

 **BOEING**
COMPONENT
MAINTENANCE MANUAL

TO: ALL HOLDERS OF FAN DUCT COWL ASSEMBLY COMPONENT MAINTENANCE
MANUAL 71-11-33

REVISION NO. 6 DATED JUL 01/04

HIGHLIGHTS

Pages which have been added or revised are outlined below together with the highlights of the revision. Remove and insert the affected pages as listed and enter Revision No. and date on the Record of Revision Sheet.

CHAPTER/SECTION

AND PAGE NO.

TR & SB RECORD

1

301

713

1002-1026S,1028M-1038C,

1038I-1040,1040K-1042Q,

1042W-1044P,1044U-1048,

1048E-1050B,1050S-1058N

10580-1058X,1059-1060P,

1060U-1062P,1062S-1062V,

1064C-1066,1066S-1074B,

1074G-10740,1074S-1074Y,

1075-1076J

DESCRIPTION OF CHANGE

Incorporated Service Bulletin 767-78A0089 which replaced the Aft Cascade Ring Assemblies 315T3204-5, -6, -7, -8 with 315T3204-21, -22.

71-11-33

HIGHLIGHTS

01.1

Page 1

Jul 01/04

FAN DUCT COWL ASSEMBLY (JT9D)

PART NUMBERS 315T3002-57 THRU -60
-89 THRU -92
-101 THRU -108
-117 THRU -136
-143 THRU -146
-149 THRU -164

COMPONENT MAINTENANCE MANUAL
WITH
ILLUSTRATED PARTS LIST

71-11-33

TITLE PAGE

Page 1

Mar 01/95

01.1



REVISION RECORD

- Retain this record in front of manual. On receipt of revision, insert revised pages in the manual, and enter revision number, date inserted and initial.

REVISION NUMBER	REVISION DATE	DATE FILED	BY	REVISION NUMBER	REVISION DATE	DATE FILED	BY



TEMPORARY REVISION AND SERVICE BULLETIN RECORD

BOEING SERVICE BULLETIN	BOEING TEMPORARY REVISION	OTHER DIRECTIVE	DATE OF INCORPORATION INTO MANUAL
767-54A27		PRR B11480-65 PRR B11639	OCT 01/90 OCT 01/90
767-78-0020		PRR B11539	OCT 01/90 OCT 01/90
767-78-0012		PRR C12332	OCT 01/90
767-78-0020-R1		PRR B11287	OCT 01/90
767-78-0074		PRR B11403	APR 01/92
767-78-0069R1		PRR B12493	MAR 01/95
767-78A0089		PRR B12900-122	MAR 01/95
767-78A0089R1		PRR B12900-122	JUL 01/04 JUL 01/04

71-11-33

TR & SB RECORD

01.1

Page 1

Jul 01/04


BOEING
 COMPONENT
 MAINTENANCE MANUAL

PAGE	DATE	CODE	PAGE	DATE	CODE
71-11-33			REPAIR-GENERAL		
			601	SEP 01/95	01.1
			602	SEP 01/95	01.101
TITLE PAGE			603	MAR 01/95	01.1
1	MAR 01/95	01.1	604	BLANK	
2	BLANK		REPAIR 1-1		
REVISION RECORD			601	OCT 01/90	01.1
1	JUL 10/86	01	602	MAR 01/95	01.1
2	BLANK		603	JUL 10/86	01
TR & SB RECORD			604	BLANK	
*1	JUL 01/04	01.1	REPAIR 2-1		
2	BLANK		601	JUL 10/86	01
LIST OF EFFECTIVE PAGES			602	BLANK	
*1	JUL 01/04	01	REPAIR 3-1		
THRU LAST PAGE			601	JUL 10/86	01
CONTENTS			602	JUL 10/86	01
1	MAR 01/95	01.1	603	JUL 10/86	01
2	BLANK		604	BLANK	
INTRODUCTION			REPAIR 4-1		
1	MAR 01/95	01.1	601	JUL 10/86	01
2	BLANK		602	JUL 10/86	01
DESCRIPTION & OPERATION			603	JUL 10/86	01
1	JUL 10/86	01	604	JUL 10/86	01
2	BLANK		605	JUL 10/86	01
DISASSEMBLY			606	BLANK	
*301	JUL 01/04	01.1	REPAIR 5-1		
302	MAR 01/95	01.1	601	OCT 01/90	01.1
CLEANING			602	JUL 10/86	01
401	JUL 10/86	01	REPAIR 6-1		
402	BLANK		601	JUL 10/86	01
CHECK			602	JUL 10/86	01
501	JUL 01/03	01.1	603	JUL 10/86	01
502	JUL 01/03	01.1	604	BLANK	

* = REVISED, ADDED OR DELETED

71-11-33

EFFECTIVE PAGES
CONTINUED Page 1
01 Jul 01/04

PAGE	DATE	CODE	PAGE	DATE	CODE
REPAIR 7-1			ASSEMBLY		CONT.
601	MAR 01/95	01.1	*713	JUL 01/04	01.1
602	JUL 10/86	01	714	MAR 01/95	01.1
603	JUL 10/86	01	715	MAR 01/95	01.1
604	BLANK		716	MAR 01/95	01.101
REPAIR 8-1			717	MAR 01/95	01.101
601	JUL 01/03	01.1	718	MAR 01/95	01.101
602	JUL 01/03	01.1	719	MAR 01/95	01.101
603	JUL 01/03	01.1	720	MAR 01/95	01.101
604	JUL 01/03	01.1	721	MAR 01/95	01.101
605	JUL 01/03	01.1	722	MAR 01/95	01.101
606	JUL 01/03	01.1	723	MAR 01/95	01.101
607	JUL 01/03	01.1	724	MAR 01/95	01.101
608	JUL 01/03	01.1	725	MAR 01/95	01.101
609	JUL 01/03	01.1	726	MAR 01/95	01.1
610	JUL 01/03	01.1	727	MAR 01/95	01.1
611	JUL 01/03	01.1	728	MAR 01/95	01.1
612	JUL 01/03	01.1	FITS AND CLEARANCES		
613	JUL 01/03	01.1	801	MAR 01/95	01.1
614	JUL 01/03	01.1	802	BLANK	
615	JUL 01/03	01.1	ILLUSTRATED PARTS LIST		
616	JUL 01/03	01.1	1001	JUL 10/86	01
617	JUL 01/03	01.1	*1002	JUL 01/04	01.1
618	BLANK		*1003	JUL 01/04	01.1
REPAIR 9-1			*1004	JUL 01/04	01.1
601	SEP 01/95	01.1	*1005	JUL 01/04	01.1
602	SEP 01/95	01.1	*1006	JUL 01/04	01.1
ASSEMBLY			*1007	JUL 01/04	01.1
701	MAR 01/95	01.1	*1008	JUL 01/04	01.1
702	JUL 10/86	01	*1009	JUL 01/04	01.1
703	JUL 10/86	01	*1010	JUL 01/04	01.1
704	JUL 10/86	01	*1011	JUL 01/04	01.1
705	JUL 10/86	01	*1012	JUL 01/04	01.1
706	JUL 10/86	01	*1013	JUL 01/04	01.1
707	JUL 10/86	01	*1014	JUL 01/04	01.1
708	JUL 10/86	01	*1015	JUL 01/04	01.1
709	JUL 10/86	01	*1016	JUL 01/04	01.1
710	JUL 10/86	01	*1017	JUL 01/04	01.1
711	JUL 10/86	01	*1018	JUL 01/04	01.1
712	MAR 01/95	01.1	*1019	JUL 01/04	01.1
			*1020	JUL 01/04	01.1

* = REVISED, ADDED OR DELETED

71-11-33

EFFECTIVE PAGES
CONTINUED Page 2
01 Jul 01/04


BOEING
 COMPONENT
 MAINTENANCE MANUAL

PAGE	DATE	CODE	PAGE	DATE	CODE
ILLUSTRATED PARTS LIST		CONT.	ILLUSTRATED PARTS LIST		CONT.
*1020A	JUL 01/04	01.1	*10220	JUL 01/04	01.1
*1020B	JUL 01/04	01.1	*1022P	JUL 01/04	01.1
*1020C	JUL 01/04	01.1	*1022Q	JUL 01/04	01.1
*1020D	JUL 01/04	01.1	*1022R	JUL 01/04	01.1
*1020E	JUL 01/04	01.1	*1022S	JUL 01/04	01.1
*1020F	JUL 01/04	01.1	*1022T	JUL 01/04	01.1
*1020G	JUL 01/04	01.1	*1022U	JUL 01/04	01.1
*1020H	JUL 01/04	01.1	*1022V	JUL 01/04	01.1
*1020I	JUL 01/04	01.1	*1022W	JUL 01/04	01.1
*1020J	JUL 01/04	01.1	*1022X	JUL 01/04	01.1
*1020K	JUL 01/04	01.1	*1022Y	JUL 01/04	01.1
*1020L	JUL 01/04	01.1	*1022Z	JUL 01/04	01.1
*1020M	JUL 01/04	01.1	*1023	JUL 01/04	01.1
*1020N	JUL 01/04	01.1	*1024	JUL 01/04	01.1
*1020O	JUL 01/04	01.1	*1024A	JUL 01/04	01.1
*1020P	JUL 01/04	01.1	*1024B	JUL 01/04	01.1
*1020Q	JUL 01/04	01.1	*1024C	JUL 01/04	01.1
*1020R	JUL 01/04	01.1	*1024D	JUL 01/04	01.1
*1020S	JUL 01/04	01.1	*1024E	JUL 01/04	01.1
*1020T	JUL 01/04	01.1	*1024F	JUL 01/04	01.1
*1020U	JUL 01/04	01.1	*1024G	JUL 01/04	01.1
*1020V	JUL 01/04	01.1	*1024H	JUL 01/04	01.1
*1020W	JUL 01/04	01.1	*1024I	JUL 01/04	01.1
*1020X	JUL 01/04	01.1	*1024J	JUL 01/04	01.1
*1020Y	JUL 01/04	01.1	*1024K	JUL 01/04	01.1
*1020Z	JUL 01/04	01.1	*1024L	JUL 01/04	01.1
*1021	JUL 01/04	01.1	*1024M	JUL 01/04	01.1
*1022	JUL 01/04	01.1	*1024N	JUL 01/04	01.1
*1022A	JUL 01/04	01.1	*1024O	JUL 01/04	01.1
*1022B	JUL 01/04	01.1	*1024P	JUL 01/04	01.1
*1022C	JUL 01/04	01.1	*1024Q	JUL 01/04	01.1
*1022D	JUL 01/04	01.1	*1024R	JUL 01/04	01.1
*1022E	JUL 01/04	01.1	*1024S	JUL 01/04	01.1
*1022F	JUL 01/04	01.1	*1024T	JUL 01/04	01.1
*1022G	JUL 01/04	01.1	*1024U	JUL 01/04	01.1
*1022H	JUL 01/04	01.1	*1024V	JUL 01/04	01.1
*1022I	JUL 01/04	01.1	*1024W	JUL 01/04	01.1
*1022J	JUL 01/04	01.1	*1024X	JUL 01/04	01.1
*1022K	JUL 01/04	01.1	*1024Y	JUL 01/04	01.1
*1022L	JUL 01/04	01.1	*1024Z	JUL 01/04	01.1
*1022M	JUL 01/04	01.1	*1025	JUL 01/04	01.1
*1022N	JUL 01/04	01.1	*1026	JUL 01/04	01.1

* = REVISED, ADDED OR DELETED

71-11-33

EFFECTIVE PAGES

CONTINUED Page 3

01 Jul 01/04

PAGE	DATE	CODE	PAGE	DATE	CODE
ILLUSTRATED PARTS LIST		CONT.	ILLUSTRATED PARTS LIST		CONT.
*1026A	JUL 01/04	01.1	*10280	JUL 01/04	01.1
*1026B	JUL 01/04	01.1	*1028P	JUL 01/04	01.1
*1026C	JUL 01/04	01.1	*1028Q	JUL 01/04	01.1
*1026D	JUL 01/04	01.1	*1028R	JUL 01/04	01.1
*1026E	JUL 01/04	01.1	*1028S	JUL 01/04	01.1
*1026F	JUL 01/04	01.1	*1028T	JUL 01/04	01.1
*1026G	JUL 01/04	01.1	*1028U	JUL 01/04	01.1
*1026H	JUL 01/04	01.1	*1028V	JUL 01/04	01.1
*1026I	JUL 01/04	01.1	*1028W	JUL 01/04	01.1
*1026J	JUL 01/04	01.1	*1028X	JUL 01/04	01.1
*1026K	JUL 01/04	01.1	*1028Y	JUL 01/04	01.1
*1026L	JUL 01/04	01.1	*1028Z	JUL 01/04	01.1
*1026M	JUL 01/04	01.1	*1029	JUL 01/04	01.1
*1026N	JUL 01/04	01.1	*1030	JUL 01/04	01.1
*1026O	JUL 01/04	01.1	*1030A	JUL 01/04	01.1
*1026P	JUL 01/04	01.1	*1030B	JUL 01/04	01.1
*1026Q	JUL 01/04	01.1	*1030C	JUL 01/04	01.1
*1026R	JUL 01/04	01.1	*1030D	JUL 01/04	01.1
*1026S	JUL 01/04	01.1	*1030E	JUL 01/04	01.1
*1026T	BLANK		*1030F	JUL 01/04	01.1
*1026U	JUL 01/04	01.1	*1030G	JUL 01/04	01.1
*1026V	JUL 01/04	01.1	*1030H	JUL 01/04	01.1
*1026W	JUL 01/04	01.1	*1030I	JUL 01/04	01.1
*1026X	JUL 01/04	01.1	*1030J	JUL 01/04	01.1
*1026Y	JUL 01/04	01.1	*1030K	JUL 01/04	01.1
*1026Z	JUL 01/04	01.1	*1030L	JUL 01/04	01.1
*1027	JUL 01/04	01.1	*1030M	JUL 01/04	01.1
*1028	JUL 01/04	01.1	*1030N	JUL 01/04	01.1
*1028A	JUL 01/04	01.1	*1030O	JUL 01/04	01.1
*1028B	JUL 01/04	01.1	*1030P	JUL 01/04	01.1
*1028C	JUL 01/04	01.1	*1030Q	JUL 01/04	01.1
*1028D	JUL 01/04	01.1	*1030R	JUL 01/04	01.1
*1028E	JUL 01/04	01.1	*1030S	JUL 01/04	01.1
*1028F	JUL 01/04	01.1	*1030T	JUL 01/04	01.1
*1028G	JUL 01/04	01.1	*1030U	JUL 01/04	01.1
*1028H	JUL 01/04	01.1	*1030V	JUL 01/04	01.1
*1028I	JUL 01/04	01.1	*1030W	JUL 01/04	01.1
*1028J	JUL 01/04	01.1	*1030X	JUL 01/04	01.1
*1028K	JUL 01/04	01.1	*1030Y	JUL 01/04	01.1
*1028L	JUL 01/04	01.1	*1030Z	JUL 01/04	01.1
*1028M	JUL 01/04	01.1	*1031	JUL 01/04	01.1
*1028N	JUL 01/04	01.1	*1032	JUL 01/04	01.1

* = REVISED, ADDED OR DELETED

71-11-33

EFFECTIVE PAGES
CONTINUED Page 4
01 Jul 01/04


BOEING
 COMPONENT
 MAINTENANCE MANUAL

PAGE	DATE	CODE	PAGE	DATE	CODE
ILLUSTRATED PARTS LIST		CONT.	ILLUSTRATED PARTS LIST		CONT.
*1032A	JUL 01/04	01.1	*10340	JUL 01/04	01.1
*1032B	JUL 01/04	01.1	*1034P	JUL 01/04	01.1
*1032C	JUL 01/04	01.1	*1034Q	JUL 01/04	01.1
*1032D	JUL 01/04	01.1	*1034R	JUL 01/04	01.1
*1032E	JUL 01/04	01.1	*1034S	JUL 01/04	01.1
*1032F	JUL 01/04	01.1	*1034T	JUL 01/04	01.1
*1032G	JUL 01/04	01.1	*1034U	JUL 01/04	01.1
*1032H	JUL 01/04	01.1	*1034V	JUL 01/04	01.1
*1032I	JUL 01/04	01.1	*1034W	JUL 01/04	01.1
*1032J	JUL 01/04	01.1	*1034X	JUL 01/04	01.1
*1032K	JUL 01/04	01.1	*1034Y	JUL 01/04	01.1
*1032L	JUL 01/04	01.1	*1034Z	JUL 01/04	01.1
*1032M	JUL 01/04	01.1	*1035	JUL 01/04	01.1
*1032N	JUL 01/04	01.1	*1036	JUL 01/04	01.1
*1032O	JUL 01/04	01.1	*1036A	JUL 01/04	01.1
*1032P	JUL 01/04	01.1	*1036B	JUL 01/04	01.1
*1032Q	JUL 01/04	01.1	*1036C	JUL 01/04	01.1
*1032R	JUL 01/04	01.1	*1036D	JUL 01/04	01.1
*1032S	JUL 01/04	01.1	*1036E	JUL 01/04	01.1
*1032T	JUL 01/04	01.1	*1036F	JUL 01/04	01.1
*1032U	JUL 01/04	01.1	*1036G	JUL 01/04	01.1
*1032V	JUL 01/04	01.1	*1036H	JUL 01/04	01.1
*1032W	JUL 01/04	01.1	*1036I	JUL 01/04	01.1
*1032X	JUL 01/04	01.1	*1036J	JUL 01/04	01.1
*1032Y	JUL 01/04	01.1	*1036K	JUL 01/04	01.1
*1032Z	JUL 01/04	01.1	*1036L	JUL 01/04	01.1
*1033	JUL 01/04	01.1	*1036M	JUL 01/04	01.1
*1034	JUL 01/04	01.1	*1036N	JUL 01/04	01.1
*1034A	JUL 01/04	01.1	*1036O	JUL 01/04	01.1
*1034B	JUL 01/04	01.1	*1036P	JUL 01/04	01.1
*1034C	JUL 01/04	01.1	*1036Q	JUL 01/04	01.1
*1034D	JUL 01/04	01.1	*1036R	JUL 01/04	01.1
*1034E	JUL 01/04	01.1	*1036S	JUL 01/04	01.1
*1034F	JUL 01/04	01.1	*1036T	JUL 01/04	01.1
*1034G	JUL 01/04	01.1	*1036U	JUL 01/04	01.1
*1034H	JUL 01/04	01.1	*1036V	JUL 01/04	01.1
*1034I	JUL 01/04	01.1	*1036W	JUL 01/04	01.1
*1034J	JUL 01/04	01.1	*1036X	JUL 01/04	01.1
*1034K	JUL 01/04	01.1	*1036Y	JUL 01/04	01.1
*1034L	JUL 01/04	01.1	*1036Z	JUL 01/04	01.1
*1034M	JUL 01/04	01.1	*1037	JUL 01/04	01.1
*1034N	JUL 01/04	01.1	*1038	JUL 01/04	01.1

* = REVISED, ADDED OR DELETED

71-11-33

EFFECTIVE PAGES

CONTINUED Page 5

01 Jul 01/04

PAGE	DATE	CODE	PAGE	DATE	CODE
ILLUSTRATED	PARTS LIST	CONT.	ILLUSTRATED	PARTS LIST	CONT.
*1038A	JUL 01/04	01.1	*10400	JUL 01/04	01.1
*1038B	JUL 01/04	01.1	*1040P	JUL 01/04	01.1
*1038C	JUL 01/04	01.1	*1040Q	JUL 01/04	01.1
*1038D	BLANK		*1040R	JUL 01/04	01.1
*1038E	JUL 01/04	01.1	*1040S	JUL 01/04	01.1
*1038F	JUL 01/04	01.1	*1040T	JUL 01/04	01.1
*1038G	JUL 01/04	01.1	*1040U	JUL 01/04	01.1
*1038H	JUL 01/04	01.1	*1040V	JUL 01/04	01.1
*1038I	JUL 01/04	01.1	*1040W	JUL 01/04	01.1
*1038J	JUL 01/04	01.1	*1040X	JUL 01/04	01.1
*1038K	JUL 01/04	01.1	*1040Y	JUL 01/04	01.1
*1038L	JUL 01/04	01.1	*1040Z	JUL 01/04	01.1
*1038M	JUL 01/04	01.1	*1041	JUL 01/04	01.1
*1038N	JUL 01/04	01.1	*1042	JUL 01/04	01.1
*1038O	JUL 01/04	01.1	*1042A	JUL 01/04	01.1
*1038P	JUL 01/04	01.1	*1042B	JUL 01/04	01.1
*1038Q	JUL 01/04	01.1	*1042C	JUL 01/04	01.1
*1038R	JUL 01/04	01.1	*1042D	JUL 01/04	01.1
*1038S	JUL 01/04	01.1	*1042E	JUL 01/04	01.1
*1038T	JUL 01/04	01.1	*1042F	JUL 01/04	01.1
*1038U	JUL 01/04	01.1	*1042G	JUL 01/04	01.1
*1038V	JUL 01/04	01.1	*1042H	JUL 01/04	01.1
*1038W	JUL 01/04	01.1	*1042I	JUL 01/04	01.1
*1038X	JUL 01/04	01.1	*1042J	JUL 01/04	01.1
*1038Y	JUL 01/04	01.1	*1042K	JUL 01/04	01.1
*1038Z	JUL 01/04	01.1	*1042L	JUL 01/04	01.1
*1039	JUL 01/04	01.1	*1042M	JUL 01/04	01.1
*1040	JUL 01/04	01.1	*1042N	JUL 01/04	01.1
*1040A	JUL 01/04	01.1	*1042O	JUL 01/04	01.1
*1040B	JUL 01/04	01.1	*1042P	JUL 01/04	01.1
*1040C	JUL 01/04	01.1	*1042Q	JUL 01/04	01.1
*1040D	JUL 01/04	01.1	*1042R	JUL 01/04	01.1
*1040E	JUL 01/04	01.1	*1042S	JUL 01/04	01.1
*1040F	JUL 01/04	01.1	*1042T	JUL 01/04	01.1
*1040G	JUL 01/04	01.1	*1042U	JUL 01/04	01.1
*1040H	JUL 01/04	01.1	*1042V	JUL 01/04	01.1
*1040I	JUL 01/04	01.1	*1042W	JUL 01/04	01.1
*1040J	JUL 01/04	01.1	*1042X	JUL 01/04	01.1
*1040K	JUL 01/04	01.1	*1042Y	JUL 01/04	01.1
*1040L	JUL 01/04	01.1	*1042Z	JUL 01/04	01.1
*1040M	JUL 01/04	01.1	*1043	JUL 01/04	01.1
*1040N	JUL 01/04	01.1	*1044	JUL 01/04	01.1

* = REVISED, ADDED OR DELETED

71-11-33

EFFECTIVE PAGES
 CONTINUED Page 6
 01 Jul 01/04


BOEING
 COMPONENT
 MAINTENANCE MANUAL

PAGE	DATE	CODE	PAGE	DATE	CODE
ILLUSTRATED PARTS LIST		CONT.	ILLUSTRATED PARTS LIST		CONT.
*1044A	JUL 01/04	01.1	*10460	JUL 01/04	01.1
*1044B	JUL 01/04	01.1	*1046P	JUL 01/04	01.1
*1044C	JUL 01/04	01.1	*1046Q	JUL 01/04	01.1
*1044D	JUL 01/04	01.1	*1046R	JUL 01/04	01.1
*1044E	JUL 01/04	01.1	*1046S	JUL 01/04	01.1
*1044F	JUL 01/04	01.1	*1046T	JUL 01/04	01.1
*1044G	JUL 01/04	01.1	*1046U	JUL 01/04	01.1
*1044H	JUL 01/04	01.1	*1046V	JUL 01/04	01.1
*1044I	JUL 01/04	01.1	*1046W	JUL 01/04	01.1
*1044J	JUL 01/04	01.1	*1046X	JUL 01/04	01.1
*1044K	JUL 01/04	01.1	*1046Y	JUL 01/04	01.1
*1044L	JUL 01/04	01.1	*1046Z	JUL 01/04	01.1
*1044M	JUL 01/04	01.1	*1047	JUL 01/04	01.1
*1044N	JUL 01/04	01.1	*1048	JUL 01/04	01.1
*1044O	JUL 01/04	01.1	*1048A	BLANK	
*1044P	JUL 01/04	01.1	*1048B	JUL 01/04	01.1
*1044Q	JUL 01/04	01.1	*1048C	JUL 01/04	01.1
*1044R	JUL 01/04	01.1	*1048D	JUL 01/04	01.1
*1044S	JUL 01/04	01.1	*1048E	JUL 01/04	01.1
*1044T	JUL 01/04	01.1	*1048F	JUL 01/04	01.1
*1044U	JUL 01/04	01.1	*1048G	JUL 01/04	01.1
*1044V	JUL 01/04	01.1	*1048H	JUL 01/04	01.1
*1044W	JUL 01/04	01.1	*1048I	JUL 01/04	01.1
*1044X	JUL 01/04	01.1	*1048J	JUL 01/04	01.1
*1044Y	JUL 01/04	01.1	*1048K	JUL 01/04	01.1
*1044Z	JUL 01/04	01.1	*1048L	JUL 01/04	01.1
*1045	JUL 01/04	01.1	*1048M	JUL 01/04	01.1
*1046	JUL 01/04	01.1	*1048N	JUL 01/04	01.1
*1046A	JUL 01/04	01.1	*1048O	JUL 01/04	01.1
*1046B	JUL 01/04	01.1	*1048P	JUL 01/04	01.1
*1046C	JUL 01/04	01.1	*1048Q	JUL 01/04	01.1
*1046D	JUL 01/04	01.1	*1048R	JUL 01/04	01.1
*1046E	JUL 01/04	01.1	*1048S	JUL 01/04	01.1
*1046F	JUL 01/04	01.1	*1048T	JUL 01/04	01.1
*1046G	JUL 01/04	01.1	*1048U	JUL 01/04	01.1
*1046H	JUL 01/04	01.1	*1048V	JUL 01/04	01.1
*1046I	JUL 01/04	01.1	*1048W	JUL 01/04	01.1
*1046J	JUL 01/04	01.1	*1048X	JUL 01/04	01.1
*1046K	JUL 01/04	01.1	*1048Y	JUL 01/04	01.1
*1046L	JUL 01/04	01.1	*1048Z	JUL 01/04	01.1
*1046M	JUL 01/04	01.1	*1049	JUL 01/04	01.1
*1046N	JUL 01/04	01.1	*1050	JUL 01/04	01.1

* = REVISED, ADDED OR DELETED

71-11-33

EFFECTIVE PAGES
CONTINUED Page 7
01 Jul 01/04

PAGE	DATE	CODE	PAGE	DATE	CODE
ILLUSTRATED PARTS LIST		CONT.	ILLUSTRATED PARTS LIST		CONT.
*1050A	JUL 01/04	01.1	*10520	JUL 01/04	01.1
*1050B	JUL 01/04	01.1	*1052P	JUL 01/04	01.1
*1050C	BLANK		*1052Q	JUL 01/04	01.1
*1050D	JUL 01/04	01.1	*1052R	JUL 01/04	01.1
*1050E	JUL 01/04	01.1	*1052S	JUL 01/04	01.1
*1050F	JUL 01/04	01.1	*1052T	JUL 01/04	01.1
*1050G	JUL 01/04	01.1	*1052U	JUL 01/04	01.1
*1050H	JUL 01/04	01.1	*1052V	JUL 01/04	01.1
*1050I	JUL 01/04	01.1	*1052W	JUL 01/04	01.1
*1050J	JUL 01/04	01.1	*1052X	JUL 01/04	01.1
*1050K	JUL 01/04	01.1	*1052Y	JUL 01/04	01.1
*1050L	JUL 01/04	01.1	*1052Z	JUL 01/04	01.1
*1050M	JUL 01/04	01.1	*1053	JUL 01/04	01.1
*1050N	JUL 01/04	01.1	*1054	JUL 01/04	01.1
*1050O	JUL 01/04	01.1	*1054A	JUL 01/04	01.1
*1050P	JUL 01/04	01.1	*1054B	JUL 01/04	01.1
*1050Q	JUL 01/04	01.1	*1054C	JUL 01/04	01.1
*1050R	JUL 01/04	01.1	*1054D	JUL 01/04	01.1
*1050S	JUL 01/04	01.1	*1054E	JUL 01/04	01.1
*1050T	JUL 01/04	01.1	*1054F	JUL 01/04	01.1
*1050U	JUL 01/04	01.1	*1054G	JUL 01/04	01.1
*1050V	JUL 01/04	01.1	*1054H	JUL 01/04	01.1
*1050W	JUL 01/04	01.1	*1054I	JUL 01/04	01.1
*1050X	JUL 01/04	01.1	*1054J	JUL 01/04	01.1
*1050Y	JUL 01/04	01.1	*1054K	JUL 01/04	01.1
*1050Z	JUL 01/04	01.1	*1054L	JUL 01/04	01.1
*1051	JUL 01/04	01.1	*1054M	JUL 01/04	01.1
*1052	JUL 01/04	01.1	*1054N	JUL 01/04	01.1
*1052A	JUL 01/04	01.1	*1054O	JUL 01/04	01.1
*1052B	JUL 01/04	01.1	*1054P	JUL 01/04	01.1
*1052C	JUL 01/04	01.1	*1054Q	JUL 01/04	01.1
*1052D	JUL 01/04	01.1	*1054R	JUL 01/04	01.1
*1052E	JUL 01/04	01.1	*1054S	JUL 01/04	01.1
*1052F	JUL 01/04	01.1	*1054T	JUL 01/04	01.1
*1052G	JUL 01/04	01.1	*1054U	JUL 01/04	01.1
*1052H	JUL 01/04	01.1	*1054V	JUL 01/04	01.1
*1052I	JUL 01/04	01.1	*1054W	JUL 01/04	01.1
*1052J	JUL 01/04	01.1	*1054X	JUL 01/04	01.1
*1052K	JUL 01/04	01.1	*1054Y	JUL 01/04	01.1
*1052L	JUL 01/04	01.1	*1054Z	JUL 01/04	01.1
*1052M	JUL 01/04	01.1	*1055	JUL 01/04	01.1
*1052N	JUL 01/04	01.1	*1056	JUL 01/04	01.1

* = REVISED, ADDED OR DELETED

71-11-33

EFFECTIVE PAGES
CONTINUED Page 8
01 Jul 01/04


BOEING
 COMPONENT
 MAINTENANCE MANUAL

PAGE	DATE	CODE	PAGE	DATE	CODE
ILLUSTRATED PARTS LIST		CONT.	ILLUSTRATED PARTS LIST		CONT.
*1056A	JUL 01/04	01.1	*10580	JUL 01/04	01.1
*1056B	JUL 01/04	01.1	*1058P	JUL 01/04	01.1
*1056C	JUL 01/04	01.1	*1058Q	JUL 01/04	01.1
*1056D	JUL 01/04	01.1	*1058R	JUL 01/04	01.1
*1056E	JUL 01/04	01.1	*1058S	JUL 01/04	01.1
*1056F	JUL 01/04	01.1	*1058T	JUL 01/04	01.1
*1056G	JUL 01/04	01.1	*1058U	JUL 01/04	01.1
*1056H	JUL 01/04	01.1	*1058V	JUL 01/04	01.1
*1056I	JUL 01/04	01.1	*1058W	JUL 01/04	01.1
*1056J	JUL 01/04	01.1	*1058X	JUL 01/04	01.1
*1056K	JUL 01/04	01.1	*1058Y	JUL 01/04	01.1
*1056L	JUL 01/04	01.1	*1058Z	JUL 01/04	01.1
*1056M	JUL 01/04	01.1	*1059	JUL 01/04	01.1
*1056N	JUL 01/04	01.1	*1060	JUL 01/04	01.1
*1056O	JUL 01/04	01.1	*1060A	JUL 01/04	01.1
*1056P	JUL 01/04	01.1	*1060B	JUL 01/04	01.1
*1056Q	JUL 01/04	01.1	*1060C	JUL 01/04	01.1
*1056R	JUL 01/04	01.1	*1060D	JUL 01/04	01.1
*1056S	JUL 01/04	01.1	*1060E	JUL 01/04	01.1
*1056T	JUL 01/04	01.1	*1060F	JUL 01/04	01.1
*1056U	JUL 01/04	01.1	*1060G	JUL 01/04	01.1
*1056V	JUL 01/04	01.1	*1060H	JUL 01/04	01.1
*1056W	JUL 01/04	01.1	*1060I	JUL 01/04	01.1
*1056X	JUL 01/04	01.1	*1060J	JUL 01/04	01.1
*1056Y	JUL 01/04	01.1	*1060K	JUL 01/04	01.1
*1056Z	JUL 01/04	01.1	*1060L	JUL 01/04	01.1
*1057	JUL 01/04	01.1	*1060M	JUL 01/04	01.1
*1058	JUL 01/04	01.1	*1060N	JUL 01/04	01.1
*1058A	JUL 01/04	01.1	*1060O	JUL 01/04	01.1
*1058B	JUL 01/04	01.1	*1060P	JUL 01/04	01.1
*1058C	JUL 01/04	01.1	*1060Q	BLANK	
*1058D	JUL 01/04	01.1	*1060R	JUL 01/04	01.1
*1058E	JUL 01/04	01.1	*1060S	JUL 01/04	01.1
*1058F	JUL 01/04	01.1	*1060T	JUL 01/04	01.1
*1058G	JUL 01/04	01.1	*1060U	JUL 01/04	01.1
*1058H	JUL 01/04	01.1	*1060V	JUL 01/04	01.1
*1058I	JUL 01/04	01.1	*1060W	JUL 01/04	01.1
*1058J	JUL 01/04	01.1	*1060X	JUL 01/04	01.1
*1058K	JUL 01/04	01.1	*1060Y	JUL 01/04	01.1
*1058L	JUL 01/04	01.1	*1060Z	JUL 01/04	01.1
*1058M	JUL 01/04	01.1	*1061	JUL 01/04	01.1
*1058N	JUL 01/04	01.1	*1062	JUL 01/04	01.1

* = REVISED, ADDED OR DELETED

71-11-33

EFFECTIVE PAGES

CONTINUED Page 9

01 Jul 01/04

PAGE	DATE	CODE	PAGE	DATE	CODE
ILLUSTRATED PARTS LIST		CONT.	ILLUSTRATED PARTS LIST		CONT.
*1062A	JUL 01/04	01.1	*10640	JUL 01/04	01.1
*1062B	JUL 01/04	01.1	*1064P	JUL 01/04	01.1
*1062C	JUL 01/04	01.1	*1064Q	JUL 01/04	01.1
*1062D	JUL 01/04	01.1	*1064R	JUL 01/04	01.1
*1062E	JUL 01/04	01.1	*1064S	JUL 01/04	01.1
*1062F	JUL 01/04	01.1	*1064T	JUL 01/04	01.1
*1062G	JUL 01/04	01.1	*1064U	JUL 01/04	01.1
*1062H	JUL 01/04	01.1	*1064V	JUL 01/04	01.1
*1062I	JUL 01/04	01.1	*1064W	JUL 01/04	01.1
*1062J	JUL 01/04	01.1	*1064X	JUL 01/04	01.1
*1062K	JUL 01/04	01.1	*1064Y	JUL 01/04	01.1
*1062L	JUL 01/04	01.1	*1064Z	JUL 01/04	01.1
*1062M	JUL 01/04	01.1	*1065	JUL 01/04	01.1
*1062N	JUL 01/04	01.1	*1066	JUL 01/04	01.1
*1062O	JUL 01/04	01.1	*1066A	JUL 01/04	01.1
*1062P	JUL 01/04	01.1	*1066B	JUL 01/04	01.1
*1062Q	BLANK		*1066C	JUL 01/04	01.1
*1062R	JUL 01/04	01.1	*1066D	JUL 01/04	01.1
*1062S	JUL 01/04	01.1	*1066E	JUL 01/04	01.1
*1062T	JUL 01/04	01.1	*1066F	JUL 01/04	01.1
*1062U	JUL 01/04	01.1	*1066G	JUL 01/04	01.1
*1062V	JUL 01/04	01.1	*1066H	JUL 01/04	01.1
*1062W	BLANK		*1066I	JUL 01/04	01.1
*1062X	JUL 01/04	01.1	*1066J	JUL 01/04	01.1
*1062Y	JUL 01/04	01.1	*1066K	JUL 01/04	01.1
*1062Z	JUL 01/04	01.1	*1066L	JUL 01/04	01.1
*1063	JUL 01/04	01.1	*1066M	JUL 01/04	01.1
*1064	JUL 01/04	01.1	*1066N	JUL 01/04	01.1
*1064A	JUL 01/04	01.1	*1066O	JUL 01/04	01.1
*1064B	JUL 01/04	01.1	*1066P	JUL 01/04	01.1
*1064C	JUL 01/04	01.1	*1066Q	JUL 01/04	01.1
*1064D	JUL 01/04	01.1	*1066R	JUL 01/04	01.1
*1064E	JUL 01/04	01.1	*1066S	JUL 01/04	01.1
*1064F	JUL 01/04	01.1	*1066T	JUL 01/04	01.1
*1064G	JUL 01/04	01.1	*1066U	JUL 01/04	01.1
*1064H	JUL 01/04	01.1	*1066V	JUL 01/04	01.1
*1064I	JUL 01/04	01.1	*1066W	JUL 01/04	01.1
*1064J	JUL 01/04	01.1	*1066X	JUL 01/04	01.1
*1064K	JUL 01/04	01.1	*1066Y	JUL 01/04	01.1
*1064L	JUL 01/04	01.1	*1066Z	JUL 01/04	01.1
*1064M	JUL 01/04	01.1	*1067	JUL 01/04	01.1
*1064N	JUL 01/04	01.1	*1068	JUL 01/04	01.1

* = REVISED, ADDED OR DELETED

71-11-33

EFFECTIVE PAGES
CONTINUED Page 10
01 Jul 01/04


BOEING
 COMPONENT
 MAINTENANCE MANUAL

PAGE	DATE	CODE	PAGE	DATE	CODE
ILLUSTRATED PARTS LIST		CONT.	ILLUSTRATED PARTS LIST		CONT.
*1068A	JUL 01/04	01.1	*10700	JUL 01/04	01.1
*1068B	JUL 01/04	01.1	*1070P	JUL 01/04	01.1
*1068C	JUL 01/04	01.1	*1070Q	JUL 01/04	01.1
*1068D	JUL 01/04	01.1	*1070R	JUL 01/04	01.1
*1068E	JUL 01/04	01.1	*1070S	JUL 01/04	01.1
*1068F	JUL 01/04	01.1	*1070T	JUL 01/04	01.1
*1068G	JUL 01/04	01.1	*1070U	JUL 01/04	01.1
*1068H	JUL 01/04	01.1	*1070V	JUL 01/04	01.1
*1068I	JUL 01/04	01.1	*1070W	JUL 01/04	01.1
*1068J	JUL 01/04	01.1	*1070X	JUL 01/04	01.1
*1068K	JUL 01/04	01.1	*1070Y	JUL 01/04	01.1
*1068L	JUL 01/04	01.1	*1070Z	JUL 01/04	01.1
*1068M	JUL 01/04	01.1	*1071	JUL 01/04	01.1
*1068N	JUL 01/04	01.1	*1072	JUL 01/04	01.1
*1068O	JUL 01/04	01.1	*1072A	JUL 01/04	01.1
*1068P	JUL 01/04	01.1	*1072B	JUL 01/04	01.1
*1068Q	JUL 01/04	01.1	*1072C	JUL 01/04	01.1
*1068R	JUL 01/04	01.1	*1072D	JUL 01/04	01.1
*1068S	JUL 01/04	01.1	*1072E	JUL 01/04	01.1
*1068T	JUL 01/04	01.1	*1072F	JUL 01/04	01.1
*1068U	JUL 01/04	01.1	*1072G	JUL 01/04	01.1
*1068V	JUL 01/04	01.1	*1072H	JUL 01/04	01.1
*1068W	JUL 01/04	01.1	*1072I	JUL 01/04	01.1
*1068X	JUL 01/04	01.1	*1072J	JUL 01/04	01.1
*1068Y	JUL 01/04	01.1	*1072K	JUL 01/04	01.1
*1068Z	JUL 01/04	01.1	*1072L	JUL 01/04	01.1
*1069	JUL 01/04	01.1	*1072M	JUL 01/04	01.1
*1070	JUL 01/04	01.1	*1072N	JUL 01/04	01.1
*1070A	JUL 01/04	01.1	*1072O	JUL 01/04	01.1
*1070B	JUL 01/04	01.1	*1072P	JUL 01/04	01.1
*1070C	JUL 01/04	01.1	*1072Q	JUL 01/04	01.1
*1070D	JUL 01/04	01.1	*1072R	JUL 01/04	01.1
*1070E	JUL 01/04	01.1	*1072S	JUL 01/04	01.1
*1070F	JUL 01/04	01.1	*1072T	JUL 01/04	01.1
*1070G	JUL 01/04	01.1	*1072U	JUL 01/04	01.1
*1070H	JUL 01/04	01.1	*1072V	JUL 01/04	01.1
*1070I	JUL 01/04	01.1	*1072W	JUL 01/04	01.1
*1070J	JUL 01/04	01.1	*1072X	JUL 01/04	01.1
*1070K	JUL 01/04	01.1	*1072Y	JUL 01/04	01.1
*1070L	JUL 01/04	01.1	*1072Z	JUL 01/04	01.1
*1070M	JUL 01/04	01.1	*1073	JUL 01/04	01.1
*1070N	JUL 01/04	01.1	*1074	JUL 01/04	01.1

* = REVISED, ADDED OR DELETED

71-11-33

EFFECTIVE PAGES

CONTINUED Page 11

01 Jul 01/04

PAGE	DATE	CODE	PAGE	DATE	CODE
ILLUSTRATED PARTS LIST		CONT.			
*1074A	JUL 01/04	01.1			
*1074B	JUL 01/04	01.1			
*1074C	BLANK				
*1074D	JUL 01/04	01.1			
*1074E	JUL 01/04	01.1			
*1074F	JUL 01/04	01.1			
*1074G	JUL 01/04	01.1			
*1074H	JUL 01/04	01.1			
*1074I	JUL 01/04	01.1			
*1074J	JUL 01/04	01.1			
*1074K	JUL 01/04	01.1			
*1074L	JUL 01/04	01.1			
*1074M	JUL 01/04	01.1			
*1074N	JUL 01/04	01.1			
*1074O	JUL 01/04	01.1			
*1074P	JUL 01/04	01.1			
*1074Q	JUL 01/04	01.1			
*1074R	JUL 01/04	01.1			
*1074S	JUL 01/04	01.1			
*1074T	JUL 01/04	01.1			
*1074U	JUL 01/04	01.1			
*1074V	JUL 01/04	01.1			
*1074W	JUL 01/04	01.1			
*1074X	JUL 01/04	01.1			
*1074Y	JUL 01/04	01.1			
*1074Z	BLANK				
*1075	JUL 01/04	01.1			
*1076	JUL 01/04	01.1			
*1076A	JUL 01/04	01.1			
*1076B	JUL 01/04	01.1			
*1076C	JUL 01/04	01.1			
*1076D	JUL 01/04	01.1			
*1076E	JUL 01/04	01.1			
*1076F	JUL 01/04	01.1			
*1076G	JUL 01/04	01.1			
*1076H	JUL 01/04	01.1			
*1076I	JUL 01/04	01.1			
*1076J	JUL 01/04	01.1			

* = REVISED, ADDED OR DELETED

71-11-33

EFFECTIVE PAGES
 LAST PAGE Page 12
 01 Jul 01/04



TABLE OF CONTENTS

<u>Paragraph Title</u>	<u>Page</u>
Description and Operation	1
Testing and Trouble Shooting (not applicable)	
Disassembly	301
Cleaning.	401
Check	501
Repair.	601
Assembly.	701
 Fits and Clearances.	801
Special Tools (not applicable)	
Illustrated Parts List.	1001

71-11-33

CONTENTS

01.1

Page 1

Mar 01/95



INTRODUCTION

The instructions in this manual provide the information necessary to perform maintenance functions ranging from simple checks and replacement to complete shop-type repair.

This manual is divided into separate sections:

- | | |
|--|------------------------------|
| 1. Title Page | 4. List of Effective Pages |
| 2. Record of Revisions | 5. Table of Contents |
| 3. Temporary Revision &
Service Bulletin Record | 6. Introduction |
| | 7. Procedures & IPL Sections |

Refer to the Table of Contents for the page location of applicable sections. An asterisked flagnote *[] in place of the page number indicates that no special instructions are provided since the function can be performed using standard industry practices.

The beginning of the REPAIR section includes a list of the separate repairs, a list of applicable standard Boeing practices, and an explanation of the True Position Dimensioning symbols used.

An explanation of the use of the Illustrated Parts List is provided in the Introduction to that section.

All weights and measurements used in the manual are in English units, unless otherwise stated. When metric equivalents are given they will be in parentheses following the English units.

Design changes, optional parts, configuration differences and Service Bulletin modifications create alternate part numbers. These are identified in the Illustrated Parts List (IPL) by adding an alphabetical character to the basic item number. The resulting item number is called an alpha-variant. Throughout the manual, IPL basic item number references also apply to alpha-variants unless otherwise indicated.

Verification:

Disassembly : 27 JUN 87

Assembly: 27 JUN 87

71-11-33

INTRODUCTION

01.1

Page 1

Mar 01/95



FAN DUCT COWL ASSEMBLY

DESCRIPTION AND OPERATION

1. Description and Operation

A. The Fan Duct Cowl Assembly provides a pathway for bypass air from the fan, as well as a support structure for the thrust reverser. The cowl assembly is comprised of an inner wall assembly and an outer wall held together by upper and lower bifurcation installations. The outer wall is comprised of a ring assembly and a torque box installation held together by nine cascade assemblies. The cascade assemblies reverse the direction of the bypass air when the thrust reverser is activated.

2. Leading Particulars (approximate)

Diameter -- 106 inches

Width -- 66 inches

Weight -- 729 pounds (L.H. side)

758 pounds (R.H. side)

71-11-33

DESCRIPTION & OPERATION

01

Page 1

Jul 10/86

DISASSEMBLY

NOTE: Disassemble this component only as necessary to complete fault isolation, determine the serviceability of parts, perform required repairs, and restore the unit to serviceable condition.

1. Use standard industry practices for disassembly of this component , except for the following additional procedure.

2. Disassembly

A. Disassemble fan duct cowl assembly (1, 1A, 1B, 1C, 5, 5A, 5B, 5C, 10, 10A, 10B, 10C, 15, 15A, 15B, 15C, IPL Fig. 1) as follows:

(1) Remove cascade assemblies (28, 28A, 30, 30A, 60, 60A, 63, 63A, 66, 66A, 68, 68A, 97, 97A, 100, 100A, 103, 103A, 106, 106A, 139, 139A, 142, 142A, 175, 175A, 178, 178A, 208, 208A, 211, 211A, 241, 241A, 244, 244A, 247, 247A, 250, 250A).

(2) Remove ring assemblies (806, 806A, 808, 808A).

(3) Remove fillet fairings (283, 626, 718, 720).

(4) Remove lower bifurcation assembly (764, 766).

(5) Remove zone ventilation system (286, 373, 377)

(6) Remove duct assembly (940, 952).

(7) Remove drain tube installation (642)

(8) Remove inlet precooler installation (986).

B. Disassemble fan duct cowl assembly (1, 3, 5, 7, IPL Fig. 12) as follows:

(1) Remove cascade assemblies (9, 11, 31, 33, 51, 53, 55, 57, 77, 79, 99, 101, 121, 139, 141, 143, 145).

- | (2) Remove ring assemblies (691, 693, 749, 751, 753, 755).
- | (3) Remove fillet fairings (177, 519, 605, 607).
- | (4) Remove lower bifurcation assembly (169, 651).
- | (5) Remove zone ventilation system (189).
- | (6) Remove duct assembly (237, 239).
- | (7) Remove drain tube installation (527).
- | (8) Remove inlet precooler installation (867).

71-11-33

DISASSEMBLY

01.1

Page 302

Mar 01/95



CLEANING

CAUTION: DO NOT VAPOR DEGREASE GRAPHITE/ARAMID EPOXY STRUCTURES WITH CHLORINATED CLEANING AGENTS SUCH AS METHYLENE CHLORIDE, TRICHLOROETHYLENE, AND TRICHLOROETHANE. CHLORINATED CLEANING AGENTS WILL CAUSE DAMAGE TO GRAPHITE/ARAMID EPOXY STRUCTURES.

1,1,1-TRICHLOROETHANE IS ONE OF THE SOLVENTS ALLOWED FOR CLEANING COMPOSITE COMPONENTS. DO NOT SUBMERGE PARTS IN THE SOLVENT OR ALLOW STANDING SOLVENT ON THE PARTS OR DAMAGE MAY OCCUR. USE 1,1,1-TRICHLOROETHANE ONLY AS A WIPE SOLVENT.

1. Clean all parts in accordance with standard industry practices (Ref 20-30-03) except for graphite/aramid epoxy structures.

71-11-33

01

CLEANING
Page 401
Jul 10/86

CHECK

1. Check all parts for obvious defects per standard industry practices.
- | 2. Magnetic particle check the following per SOPM 20-20-01:
 - | A. Retainer (370, IPL Fig. 3)
 - | B. Retainer (175A, IPL Fig. 5)
 - | C. Pins (243, IPL Fig. 7)
 - | D. Retainer (45, IPL Fig. 14)
 - | E. Pin (50, IPL Fig. 14)
 - | F. Liner (70, IPL Fig. 14)
- | 3. Penetrant check the following per SOPM 20-20-02:
 - | A. Pads (802, 804, IPL Fig. 1; 687, 689, IPL Fig. 12)
 - | B. Liners (30, 35, IPL Fig. 5), fittings (60, 65), retainer (155), and pads (390, 390A, 395, 395A, 445, 450, 505, 510)
 - | C. Fittings (100, 102, 105, 107, 470, 475, IPL Fig. 3) and brackets (195, 220)
 - | D. Retainer (138, IPL Fig. 7), track (162, 165), liners (192, 195), bolts (249, 375), fittings (360A, 360B, 657), brackets (708), rod (744), and spring (747)
 - | E. Brackets (185, 190, IPL Fig. 9)

71-11-3301.1
Page 501
Jul 01/03

- F. Retainer (25, IPL Fig. 14)
- G. Track (75, IPL Fig. 14)
- 4. Do a check for cracks, corrosion, or missing potting and sealant at the ends of the panel.
- 5. Do a check of the honeycomb structure and bonded parts for evidence of delamination, internal water, scratches, and contour defects.
 - A. If you see delamination or impact damage when you do a visual check, do an ultrasonic inspection or a tap test to find all damage. Refer to the 767 Nondestructive Test Manuals, Part 4, 51-00-02 or Part 1, 51-05-01.

NOTE: For the tap test, use a solid metal disk and tap the surface area lightly but firmly. The void areas will produce a dull sound as opposed to a sharp sound on a solid bonded area. Refer to the 767 Nondestructive Test Manuals, Part 1, 51-05-01.
 - B. Do a check on areas you suspect of containing water with the radiographic or thermographic method. Refer to 767 Nondestructive Test Manuals, Part 9, 51-00-01.
 - C. Do a check on the edges of the panel carefully for cuts and abrasions. Delamination starts very easily from damage to an edge member of honeycomb panel.
- 6. Refer to the applicable 767 Structural Repair Manual, 54-30-XX for allowable damage and repair data.

71-11-33

CHECK
01.1 Page 502
Jul 01/03

REPAIR GENERAL1. Content

- A. Repair, refinish, and replacement procedures, as applicable, are included in separate repair sections as follows:

<u>P/N</u>	<u>NAME</u>	<u>REPAIR</u>
315T3303	FITTING ASSY	1-1
315T3308	ATTACH ASSY	2-1
315T3314	FITTING ASSY	3-1
315T3403	LATCH FITTING ASSY	4-1
315T3413	FITTING ASSY	5-1
315T3634	FITTING ASSY	6-1
315T3210, 315T3212, 315T3214, 315T3259, 315T3262, 315T4210, 315T4212, 315T4259, 315T4262	CASCADE ASSY	7-1
--	MISCELLANEOUS PARTS	8-1
315T3554	COWL CATCH	9-1

2. Standard Practices

- A. Refer to the following standard practices, as applicable, for details of procedures in individual repairs.
- 20-30-02 Stripping of Protective Finishes
 - 20-30-03 General Cleaning Procedures
 - 20-41-01 Decoding Table for Boeing Finish Codes
 - 20-41-02 Application of Chemical and Solvent Resistant Finishes
 - 20-42-05 Bright Cadmium Plating
 - 20-42-09 Electrodeposited Nickel Plating
 - 20-43-01 Chromic Acid Anodize
 - 20-43-02 Anodizing of Magnesium Alloys (DOW 19)
 - 20-44-01 Application of Abrasion Resistant Finishes
 - 20-50-03 Bearing Installation and Retention
 - 20-50-08 Application of Dry Lubricant

3. Materials

NOTE: Equivalent substitutes may be used.

71-11-33

REPAIR-GENERAL

01.1

Page 601

Sep 01/95

- A. Coating, Ablative -- MA-25S (Ref 20-60-04), (Ref CMM 71-00-01)
- B. DELETED
- C. Enamel -- BMS 10-60, type 2, BAC707 gray gloss (Ref 20-60-02)
-- BMS 10-60, type 2, gloss (Ref 20-60-02)
- D. Lubricant, Dry Film -- BMS 3-8, class A (Ref 20-60-03)
- E. Paint, Teflon Filled -- BMS 10-86, type 1, white (Ref 20-60-02)
- F. Plating, Nickel -- BMS 10-36, type 2 (Ref 20-60-02)
- G. Primer -- BMS 10-11, type 1 (Ref 20-60-02)
-- BMS 10-79, type 2 (Ref 20-60-02)
-- DeSoto high temperature polyurethane (Ref 20-60-02)
- H. Sealant -- BMS 5-26 (Ref 20-60-04)
- I. DELETED
- J. Coating, Insulative -- Crown-Metro (Ref 20-60-04)

4. Dimensioning Symbols

- A. Standard True Position Dimensioning Symbols used in applicable repair procedures are shown in Fig. 601.

71-11-33

REPAIR-GENERAL

01.101

Page 602

Sep 01/95

BOEING

COMPONENT MAINTENANCE MANUAL

- STRAIGHTNESS
- ▭ FLATNESS
- ⊥ PERPENDICULARITY (OR SQUARENESS)
- // PARALLELISM
- ROUNDNESS
- ⊘ CYLINDRICITY
- ⌒ PROFILE OF A LINE
- ⌒ PROFILE OF A SURFACE
- ◎ CONCENTRICITY
- ≡ SYMMETRY
- ∠ ANGULARITY
- ↗ RUNOUT
- ↗ TOTAL RUNOUT
- ⊓ COUNTERBORE OR SPOTFACE
- ∇ COUNTERSINK

- ⊕ THEORETICAL EXACT POSITION OF A FEATURE (TRUE POSITION)
- ∅ DIAMETER
- S ∅ SPHERICAL DIAMETER
- R RADIUS
- SR SPHERICAL RADIUS
- () REFERENCE
- BASIC A THEORETICALLY EXACT DIMENSION USED TO DESCRIBE SIZE, SHAPE OR LOCATION OF A FEATURE FROM WHICH PERMISSIBLE VARIATIONS ARE ESTABLISHED BY TOLERANCES ON OTHER DIMENSIONS OR NOTES.
- (OR)
- DIM
- A- DATUM
- Ⓜ MAXIMUM MATERIAL CONDITION (MMC)
- Ⓛ LEAST MATERIAL CONDITION (LMC)
- Ⓢ REGARDLESS OF FEATURE SIZE (RFS)
- Ⓟ PROJECTED TOLERANCE ZONE
- FIM FULL INDICATOR MOVEMENT

EXAMPLES

<p>— 0.002 STRAIGHT WITHIN 0.002</p> <p>⊥ 0.002 B PERPENDICULAR TO B WITHIN 0.002</p> <p>// 0.002 A PARALLEL TO A WITHIN 0.002</p> <p>○ 0.002 ROUND WITHIN 0.002</p> <p>⊘ 0.010 CYLINDRICAL SURFACE MUST LIE BETWEEN TWO CONCENTRIC CYLINDERS, ONE OF WHICH HAS A RADIUS 0.010 INCH GREATER THAN THE OTHER</p> <p>⌒ 0.006 A EACH LINE ELEMENT OF THE SURFACE AT ANY CROSS SECTION MUST LIE BETWEEN TWO PROFILE BOUNDARIES 0.006 INCH APART RELATIVE TO DATUM PLANE A</p> <p>▭ 0.020 A SURFACES MUST LIE WITHIN PARALLEL BOUNDARIES 0.02 INCH APART AND EQUALLY DISPOSED ABOUT TRUE PROFILE</p>	<p>◎ ∅ 0.0005 C CONCENTRIC TO C WITHIN 0.0005 DIAMETER</p> <p>≡ 0.010 A SYMMETRICAL WITH A WITHIN 0.010</p> <p>∠ 0.005 A ANGULAR TOLERANCE 0.005 WITH A</p> <p>⊕ ∅ 0.002 Ⓢ B LOCATED AT TRUE POSITION WITHIN 0.002 DIA RELATIVE TO DATUM B, REGARDLESS OF FEATURE SIZE</p> <p>⊥ ∅ 0.010 Ⓜ A 0.510 Ⓟ AXIS IS TOTALLY WITHIN A CYLINDER OF 0.010-INCH DIAMETER, PERPENDICULAR TO, AND EXTENDING 0.510-INCH ABOVE, DATUM A, MAXIMUM MATERIAL CONDITION</p> <p>2.000 THEORETICALLY EXACT DIMENSION IS 2.000</p> <p style="text-align: center;">OR 2.000 BSC</p> <p>0.020 A A 0.020</p>
--	--

NOTE: DATUM MAY APPEAR AT EITHER SIDE OF TOLERANCE FRAME

True Position Dimensioning Symbols
Figure 601

71-11-33

REPAIR-GENERAL

01.1 Page 603

Mar 01/95

HINGE FITTING ASSEMBLY - REPAIR 1-1

315T3303-9, -10, -13, -14, -17, -18, -21, -22, -23, -24

NOTE: Refer to REPAIR-GEN for list of applicable standard practices.

1. Bushing Replacement (55, IPL Fig. 5).

- A. Remove bushing.
- B. Install bushing per 20-50-03.
- C. Machine bore of bushing per Fig. 601.
- D. Fillet seal entire periphery of bushing flanges using BMS 5-26 sealant.

2. Repair

- A. Repair hole for bushing (55).
 - (1) Machine fitting (60, 62, 65, 67) as required to remove discrepancies, per Fig. 601.
 - (2) Penetrant check per 20-20-02.
 - (3) Refinish per 3.A.
 - (4) Fabricate oversize bushing per Fig. 602.

3. Refinish

- A. Fitting (60, 62, 62A, 65, 67, 67A, IPL Fig. 5) -- Chromic acid anodize, type 1 or sulfuric acid anodize, type 2 (F-17.05), and apply one coat of BMS 10-79, type 3 primer (F-19.47) all over. Material: Aluminum alloy

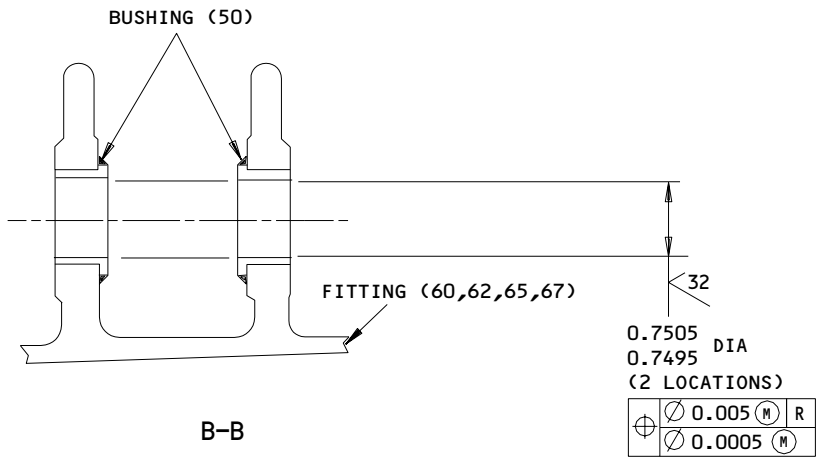
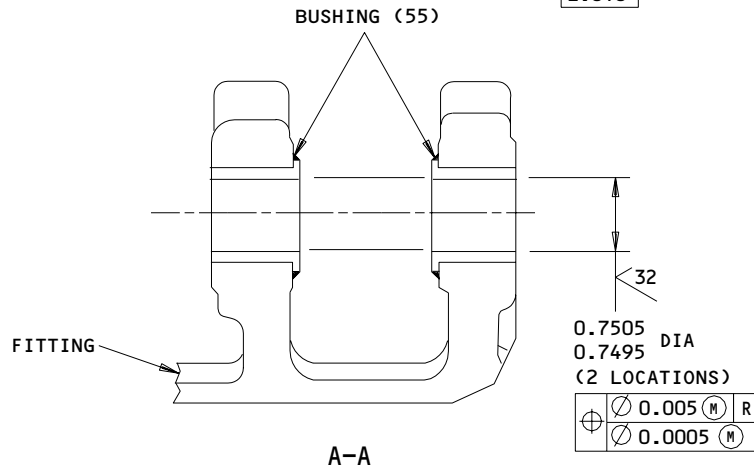
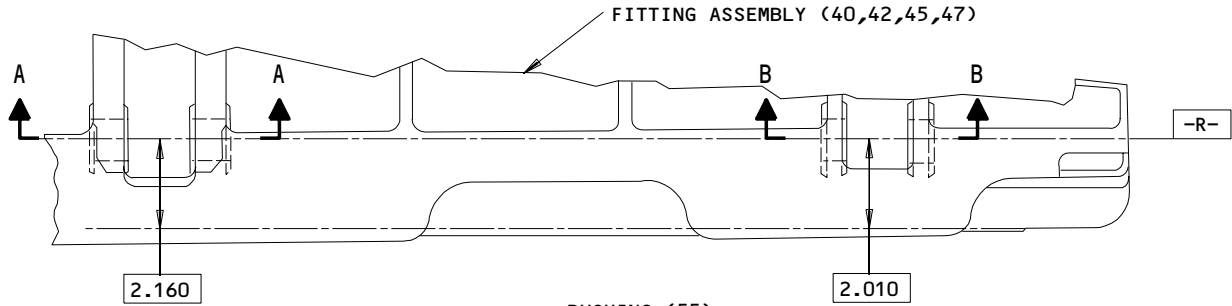
71-11-33

REPAIR 1-1

01.1

Page 601

Oct 01/90



MATERIAL: ALUMINUM ALLOY

125 ✓ ALL MACHINED SURFACES UNLESS SHOWN DIFFERENTLY

ALL DIMENSIONS ARE IN INCHES

315T3303-9,-10,-13,-14,-17,-18,-21,-22,-23,-24
Bushing Replacement
Figure 601

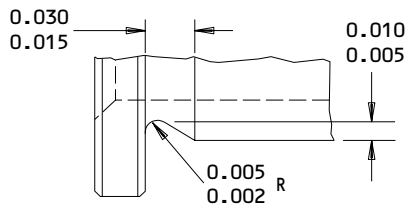
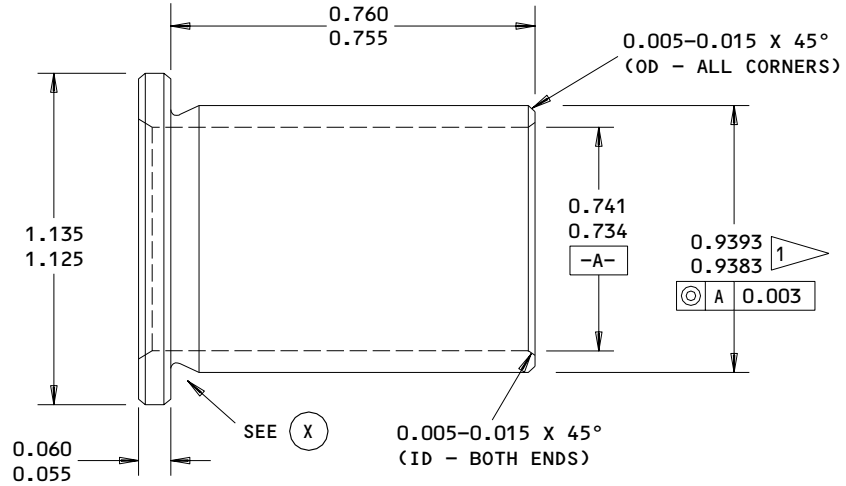
71-11-33

REPAIR 1-1

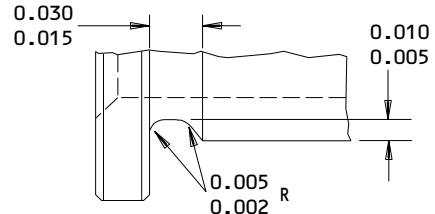
01.1

Page 602

Mar 01/95



TYPE 1



TYPE 2

UNDERCUT TYPE 1 OR TYPE 2 OPTIONAL



1 FINAL BUSHING OUTSIDE DIA EQUALS REPAIR DIA OF FITTING PLUS 0.0007-0.0021 INTERFERENCE

63 ALL MACHINED SURFACES, EXCEPT AS NOTED
 ANGULAR TOLERANCE, ±0.50 DEG

ALL DIMENSIONS ARE IN INCHES

MATERIAL: AL-NI-BRZ PER AMS 4640

DIMENSIONS APPLY AFTER PLATING

FINISH: CADMIUM PLATE PER 20-42-05, TYPE 2, CLASS 2

BUSHING REPLACEMENT FOR BUSHING (55, IPL FIG. 5)
 Oversize Bushing Details
 Figure 602

71-11-33

REPAIR 1-1

01

Page 603

Jul 10/86

ATTACH ASSEMBLY – REPAIR 2-1

315T3308-25, -26, -33, -34

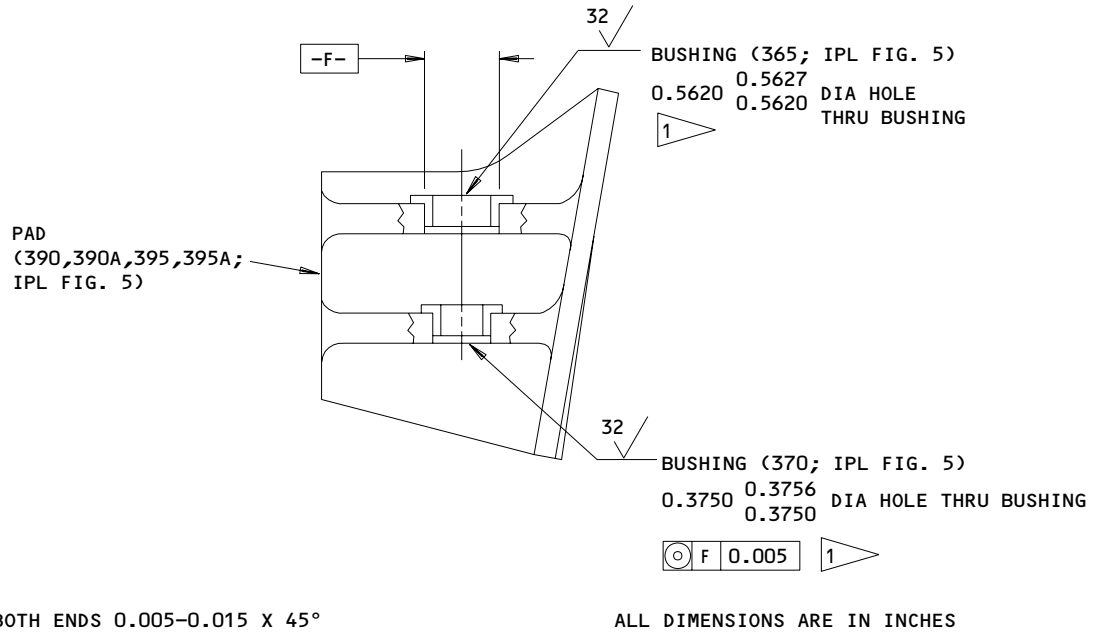
NOTE: Refer to REPAIR-GEN for list of applicable standard practices.

1. Bushing (365, 370) Replacement (IPL Fig. 5).

- A. Remove bushings.
- B. Install bushings per 20-50-03.
- C. Machine bore of bushings per Fig. 601.
- D. Fillet seal entire periphery of bushing flanges using BMS 5-26 sealant.

2. Refinish

- A. Pad (390, 390A, 395, 395A) -- Chromic acid anodize, type 1 and apply one coat BMS 10-11, type 1 primer (F-18.13), all over. Material: Aluminum alloy.



315T3308-25,-26,-33,-34

Bushing Replacement
 Figure 601

FITTING ASSEMBLY - REPAIR 3-1

315T3314-7, -8

NOTE: Refer to REPAIR-GEN for list of applicable standard practices.

1. Bushing (465) Replacement (IPL Fig. 3).

- A. Remove bushing.
- B. Install bushings per 20-50-03.
- C. Machine bushings per Fig. 601.
- D. Fillet seal entire periphery of bushing flanges using BMS 5-26 sealant.

2. Repair

- A. Repair hole for bushing (465).
 - (1) Machine fitting (470, 475) as required to remove discrepancies, per Fig. 601.
 - (2) Penetrant check per 20-20-02.
 - (3) Refinish per 3.A.
 - (4) Fabricate oversize bushing per Fig. 602.

3. Refinish

- A. Fitting (470, 475, IPL Fig. 3) -- Chromic acid anodize, type 1 or sulfuric acid anodize, type 2 (F-17.05), and apply one coat BMS 10-11, type 1 primer (F-20.02) all over. Material: Aluminum alloy.

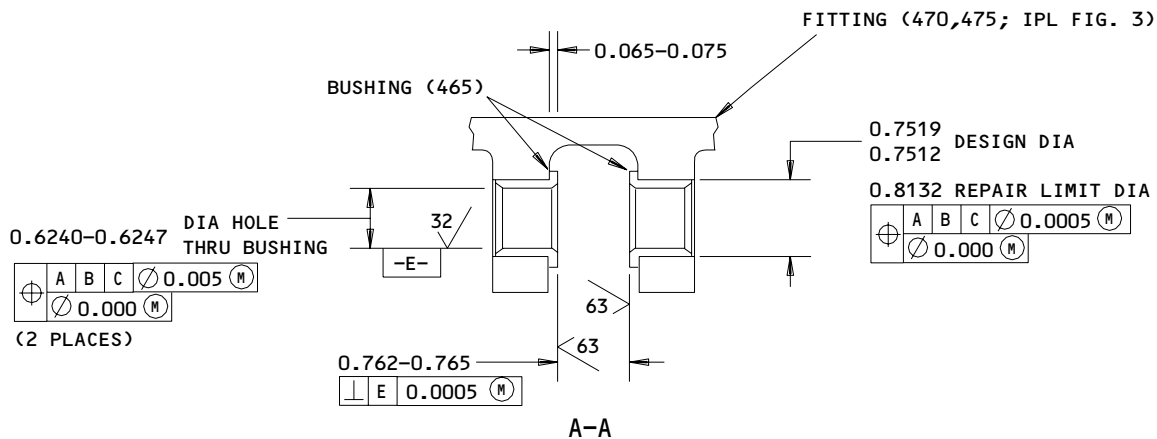
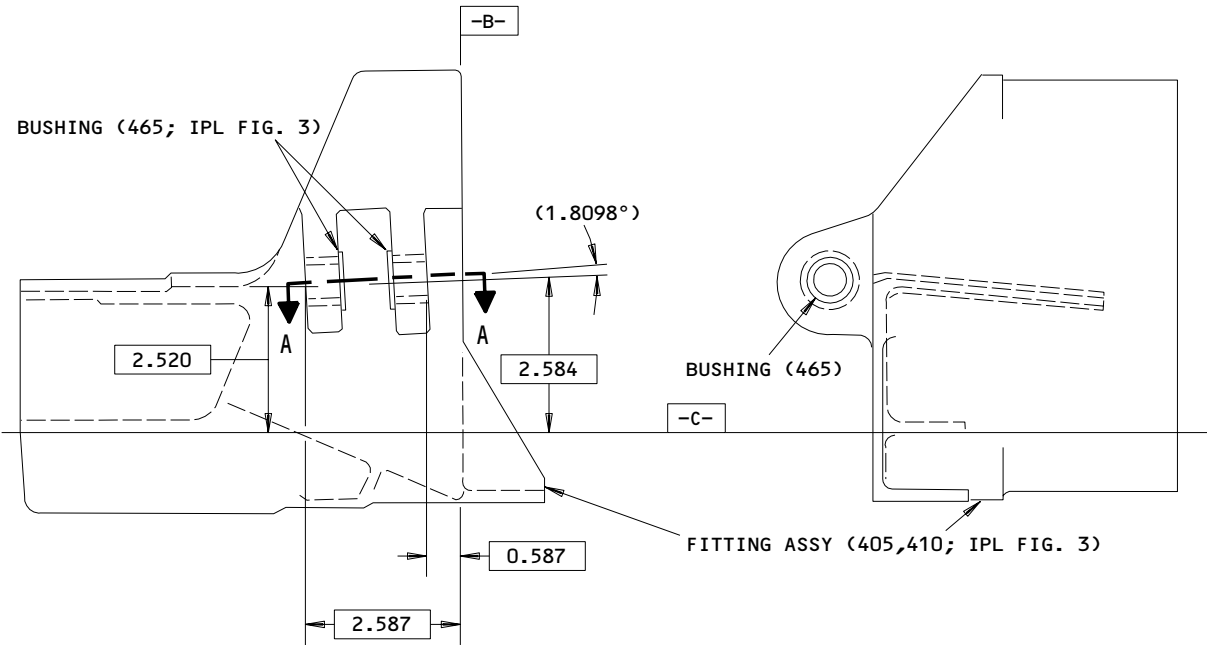
71-11-33

REPAIR 3-1

01

Page 601

Jul 10/86



125 / ALL MACHINED SURFACES

MATERIAL: ALUMINUM ALLOY

ALL DIMENSIONS ARE IN INCHES

315T3314-7,-8

Bushing Replacement
 Figure 601

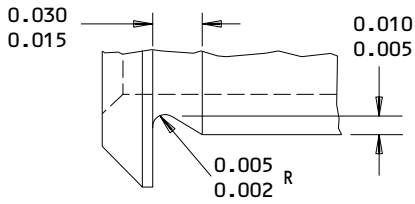
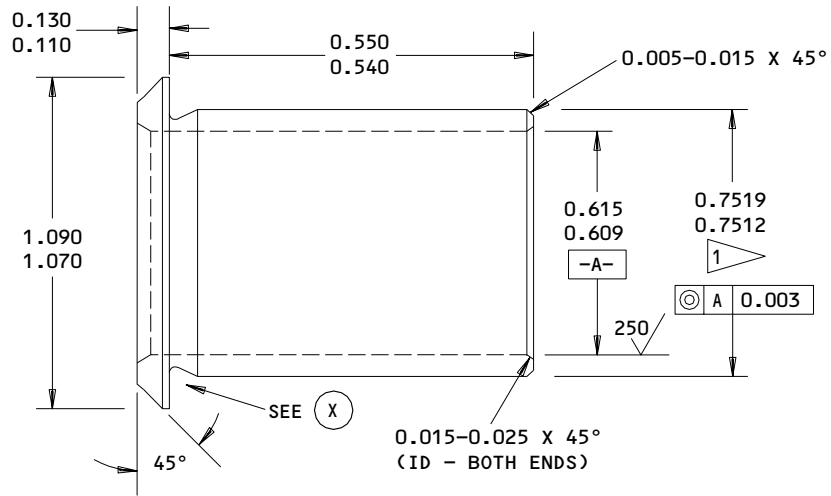
71-11-33

REPAIR 3-1

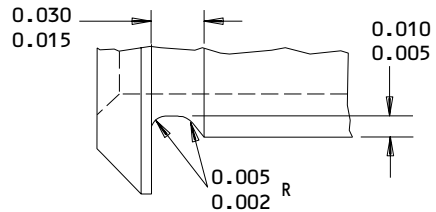
01

Page 602

Jul 10/86



TYPE 1



TYPE 2

UNDERCUT TYPE 1 OR TYPE 2 OPTIONAL

(X)

1 FINAL BUSHING OUTSIDE DIA EQUALS REPAIR DIA OF FITTING PLUS 0.0005-0.0019 INTERFERENCE

63/ ALL MACHINED SURFACES, EXCEPT AS NOTED
 ANGULAR TOLERANCE, ±0.50 DEG

ALL DIMENSIONS ARE IN INCHES

MATERIAL: 15-5PH CRES, HT TR (180-200 KSI)

DIMENSIONS APPLY AFTER PLATING

FINISH: CADMIUM PLATE PER 20-42-05, TYPE 2, CLASS 3

BUSHING REPLACEMENT FOR BUSHING (465, IPL FIG. 3)
 Oversize Bushing Details
 Figure 602

71-11-33

REPAIR 3-1

01

Page 603

Jul 10/86

LATCH FITTING ASSEMBLY - REPAIR 4-1

315T3403-8

NOTE: Refer to REPAIR-GEN for list of applicable standard practices.

1. Bushing Replacement (627A, 630, IPL Fig. 7).

- A. Remove bushings (627A, 630).
- B. Install bushings per 20-50-03.
- C. Machine bore of bushings per Fig. 601.
- D. Fillet seal entire periphery of bushing flanges using BMS 5-26 sealant.

2. Repair

- A. Repair hole for bushing (627A, 630).
 - (1) Machine fitting (633, 633A) as required to remove discrepancies, per Fig. 601.
 - (2) Penetrant check per 20-20-02.
 - (3) Refinish per 3.A.
 - (4) Fabricate oversize bushing per Fig. 602 and Fig. 603.

3. Refinish

- A. Fitting (633, 633A, IPL Fig. 7) -- Chromic acid anodize, type 1 or sulfuric acid anodize, type 2 (F-17.05), and apply one coat BMS 10-11, type 1 primer (F-20.02) all over. Material: Aluminum alloy.

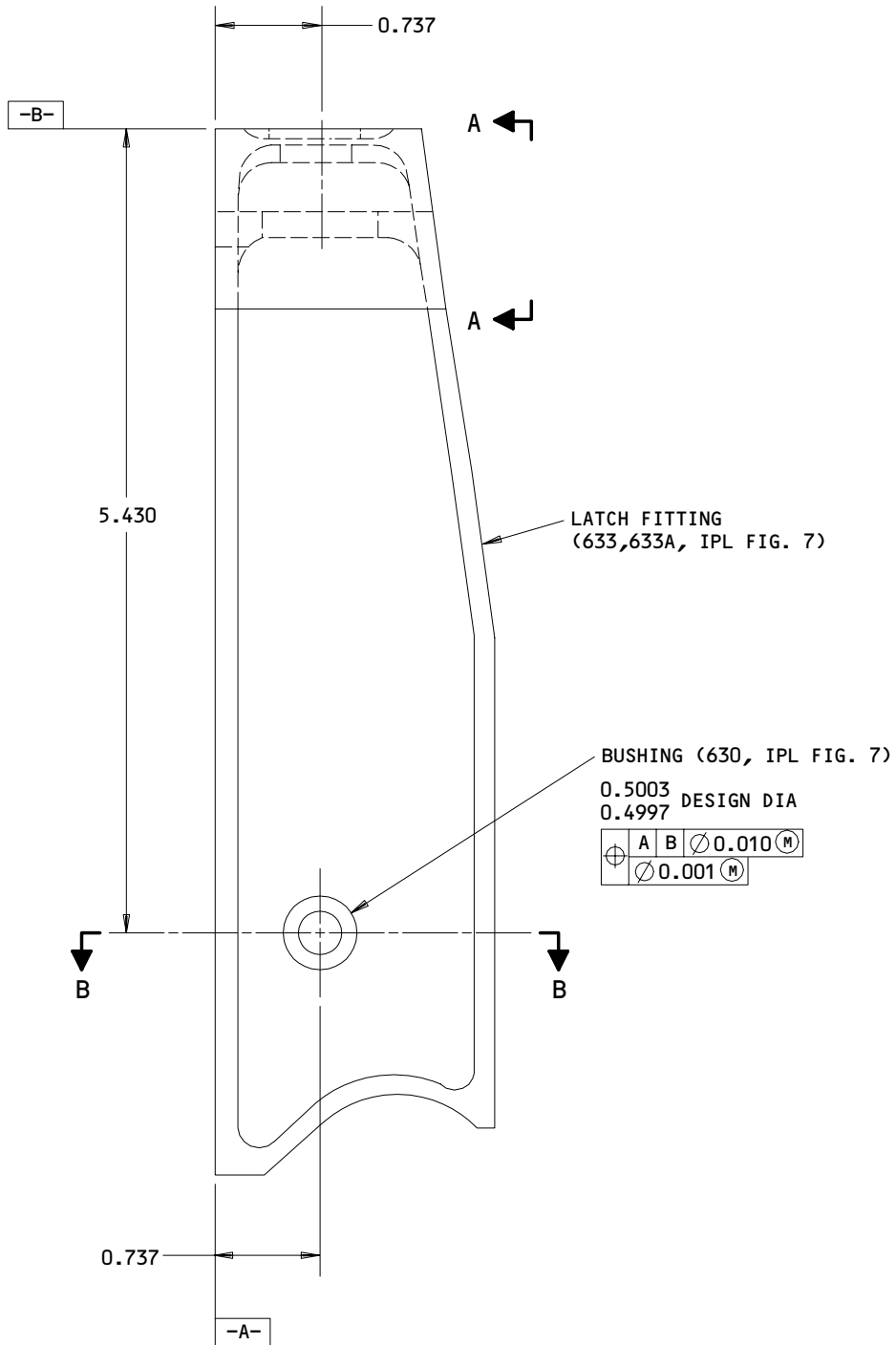
71-11-33

REPAIR 4-1

01

Page 601

Jul 10/86



315T3403-8
 Bushing Replacement
 Figure 601 (Sheet 1)

71-11-33

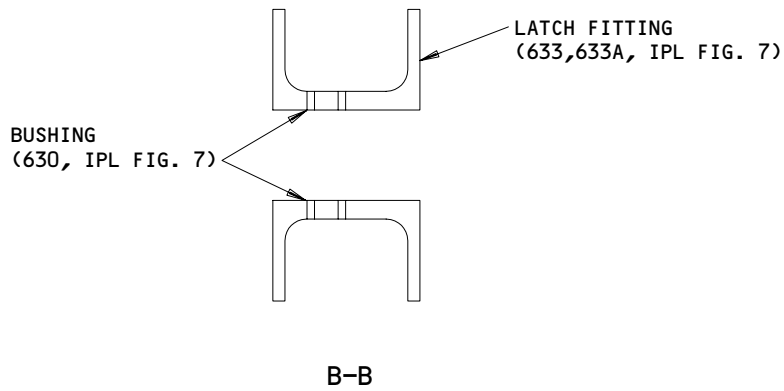
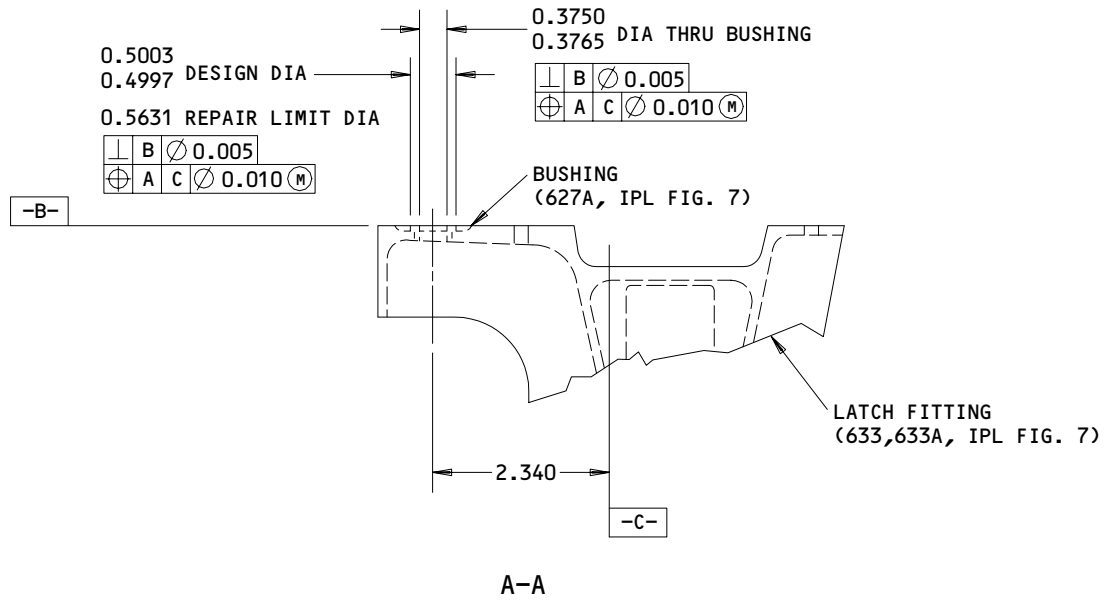
REPAIR 4-1

Page 602

Jul 10/86

01

BOEING
 COMPONENT
 MAINTENANCE MANUAL



63/ ALL MACHINED SURFACES
 MATERIAL: ALUMINUM ALLOY
 ALL DIMENSIONS ARE IN INCHES

315T3403-8
 Bushing Replacement
 Figure 601 (Sheet 2)

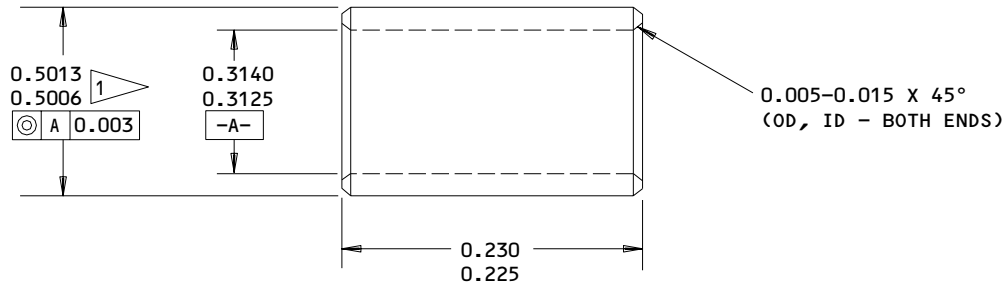
71-11-33

REPAIR 4-1

01

Page 603

Jul 10/86



1 FINISH BUSHING OUTSIDE DIA EQUALS REPAIR
 DIA OF FITTING PLUS 0.0005-0.0017
 INTERFERENCE.

32/ ALL MACHINED SURFACES, EXCEPT AS NOTED
 ANGULAR TOLERANCE, ±0.50 DEG

ALL DIMENSIONS ARE IN INCHES

MATERIAL: 15-5PH CRES, HT TR (180-200 KSI)

DIMENSIONS APPLY AFTER PLATING

FINISH: CADMIUM PLATE PER (20-42-05),
 TYPE 2, CLASS 2

REPLACEMENT BUSHING FOR BUSHING (630, IPL FIG. 7)

Oversize Bushing Details
 Figure 602

221566

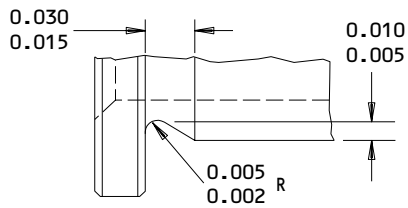
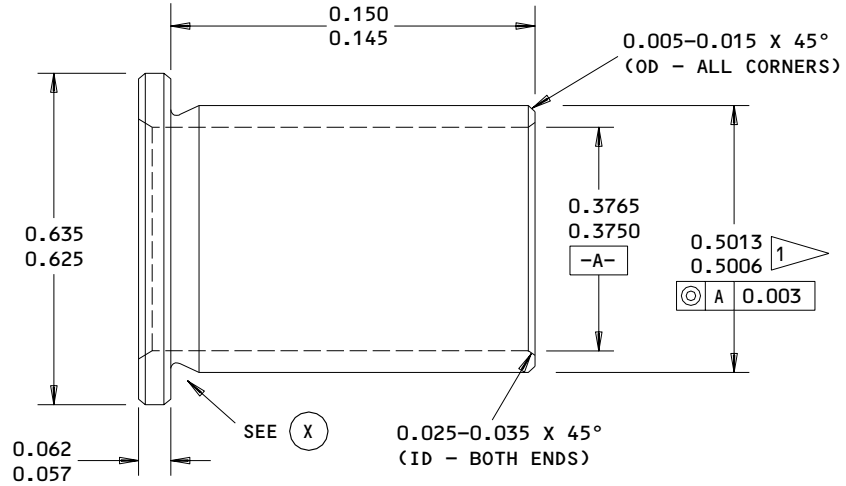
71-11-33

REPAIR 4-1

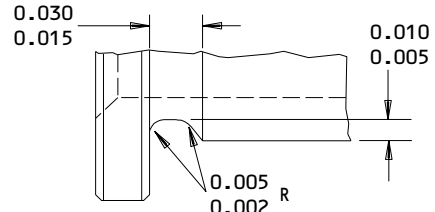
01

Page 604

Jul 10/86



TYPE 1



TYPE 2

UNDERCUT TYPE 1 OR TYPE 2 OPTIONAL

(X)

1 FINAL BUSHING OUTSIDE DIA EQUALS REPAIR DIA OF FITTING PLUS 0.0005-0.0017 INTERFERENCE

63/ ALL MACHINED SURFACES, EXCEPT AS NOTED
 ANGULAR TOLERANCE, ±0.50 DEG

ALL DIMENSIONS ARE IN INCHES

MATERIAL: 17-4PH CRES, HT TR (180-200 KSI)

DIMENSIONS APPLY AFTER PLATING

FINISH: CADMIUM PLATE PER 20-42-05, TYPE 2, CLASS 2

BUSHING REPLACEMENT FOR BUSHING (627A, IPL FIG. 7)
 Oversize Bushing Details
 Figure 603

71-11-33

REPAIR 4-1

01

Page 605

Jul 10/86

FITTING ASSEMBLY – REPAIR 5-1

315T3413-13, -19, -25

NOTE: Refer to REPAIR-GEN for list of applicable standard practices.

1. Bushing (336, 339) Replacement (IPL Fig. 7).

- A. Remove bushings.
- B. Install bushings per 20-50-03.
- C. Machine bore of bushings per Fig. 601.
- D. Fillet seal entire periphery of bushing flanges using BMS 5-26 sealant.

2. Refinish

- A. Fitting (360, 360A, 360B) -- Chromic acid anodize, type 1 or sulfuric acid anodize, type 2 (F-17.05), and apply one coat BMS 10-11, type 1 primer (F-20.02) all over. Material: Aluminum alloy.

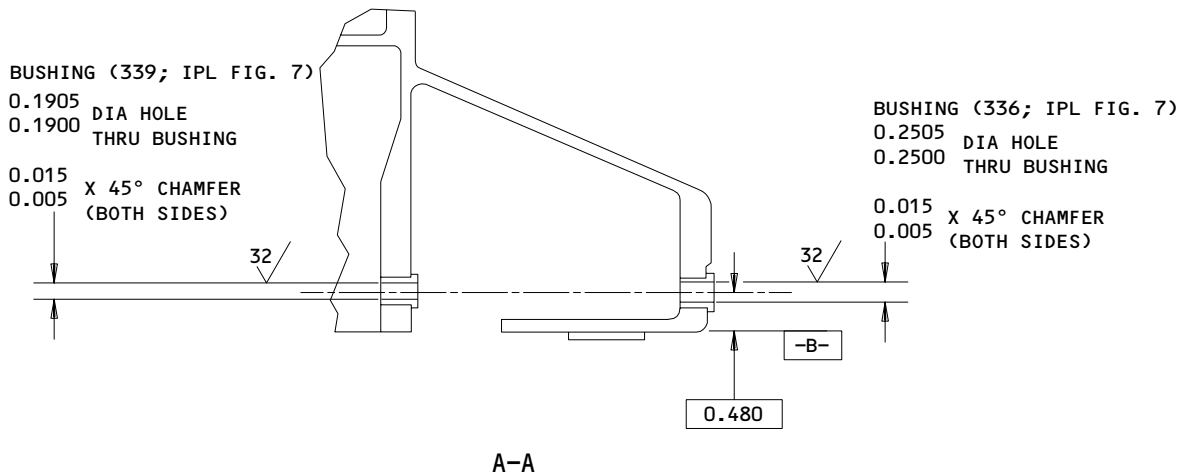
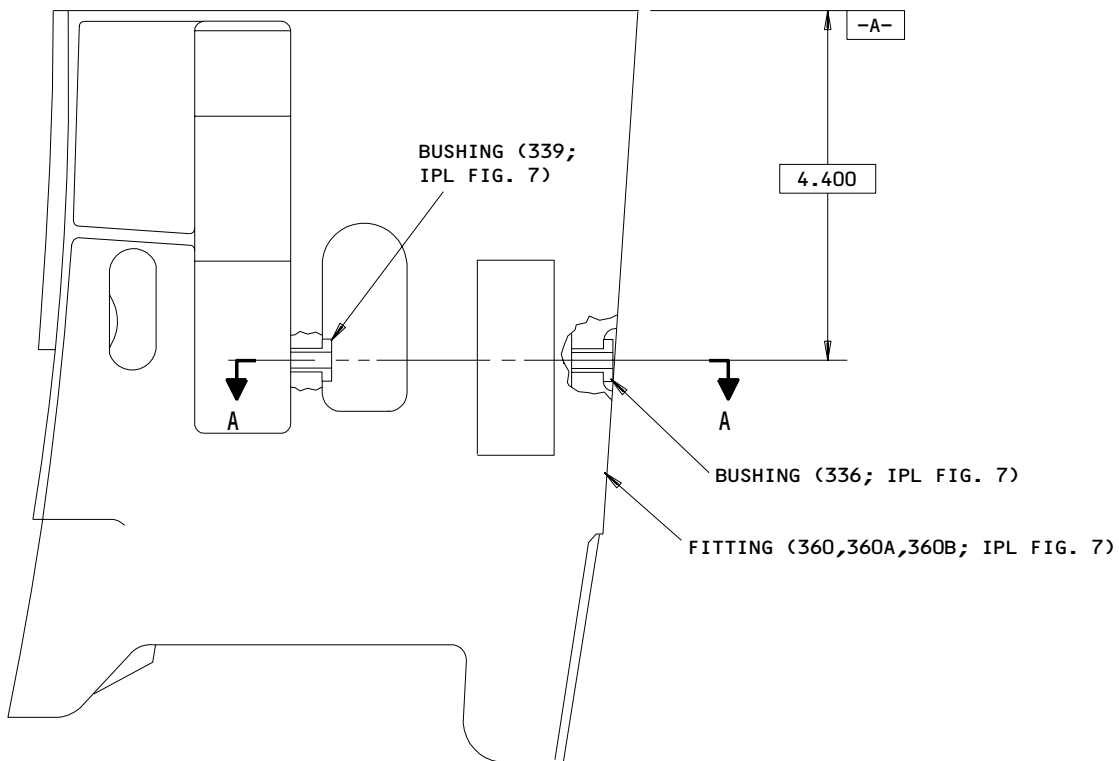
71-11-33

REPAIR 5-1

01.1

Page 601

Oct 01/90



ALL DIMENSIONS ARE IN INCHES

315T3413-13,-19

Bushing Replacement
 Figure 601

71-11-33

REPAIR 5-1
 Page 602
 Jul 10/86

01

FITTING ASSEMBLY – REPAIR 6-1

315T3634-1, -2, -10, -11

NOTE: Refer to REPAIR-GEN for list of applicable standard practices.

1. Bushing (95) Replacement (IPL Fig. 3).

- A. Remove bushing.
- B. Install bushings per 20-50-03.
- C. Machine bore of bushings per Fig. 601.
- D. Fillet seal entire periphery of bushing flanges using BMS 5-26 sealant.

2. Repair

- A. Repair hole for bushing (95).
 - (1) Machine fitting (103, 105, 107, 108) as required to remove discrepancies, per Fig. 601.
 - (2) Penetrant check per 20-20-02.
 - (3) Refinish per 3.A.
 - (4) Fabricate oversize bushings per Fig. 602.

3. Refinish

- A. Fitting (100, 102, 103, 105, 107, 108) -- Chromic acid anodize, type 1 and apply one coat BMS 10-11, type 1 primer (F-18.13). Omit primer from holes for bushings and insert. Material: Aluminum alloy.

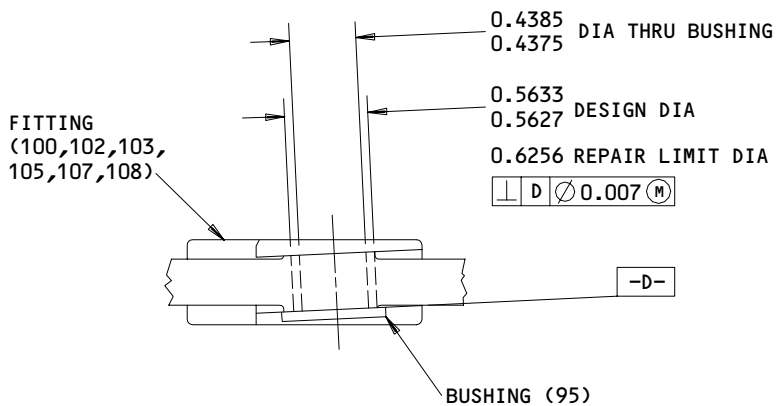
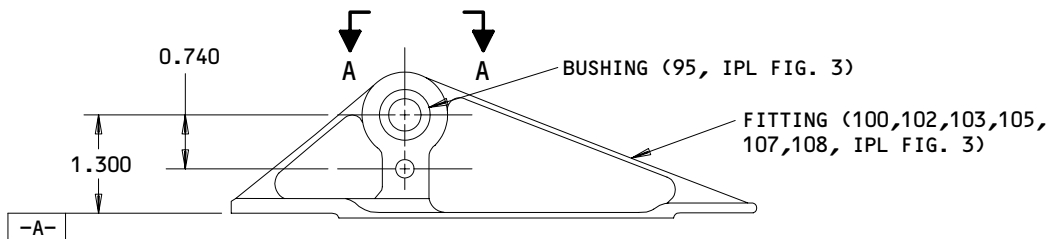
71-11-33

REPAIR 6-1

01

Page 601

Jul 10/86



A-A

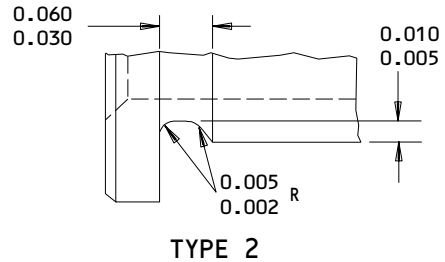
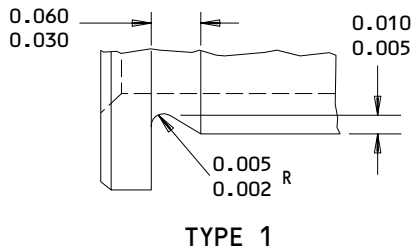
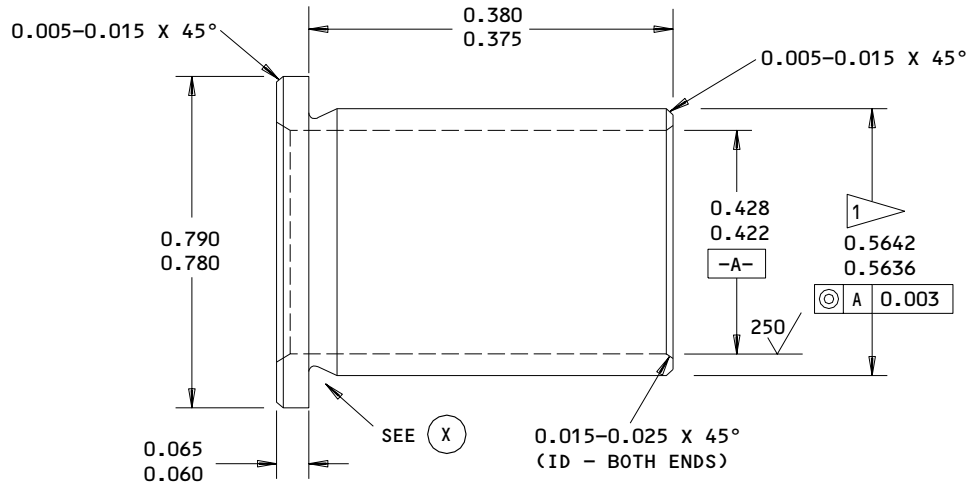
125/ALL MACHINED SURFACES
 MATERIAL: ALUMINUM ALLOY
 ALL DIMENSIONS ARE IN INCHES

315T3634-1,-2
 Bushing Replacement
 Figure 601

71-11-33

REPAIR 6-1
 Page 602
 Jul 10/86

01



UNDERCUT TYPE 1 OR TYPE 2 OPTIONAL

(X)

1 FINAL BUSHING OUTSIDE DIA EQUALS REPAIR DIA OF FITTING PLUS 0.0005-0.0017 INTERFERENCE

63 ALL MACHINED SURFACES, EXCEPT AS NOTED
 ANGULAR TOLERANCE, ±0.50 DEG

ALL DIMENSIONS ARE IN INCHES

MATERIAL: 15-5PH CRES, HT TR (180-200 KSI)

DIMENSIONS APPLY AFTER PLATING

FINISH: CADMIUM PLATE PER 20-42-05, TYPE 2, CLASS 2

BUSHING REPLACEMENT FOR BUSHING (95, IPL FIG. 3)
 Oversize Bushing Details
 Figure 602

71-11-33

REPAIR 6-1

01

Page 603

Jul 10/86


BOEING
 COMPONENT
 MAINTENANCE MANUAL
CASCADE ASSEMBLY – REPAIR 7-1

315T3210-8, -9, -10	315T4210-1, -2, -3
315T3212-11, -12, -13, -14	315T4212-1, -2, -3, -4
315T3214-7, -8	315T4214-1, -2, -3, -4
315T3259-7, -8	315T4259-1, -2, -7, -8, -9, -10
315T3262-4	315T4262-1

NOTE: Refer to REPAIR-GENERAL for list of applicable standard practices.

1. Cascade Assembly Vane Repair (28, 30, 60, 63, 66, 68, 97, 100, 103, 106, 139, 142, 175, 178, 208, 211, 241, 244, 247, 250, IPL Fig. 1; 9, 11, 31, 33, 51, 53, 55, 57, 77, 79, 99, 101, 121, 139, 141, 143, 145, IPL Fig. 12)

CAUTION: WELD REPAIRS MUST BE A MINIMUM OF 0.50 INCH FROM ANY STRONGBACK OR STRUCTURAL DAMAGE MAY OCCUR. REPLACE CASCADE ASSEMBLIES IF DAMAGE IS LESS THAN 0.50 INCH FROM A STRONGBACK.

A. Weld repairs not requiring a replacement section (Ref Fig. 601).

- (1) Clean entire casting per 20-30-03.
- (2) Stop drill end of crack(s) with a number 40 (0.098 inch dia) or number 60 (0.040 inch dia) drill.
- (3) Groove cracked area, from both sides, to ensure 100% joint penetration.

CAUTION: PREHEATING AND STRESS RELIEVING TO A MAXIMUM TEMPERATURE OF 350°F TO PREVENT CRACKING IS ALLOWED (FURNACE METHOD ONLY). 350°F SHALL NOT BE EXCEEDED OR STRUCTURAL DAMAGE MAY OCCUR.

DO NOT SOLUTION HEAT TREAT AND/OR AGE HARDEN THE WELD CASTING AS CRACKING/DISTORTION MAY OCCUR.

- (4) Weld joint using gas tungsten arc method and either AZ92A or AZ101A filler wire or rod per MIL-R-6944. Weld bead(s) must be left as deposited.
- (5) Penetrant check per 20-20-02 and X-ray weld areas.
- (6) Refinish weld area(s) of casting by applying Dow 19 anodize per 20-43-02.

71-11-33

REPAIR 7-1

01.1

Page 601

Mar 01/95

- (7) Apply one coat BMS 10-11, type 1 primer (F-20.02), and one coat BMS 10-60, color BAC707 gray gloss enamel (SRF-14.9813).

B. Weld repairs requiring replacement sections.

- (1) Cut replacement section(s) from a similar salvaged cascade or 0.063 inch thick AZ31B magnesium sheet per QQ-M-44.
- (2) Clean cast or sheet metal per 20-30-03.
- (3) Prepare butt joint as required to permit 100% joint penetration.
- (4) Position parts for welding using minimum of restraint.

CAUTION: PREHEATING AND STRESS RELIEVING TO A MAXIMUM TEMPERATURE OF 350°F TO PREVENT CRACKING IS ALLOWED (FURNACE METHOD ONLY). 350°F SHALL NOT BE EXCEEDED OR STRUCTURAL DAMAGE MAY OCCUR.

DO NOT SOLUTION HEAT TREAT AND AGE THE WELD CASTING AS CRACKING/DISTORTION MAY OCCUR.

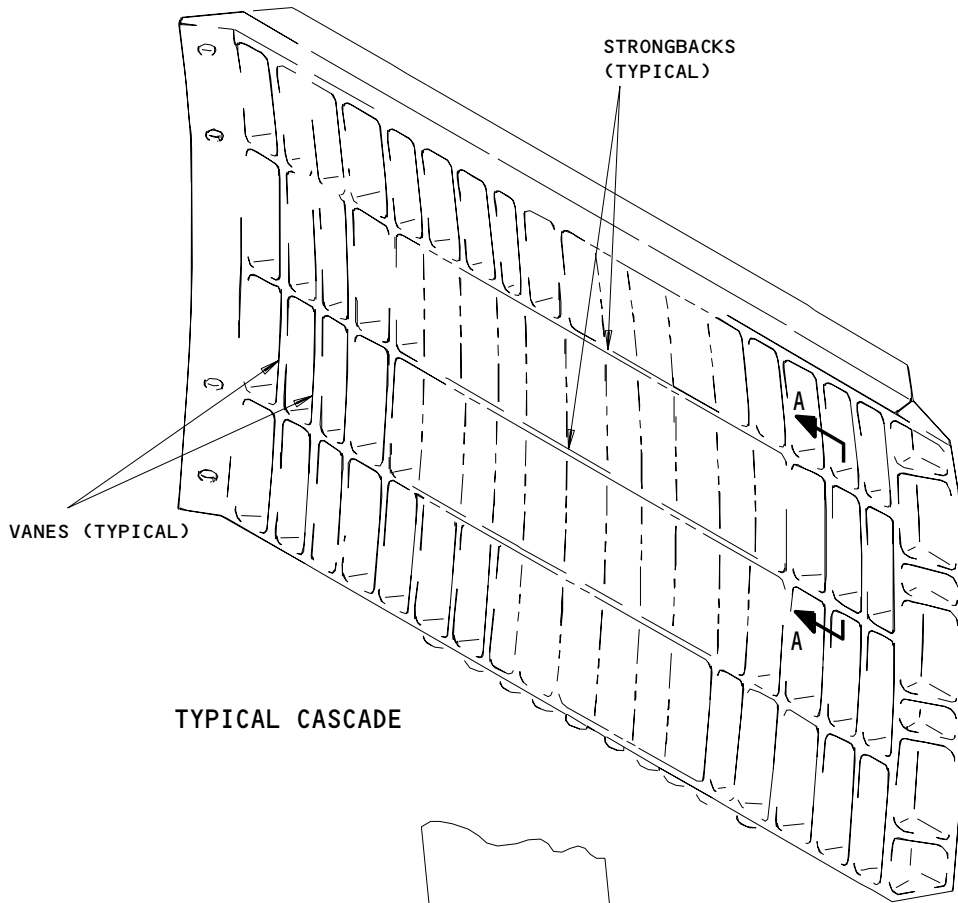
- (5) Weld joint using gas tungsten arc method and either AZ92A or AZ101A filler wire or rod per MIL-R-6944. Weld beads must be left as deposited.
- (6) Penetrant check per 20-20-02 and X-ray weld area(s).
- (7) Refinish weld area(s) of casting by applying Dow 19 anodize per 20-43-02.
- (8) Apply one coat BMS 10-11, type 1 primer (F-20.02), and one coat BMS 10-60, color BAC707 GRAY gloss enamel (SRF-14.9813).

71-11-33

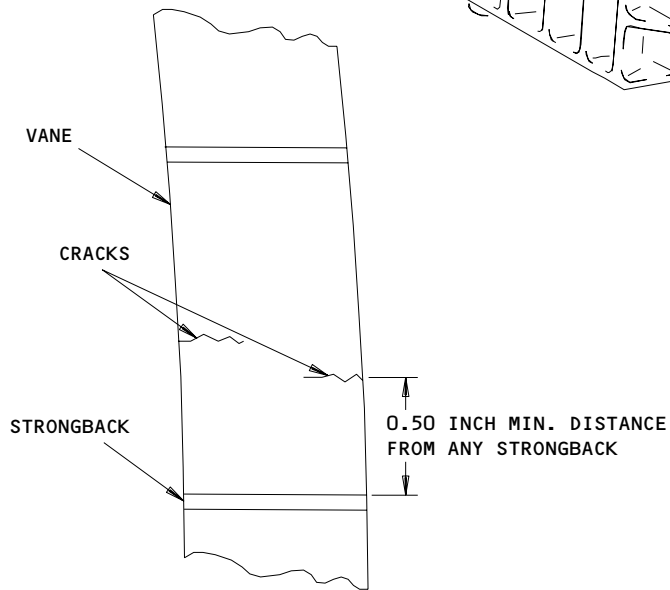
REPAIR 7-1

01 Page 602

Jul 10/86



TYPICAL CASCADE



A-A

ALL DIMENSIONS ARE IN INCHES

Cascade Vane Weld Repair
Figure 601

71-11-33

REPAIR 7-1

01

Page 603

Jul 10/86

MISCELLANEOUS PARTS - REPAIR 8-1

NOTE: Refer to REPAIR-GEN for list of applicable standard practices.

1. Repair of parts in Fig. 601 consists of restoration of original finish.

IPL FIG. & ITEM	MATERIAL	FINISH
<u>Fig. 1</u>		
Fan duct cowl assy (1,5,10,15)		Refinish exterior surface and edges per operators standard color scheme using BMS 10-11, type 2 enamel.
Cascade (54,57,94, 136,172,205,238, 277,280)	Magnesium alloy	Dow 17 anodize using the no dimensional loss procedure for Dow finish. Apply two coats of BMS 10-11, type 1 primer (F-20.03) except in fastener holes use only one coat BMS 10-11, type 1 primer (F-20.02).
Fairing (283,626, 718,720), Strap (792), Rubstrip (355,356A,357,357L, 358,358L)	Aluminum alloy	Chemically treat (colored film) and apply one coat BMS 10-11, type 1 primer (F-18.06) all over.
Pad fitting (802, 804)	Aluminum alloy	Chromic acid anodize, and apply one coat of BMS 10-11, type 1 primer (F-18.13) all over.
Duct assy (940)	Aluminum alloy	See Fig. 601.

Refinish Details
Table 601 (Sheet 1)

71-11-33

REPAIR 8-1

01.1

Page 601

Jul 01/03

IPL FIG. & ITEM	MATERIAL	FINISH
Plate (788,790) <u>Fig. 2</u>	15-5 PH CRES 150-170 KSI	Cadmium plate, type 2, class 2, and apply one coat BMS 10-11, type 1, primer (F-16.01) all over.
Retainer (175) <u>Fig. 3</u>	Aluminum alloy	Chromic acid anodize, type 1 (F-17.04) and apply two coats BMS 10-11, type 1 primer (F-20.03). Primer not required in holes.
Torque Box Instl (30,35)		See Fig. 602.
Bracket assy (160, 205,210,285,290), Bracket (500), Support (550)	Aluminum alloy	Chemically treat (colored film) and apply BMS 10-11, type 1 primer (F-18.06) all over.
Filler (240,245), Stiffener (280)	Aluminum alloy	Chromic acid anodize, type 1 and apply one coat BMS 10-11, type 1 primer (F-18.13) all over.
Retainer (370)	15-5 PH CRES 150-170 KSI	Cadmium plate, type 2, class 2, and apply one coat BMS 10-11, type 1 primer (F-16.01). Omit primer in hole for insert (275).

 Refinish Details
 Table 601 (Sheet 2)

71-11-33

REPAIR 8-1

01.1

Page 602

Jul 01/03


BOEING
 COMPONENT
 MAINTENANCE MANUAL

IPL FIG. & ITEM	MATERIAL	FINISH
Strip (555) <u>Fig. 5</u>	Aluminum alloy	Chemically treat all surfaces (colored film) (F-17.07). Apply one coat BMS 10-79, type 2 primer (F-19.46) all over. Apply BMS 10-60, type 2 enamel per airline standard color scheme (F-19.39-XXX) all over.
Pin (190)	15-5 PH CRES 150-170 KSI	Cadmium plate, type 2, class 2, and apply one coat BMS 10-11, type 1 primer (F-16.01). Primer and plating not required in threaded hole.
Liner (215,220)		See Fig. 603.
Bracket (285) <u>Fig. 6</u>	Inconel 625	Apply two coats BMS 10-11, type 1 primer (F-20.03) all over.
Support assy (30, 35)		Apply two coats BMS 10-11, type 1 primer (F-20.03). Omit primer from threads of nutplates.
Retainer (180,185, 215,220,225,250, 255,265,270,275, 280,285,290)	301 CRES	Prepare surface and passivate (F-17.09) all over.

Refinish Details
 Table 601 (Sheet 3)

71-11-33

REPAIR 8-1

01.1

Page 603

Jul 01/03

IPL FIG. & ITEM	MATERIAL	FINISH
<u>Fig. 7</u> Bifurcation assy (10,15)		If required apply BMS 10-60, type 2 enamel, per airline standard color scheme, (F-19.39-XXX) to those areas previously painted. Prepare surface of bifurcation assembly contacted by door (945) and apply BMS 10-86, type 1, white, per SOPM 20-44-01, type 27 (SRF-14.9624).
Retainer (138)	Aluminum alloy	Chromic acid anodize, type 1 (F-17.04) and apply two coats BMS 10-11, type 1 primer (F-20.03). Primer not required in holes.
Liner (159A)		See Fig. 603.
Liner (192,195)	17-7 PH CRES 180-200 KSI	Inside surface: Nickel plate 0.003-0.005 inch thick per BMS 10-36, type II. Outside surface: Cadmium plate, type 2, class 2 (0.0003 - 0.0010 inch thick) and apply one coat BMS 10-11, type 1 primer (F-16.01).
Angle (207,210, 558), Filler (543), V-Clip (603), Channel (606)	Aluminum alloy	Chemically treat (colored film) and apply BMS 10-11, type 1 primer (F-18.06) all over.
Track (162,165), Filler (213)	Aluminum alloy	Chromic acid anodize, type 1 and apply one coat BMS 10-11, type 1 primer (F-18.13) all over.

 Refinish Details
 Table 601 (Sheet 4)

71-11-33

REPAIR 8-1

01.1

Page 604

Jul 01/03


BOEING
 COMPONENT
 MAINTENANCE MANUAL

IPL FIG. & ITEM	MATERIAL	FINISH
Pin (225)		See Fig. 604.
Pin (243)	15-5 PH CRES 150-170 KSI	Cadmium plate, type 2, class 2 (F-15.06). Omit plating from threads.
Bolt (249,375)	A286 CRES	Cadmium plate, type 2, class 2 (F-15.06) all over.
Strip (522,555)		See Fig. 605.
Doubler (678)		
Bracket (708)	Inconel 625	Apply one coat BMS 10-11, type 1 primer (F-20.02) all over.
Rod (744)		See Fig. 606.
Spring (747)	302 steel wire	Prepare surface and passivate, type 2 (F-17.09).
Filler (750)	Aluminum alloy	Chemically treat (colored film) and apply two coats BMS 10-11, type 1 primer (F-18.03) all over.
Handle assy (753)		Apply one coat BMS 10-11, type 1 primer (F-20.02). Apply one coat BMS 10-11, type 2 enamel, BAC 101 red (SRF-14.905-101) all over.

Refinish Details
Table 601 (Sheet 5)

71-11-33

REPAIR 8-1

01.1

Page 605

Jul 01/03

IPL FIG & ITEM	MATERIAL	FINISH
<u>Fig. 8</u>		
Cover (55) Retainer (80,85)	Aluminum alloy	Chemically treat (colored film) and apply one coat BMS 10-11, type 1 primer (F-18.06) all over.
Bracket (140,145)	Aluminum alloy	Chemically treat all surfaces (colored film) (F-17.07). Apply Desoto high temperature polyurethane primer (F-19.43). No finish on area having seal vulcanized to it.
<u>Fig. 9</u>		
Strip (20)	Aluminum alloy	Chromic acid anodize, type 1 and apply one coat BMS 10-11, type 1 primer (F-18.13) all over.
Strip (30,40,50,60, 70,75,85), Molding (90, 95)	Aluminum alloy	Chemically treat (colored film) and apply one coat BMS 10-11, type 1 primer (F-18.06) all over.
Duct Assy (140, 140A)		See Fig. 607.
Duct Assy (140B)		See Fig. 608.
Spacer (220,225)	Aluminum alloy	Chromic acid anodize, type 1 (F-17.04). Apply two coats BMS 10-11, type 1 primer (F-20.03) all over.

Refinish Details
 Table 601 (Sheet 6)

71-11-33

REPAIR 8-1

01.1

Page 606

Jul 01/03


BOEING
 COMPONENT
 MAINTENANCE MANUAL

IPL FIG & ITEM	MATERIAL	FINISH
<u>Fig. 12</u> Fan duct cowl assy (1,3,5,7)		Refinish exterior surface and edges per operators standard color scheme using BMS 10-11, type 2 enamel.
Cascade (45,69,71, 91,93,113,115,133, 157,159,161,163)	Magnesium alloy	Dow 17 anodize using the no dimensional loss procedure for Dow finish. Apply two coats of BMS 10-11, type 1 primer (F-20.03) except in fastener holes use only one coat BMS 10-11, type 1 primer (F-20.02).
Faring (177,519, 605,607), Strap (677), Rubstrip (251,253, 255,257,259,261)	Aluminum alloy	Chemically treat (colored film) and apply one coat BMS 10-11, type 1 primer (F-18.06) all over.
Pad fitting (687, 689)	Aluminum alloy	Chromic acid anodize, and apply one coat of BMS 10-11, type 1 primer (F-18.13) all over.
Duct assy (823)	Aluminum alloy	See Fig. 601.
Plate (673,675)	15-5 PH CRES 150-170 Ksi	Cadmium plate, type 2, class 2, and apply one coat BMS 10-11, type 1, primer (F-16.01) all over.

Refinish Details
Table 601 (Sheet 7)

71-11-33

REPAIR 8-1

01.1

Page 607

Jul 01/03

IPL FIG & ITEM	MATERIAL	FINISH
<u>Fig. 13</u>		
Strip (20)	Aluminum alloy	Chromic acid anodize, type 1 and apply one coat BMS 10-11, type 1 primer (F-18.13) all over.
Strip (30,40,50,60,70,75,85), Molding (90,95)	Aluminum alloy	Chemically treat (colored film) and apply one coat BMS 10-11, type 1 primer (F-18.06) all over.
<u>Fig. 14</u>		
Retainer liner (25)	Aluminum alloy	Chromic acid anodize, type 1 (F-17.04) and apply two coats BMS 10-11, type 1 primer (F-20.03). Primer not required in holes.
Retainer pin (45)	15-5PH CRES 150-170 KSI	No finish (F-25.01).
Pin (50)	15-5PH CRES 150-170 KSI	Cadmium plate and apply BMS 10-11, type 1 primer (F-16.01). Primer not required in threaded hole.
Liner (70)	7-7PH CRES 150-170 KSI	See Fig. 603.
Track (75)	Aluminum alloy	Chromic acid anodize, type 1 and apply one coat BMS 10-11, type 1 primer (F-18.13) all over.

Refinish Details
Table 601 (Sheet 8)

71-11-33

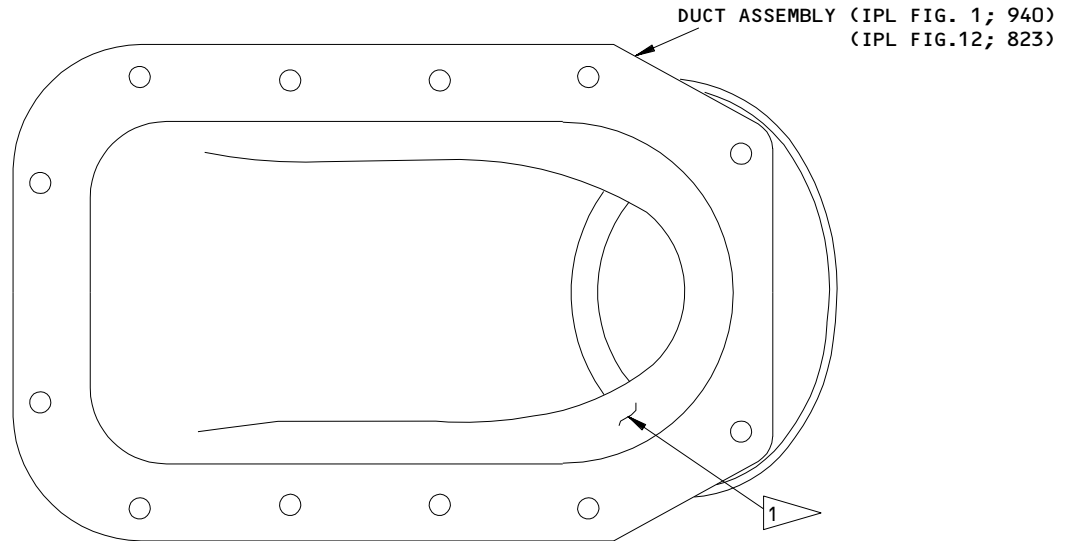
REPAIR 8-1

01.1

Page 608

Jul 01/03

BOEING
 COMPONENT
 MAINTENANCE MANUAL

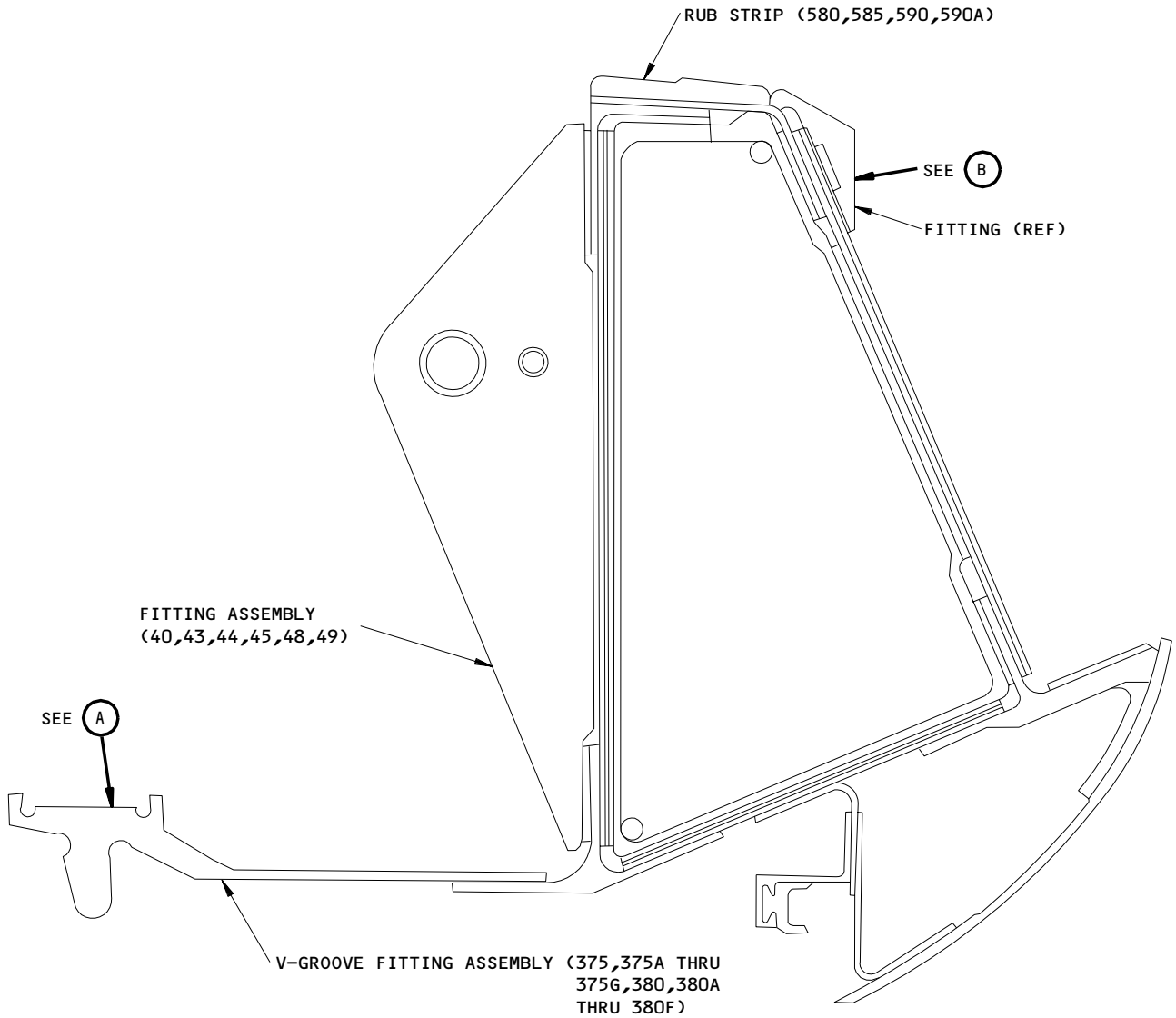
**REFINISH**

CHROMIC ACID ANODIZE, TYPE 1 (F-17.04) AND APPLY DESOTO HIGH TEMPERATURE POLYURETHANE PRIMER (F-19.43) ALL OVER. APPLY BMS 10-60, BAC707 GRAY GLOSS ENAMEL (SRF-14.9813) TO INSIDE OF DUCT AND AREA INDICATED BY 1

MATERIAL: ALUMINUM ALLOY

315T3121-1
 Refinish of Duct Assembly
 Figure 601

221572



ITEM NUMBERS REFER TO IPL FIG. 3

315T3202-5000 series
Refinish of Torque Box Installation
Figure 602 (Sheet 1)

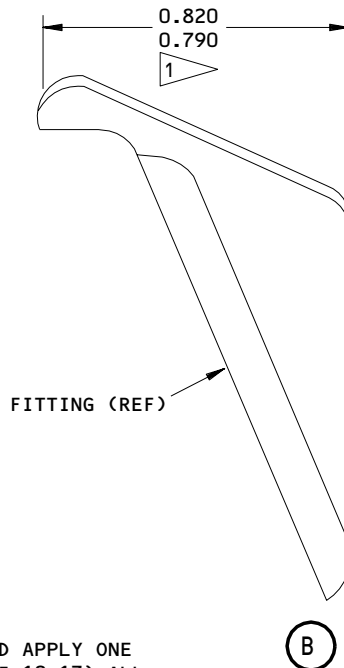
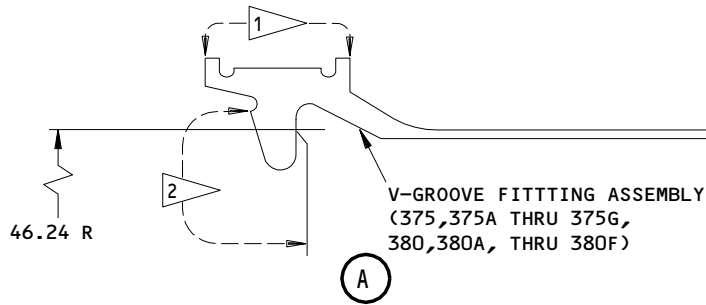
71-11-33

REPAIR 8-1

01.1

Page 610

Jul 01/03



REFINISH

CHROMIC ACID ANODIZE, TYPE 1 AND APPLY ONE COAT BMS 10-11, TYPE 1 PRIMER (F-18.13) ALL OVER EXCEPT THAT AREA COVERED BY 1.

1 FLASH ANODIZE AND APPLY BMS 3-8, CLASS A, PER SOPM 20-50-08, METHOD 3 (F-19.10), TO THIS SURFACE AROUND ENTIRE PART

2 SULFURIC ACID HARD ANODIZE, CLASS 1, GRADE 2 (F-17.06) AND APPLY BMS 3-8, CLASS A, PER SOPM 20-50-08, METHOD 3 (F-19.10) TO THIS SURFACE AROUND ENTIRE PART

MATERIAL: ALUMINUM ALLOY

ALL DIMENSIONS ARE IN INCHES

ITEM NUMBERS REFER TO IPL FIG. 3

315T3202-5000 SERIES
 Refinish of Torque Box Installation
 Figure 602 (Sheet 2)

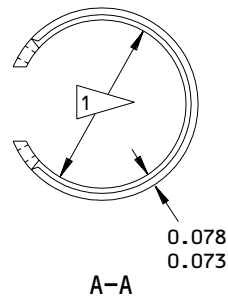
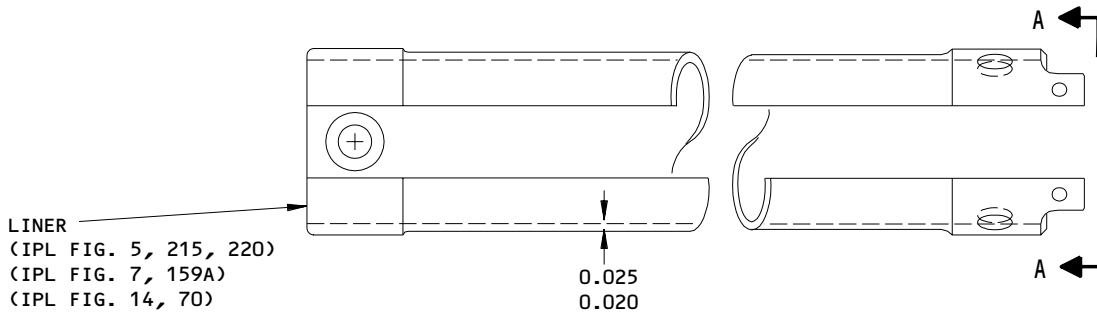
71-11-33

REPAIR 8-1

Page 611

Jul 01/03

01.1



REFINISH

NICKEL PLATE I.D. 0.003-0.005 INCH THICK PER BMS 10-36 TYPE 2 (OPTIONAL I.D. SURFACE FINISH 16 MICROINCH AND PASSIVATE).
 CADMIUM PLATE O.D. 0.0010 INCH MAXIMUM THICKNESS AND APPLY ONE COAT BMS 10-11, TYPE 1 PRIMER (F-16.01). DIMENSIONS APPLY AFTER PLATING AND FINISH COATING.

MATERIAL: 17-7PH CRES, HT TR (150-170 KSI)

ALL DIMENSIONS ARE IN INCHES

1 1.082 MINIMUM APPLIES TO FREE STATE ONLY

315T3415-6,-7,-8,-9,-16,-24
 Refinish of Liner
 Figure 603

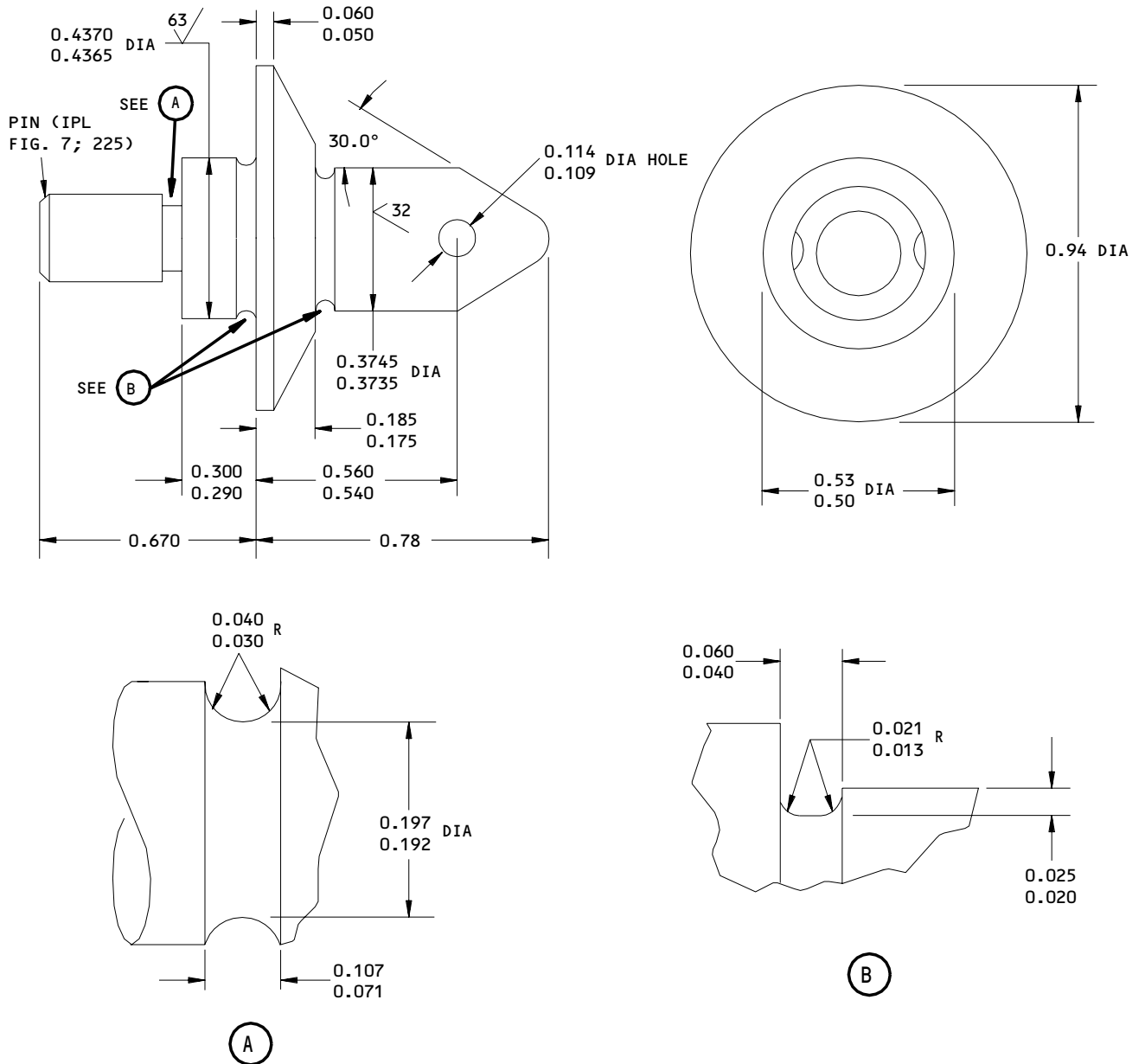
71-11-33

REPAIR 8-1

Page 612

Jul 01/03

01.1



REFINISH

CADMIUM PLATE, TYPE 2, CLASS 2, AND APPLY ONE COAT BMS 10-11, TYPE 1 PRIMER (F-16.01); DIMENSIONS SHOWN APPLY AFTER PLATING AND FINISH COATING. SURFACE TEXTURE DESIGNATIONS APPLY BEFORE PLATING OR FINISH COATING

MATERIAL: 15-5PH CRES, HT TR (150-170 KSI)

ALL DIMENSIONS ARE IN INCHES

315T3423-1
 Refinish of Pin
 Figure 604

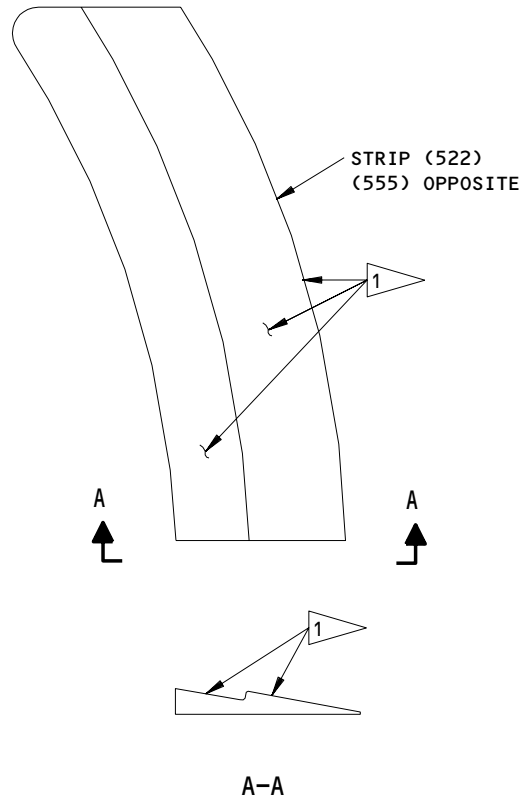
71-11-33

REPAIR 8-1

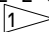
01.1

Page 613

Jul 01/03



REFINISH

CHROMIC ACID ANODIZE, TYPE 1 (F-17.04) AND APPLY BMS 10-79, TYPE 2 PRIMER (F-19.46) ALL OVER. APPLY BMS 10-60, TYPE 2 GLOSS ENAMEL ON AREAS INDICATED BY 

MATERIAL: ALUMINUM ALLOY

ITEM NUMBERS REFER TO IPL FIG. 7

 APPLY ENAMEL TO THESE AREAS

315T3411-1, -2
 Refinish of Strip
 Figure 605

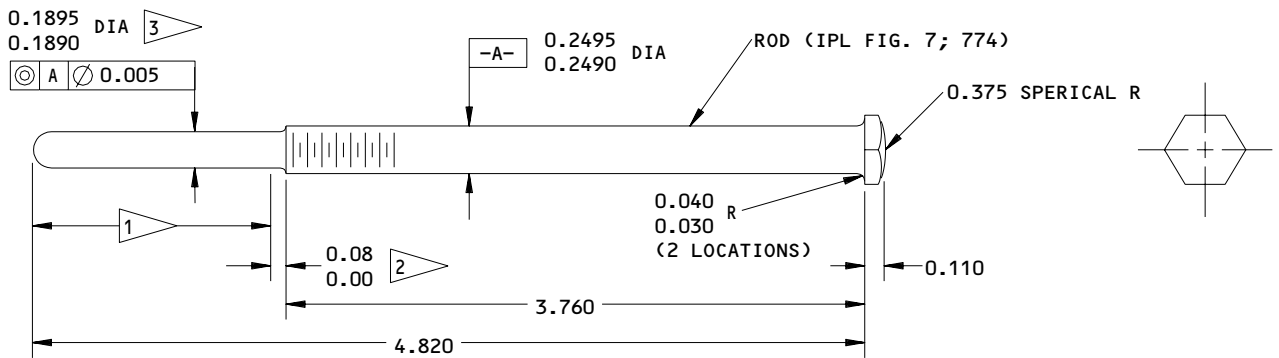
71-11-33

REPAIR 8-1

Page 614

Jul 01/03

01.1



REFINISH

MATERIAL: 15-5PH CRES, HT TR (180-200 KSI)

PREPARE SURFACE AND PASSIVATE (F-17.09)
 CHROME PLATE (F-15.03) ON INDICATED AREA

ALL DIMENSIONS ARE IN INCHES

- 1 CHROME PLATE THIS AREA
- 2 NO CHROME PLATE IN THIS AREA
- 3 DIMENSIONS APPLY AFTER PLATING

315T1452-2
 Refinish of Rod
 Figure 606

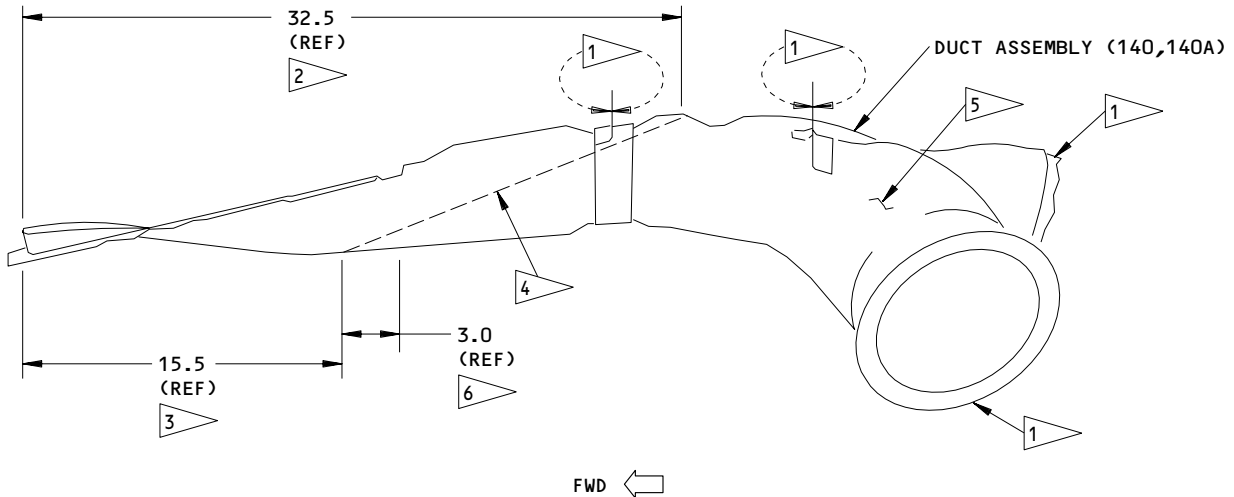
71-11-33

REPAIR 8-1

01.1

Page 615

Jul 01/03



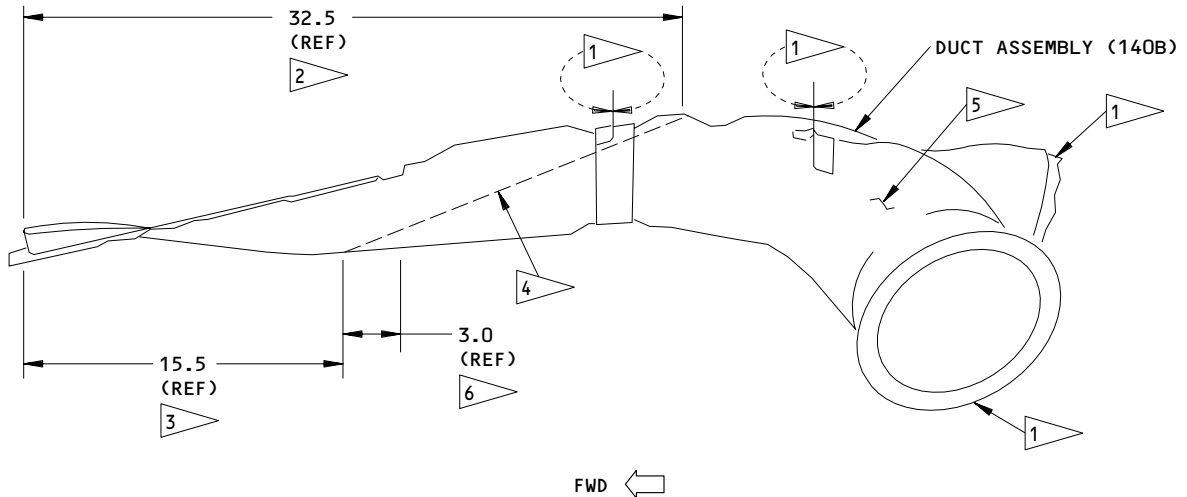
REFINISH

AFTER FUNCTIONAL TESTING APPLY ONE COAT BMS 10-11, TYPE 1 PRIMER (F-20.02) TO EXTERIOR SURFACES OF DUCT ASSEMBLY. INTERIOR SURFACES: APPLY NO FINISH. APPLY MA-25S AS FOLLOWS:

ITEM NUMBERS REFER TO IPL FIG. 9
 ALL DIMENSIONS ARE IN INCHES

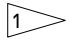
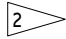
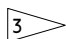
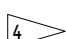
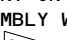


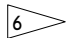
- 1 NO MA-25S REQUIRED
- 2 ON FAN DUCT SIDE OF DUCT ASSEMBLY NO MA-25S IS REQUIRED FORWARD OF THIS POINT
- 3 ON ENGINE CASE SIDE OF DUCT ASSEMBLY NO MA-25S IS REQUIRED FORWARD OF THIS POINT
- 4 THE ZERO THICKNESS POINT ON THE SIDES OF THE DUCT ASSEMBLY WILL VARY LINEARLY BETWEEN 2 AND 3
- 5 3/8 INCH OF MA-25S ON REMAINDER OF DUCT ASSEMBLY
- 6 TAPER MA-25S FROM ZERO TO 3/8 INCH, EXCEPT NO MA-25S ON FLANGES

315T3125-16,-19
 Refinish of Duct Assembly
 Figure 607

**REFINISH**

AFTER FUNCTIONAL TESTING APPLY ONE COAT
 BMS 10-11, TYPE 1 PRIMER (F-20.02) TO
 EXTERIOR SURFACES OF DUCT ASSEMBLY.
 INTERIOR SURFACES: APPLY NO FINISH. APPLY
 CROWN-METRO AS FOLLOWS:

ITEM NUMBERS REFER TO IPL FIG. 9
 ALL DIMENSIONS ARE IN INCHES

-  NO CROWN-METRO REQUIRED
-  ON FAN DUCT SIDE OF DUCT ASSEMBLY
NO CROWN-METRO IS REQUIRED FORWARD OF
THIS POINT
-  ON ENGINE CASE SIDE OF DUCT ASSEMBLY
NO CROWN-METRO IS REQUIRED FORWARD OF THIS
POINT
-  THE ZERO THICKNESS POINT ON THE
SIDES OF THE DUCT ASSEMBLY WILL
VARY LINEARLY BETWEEN  AND 
-  0.32 INCH OF CROWN-METRO ON REMAINDER
OF DUCT ASSEMBLY
-  TAPER CROWN-METRO FROM ZERO TO 0.32 INCH,
EXCEPT NO CROWN-METRO ON FLANGES

315T3125-31
 Refinish of Duct Assembly
 Figure 608

71-11-33

REPAIR 8-1

01.1

Page 617

Jul 01/03

COWL CATCH - REPAIR 9-1

315T3554-2

NOTE: Refer to REPAIR-GENERAL for a list of applicable standard practices.

1. Cowl Catch Replacement (IPL Fig. 1, 12)

- A. Mark location of cowl catch on rivet bond assembly (365A, 365L, IPL Fig. 1; 256, 256L, IPL Fig. 12) to locate replacement cowl catch. Remove cowl catch (364, IPL Fig. 1; 250L, IPL Fig. 12).
- B. Position replacement cowl catch on rivet bond assembly to the forward/aft dimension shown in Fig. 601 and the location marked in step 1.A.
- C. Drill 0.1885-0.1905 inch diameter holes in replacement cowl catch to match existing holes in rivet bond assembly. Drill two outboard cowl catch holes first. Install temporary fasteners to secure the cowl catch to the rivet bond assembly. Drill the four remaining holes.

NOTE: Replacement cowl catch does not have fastener holes drilled.
- D. Remove all temporary fasteners.
- E. Deburr holes.
- F. Install bolts (363, IPL Fig. 1; 249L, IPL Fig. 12) and collars (363L, IPL Fig. 1; 250, IPL Fig. 12), six locations.

2. Refinish

- A. Cowl catch (364, IPL Fig. 1; 250L, IPL Fig. 12) -- Cadmium plate (F-15.06) and apply two coats Desoto high temperature polyurethane primer, type 51 (F-19.43). Material: 15-5PH CRES, 180-200 ksi.

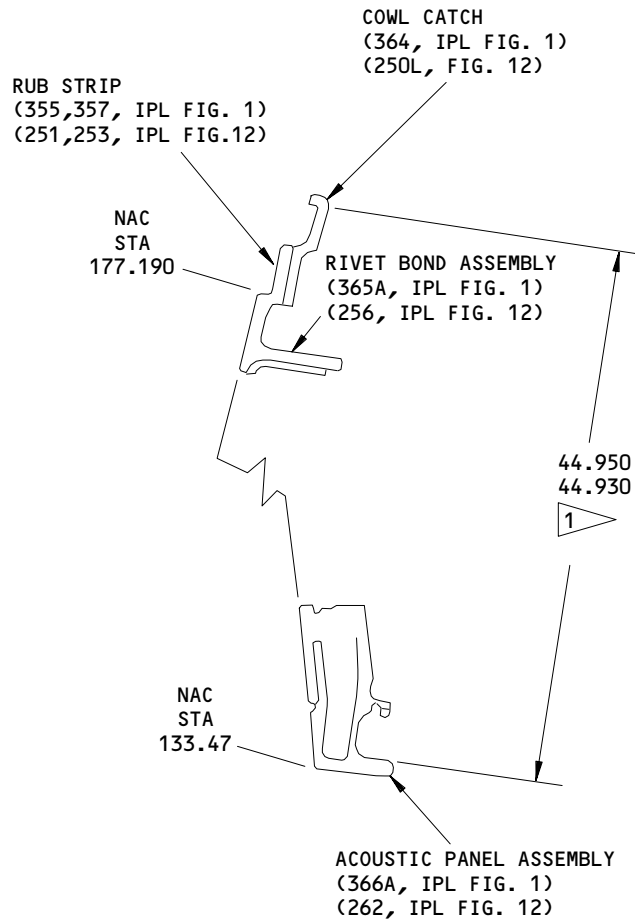
71-11-33

REPAIR 9-1

01.1

Page 601

Sep 01/95



1 FORWARD/AFT DIMENSION

ALL DIMENSIONS ARE IN INCHES

315T3554-2

Cowl Catch Replacement
 Figure 601

71-11-33

REPAIR 9-1

Page 602

Sep 01/95

01.1

ASSEMBLY1. Materials

NOTE: Equivalent substitutes may be used.

- A. Adhesive -- Type 60 (Ref 20-50-12)
-- Type 68 (Ref 20-50-12)
-- RTV157 (Ref 20-60-04)
- B. Coating, Clear Skydrol Resistant -- 683-3-2 base, X-310A catalyst (Ref 20-60-02)
- C. Compound, Ablative -- MA-25S (Ref 20-60-04), (REF CMM 71-00-01 for application)
- D. Compound, Corrosion Preventive -- MIL-C-11796, Class 3 (Ref 20-60-04)
- E. Lockwire -- MS20995C32, MS20995C41, or MS20995C47
- F. Parting Agent -- Strippable vinyl coating 4A-183 (Ref 20-60-04) or coating consisting of one part by weight vinyl tubing, four parts by weight cyclohexanone, and one part by weight F20629 pigment.
- G. Primer -- BMS 10-11, type 1 (Ref 20-60-02)
- H. Sealant -- BMS 5-63C, Class B-4 (Ref 20-60-04)
-- BMS 5-63 (Ref 20-60-04)
- I. Coating, insulative -- Crown-metro (Ref 20-60-04)

CAUTION: ONLY TITANIUM OR CORROSION RESISTANT STEEL FASTENERS SHALL BE USED WITH GRAPHITE COMPOSITES. SUBSTITUTION WITH ALUMINUM OR PLATED ALLOY STEEL FASTENERS IS NOT ALLOWED AS GALVANIC CORROSION WILL SHORTEN COMPONENT SERVICE LIFE.

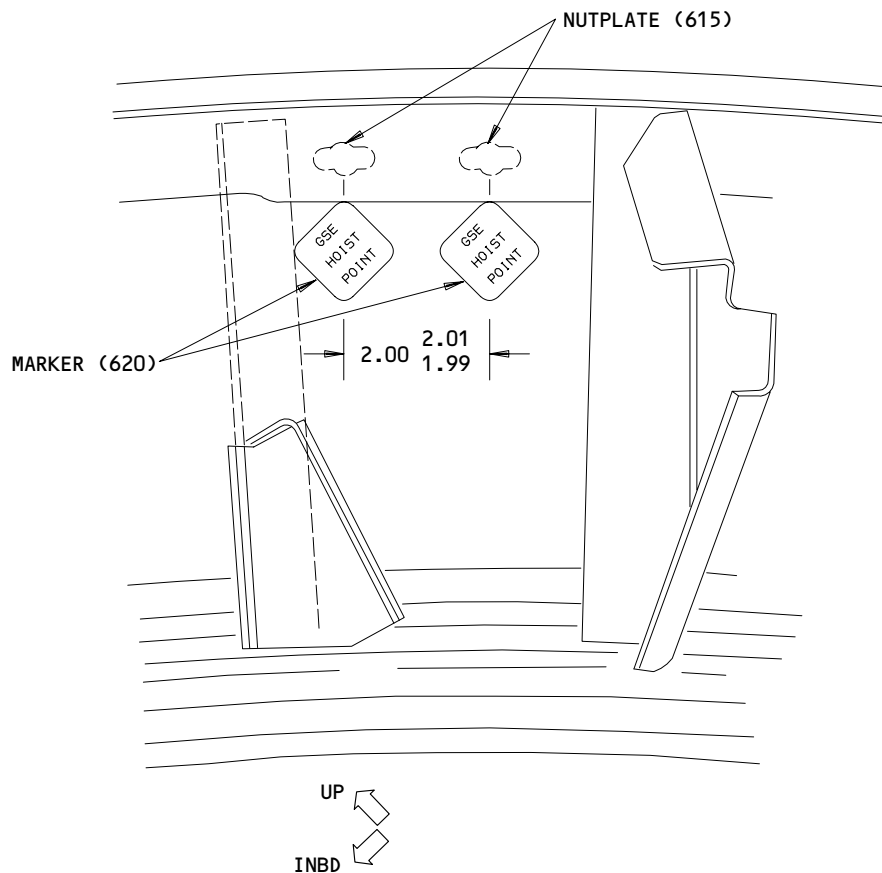
2. Assembly

- A. Use standard industry practices for the assembly of this component plus the following procedures.
- B. Assembly of Torque Box Installation (IPL Fig. 3).
 - (1) Apply BMS 10-11, type 1 primer to nutplates (275, 315, 350, 390, 600, 615), omitting primer from threads, and assemble wet.

71-11-33ASSEMBLY
Page 701
Mar 01/95

01.1

- (2) Apply a light coat of BMS 10-11, type 1 primer to insert (365). Install insert 1 1/2 to 2 1/2 turns below top of tapped hole. Remove tangs.
- (3) Install shims (110, 115, 120) if and as required same thickness as removed (see Disassembly). Apply BMS 10-11, type 1 primer and install wet or dry.
- (4) Bond marker (620) per 20-50-05 as shown in Fig. 701. Seal edges using clear Skydrol resistant topcoating.



ALL DIMENSIONS ARE IN INCHES

Installation of Markers
 Figure 701

221582

71-11-33

ASSEMBLY
 Page 702
 Jul 10/86

01

C. Assembly of Upper Bifurcation Installation (IPL Fig. 5).

- (1) Apply BMS 10-11, type 1 primer to nutplates (150, 155, 160, 380, 385, 440, 500), omitting primer from threads.
- (2) Delaminate shims (130, 345, 345A, 350, 350A) as required. Gap prior to fastener installation shall be 0.005 inch maximum with a maximum shim thickness of 0.062 inch. Apply BMS 10-11, type 1 primer to shims and install wet or dry between the following parts:
 - (a) Shim (130) between filler (135, 140) and contacting structure.
 - (b) Shims (345, 345A, 350, 350A) between attach assembly (355, 355A, 360, 360A) and contacting structure.
- (3) Apply faying surface seal of BMS 5-63 sealant between the following parts:
 - (a) Bracket assembly (270) and contacting structure.
 - (b) Attach assembly (355, 355A, 360, 360A) and panel assembly (235, 235A).
 - (c) Pad assemblies (425, 430, 485, 490) and panel assembly (235, 235A).

CAUTION: DO NOT DRIVE INSTALL RIVETS OR STRUCTURAL DAMAGE COULD RESULT.

- (4) Install rivet (100, 145, 375, 435, 495) by squeeze method only.
- (5) Apply BMS 10-11, type 1 primer to liners (215, 215B, 220, 220B) and assemble wet.
- (6) Lockwire bolt (200) to one or both holes in liner (215, 215B, 220, 220B).

CAUTION: DO NOT FILLET SEAL COLLARS COVERED WITH MA-25S PER FIG. 706 OR THE ABLATIVE COMPOUND WILL BE OBSTRUCTED.

- (7) Install all fasteners that penetrate panel assembly (235, 235A) with wet BMS 5-63 sealant under heads and fillet seal collars.

71-11-33

01

ASSEMBLY
Page 703
Jul 10/86

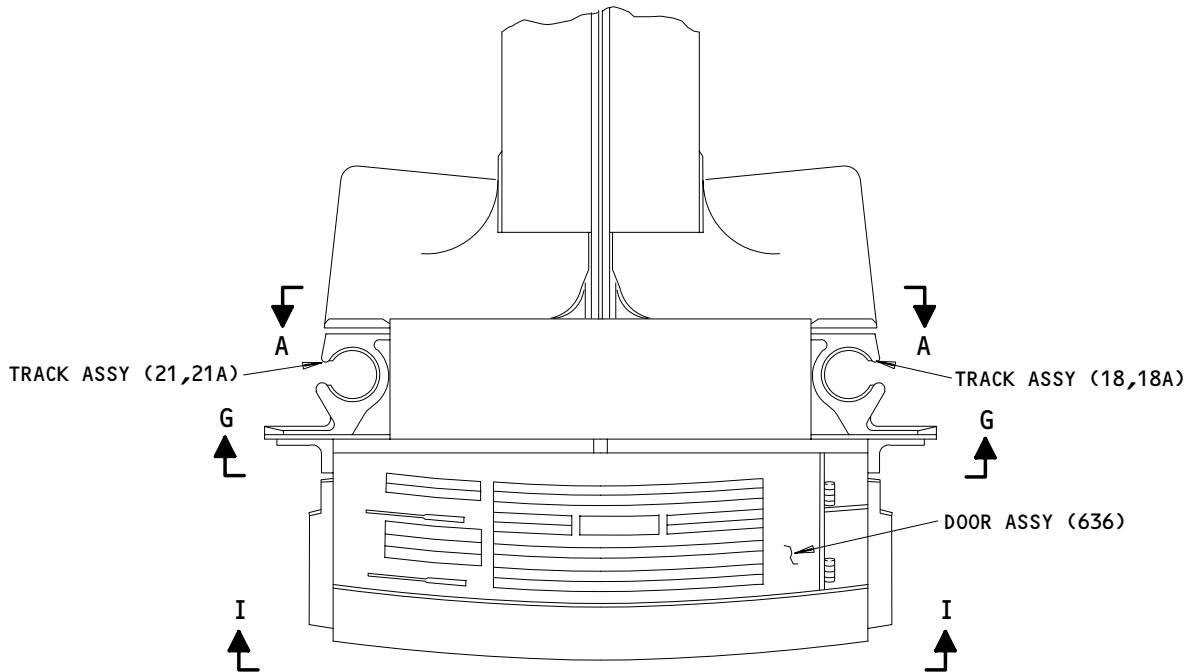
D. Assembly of Lower Bifurcation Assembly (IPL Fig. 7).

- (1) Apply BMS 10-11, type 1 primer to nutplates (492, 495, 513) omitting primer from threads.
- (2) Use shims (171, 174, 177, 180, 183) if and as required. Delaminate shims as required to adjust gap between track assembly (18, 18A, 21, 21A) and contacting structure. Gap after shimming and prior to fastener pull up to be 0.000-0.010 inch. Apply BMS 10-11, type 1 primer to shims and install wet.
- (3) Shims (171, 174, 177) may be made up with shorter length increments that include a minimum of two fastener locations each.
- (4) Apply faying surface seal of BMS 5-63 sealant to both sides of shims (171, 174, 177, 180, 183).
- (5) Apply faying surface seal of BMS 5-63 sealant between the following parts:
 - (a) Track assembly (18, 18A, 21, 21A) and contacting structure.
 - (b) Fitting assembly (312, 312A) and contacting structure.
 - (c) Hinges (672, 675) and door (732).
 - (d) Latch (693) and door (732).
 - (e) Brackets (708) and door (732).
- (6) No clamp-up permitted for installation of bolts (249, 375). Use additional washer or combination of washers (252, 255, 258, 261, 378, 381, 384, 387) to maintain 0.01-0.02 inch gap.
- (7) Secure hinge pin (654) per 20-50-02.
- (8) Install all fasteners which penetrate aluminum honeycomb with BMS 5-63 sealant under heads. Fillet seal collars and nuts with BMS 5-63 sealant except those covered by MA-25S as shown on Fig. 706.
- (9) Fill pockets in bifurcation assembly as shown in Fig. 702.
- (10) Assemble latch signal installation (735) as shown in IPL Fig. 7. Lockwire (MS20995C41) nuts (738) together per 20-50-02.

71-11-33

ASSEMBLY
Page 704
Jul 10/86

01

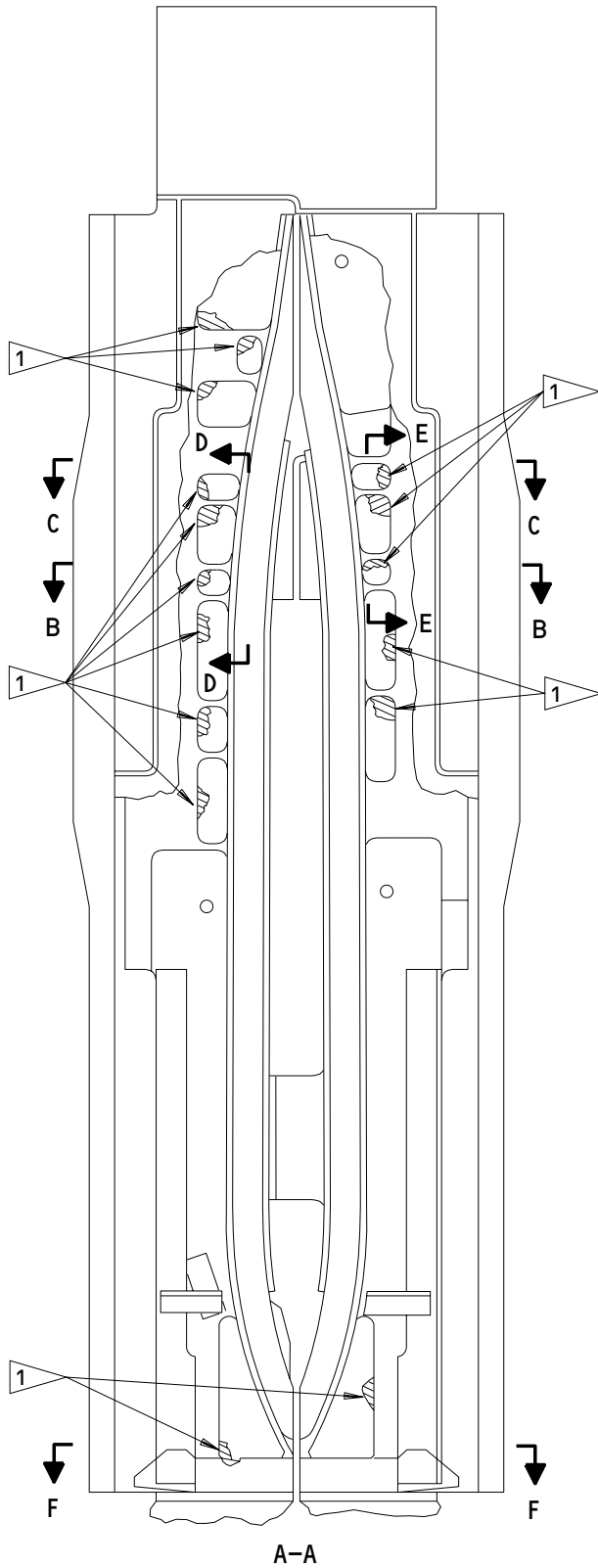


Application of Leveling Compound
Figure 702 (Sheet 1)

71-11-33

ASSEMBLY
Page 705
Jul 10/86

01

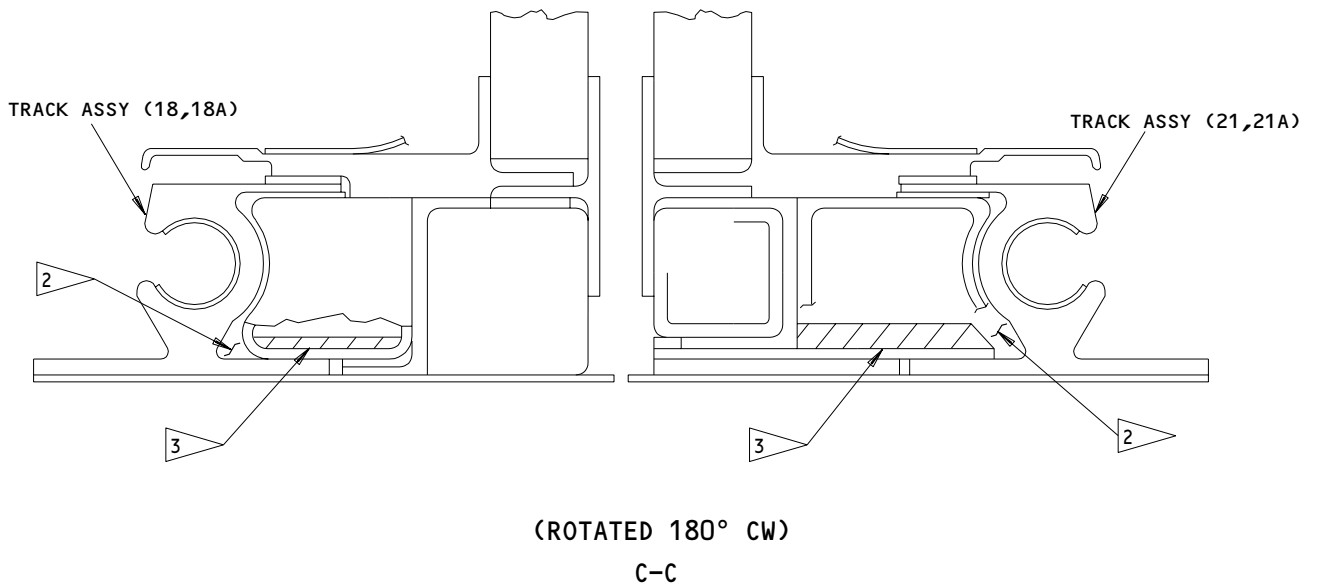
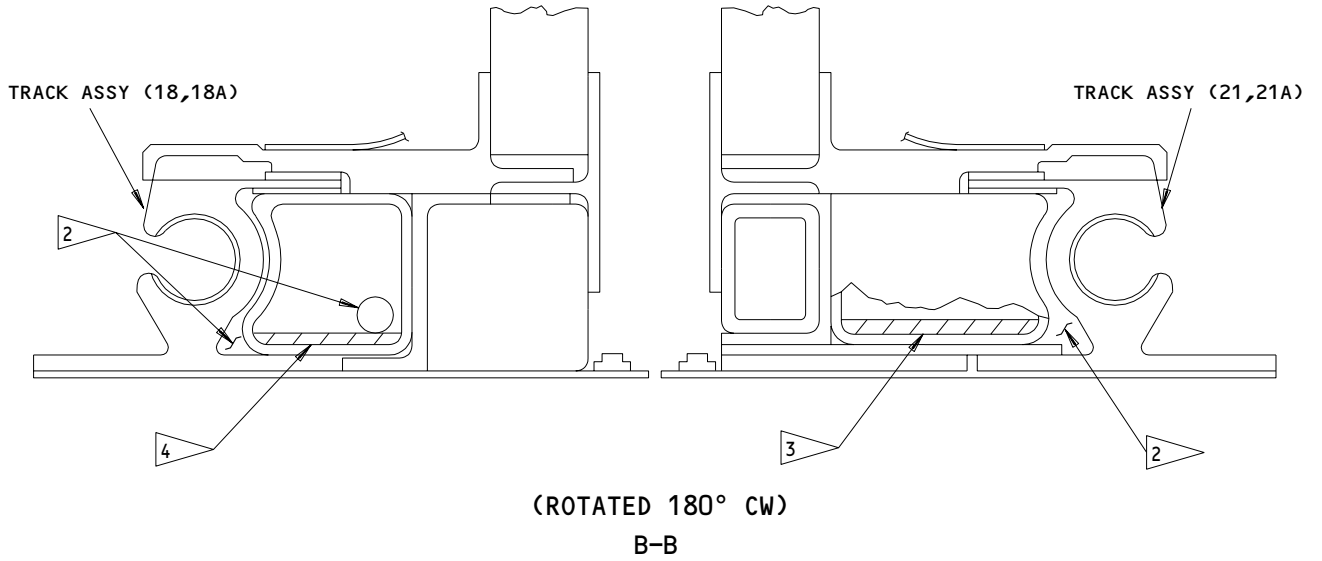


- 1 FILL POCKET OR RECESS LEVEL WITH OUTER EDGE USING BMS 5-63 SEALANT
- 2 CAUTION: DRAIN PATH. DO NOT PLUG OR OBSTRUCT
- 3 FILL POCKET OR RECESS APPROXIMATELY AS SHOWN. SLOPES SHOWN AFT 4-7 DEGREES. SLOPES SHOWN INBD OR OUTBOARD 7-10 DEGREES. PLUG OPENINGS AS SHOWN. USE BMS 5-63 SEALANT
- 4 FILL POCKET APPROXIMATELY AS SHOWN TO DRAIN TO HOLE OR LEVEL SURFACES WITH DRAIN PATH. FILL WITH BMS 5-63 SEALANT

Application of Leveling Compound
 Figure 702 (Sheet 2)

71-11-33

ASSEMBLY
 Page 706
 Jul 10/86

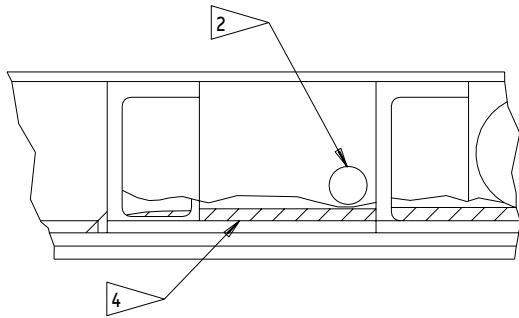


Application of Leveling Compound
Figure 702 (Sheet 3)

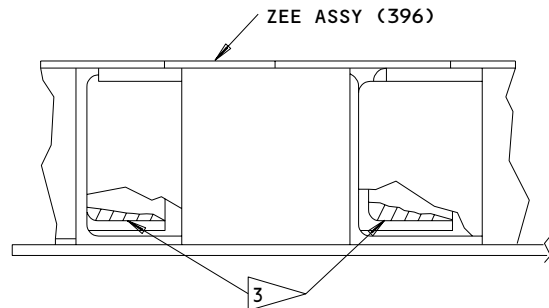
71-11-33

ASSEMBLY
Page 707
Jul 10/86

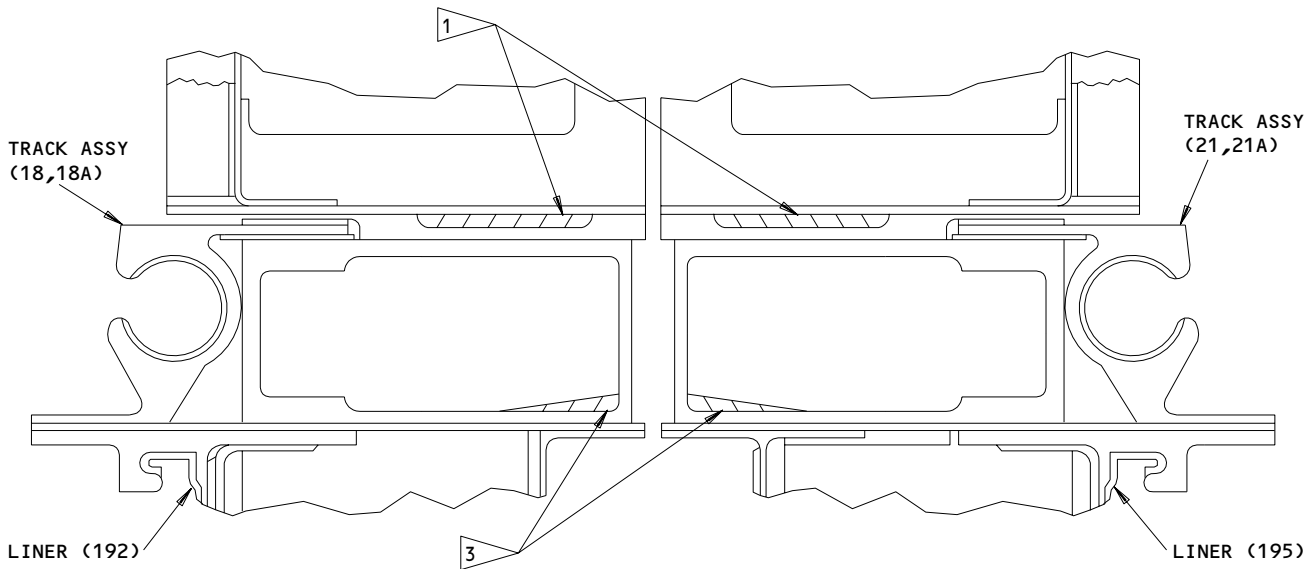
01



(ROTATED 90° CW)
 D-D



(ROTATED 90° CCW)
 E-E



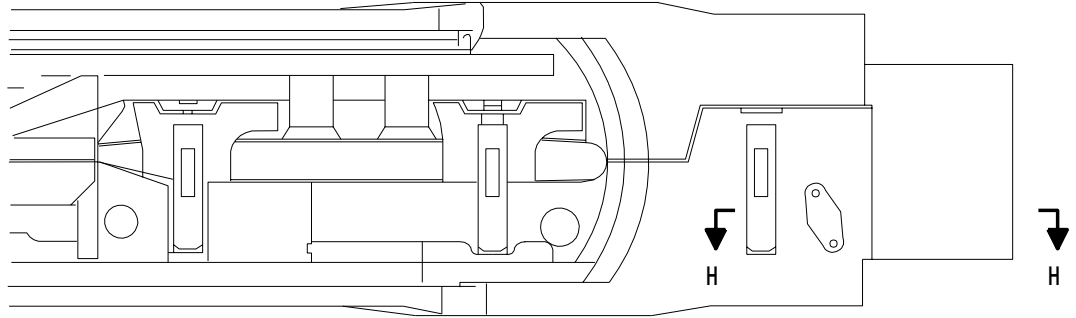
(ROTATED 180° CW)
 F-F

Application of Leveling Compound
 Figure 702 (Sheet 4)

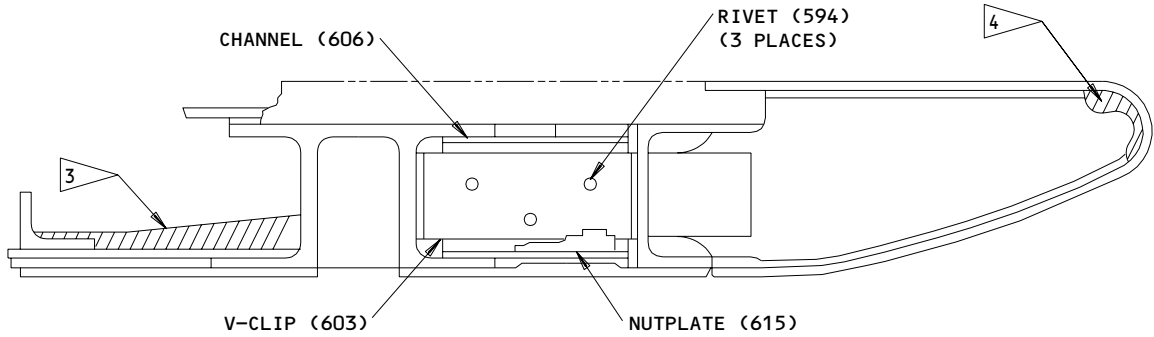
71-11-33

ASSEMBLY
 Page 708
 Jul 10/86

01



(ROTATED 90° CW)
G-G



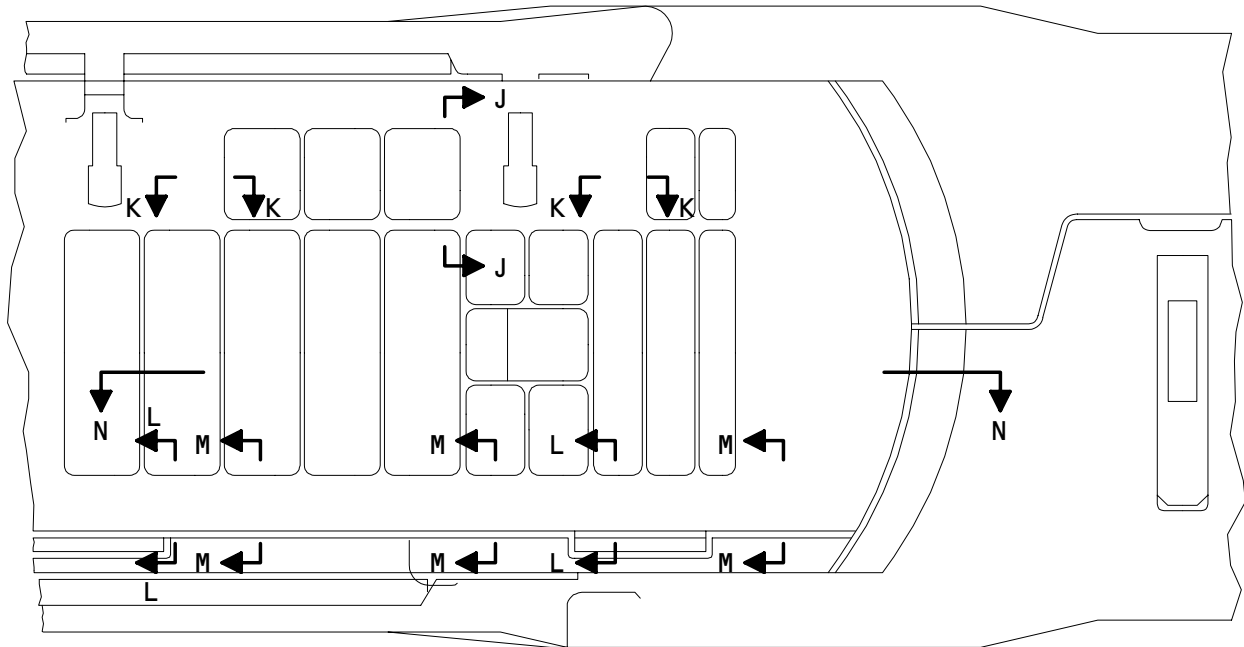
H-H

Application of Leveling Compound
Figure 702 (Sheet 5)

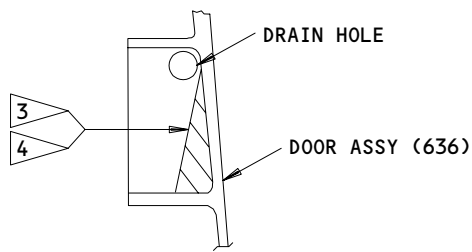
71-11-33

ASSEMBLY
Page 709
Jul 10/86

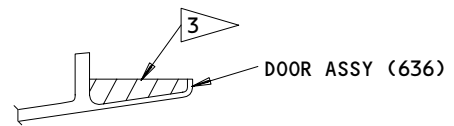
01



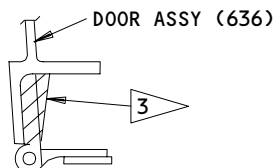
I-I



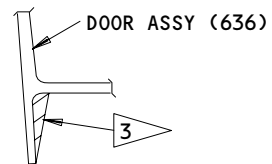
J-J



K-K



L-L



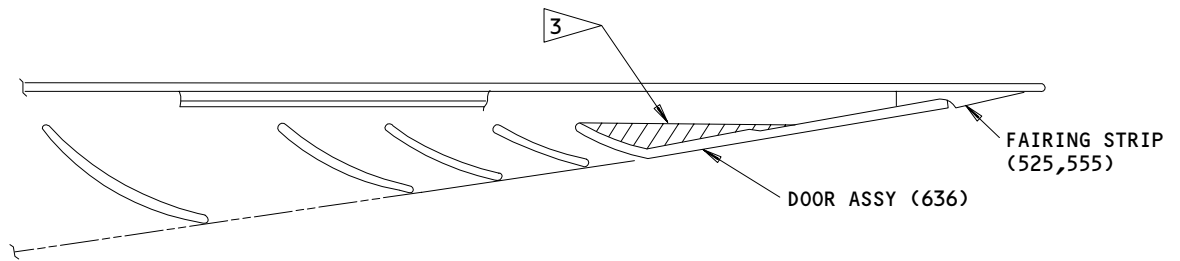
M-M

Application of Leveling Compound
 Figure 702 (Sheet 6)

71-11-33

ASSEMBLY
 Page 710
 Jul 10/86

01



N-N

Application of Leveling Compound
 Figure 702 (Sheet 7)

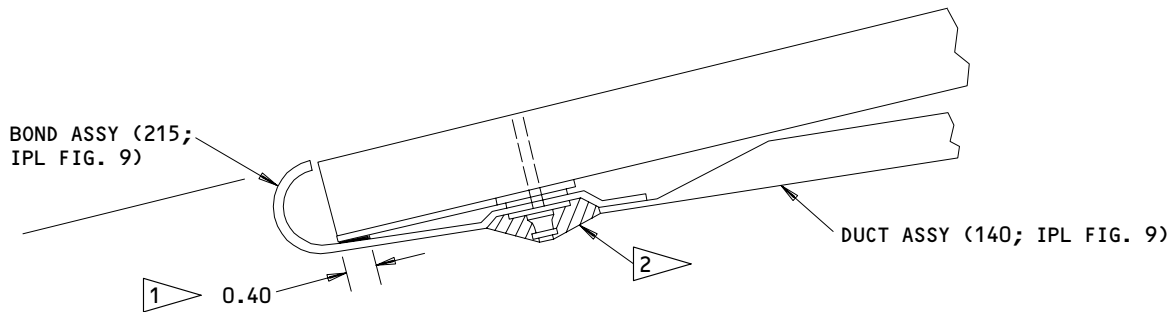
E. Assembly of Duct Installation (IPL Fig. 9).

- (1) Adjust thickness of shims (15, 25, 35, 80) to meet aerodynamic smoothness requirements.
- (2) Apply BMS 5-63 sealant to shims (15, 25, 35, 45, 55, 65, 80, 230) and install.
- (3) Just prior to installing inlet duct assembly (140) run a bead of BMS 5-63 sealant 0.15 inch high. Bead of sealant to be placed on inlet duct assembly as shown in Fig. 703.
- (4) Install bolts (5) with wet BMS 5-63 sealant under head and fillet seal collar (10).
- (5) Fill channel groove of lip bond assembly (215) using BMS 5-63 sealant per Fig. 703.
- (6) Seal around the following parts using BMS 5-63: inlet duct assembly (140), inlet moldings (90, 95), and bond assembly (215).

71-11-33

 ASSEMBLY
 Page 711
 Jul 10/86

01



1 APPLY BEAD OF SEALANT HERE

2 FILL CHANNEL WITH SEALANT

ALL DIMENSIONS ARE IN INCHES

Installation of Bond Assembly
Figure 703

F. Assembly of Cowl Assembly (1, 5, 10, 15, IPL Fig. 1).

- (1) Apply BMS 10-11, type 1 primer to nutplates (45, 85, 85A, 112, 112A, 148, 184, 217, 256, 438, 446, 456, 466, 476, 486), omitting primer from threads, and assemble wet.
- (2) Apply BMS 10-11, type 1 primer to tags (91, 91A, 133, 133A, 169, 202, 235, 274) and assemble wet.

CAUTION: DO NOT DRIVE INSTALL RIVETS OR STRUCTURAL DAMAGE COULD RESULT.

- (3) Install rivets (33, 48, 70, 70A, 88, 88A, 109, 109A, 115, 115A, 130, 130A, 145, 151, 166, 181, 199, 214, 234, 253, 271) squeeze method only.

221592

71-11-33

ASSEMBLY
Page 712
Mar 01/95

01.1

**BOEING**
COMPONENT
MAINTENANCE MANUAL

- (4) Solvent clean and prime countersink and counterbore surfaces of holes for bolts (414) using BMS 10-11, type 1 primer. Allow primer to dry and apply MIL-C-11796, class 3 corrosion preventive compound to all areas of hole and immediately install bolts.
- (5) Use shims (502, 532) if and as required. Delaminate shims as required to effect 0.010 inch maximum pull-down between the following. Maximum shim thickness 0.063 inch. Apply BMS 10-11, type 1 primer to shims and install wet or dry.
 - (a) Shim (532) between upper bifurcation installation (535, 536) and ring assembly (806, 808).
- (6) Apply parting agent to surfaces of torque box installation (289, 292) and ring assembly (806, 806A, 808, 808A) mating with cascade assemblies (28, 28A, 30, 30A, 60, 60A, 63, 63A, 66, 66A, 68, 68A, 97, 97A, 100, 100A, 103, 103A, 106, 106A, 139, 139A, 142, 142A, 175, 175A, 178, 178A, 208, 208A, 211, 211A, 241, 241A, 244, 244A, 247, 247A, 250, 250A).
- (7) Locate cascade assemblies on fan duct cowl assembly in positions indicated in Fig. 707.
- (8) Install bolts (380, 382, 384, 386) with wet BMS 5-63 sealant under heads and over nutplates on cascade assemblies.
- (9) Tighten bolts (380, 382, 384, 386) to 72-88 pound-inches.
- (10) Apply removable faying surface seal of BMS 5-63 sealant between support assembly (35, 85, 90, IPL Fig. 6) and upper bifurcation installation (534, 536). Apply parting agent to mating surface of bifurcation installation.
- (11) Apply an intermediate pressure faying surface seal of BMS 5-63 sealant between flange of system installation (1, IPL Fig. 2) and wall assembly (350, 353, IPL Fig. 2). Also apply BMS 5-63 sealant between bracket assembly (210, 215, IPL Fig. 2) and wall assembly.
- (12) Electrically bond screw (5, IPL Fig. 2), and jumper (25, IPL Fig. 2) per 20-11-03 (max. resistance 0.003 ohms).
- (13) Pot and bond gaskets (314) using type 68 adhesive per 20-50-12, flush with outer skin.
- (14) Apply faying surface seal of BMS 5-63 sealant between duct assembly (344, 347) and wall assembly (350, 353). Center duct assembly in cutout to within 0.01 inch.

71-11-3301.1 ASSEMBLY
Page 713
Jul 01/04

- (15) Fill gaps 0.05 inch or greater between wall assembly (350, 353) and duct assembly (344, 347) using BMS 5-63 sealant.
- (16) Adjust thickness of shim (936) to meet aerodynamic smoothness requirements per Fig. 708.
- (17) Bond end joints of seals (10 thru 25, IPL Fig. 6) using type 60 adhesive per 20-50-12.
- (18) Seal open areas and fill gaps in seal installation (634, 636, 636A, 638) using BMS 5-63C, class B-4.

G. Assembly of Cowl Assembly (1, 3, 5, 7, IPL Fig. 12)

- (1) Apply BMS 10-11, type 1 primer to nutplates (337, 345, 355, 365, 375, 385), omitting primer from threads, and assemble wet.
- (2) Apply BMS 10-11, type 1 primer to tags (29, 49, 75, 97, 119, 137, 167) and assemble wet.

CAUTION: DO NOT DRIVE INSTALL RIVETS OR STRUCTURAL DAMAGE COULD RESULT.

- (3) Install rivets (13, 27, 35, 47, 59, 73, 81, 97, 103, 117, 123, 135, 147, 165) squeeze method only.
- (4) Solvent clean and prime countersink and counterbore surfaces of holes for bolts (301) using BMS 10-11, type 1 primer. Allow primer to dry and apply MIL-C-11796, class 3 corrosion preventive compound to all areas of hole and immediately install bolts.
- (5) Use shims (401, 431) if and as required. Delaminate shims as required to effect 0.010 inch maximum pull-down between the following. Maximum shim thickness 0.063 inch. Apply BMS 10-11, type 1 primer to shims and install wet or dry.
 - (a) Shim (431) between upper bifurcation installation (263, 265) and ring assembly (691, 693, 749, 751).

71-11-33

ASSEMBLY

01.1

Page 714

Mar 01/95

**BOEING**
COMPONENT
MAINTENANCE MANUAL

- (6) Apply parting agent to surfaces of torque box installation (201, 203) and ring assembly (691, 693, 749, 751, 753, 755) mating with cascade assemblies (9, 11, 31, 33, 51, 53, 55, 57, 77, 79, 99, 101, 121, 139, 141, 143, 145).
- (7) Locate cascade assemblies on fan duct cowl assembly in positions indicated in Fig. 707.
- (8) Install bolts (279, 283) with wet BMS 5-63 sealant under heads and over nutplates on cascade assemblies.
- (9) Tighten bolts (279, 283) to 72-88 pound-inches.
- (10) Apply removable faying surface seal of BMS 5-63 sealant between support assembly (35, 85, 90, IPL Fig. 6) and upper bifurcation installation (263, 265). Apply parting agent to mating surface of bifurcation installation.
- (11) Apply an intermediate pressure faying surface seal of BMS 5-63 sealant between flange of system installation (1, IPL Fig. 2) and wall assembly (350, 353, IPL Fig. 2). Also apply BMS 5-63 sealant between bracket assembly (210, 215, IPL Fig. 2) and wall assembly.
- (12) Electrically bond screw (5, IPL Fig. 2), and jumper (25, IPL Fig. 2) per 20-11-03 (max. resistance 0.003 ohms).
- (13) Pot and bond gaskets (217) using type 68 adhesive per 20-50-12, flush with outer skin.
- (14) Apply faying surface seal of BMS 5-63 sealant between duct assembly (237, 239) and wall assembly (241, 243). Center duct assembly in cutout to within 0.01 inch.
- (15) Fill gaps 0.05 inch or greater between wall assembly (241, 243) and duct assembly (237, 239) using BMS 5-63 sealant.
- (16) Adjust thickness of shim (819) to meet aerodynamic smoothness requirements per Fig. 708.
- (17) Bond end joints of seals (10 thru 25 , IPL Fig. 6) using type 60 adhesive per 20-50-12.
- (18) Seal open areas and fill gaps in seal installation (267,271) using BMS 5-63C, class B-4.

71-11-33ASSEMBLY
01.1 Page 715
Mar 01/95

H. Installation of Seal Installation (IPL Fig. 8)

- (1) Install rivet (75) by squeeze or drive method.
- (2) Cut seal (40) to size and bond in place using type 68 or 60 adhesive per 20-50-12.
- (3) Bond pad (175) to spacer (170) using type 68 adhesive per 20-50-12. Optional: Use type 60 adhesive per 20-50-12 or RTV 157 adhesive where applicable.
- (4) Bond plug (100) to seal (110) per step (3).
- (5) Trim seal (20) and seal assembly (180, 185) as required to match structure.
- (6) Trim seal assembly (90, 95) to match adjacent seals.
- (7) Bond the following to contacting structure using type 68 or 60 adhesive per 20-50-12: Cover (55). Seals (20, 25, 35, 60, 70), and seal assemblies (90, 95, 165, 180, 185).
- (8) Fillet seal any openings between seal (60) and structure using type 68 or 60 adhesive per 20-50-12.

CAUTION: DO NOT CLOSE OPENING IN SEAL ASSEMBLY (90, 95) WHEN BONDING TO ADJACENT SEAL AND PROVIDE A VENT FOR BULB SEAL

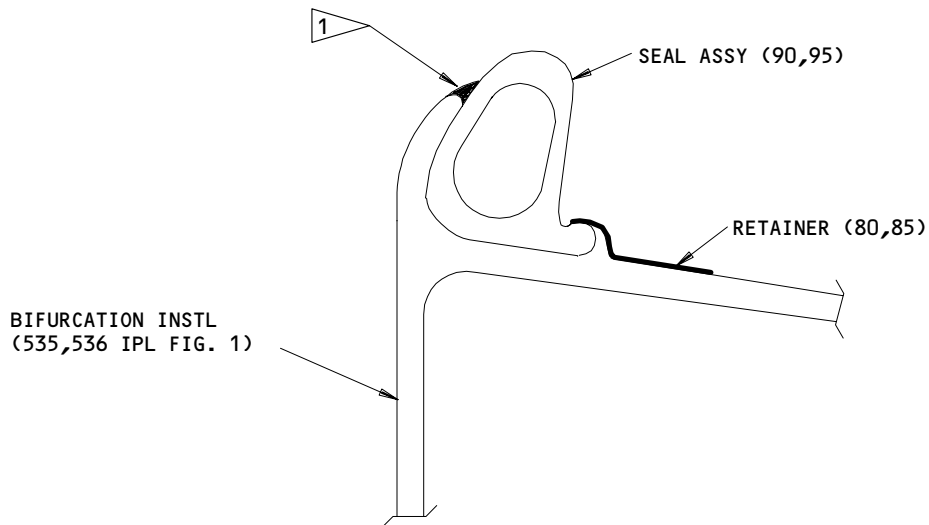
- (9) Apply faying surface seal of BMS 5-63 sealant between seal assembly (120, 120A, 125, 125A) and contacting structure.
- (10) Install bolt (130) using wet BMS 5-63 sealant under bolt head and fillet seal collar (135).

71-11-33

ASSEMBLY
Page 716
Mar 01/95

01.101

- (11) Apply fillet bond using type 68 adhesive per 20-50-12 between seal (65) and seal assembly (120, 120A, 125, 125A). Apply similar fillet bond as shown in Fig. 704.



1 FILLET BOND SEAL ASSEMBLY TO STRUCTURE USING
 TYPE 68 ADHESIVE PER 20-50-12

Bonding of Seal Figure 704

I. Install all fasteners exposed to airflow as follows:

- (1) Hi-Lok fasteners and lockbolt head protrusions are to be:
 - (a) 90% must be flush within +0.005 to -0.003 inch.
 - (b) 10% must be flush within +0.007 to -0.005 inch.
- (2) All countersunk screws and bolts shall have head protrusions within +0.005 to -0.010 inch.

71-11-33

01.101

 ASSEMBLY
 Page 717
 Mar 01/95

- (3) Shear head rivets (BACR15CE) are to be driven as follows:
 - (a) 90% must be flush within +0.005 to -0.000 inch.
 - (b) 10% must be flush within +0.007 to -0.005 inch.
 - (4) All flush aluminum alloy rivets shall be driven with head protrusion within +0.007 to -0.001 inch.
- J. Install all fasteners passing through composite panels with wet BMS 5-63 sealant under heads and fillet seal collars.

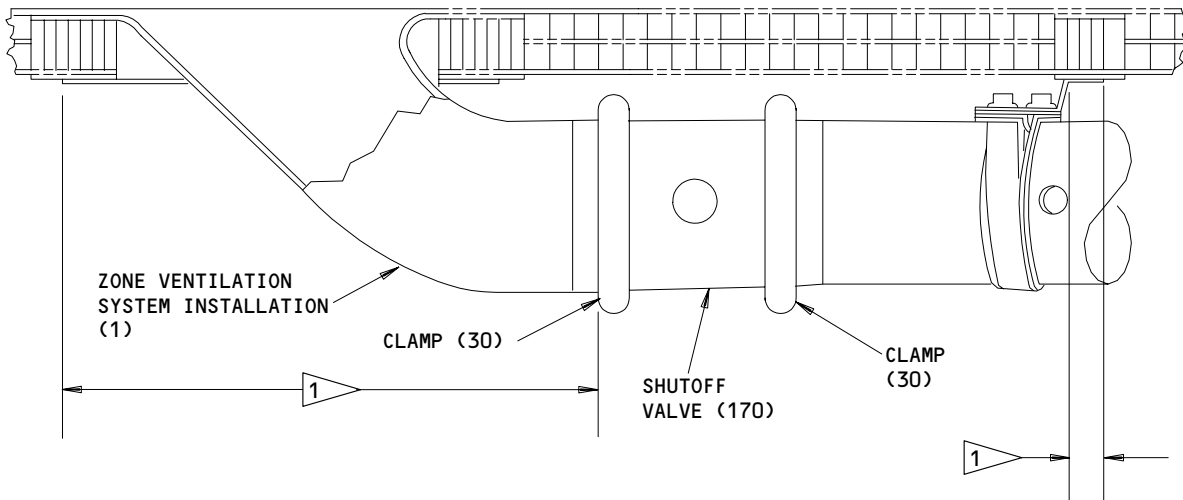
K. Apply Crown-Metro ablative coating as follows:

CAUTION: DO NOT COVER DRAIN HOLE OR DRAINAGE WILL BE PROHIBITED.

- (1) Apply to zone ventilation system installation (1, IPL Fig. 2) per Fig. 705.

CAUTION: DO NOT COVER DRAIN HOLE OR DRAINAGE WILL BE PROHIBITED.

- (2) Apply to completely cover exterior surface of flange of duct installation (924). One-eighth inch thick overspray on duct permissible.



1 APPLY MA-25S TO COMPLETELY COVER ZONE VENTILATION SYSTEM INSTALLATION (402) 1/8 INCH THICK AS SHOWN

ITEM NUMBERS REFER TO IPL FIG. 2

Application of Ablative Coating
 Figure 705

71-11-33

ASSEMBLY
 Page 718
 Mar 01/95

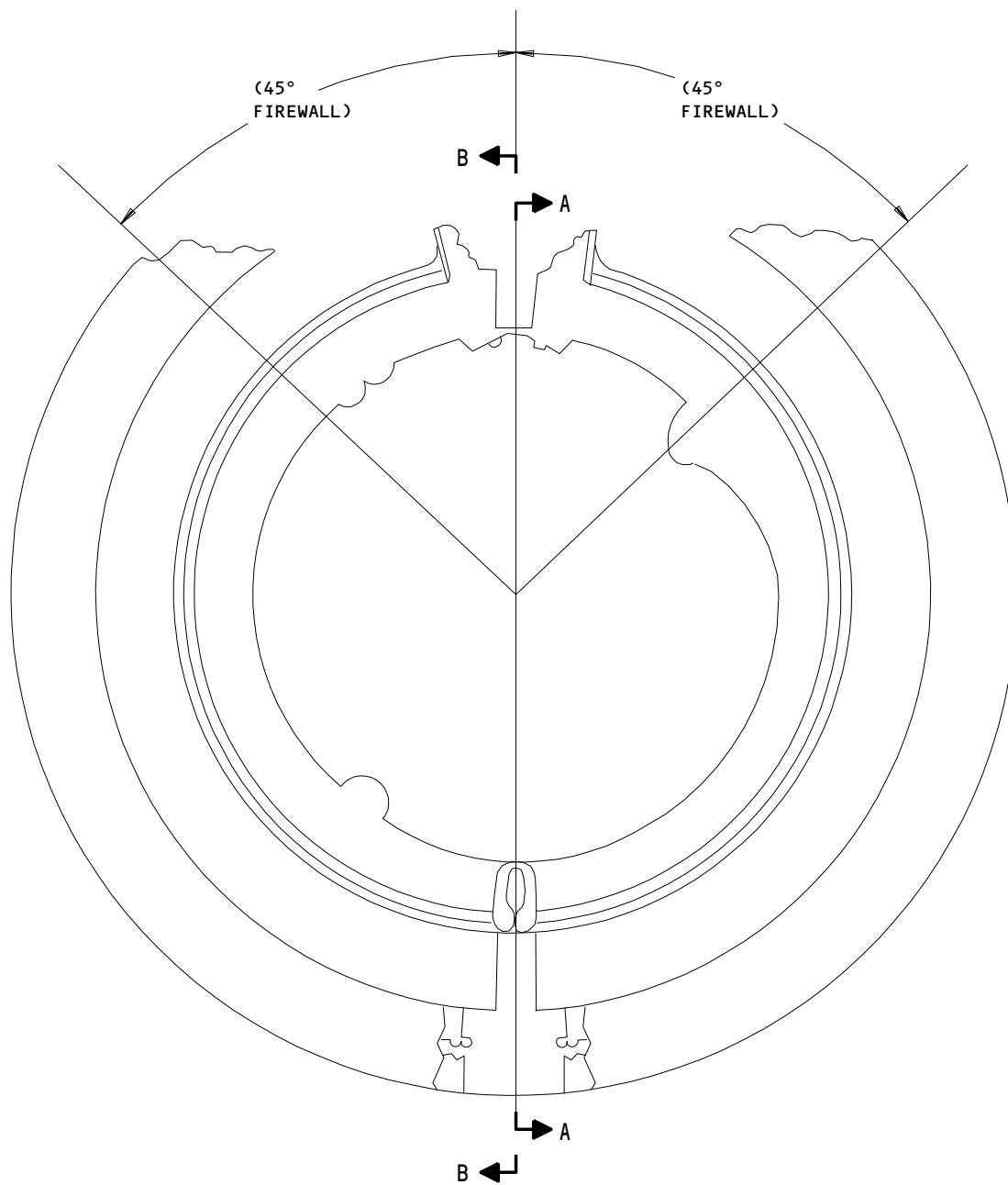
01.101

- L. Apply Crown-Metro ablative coating to fully assembled Fan Duct Cowl per Fig. 706 and the following:
- (1) Application of Crown Metro in restricted areas:
 - (a) Components mating within 3/16 inch after application of MA-25S may have close mating areas filled with MA-25S.
 - (b) Deep narrow pockets may also be filled.
 - (2) Application of Crown-Metro areas of system attachments: Ducts, hangers, clips, etc.
 - (a) In the case of precoated systems overspray attachments to form a continuous layer of Crown-Metro.
 - (b) In the case of uncoated systems overspray 1-2 inches beyond honeycomb base structure.
 - (c) The thickness of Crown-Metro shall be the precoated thickness or the typical thickness in the area.
 - (3) Application of Crown-Metro on inside corners may have up to 3 times the typical thickness.

71-11-33

01.101

ASSEMBLY
Page 719
Mar 01/95

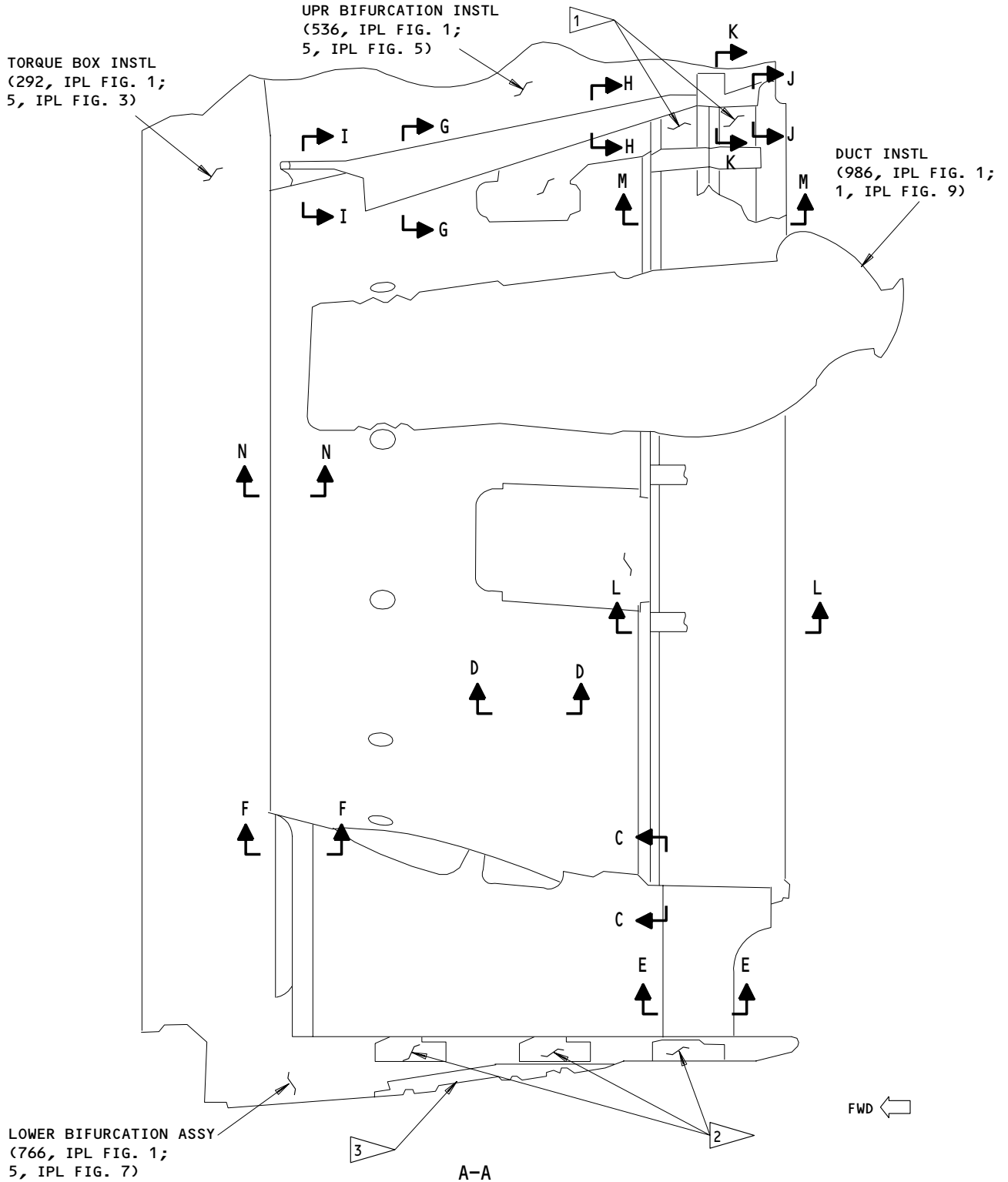


Application of MA-25S
Insulating and Ablative Coating
Figure 706 (Sheet 1)

71-11-33

ASSEMBLY
Page 720
Mar 01/95

01.101



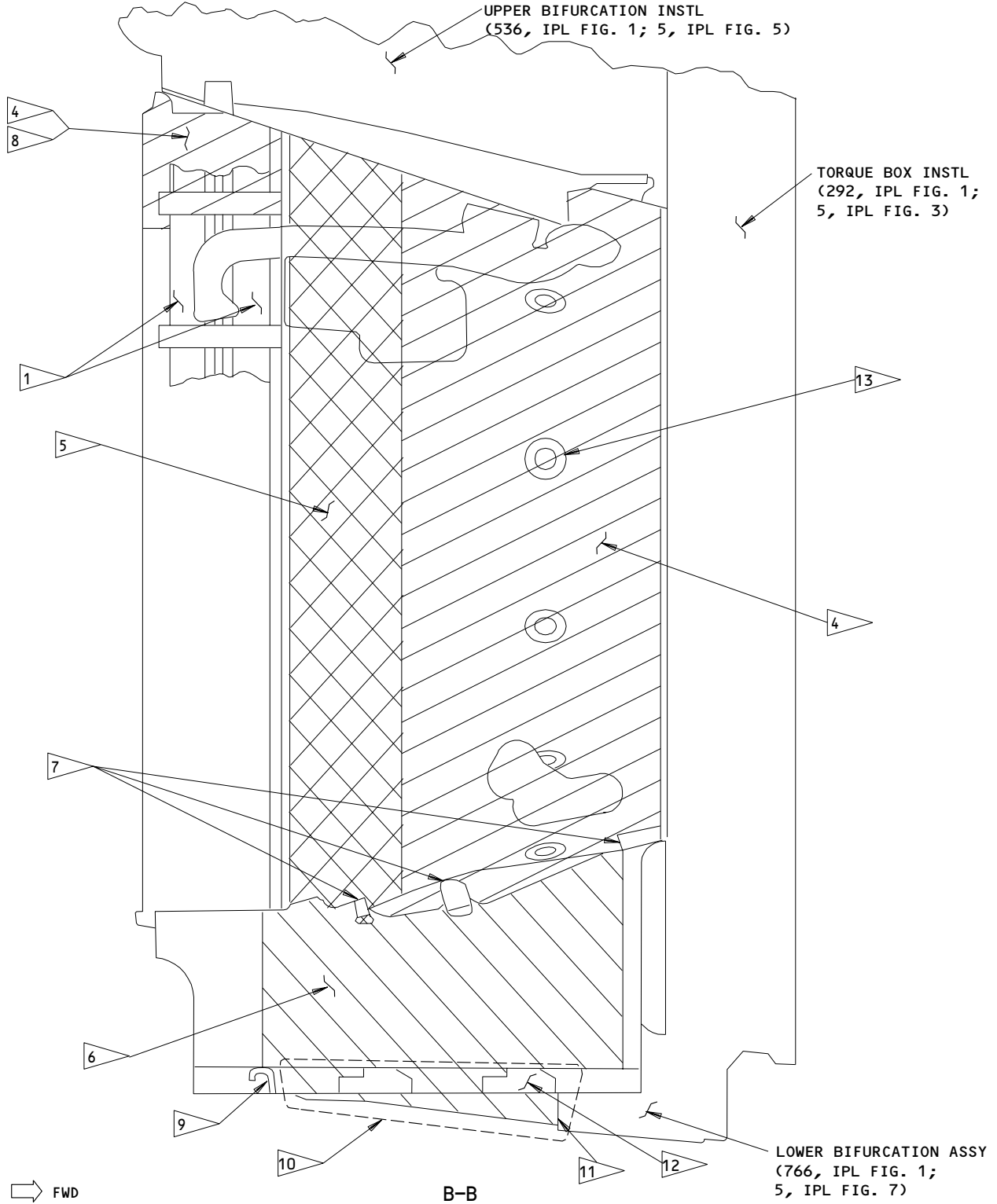
Application of MA-25S
Insulating and Ablative Coating
Figure 706 (Sheet 2)

71-11-33

ASSEMBLY
Page 721
Mar 01/95

01.101

**COMPONENT
MAINTENANCE MANUAL**



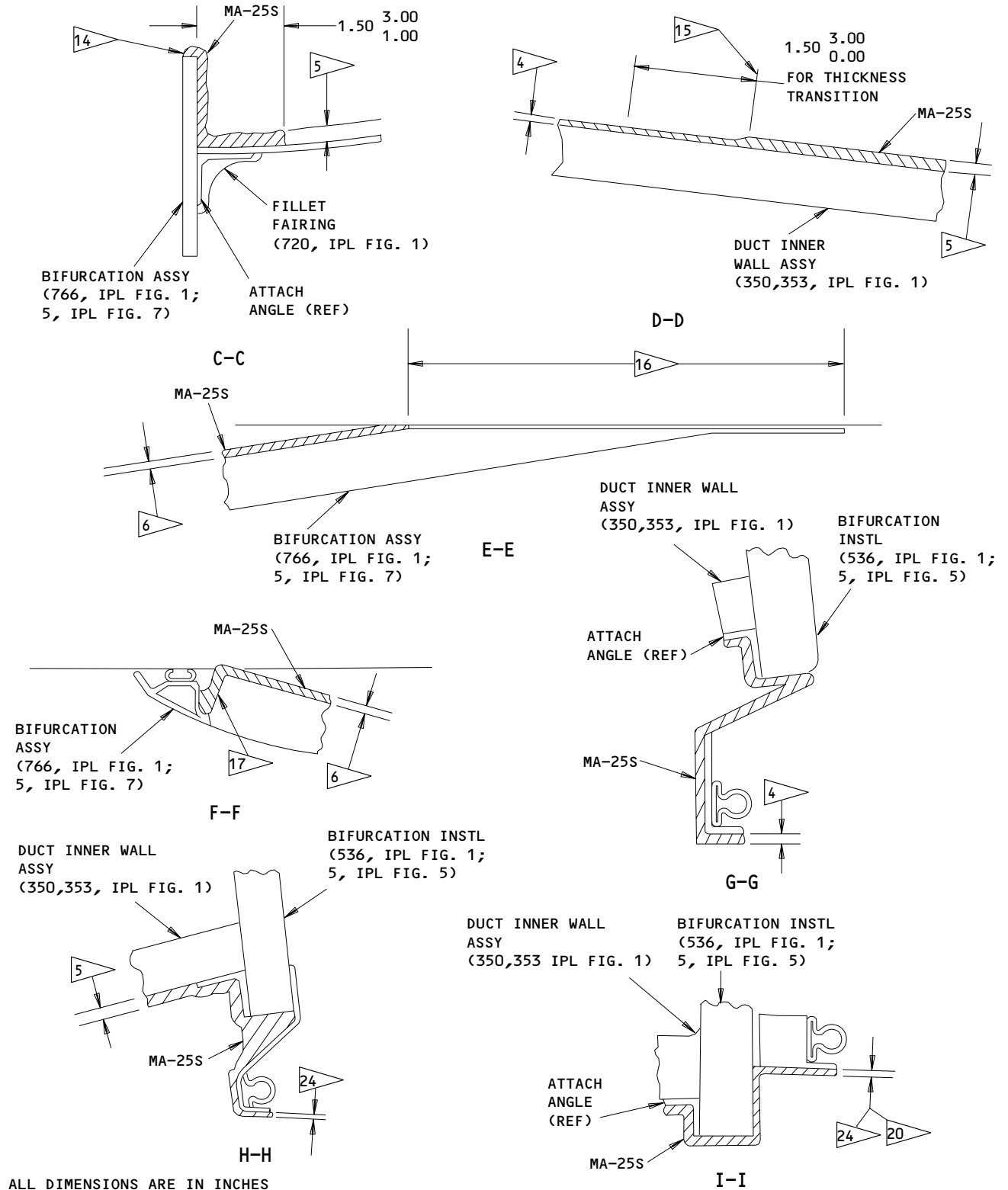
**Application of MA-25S
Insulating and Ablative Coating
Figure 706 (Sheet 3)**

71-11-33

ASSEMBLY
Page 722
Mar 01/95

01.101

BOEING COMPONENT MAINTENANCE MANUAL



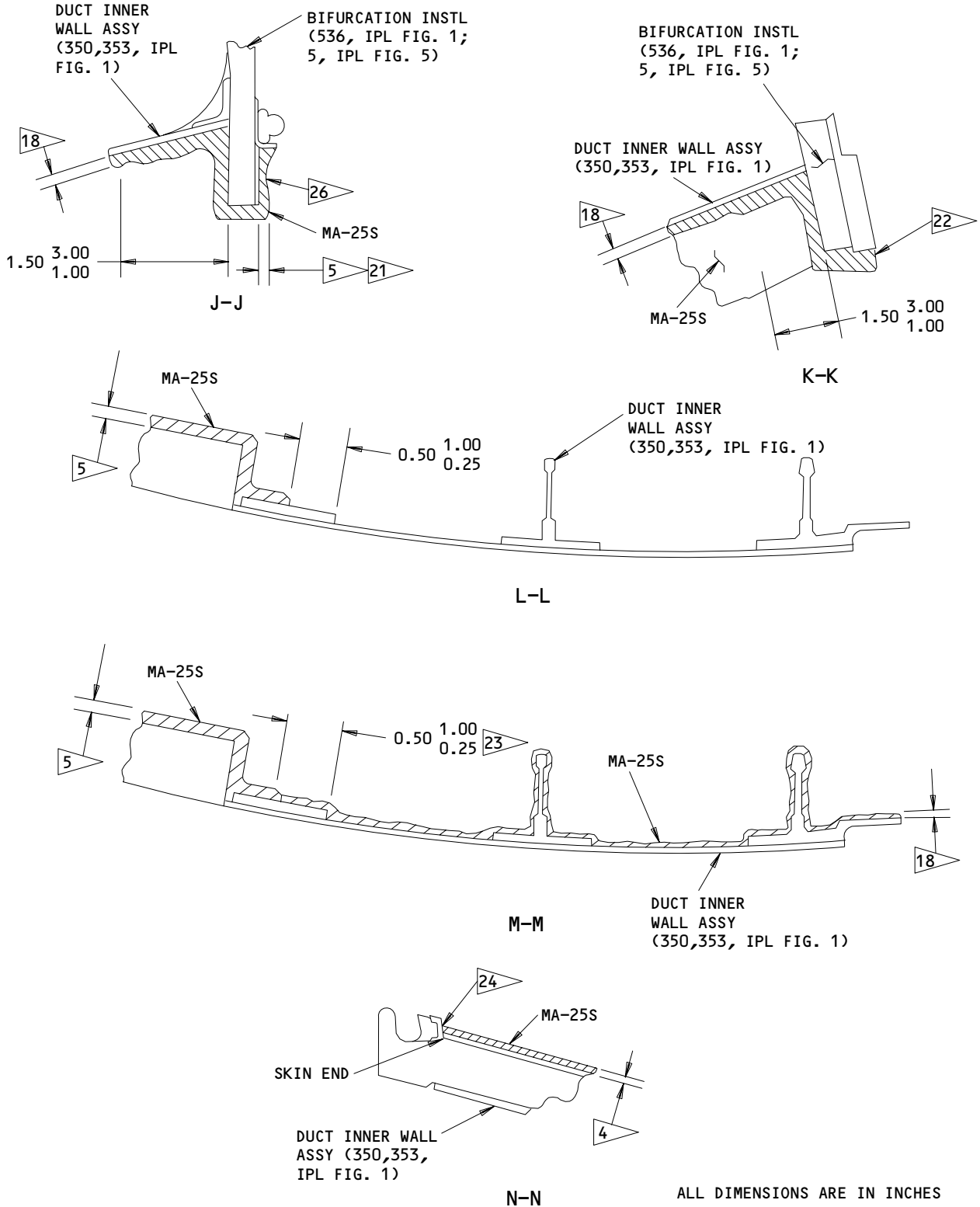
ALL DIMENSIONS ARE IN INCHES

Application of MA-25S
Insulating and Ablative Coating
Figure 706 (Sheet 4)

71-11-33

ASSEMBLY
Page 723
Mar 01/95

01.101



Application of MA-25S
 Insulating and Ablative Coating
 Figure 706 (Sheet 5)

71-11-33

ASSEMBLY
 Page 724
 Mar 01/95

01.101


BOEING
 COMPONENT
 MAINTENANCE MANUAL
FLAG NOTES

NOTE: ITEM NUMBERS APPLY TO IPL FIG. 7 UNLESS OTHERWISE STATED.

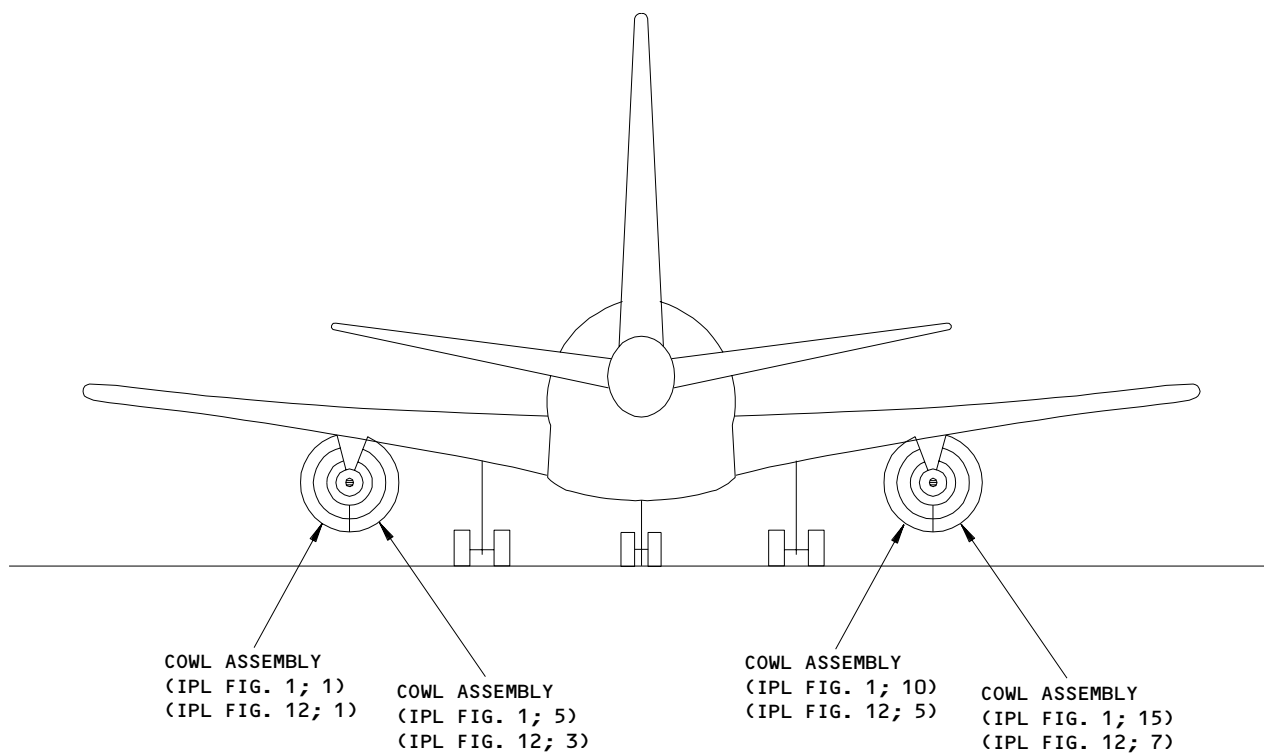
- | | |
|--|---|
| <p>1 STEEL SKIN DO NOT APPLY MA-25S</p> <p>2 DO NOT APPLY MA-25S TO MATING FACES OF LATCHES (372) AND SHEAR PIN (243) MOUNTINGS OR MASK AREA TO MATCH ON OPPOSITE HAND COWL ASSY'S. MA-25S WILL NOT BE PRESENT ON LATCH HANDLES AND MECHANISM.</p> <p>3 DO NOT APPLY MA-25S TO EXHAUST DOOR ASSY (636) OF LOWER BIFURCATION ASSY (692).</p> <p>4 0.090-0.110 INCH TYPICAL THICKNESS</p> <p>5 0.185-0.225 INCH TYPICAL THICKNESS</p> <p>6 0.125-0.150 INCH TYPICAL THICKNESS</p> <p>7 DO NOT APPLY MA-25S TO MATING FACES OF COMPRESSION PADS</p> <p>8 MA-25S THIS AREA OF UPPER 45° FIREPROOF BARRIER</p> <p>9 APPLY MA-25S TO FORWARD SURFACES OF SHEAR PIN (225) MOUNTING. DO NOT APPLY AFT OF MOUNTING.</p> <p>10 APPLY MA-25S TO ALL EXPOSED SURFACES IN AREA INDICATED. DO NOT PLUG OR OBSTRUCT DRAIN PATHS.</p> <p>11 APPLY MA-25S TO AFT SIDE OF INTERCOSTAL. DO NOT APPLY FWD OF INTERCOSTAL.</p> <p>12 DO NOT APPLY MA-25S TO AREA MATCHING THE MATING FACES OF THE LATCH (372) AND SHEAR PIN (243) MOUNTINGS.</p> <p>13 MASK OFF SUITABLE AREA FOR INSTALLATION OF LINK FITTING ASSEMBLIES (315T3102, 315T3103) REFERENCE CMM 78-31-11 FAN DUCT COWL AND THRUST REVERSER ASSEMBLY (6 PLACES)</p> | <p>14 MAINTAIN THICKNESS ALONG TOP OF PANEL</p> <p>15 APPROXIMATELY 33.5 INCHES FROM FORWARD END OF COWL ASSEMBLY</p> <p>16 DO NOT APPLY MA-25S TO FLAT AREA</p> <p>17 END MA-25S BETWEEN SEAL RETAINER AND HONEYCOMB CORE</p> <p>18 0.063-0.075 INCH TYPICAL THICKNESS</p> <p>19 DO NOT APPLY MA-25S BEYOND THE END OF THE PROTRUDING FLANGE BELOW SEAL (10)</p> <p>20 THICKNESS CONTINUES AFT OVER BOTTOM OF PANEL AS SHOWN</p> <p>21 COMPRESSION PAD ASSEMBLY (490, IPL FIG. 5) BREAKS SEAL. APPLY MA-25S ON BOTTOM OF PAD ASSEMBLY</p> <p>22 END OF 0.185 INCH THICKNESS AS SHOWN. 0.063 INCH THICKNESS OF MA-25S FOR FIREWALL IN THIS AREA</p> <p>23 END MA-25S BETWEEN AFT SIDE OF INTEGRAL SEAL RETAINER AND FORWARD OF SKINS</p> <p>24 0.250-0.300 INCH TYPICAL THICKNESS</p> <p>25 0.063-0.075 INCH TYPICAL THICKNESS</p> <p>26 0.250-0.300 INCH TYPICAL THICKNESS</p> |
|--|---|

Application of MA-25S
 Insulating and Ablative Coating
 Figure 706 (Sheet 6)

71-11-33

ASSEMBLY
 Page 725
 Mar 01/95

01.101



(REFERENCE VIEW ONLY TO SHOW AIRCRAFT POSITION)

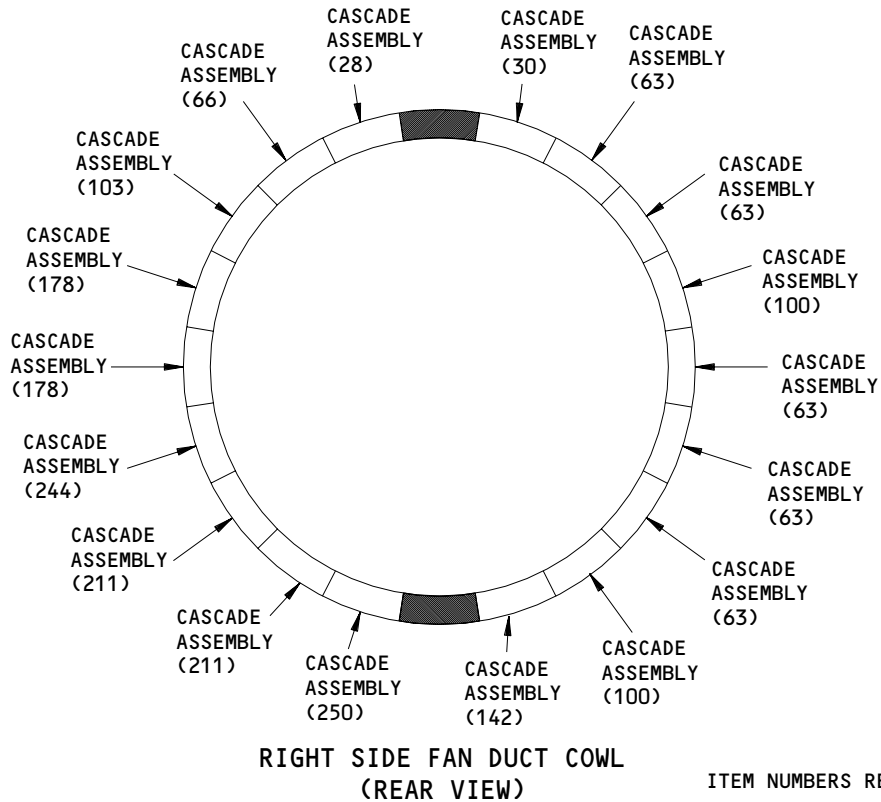
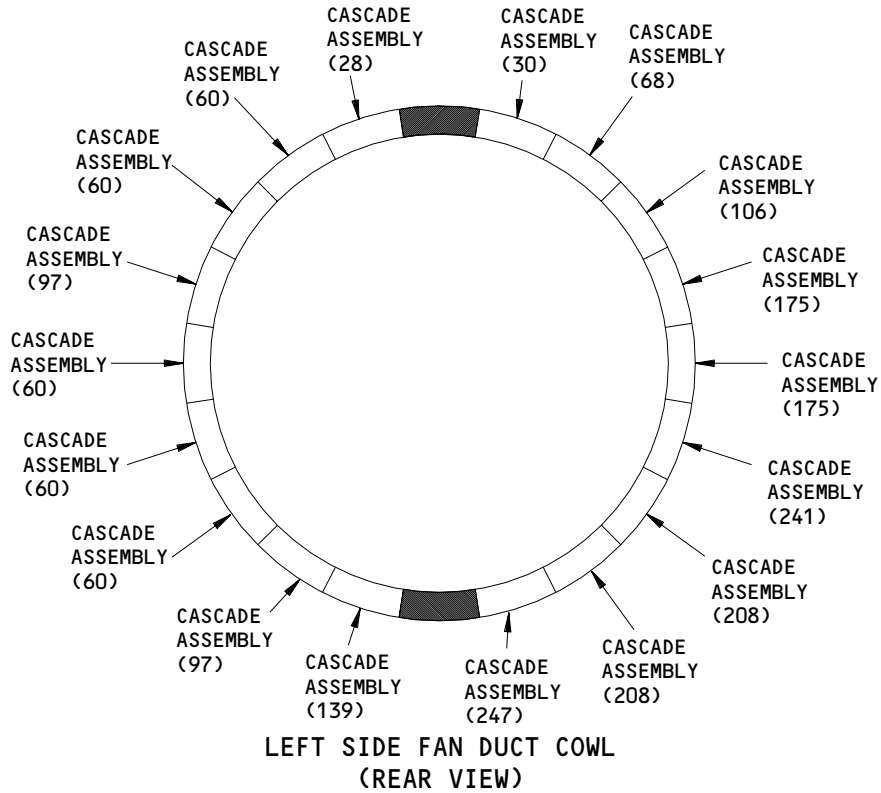
Cascade Arrangement
Figure 707 (Sheet 1)

71-11-33

ASSEMBLY
Page 726
Mar 01/95

01.1

BOEING COMPONENT MAINTENANCE MANUAL



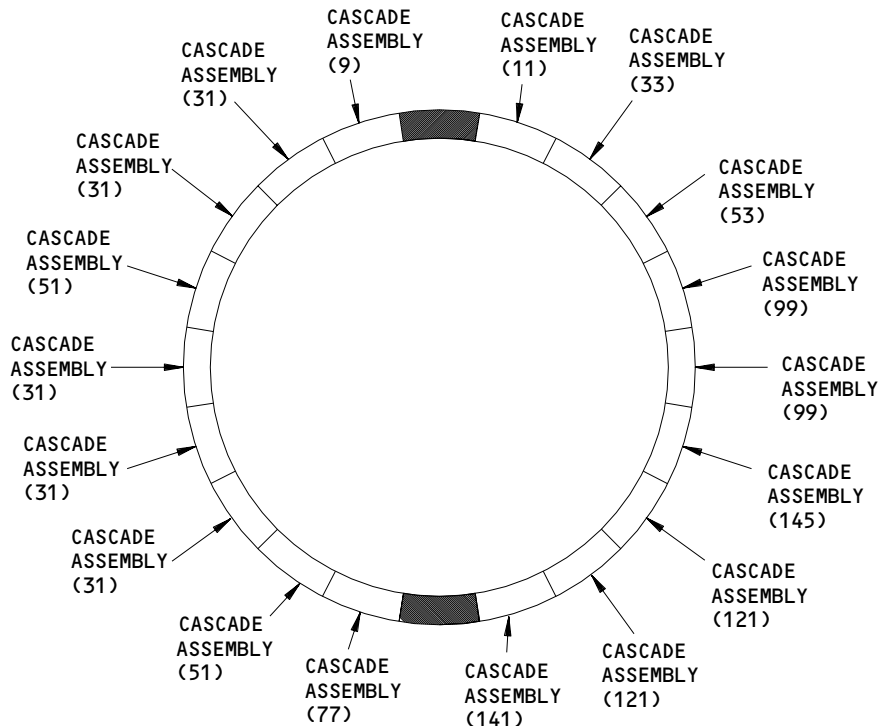
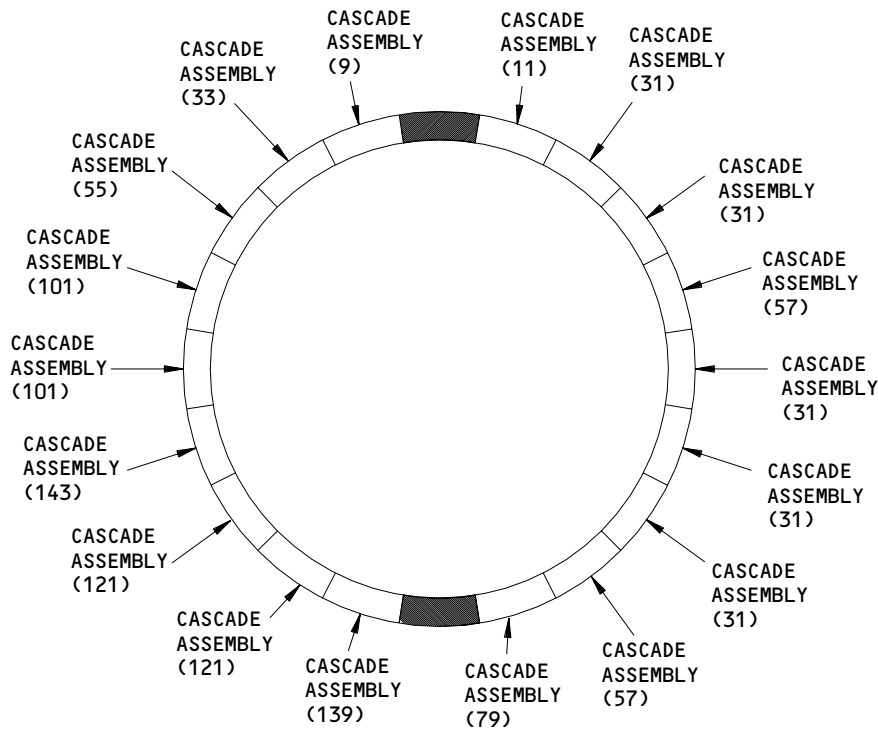
Cascade Arrangement
Figure 707 (Sheet 2)

ITEM NUMBERS REFER TO IPL FIG. 1

71-11-33

ASSEMBLY
Page 727
Mar 01/95

01.1

**COMPONENT
MAINTENANCE MANUAL**

**LEFT SIDE FAN DUCT COWL
(REAR VIEW)**

**RIGHT SIDE FAN DUCT COWL
(REAR VIEW)**

ITEM NUMBERS REFER TO IPL FIG. 12

**Cascade Arrangement
Figure 707 (Sheet 3)**
71-11-33

 ASSEMBLY
Page 728
Mar 01/95

01.1


BOEING
 COMPONENT
 MAINTENANCE MANUAL

REF IPL		NAME	TORQUE*	
FIG. NO.	ITEM NO.		POUND-INCHES	POUND-FEET
1	380,382	BOLT	72-88	
1	384,386	BOLT	72-88	
12	279	BOLT	72-88	
12	283	BOLT	72-88	

* REFER TO SOPM 20-50-01 FOR TORQUE VALUES OF STANDARD FASTENERS.

Torque Table
 Figure 801

71-11-33

FITS AND CLEARANCES
 01.1 Page 801
 Mar 01/95

ILLUSTRATED PARTS LIST

1. This section lists and illustrates replaceable or repairable component parts. The Illustrated Parts Catalog contains a complete explanation of the Boeing part numbering system.

2. Indentures show parts relationships as follows:

Assembly

Detail Parts for Assembly

Subassembly

Attaching Parts for Subassembly

Detail Parts for Subassembly

Detail Installation Parts (Included only if installation parts may be returned to shop as part of assembly)

3. One use code letter (A, B, C, etc.) is assigned in the EFF CODE column for each variation of top assembly. All listed parts are used on all top assemblies except when limitations are shown by use code letter opposite individual part entries.

4. Letter suffixes (alpha-variants) are added to item numbers for optional parts, Service Bulletin modification parts, configuration differences (Except left- and right-hand parts), product improvement parts, and parts added between two sequential item numbers. The alpha-variant is not shown on illustrations when appearance and location of all variants of the part is the same.

5. Service Bulletin modifications are shown by the notations PRE SB XXXX and POST SB XXXX.

A. When a new top assembly part number is assigned by Service Bulletin, the notations appear at the top assembly level only. The configuration differences at detail part level are then shown by use code letter.

B. When the top assembly part number is not changed by the Service Bulletin, the notations appear at the detail part level.

6. Parts Interchangeability

Optional
(OPT)

The parts are optional to and interchangeable with other parts having the same item number.

Supersedes, Superseded By
(SUPSDS, SUPSD BY)

The part supersedes and is not interchangeable with the original part.

Replaces, Replaced By
(REPLS, REPLD BY)

The part replaces and is interchangeable with, or is an alternate to, the original part.

71-11-33

ILLUSTRATED PARTS LIST

01 Page 1001

Jul 10/86

VENDORS

OPTK6 SPS TECHNOLOGIES INC AEROSPACE PRODUCTS DIV
5195 W 4700 SPO BOX 18459
KEARNS, UTAH 84118

00624 EATON AEROQUIP INC ENGINEERED SYSTEMS DIV
300 S EAST AVE
JACKSON, MICHIGAN 49203-1972
FORMERLY AEROQUIP ELBEE PLANT V99879 OR WESTERN PLANT
V70128; FORMERLY AEROQUIP AEROSP DIV JACKSON PLANT;
FORMERLY V11328 AEROQUIP LINAIR DIV

01673 AIRDROME PRECISION COMPONENTS
3251 E AIRPORT WAY
LONG BEACH, CALIFORNIA 90806-2407
FORMERLY AIRDROME PARTS CO

03925 PARKER-HANNIFIN CORP STRATOFLEX AEROSPACE/MILITARY CONN DIV
17671 ARMSTRONG AVENUE PO BOX 16819
IRVINE, CALIFORNIA 92713-6819
FORMERLY IN HAWTHORNE AND SANTA ANA, CALIFORNIA
FORMERLY STRATOFLEX INCORPORATED

04827 CHASE-WALTON ELASTOMERICS
29 APSEY STREET PO BOX A
HUDSON, MASSACHUSETTS 01749-1543

05693 CHERRY/TEXTRON INC CHERRY COMMERCIAL FASTENERS PROD DIV
1224 EAST WARNER STREET PO BOX 2157
SANTA ANA, CALIFORNIA 92707-3149
FORMERLY TOWNSEND CO CHERRY RIVET DIV AND TEXTRON INC
CHERRY FASTENERS UNIT

06710 LAMSON AND SESSIONS CO THE VALLEY-TODECO
12975 BRADLEY AVENUE
SYLMAR, CALIFORNIA 91342-3830
FORMERLY VALLEY BOLT CORP VB0097 IN NORTH HOLLYWOOD, CA

06725 AIR INDUSTRIES CORPORATION
12570 KNOTT STREET
GARDEN GROVE, CALIFORNIA 92641-3932
FORMERLY AIR INDUSTRIES OF CALIF IN GARDENA, CALIF.

06851 RESISTOFLEX CORP WESTERN DIV SEE RESISTOFLEX DIV OF
UNIDYNAMICS CORP V50599

71-11-33

ILLUSTRATED PARTS LIST
01.1 Page 1002
Jul 01/04


BOEING
 COMPONENT
 MAINTENANCE MANUAL
VENDORS

06950 SCREWCORP VSI AEROSPACE PRODUCTS DIV FAIRCHILD IND DIV
 13001 EAST TEMPLE AVENUE PO BOX 730
 CITY OF INDUSTRY, CALIFORNIA 91746-1417
 FORMERLY VB0096 AND VSI CORP SCREWCORP DIV
 FORMERLY IN CULVER CITY, CALIFORNIA

07073 BEST DEVICES CO INC
 10921 BRIGGS ROAD
 CLEVELAND, OHIO 44111-5333

07096 BURKE RUBBER CO PUROSIL DIV
 1810 SOUTH SHAMROCK AVENUE PO BOX 5023
 MONROVIA, CALIFORNIA 91016-4251
 FORMERLY HADBAR DIV OF PUROSIL INC

08199 SIERRACIN CORPORATION DBA HARRISON
 3020 EMPIRE AVENUE
 BURBANK, CALIFORNIA 91504-3109
 FORMERLY TECHNICAL IND INC OR HARRISON MFG CO DIV AXIAL CORP

08524 DEUTSCH FASTENER CORP SEE CODE V97928

11328 AEROQUIP SEE EATON AEROQUIP V00624

11815 CHERRY AEROSPACE FASTENERS DIV OF TEXTRON
 1224 EAST WARNER AVENUE PO BOX 2157
 SANTA ANA, CALIFORNIA 92707-0157
 FORMERLY IN LOS ANGELES, CALIF, FORMERLY CHERRY FASTENERS
 TOWNSEND DIV OF TEXTRON INC V71087

11960 BURKE IND HASKON DIV
 336 WEIR ST PO BOX 1091
 TAUNTON, MASSACHUSETTS 02780
 FORMERLY HERCULES INC AND HAVEG IND; FORMERLY HASKON CORP

12157 RESISTOFLEX CORP SOUTHWESTERN DIV
 DALLAS, TEXAS 75207
 BUSINESS DISCONTINUED

14242 VOSS INDUSTRIES INC
 2168 WEST 25TH STREET
 CLEVELAND, OHIO 44113-4115

14397 FABER ENTERPRISES, INCORPORATED
 6606 VARIEL AVE
 CANOGA PARK, CALIFORNIA 91303-2808

71-11-33

 ILLUSTRATED PARTS LIST
 01.1 Page 1003
 Jul 01/04

VENDORS

14798 DEUTSCH CO METAL COMPONENTS DIV
14800 SOUTH FIGUEROA STREET
GARDENA, CALIFORNIA 90248-1719
FORMERLY WEATHERHEAD V79470 FOR AEROSPACE PRODUCTS

15653 ALOCA GLOBAL FASTEMERS INC DIV KAYNARE PRODUCTS
800 S STATE COLLEGE BLVD
FULLERTON, CALIFORNIA 92831-3001
FORMERLY VK6405 MICRODOT AEROSP LTD; FORMERLY KAYNAR TECH
FORMERLY FAIRCHILD FASTENERS KAYNAR DIV

15805 FURON A E C
3711 SOUTH HUDSON STREET
SEATTLE, WASHINGTON 98118-1919
FORMERLY ASSOC IND V29762, FABRICATORS INC DIV OF
FLUOROCARBON CO AND FLUOROCARBON CO SEATTLE DIV

16632 FLEXFAB HORIZONS INTERNATIONAL INC DBA FLEXFLAB LLC
1699 W. M-43 HWY
HASTINGS, MIGHIGAN 49058-8377

17446 HUCK INTL INC AEROSPACE FASTENER DIV
900 WATSON CENTER ROAD
CARSON, CALIFORNIA 90745-4201
FORMERLY V32134 REXNORD INC; FORMERLY V97928 HUCK INTL

18076 UMPCO, INCORPORATED
7100 LAMPSON AVENUE
GARDEN GROVE, CALIFORNIA 92841-3914
FORMERLY IN CITY OF INDUSTRY, CALIFORNIA

22175 J & M PRODUCTS INC.
1647 TRUMAN STREET
SAN FERNANDO, CALIFORNIA 91340
FORMERLY IN ANAHUM CALIFORNIA AND BURBANK

27238 BRISTOL INDUSTRIES
630 EAST LAMBERT ROAD PO BOX 630
BREA, CALIFORNIA 92621-4119

29666 HUCK MANUFACTURING CO SUB OF FEDERAL-MOGUL CORP
6 THOMAS
IRVINE, CALIFORNIA 92714
FORMERLY HUCK MFG CO VB0016 IN DETROIT, MICHIGAN

30974 AEROFIT PRODUCTS INC
6460 DALE STREET
BUENA PARK, CALIFORNIA 90621-3115

71-11-33

ILLUSTRATED PARTS LIST
01.1 Page 1004
Jul 01/04

**BOEING**
COMPONENT
MAINTENANCE MANUALVENDORS

5M902 FAIRCHILD IND INC FAIRCHILD AEROSPACE FASTENER DIV
3016 W LOMITA BLVD
TORRANCE, CALIFORNIA 90505-5103
FMLY IN REDONDO BEACH, CALIF

5T400 GRIMES AEROSPACE CO
550 STATE ROUTE 55
URBANA, OHIO 43078-9482

50599 CRANE RESISTOFLEX COMPANY
2575 WEST 5TH STREET
JACKSONVILLE, FLORIDA 22205
FORMERLY RESISTOFLEX DIV OF UNIDYNAMICS

50808 UNITED SUPPLY CO INC
3676 S BROADWAY PLACE
LOS ANGELES, CALIFORNIA 90007-4432

50948 PARKER-HANNIFIN CORP HUNTSVILLE AIRCRAFT FACILITY
9400 SOUTH MEMORIAL PARKWAY
HUNTSVILLE, ALABAMA 35802
FORMERLY PARKER-HANNIFIN CORP TUBE FITTINGS DIV

52825 HOFFMAN CAMERA CORP
19 GRAND AVENUE
FARMINGTON, NEW YORK 11735-6315

52828 REPUBLIC FASTENER MFG CORP
1300 RANCHO CONEJO BLVD
NEWBURY PARK, CALIFORNIA 91320-1405
FORMERLY IN SYLMAR, CALIFORNIA

53551 ALLFAST FASTENING SYSTEMS INC
15200 EAST DON JULIAN ROAD PO BOX 3166
CITY OF INDUSTRY, CALIFORNIA 91745-1001
FORMERLY V0736B
FORMERLY ALLFAST INC V5K545

56878 SPS TECHNOLOGIES INC AEROSPACE AND INDUSTRIAL PRODUCTS DIV
301 HIGHLAND AVE
JENKINTOWN, PENNSYLVANIA 19046
FORMERLY STANDARD PRESSED STEEL

57268 RAINER RUBBER CO
15660 NELSON PL SO
SEATTLE, WASHINGTON 98188

71-11-33ILLUSTRATED PARTS LIST
01.1 Page 1005
Jul 01/04

VENDORS

60516 WEST COAST AEROSPACE INC
812 MIRAFLORES STREET
SAN PEDRO, CALIFORNIA 90731-1439

60980 MEGGITT-OREGON INC DBA MEGGITT SILICONE PROD DIV MSP
2010 LAFAYETTE AVE P.O. BOX 887
MCMINNVILLE, OREGON 97128
FORMERLY ELASTOMERIC SILICON PRODUCTS

61498 SEE CODE V14798

62554 SIMMONDS MECAERO FASTENERS INC
1734 SEQUOIA AVENUE
ORANGE, CALIFORNIA 92668

71087 BOOTS ACFT NUT DIV TOWNSEND CO SEE TEXTRON INC CHERRY
FASTENER TOWNSEND DIV V11815

72285 EXACTO IND INC SEE V83930

72962 HARVARD INDUSTRIES INC
3 WERNER WAY SUITE 210
LEBANON, NEW JERSEY 08833
FORMERLY AMERACE CORP ESNA DIV
FORMERLY ELASTIC STOP NUT IN UNION, NJ

73197 HI-SHEAR TECHNOLOGY CORP
2600 SKYPARK DRIVE
TORRANCE, CALIFORNIA 90509

74687 HUNTINGTON RUBBER CO DIV NEW IDRIA
SEE ELASTOMERIC SILICONE V0829B

75345 KIRKHILL RUBBER CO
300 EAST CYPRESS STREET
BREA, CALIFORNIA 92821-4097
FORMERLY L.A. STANDARD RUBBER CO V84914

78570 TITFLEX CORP SUB OF BUNDY CORP
603 HENDEE STREET PO BOX 90054
SPRINGFIELD, MASSACHUSETTS 01139

8W928 AEROQUIP CORP AEROSPACE DIV TOCCOA PLANT
MEADOWBROOK INDUSTRIAL PK PO BOX 819
TOCCOA, GEORGIA 30577-0819

71-11-33

ILLUSTRATED PARTS LIST
01.1 Page 1006
Jul 01/04


BOEING
 COMPONENT
 MAINTENANCE MANUAL
VENDORS

80539 SPS TECHNOLOGIES INC DIV AERPSOACE - SANTA ANA
 2701 SOUTH HARBOR BOULEVARD
 SANTA ANA, CALIFORNIA 92704-5803
 FORMERLY NUTT-SHEL DIV OF SPC WESTERN CO V80539
 AND STANDARD PRESSED STEEL WESTERN DIV V17279

83014 HARTWELL CORPORATION
 900 SOUTH RICHFIELD ROAD
 PLACENTIA, CALIFORNIA 92670-6732
 FORMERLY V0532B IN LOS ANGELES, CALIFORNIA

83930 ADEL WIGGINS GROUP
 5000 TRIGGS STREET
 LOS ANGELES, CALIFORNIA 90022-4833
 FORMERLY ADEL PROD DIV OF DELAVAL TURBINE CALIF INC;
 FORMERLY EXACTO IND V72285; FORMERLY DELAVAL ADEL FSTN DIV
 FORMERLY TRANSAMERICA DELAVAL ADEL FTNRS DIV; FORMERLY IMO
 DELAVAL IN HUNTINGTON, WV

84256 AVIBANK MANUFACTURING COMPANY
 210 SOUTH VICTORY BLVD PO BOX 391
 BURBANK, CALIFORNIA 91503
 FORMERLY AVDEL INC AND ROWE SALES CO VB0001
 FORMERLY PRICE, D.W. CORP LOS ANGELES, CALIFORNIA V97978

84971 TA MFG CO TA DIV
 28065 W FRANKLIN PKY PO BOX 931
 VALENCIA, CALIFORNIA 91380-9031
 FORMERLY IN LA, CALIF; SUB OF CRITON CORP, GLENDALE, CALIF

92003 PARKER-HANNIFIN CORPORATION
 14300 ALTON PKWY
 IRVINE, CALIFORNIA 92618
 FORMERLY PARKER AIRCRAFT V02689; FORMERLY SCHULZ TOOL & MFG
 V82267; FORMERLY PARKER-BERTEA AEROSPACE GROUP

92215 FAIRCHILD IND INC FAIRCHILD AEROSPACE FASTENER DIV
 3010 W LOMITA BLVD
 TORRANCE, CALIFORNIA 90505-5102
 FORMERLY VOI-SHAN IN CULVER CITY, CALIF

94581 NATIONAL UTILITIES CORP/NUCO
 1700 HICKORY DRIVE PO BOX 14639
 FORT WORTH, TEXAS 76117-6020
 FORMERLY IN MONROVIA, CALIFORNIA; FORMERLY V2D588

71-11-33

 ILLUSTRATED PARTS LIST
 01.1 Page 1007
 Jul 01/04

VENDORS

95272 STILLMAN SEL CORP
6020 AVENIDA ENCINAS
CARLSBAD, CALIFORNIA 92009-1001
FORMERLY SARGENT IND

97928 HUCK INTL SEE V17446 HUCK INTL
SEE V17446 HUCK INTL
SEE V17446 HUCK INTL

98524 MONOGRAM AEROSPACE FASTENERS
3423 SOUTH GARFIELD AVENUE
LOS ANGELES, CALIFORNIA 90040-3103
FORMERLY NATIONAL SCREW & MFG CO V76689; ADJUSTABLE BUSHING
CORP, HOLLYWOOD, CA V15291; MONOGRAM/GVI IND INC, SUN
VALLEY, CA V29464

98996 OLYMPIA FASTENING INV SEE V53551

99648 SEE V30485

71-11-33

ILLUSTRATED PARTS LIST
01.1 Page 1008
Jul 01/04


BOEING
 COMPONENT
 MAINTENANCE MANUAL

PART NUMBER	AIRLINE PART NO.	FIG.	ITEM	TTL REQ
AFP175V06		2	110	1
		2	130	2
AFP238-0604J		2	150	1
AFP241-06JL		1	682	1
		12	567	1
AFP941H6		2	120	1
AF5141-3C		7	300A	1
AN924-6J		2	140	1
AN960-10		1	770	1
		7	666	6
		12	655	1
AN960-416L		7	264	1
AN960-516		7	258	1
		7	384	3
AN960-516L		7	252	1
		7	261	1
		7	378	3
		7	387	3
AN960C10L		1	670	3
		2	35	4
		4	78	4
		12	555	3
AN960C416L		7	741	1
AN960C6		6	70	2
		6	100A	2
AN960C916		2	145	1
AN960D10L		3	618	12
		5	468A	2
AN960KD10L		5	468	2
AN960KD416		1	388	72
		1	390A	50
		1	392	34
		1	397	2
		1	400	54
		12	281	54
		12	287	2

71-11-33

 ILLUSTRATED PARTS LIST
 01.1 Page 1009
 Jul 01/04

PART NUMBER	AIRLINE PART NO.	FIG.	ITEM	TTL REQ
AN960KD416L		1	389	42
		1	390	50
		1	396	70
		12	285	70
AN960KD8		7	150	1
		14	60	1
AN960PD10		1	546	2
		2	83	3
AN960PD10		3	20	2
		11	15	2
		12	439	2
AN960PD10L		1	928	5
		3	530	2
		5	195	1
		5	520	3
		7	129	2
		7	132	1
		7	438	1
		9	110	12
		12	811	5
		14	15	2
AN960PD416L		14	40	1
		3	455	1
		11	100	1
AN960PD516L		7	255	1
		7	381	3
AN960XC10		1	320	16
		1	968	8
		12	223	16
		12	851	8
APX832-0604J		2	150	1
AP1004H06		2	120	1
AP1008-06JL		1	682	1
		12	567	1
AP2097-06H		2	110	1
		2	130	2

71-11-33

 ILLUSTRATED PARTS LIST
 01.1 Page 1010
 Jul 01/04


BOEING
 COMPONENT
 MAINTENANCE MANUAL

PART NUMBER	AIRLINE PART NO.	FIG.	ITEM	TTL REQ
AP2097-06HP		2	130A	2
ASPF PDT6-18		1	754	2
		12	641	2
ASPF PDT8-20		5	290	1
ASPF SDT6		1	714	6
		12	601	6
ASPF SDT8		5	295	1
ASPLC2AC6		1	716	6
		1	758	2
		12	603	6
		12	645	2
ASPLC2AC8		5	300	1
ASPP SDT6		1	756	2
		12	643	2
AS118E0150AAN		2	155	1
BACB28AM04B034A		7	336	1
BACB28AM06B021A		7	627B	3
BACB28AM09B021A		5	365	1
BACB28AP04P022		3	165	1
		11	155	1
BACB28AP06P021		5	370	1
BACB28AP06P022		3	170	1
		11	160	1
BACB28AP07P038		3	95	6
		4	215	6
BACB28AW05A037C		7	342A	2
BACB28U12B042		5	52	1
BACB28W12B042		5	50	2
		5	51	1
BACB28W12B076		5	55	2
BACB28W3B037		7	339	1

71-11-33

 ILLUSTRATED PARTS LIST
 01.1 Page 1011
 Jul 01/04

PART NUMBER	AIRLINE PART NO.	FIG.	ITEM	TTL REQ
BACB28X6C015		7	627A	3
BACB28X6C020		7	345	1
BACB28Y5C037		7	342	2
BACB30CC5-2		5	530	3
BACB30FM5A		9	205A	8
		13	205	8
BACB30FM5A4		3	157	2
		11	145	2
BACB30FN5-5		7	147	1
		14	55	1
BACB30FN6A19K		2	180	7
BACB30HA6R17		1	934	12
		12	817	12
BACB30JC5A		1	944	2
		12	827	2
BACB30LE4-11		7	231	4
BACB30LE4-7		7	645	4
BACB30LH2-2		1	510A	10
		12	409A	10
BACB30LH2-3		7	570	1
BACB30LH2-4		7	573	1
BACB30LH3-20		1	768	1
		12	653	1
BACB30LH3-5		3	540A	1
		4	68A	1
BACB30LH3U3		9	125	14
		13	130	14
BACB30LJ3-4		9	105	12
BACB30LJ3K5		3	15	2
BACB30LJ3K5		11	10	2
BACB30LJ4-18		1	774	2
		12	659	2
BACB30LJ4-3		3	605	6
		11	460	6
BACB30LK3-2		3	525	2
BACB30LL3-3		5	205	1
		7	117	1
		7	144	1
		7	519	2
BACB30LL3-5		7	111	3
		7	114	1
BACB30LL3-7		7	105	1
		7	108	2
BACB30LL3-9		7	120	1

71-11-33

 ILLUSTRATED PARTS LIST
 01.1 Page 1012
 Jul 01/04


BOEING
 COMPONENT
 MAINTENANCE MANUAL

PART NUMBER	AIRLINE PART NO.	FIG.	ITEM	TTL REQ
BACB30LM3H15		7	126	1
		14	35	1
BACB30LR2-2		1	510	10
		12	409	10
BACB30LR2-3		1	508	1
		12	407	1
BACB30LR3-5		3	540	1
BACB30LR3-6		3	520	4
		3	575	28
		4	40Q	28
		4	88	4
BACB30MB5		1	942	2
		12	825	2
BACB30MY5K		1	415L	2
		12	305	2
		13	160	16
		1	606	1
BACB30MY5K10		12	499	1
BACB30MY5K11		1	604	2
		12	497	2
BACB30MY5K12		1	602	2
		12	495	2
BACB30MY5K13		1	600	2
		12	493	2
BACB30MY5K14		1	598	2
		12	491	2
BACB30MY5K15		1	596	2
		12	489	2
BACB30MY5K16		1	594	1
		12	487	1
BACB30MY5K17		1	592	17
		1	700	26
		12	485	17
		12	585	26
BACB30MY5K18		1	590	21
		12	483	21
BACB30MY5K2		1	612	4
		9	160	16
		12	505	4

71-11-33

 ILLUSTRATED PARTS LIST
 01.1 Page 1013
 Jul 01/04

PART NUMBER	AIRLINE PART NO.	FIG.	ITEM	TTL REQ
BACB30MY5K21		1	588	1
		12	481	1
BACB30MY5K22		1	586	2
		12	479	2
BACB30MY5K3		1	610	5
		1	704	3
		3	506	175
		3	507	5
		9	165	2
		11	345	175
BACB30MY5K4		11	350	5
		12	503	5
		12	589	3
		1	702	3
		3	507A	5
		7	639	4
		11	355	5
		12	587	3
		13	165	4
		1	608	1
BACB30MY5K5		7	711	4
		12	501	1
		1	760	3
BACB30MY6F18		12	647	3
		1	431L	10
BACB30MY6K		12	327	10
		15	45	1
BACB30MY6K10		3	215	2
BACB30MY6K12		11	205	2
BACB30MY6K14		1	566	2
		12	459	2
BACB30MY6K15		1	564	4
		5	475	1
		12	457	4
BACB30MY6K16		1	562	5
		5	470	1
BACB30MY6K16		12	455	5
BACB30MY6K17		1	560	6
BACB30MY6K18		12	453	6
		1	558	9
		1	732	20
		12	451	9
		12	619	20
BACB30MY6K19		1	556	14
		12	449	14

71-11-33

 ILLUSTRATED PARTS LIST
 01.1 Page 1014
 Jul 01/04


BOEING
 COMPONENT
 MAINTENANCE MANUAL

PART NUMBER	AIRLINE PART NO.	FIG.	ITEM	TTL REQ
BACB30MY6K2		7	450	6
BACB30MY6K20		1	708	2
		1	730	9
		5	410	4
		12	595	2
		12	617	9
BACB30MY6K21		1	728	1
		5	415	4
		12	615	1
BACB30MY6K22		5	335	2
BACB30MY6K23		5	330	2
BACB30MY6K24		1	644	1
		12	529	1
BACB30MY6K4		1	834	5
		1	896	5
		3	415	7
		4	35L	3
		4	38M	5
		4	38Q	1
		11	50	7
		12	717	5
		12	779	5
		15	40	4
BACB30MY6K5		1	780	4
		3	295	4
		3	420	9
		4	38S	1
		7	96	14
		7	582	1
		11	25	4
		11	55	9
		12	665	4

71-11-33

ILLUSTRATED PARTS LIST

01.1

Page 1015

Jul 01/04

PART NUMBER	AIRLINE PART NO.	FIG.	ITEM	TTL REQ
BACB30MY6K6		3	425	1
		11	65	1
BACB30MY6K7		7	201	2
		7	453	3
BACB30MY6K8		3	80	8
		4	200	8
		7	456	1
BACB30MY6K9		3	75	4
		4	195	4
BACB30MY8K10		3	55	8
		4	175	8
		7	426	1
BACB30MY8K11		3	50	4
		4	170	4
BACB30MY8K2		7	435	7
BACB30MY8K4		7	429	5
BACB30MY8K5		7	87	6
BACB30MY8K6		3	435	1
		11	80	1
BACB30MY8K7		3	440	1
		7	90	5
		11	85	1
BACB30NM3K3		5	515	3
BACB30NM4K12		7	483	8
		7	485	4
		7	239	2
BACB30NM4K13		7	240	4
		7	484	4
		7	241	2
BACB30NM4K14		7	241	2
BACB30NM4K6		1	380A	42
		1	382A	50
BACB30NM4K8		1	384A	30
		1	386A	34
		1	398	54
		12	279	54

71-11-33

 ILLUSTRATED PARTS LIST
 01.1 Page 1016
 Jul 01/04


BOEING
 COMPONENT
 MAINTENANCE MANUAL

PART NUMBER	AIRLINE PART NO.	FIG.	ITEM	TTL REQ
BACB30NM4K9		1	394	36
		12	283	36
BACB30NN3K5		4	68	1
BACB30NR4K10		5	75	5
BACB30NR4K6		1	380	42
		1	382	50
BACB30NR4K7		3	450	1
		11	95	1
BACB30NR4K8		1	384	30
		1	386	34
BACB30NU3K6		7	471	3
BACB30NU3K8		5	70	16
BACB30NU4K10		5	80	3
BACB30NU4K11		5	85	1
BACB30NU4K12		5	90	1
BACB30NU4K14		5	95	1
BACB30NW5K		7	348	2
BACB30NW5K19		5	260	6
BACB30NW5K3		7	477	9
BACB30NW5K7		7	504	12
BACB30NW6K		1	363	6
		2	15A	1
BACB30NW6K12		12	249L	6
		1	570	2
BACB30NW6K13		12	463	2
		1	568	2
BACB30NW6K19		12	461	2
		1	298	32
BACB30NW6K19		1	954	16
		2	195	3
		12	207	32
		12	837	16

71-11-33

 ILLUSTRATED PARTS LIST
 01.1 Page 1017
 Jul 01/04

PART NUMBER	AIRLINE PART NO.	FIG.	ITEM	TTL REQ
BACB30NW6K2		7	459	1
BACB30NW6K3		1	338	24
		1	818	66
		1	880	66
		1	980	12
		7	99	12
		7	462	2
		12	233	24
		12	701	66
		12	763	66
		12	861	12
		15	140	66
BACB30NW6K4		1	335	10
		1	978	5
		12	231	10
		12	859	5
BACB30NW6K5		1	832	4
		1	894	4
		7	579	1
		7	618	3
		12	715	4
		12	777	4
		15	35	4
		15	135	100
BACB30NW6K9		7	432	1
BACB30NW8K12		1	528	6
		12	427	6
BACB30NX5K		13	170	7
BACB30NX5K3		7	699	4
		9	175	6
BACB30NX6K10		1	742	2
		12	629	2
BACB30NX6K12		3	225	2
		11	215	2
BACB30NX6K13		1	578	2
		1	630	2
		12	471	2
		12	523	2
BACB30NX6K14		1	628	1
		12	521	1
BACB30NX6K19		1	576	7
		12	469	7
BACB30NX6K3		2	175	3

71-11-33

 ILLUSTRATED PARTS LIST
 01.1 Page 1018
 Jul 01/04


BOEING
 COMPONENT
 MAINTENANCE MANUAL

PART NUMBER	AIRLINE PART NO.	FIG.	ITEM	TTL REQ
BACB30NX6K5		7	402	3
BACB30NX6K6		3	135	4
		3	175	2
		7	411	3
		11	120	4
		11	165	2
BACB30NX6K7		7	405	2
BACB30NX6K8		3	140	12
		7	408	4
		11	125	12
BACB30NX8K10		1	738	4
		12	625	4
BACB30NX8K19		1	582	4
		12	475	4
BACB30NX8K23		5	320	2
BACB30NX8K25		5	322	1
BACB30NY5K4		7	687	8
BACB30NY6K10		1	746	1
		12	633	1
BACB30NY6K14		5	460A	1
BACB30NY6K15		5	455A	1
BACB30NY6K18		1	550	1
		1	552	2
		12	445	1
		12	447	2
BACB30NY6K19		1	548	1
		12	443	1
BACB30NY6K20		1	778	2
		12	663	2
BACB30NY6K21		1	734	1
		5	460	1
		12	621	1

71-11-33

ILLUSTRATED PARTS LIST

01.1

Page 1019

Jul 01/04

PART NUMBER	AIRLINE PART NO.	FIG.	ITEM	TTL REQ
BACB30NY6K22		5	455	1
BACB30NY6K4		1	816	72
		1	878	72
		12	699	72
		12	761	72
		15	20	72
BACB30NY6K5		1	750	2
		7	399	1
		12	637	2
BACB30NY6K7		7	663	6
BACB30NY6K9		1	748	1
		12	635	1
BACB30NY8K20		1	784	2
		5	305	2
		12	669	2
BACB30NY8K21		5	310	2
BACB30NZ5K18		8	130	1
BACB30VF3K14		5	467A	1
BACB30VF3K15		5	466A	1
BACB30VF3K21		5	467	1
BACB30VF3K22		5	466	1
BACB30VF3K5		1	414	25
		12	301	25
BACB30VF4K4		1	359A	2
		12	245	2
BACB30VT6K		9	5A	36
		13	5	36
BACC10DW16S		1	654	1
		12	539	1
BACC10EP38		2	70	1
BACC10GE6		1	650	1
		12	537	1
BACC10GF16H		1	664	1
		12	549	1

71-11-33

 ILLUSTRATED PARTS LIST
 01.1 Page 1020
 Jul 01/04


BOEING
 COMPONENT
 MAINTENANCE MANUAL

PART NUMBER	AIRLINE PART NO.	FIG.	ITEM	TTL REQ
BACC10GT2-06		2	100	20
BACC10GY300		2	30	2
BACC10HS06		2	90B	10
BACC14AD06JL		1	682	1
		12	567	1
BACC30AB5S		9	210A	8
BACC30AB5S		13	210	8
BACC30AB6S		1	305A	32
		1	341A	34
		1	958A	16
		1	982A	17
		2	185	7
		12	211	32
		12	235	34
		12	841	16
		12	863	17
BACC30AG5		1	616	14
		12	509	14
BACC30AG6		1	574	28
		1	632	3
		5	480	2
		12	467	28
		12	525	3
BACC30BL6		9	10A	36
		13	10	36
BACC30M5		1	614	49
		1	706	30
		3	508	180
		5	265	6
		7	351	2
		7	480	9
		7	507	12
		7	642	4
		7	714	4
		8	135	1
		9	170	18
		11	360	180
		12	507	49
		12	591	30
		13	175	20

71-11-33

 ILLUSTRATED PARTS LIST
 01.1 Page 1020A
 Jul 01/04

PART NUMBER	AIRLINE PART NO.	FIG.	ITEM	TTL REQ	
BACC30M6		1	363L	6	
		1	554	3	
		1	572	16	
		1	710	2	
		1	736	31	
		1	782	6	
		1	820	138	
		1	836	9	
		1	882	138	
		1	898	9	
	BACC30M6		2	20	1
			2	205	3
			3	85A	12
			3	220	2
			3	300	4
		3	430	17	
		4	35P	3	
		4	38V	6	
		4	205	12	
		5	340	4	
		5	420	8	
		7	102	26	
		7	204	2	
		7	465	11	
		7	585	2	
		7	621	3	
		11	30	4	
		11	75	17	
		11	210	2	
		12	250	6	
	12	465	19		
	12	597	2		
	12	623	31		
	12	667	6		
	12	703	138		
	12	719	9		
	12	765	138		
	12	781	9		
	15	25	72		
	15	55	5		
	15	145	166		

71-11-33

 ILLUSTRATED PARTS LIST
 01.1 Page 1020B
 Jul 01/04


BOEING
 COMPONENT
 MAINTENANCE MANUAL

PART NUMBER	AIRLINE PART NO.	FIG.	ITEM	TTL REQ
BACC30M8		1	530	6
		1	786	2
		3	60	12
		3	445	2
		4	180	12
		5	315	4
		7	93	11
		7	441	12
		11	90	2
		12	429	6
		12	671	2
	BACC30P6		1	938
		12	821	12
BACC30X5		1	946	4
		9	180	6
BACC30X5		12	829	4
		13	180	7
BACC30X5S		7	690	8
		7	702	4
BACC30X6		3	145A	16
		3	230A	2
		7	414	13
		11	130A	16
		11	220A	2
BACC30X6S		1	752	4
		3	145	16
		3	230B	2
		7	669	6
		11	130	16
		11	220	2
		12	639	4
BACC30X6SW		1	580	9
		1	744	2
		3	190	2
		5	465	2
		11	180	2
		12	473	9
		12	631	2
BACC30X8SW		1	584	4
		1	740	4
		5	325	3
		12	477	4
		12	627	4

71-11-33

 ILLUSTRATED PARTS LIST
 01.1 Page 1020C
 Jul 01/04

PART NUMBER	AIRLINE PART NO.	FIG.	ITEM	TTL REQ
BACF3F006J008NN		7	168	1
BACF3F007G063NN		5	115	1
BACF3F008G062NN		5	125	1
BACF3F009D009NN		3	320	2
		11	40	2
BACF3F009J010NN		7	219	1
BACF3F009L046NN		3	325	2
		11	45	2
BACF3F009P020BN		7	222	1
BACF3F009W021NN		7	216	1
BACF3F011J011NN		7	309	1
		7	369	1
BACF3T03L9-10		7	363	1
BACF3T04M12-20		7	366	1
BACG20AF4B6		3	10	2
BACG20AF4B6A		3	10A	2
BACH5M0150AAN		2	155	1
BACJ40A21-8		2	25	1
BACL10E115-250		7	696	1
BACL10E125-330		7	693	1
BACN10GW3		7	444	1
BACN10HR3CS		1	678	5
		12	563	5
BACN10HR4		7	234	4
		7	648	4
BACN10JA3CM		7	528	3
		7	564	1
BACN10JA4CM		7	492	6
		7	513	3
BACN10JC06C		6	105	2

71-11-33

 ILLUSTRATED PARTS LIST
 01.1 Page 1020D
 Jul 01/04


BOEING
 COMPONENT
 MAINTENANCE MANUAL

PART NUMBER	AIRLINE PART NO.	FIG.	ITEM	TTL REQ
BACN10JC08		7	156	1
		14	65	1
BACN10JC08CM		1	707	2
		12	593	2
BACN10JC3		1	762	3
		1	930	5
		3	25	2
		3	535	2
		3	619	4
		4	83	4
		5	185	1
		5	210	1
		7	135	1
		7	153	1
		7	468	2
		11	20	2
		12	649	3
		12	813	5
14	20	1		
BACN10JC3C		1	323	16
		1	970	8
		9	135	14
		12	225	16
		12	853	8
		13	140	14
BACN10JC3CD		9	112	12
		13	115	12
BACN10JC3CM		1	542	1
		1	547	1
		1	648	1
		1	662	2
		1	672	4

71-11-33

 ILLUSTRATED PARTS LIST
 01.1 Page 1020E
 Jul 01/04

PART NUMBER	AIRLINE PART NO.	FIG.	ITEM	TTL REQ	
BACN10JC3CM		1	772	1	
		2	65	1	
		2	85	4	
		12	441	2	
		12	535	1	
		12	547	2	
		12	557	4	
		12	657	1	
	BACN10JC4		3	460	1
			7	447	1
		11	105	1	
BACN10JC4CM		2	10	1	
		7	270	1	
		7	393	3	
BACN10JN08CM		1	524	11	
		5	385	1	
		5	440	3	
		12	419	11	
BACN10JN3CM		5	150	14	
BACN10JN4CM		3	615	6	
		5	155	11	
		11	470	6	
BACN10JP06BCM		6	115	2	
BACN10JP08ACM		5	500	2	
		7	612	1	
		5	380	1	
BACN10JP08CCM		5	380	1	
BACN10JP3A		5	525	3	
BACN10JP3BCM		2	225	4	
		5	280	3	
		7	531	3	
BACN10JP3DCM		7	567	5	
BACN10JP4CCM		7	495	6	
BACN10JR3CFM		3	275	2	
		5	160	2	
		9	150	8	
		11	265	2	
		13	155	6	
BACN10JR3CM		1	520	1	
		12	415	1	
BACN10JR3F		3	600	32	
		4	53	32	
BACN10JR4CD		7	303	1	

71-11-33

 ILLUSTRATED PARTS LIST
 01.1 Page 1020F
 Jul 01/04



BOEING
COMPONENT
MAINTENANCE MANUAL

PART NUMBER	AIRLINE PART NO.	FIG.	ITEM	TTL REQ
BACN10JR4CFD		1	40	2
		1	79	10
BACN10JR4CFD		1	79A	2
		1	124	4
		1	124A	2
		1	160	2
		1	193	4
		1	226	4
		1	265	4
		7	303A	1
		12	19	4
		12	41	10
		12	41A	2
		12	65	4
		12	65A	2
		12	87	2
		12	109	4
		12	129	4
		12	153	4
BACN10KB08CFM		7	615	1
BACN10KB3		3	495	2
		11	320	2
BACN10KB3CFD		1	500	1
		1	526	1
		4	40A	4
		12	399	1
BACN10KB4CFD		12	423	1
		1	36	2
		1	73	10
		1	73A	2
		1	118	4
		1	118A	2
		1	154	2
		1	187	4
		1	220	4
		1	259	4
		12	15	4
		12	37	10
		12	37A	2
		12	61	4
		12	61A	2
		12	83	2
		12	105	4
12	125	4		
12	149	4		

71-11-33

ILLUSTRATED PARTS LIST
01.1 Page 1020G
Jul 01/04

PART NUMBER	AIRLINE PART NO.	FIG.	ITEM	TTL REQ
BACN10KB4CFM		3	315	2
		4	35	2
BACN10KE3B2CM		1	438	1
BACN10KE3B2CM		1	446	1
		1	456	1
		1	466	1
		1	476	1
		1	486	1
		3	390	12
		11	290	12
		12	337	1
		12	345	1
		12	355	1
		12	365	1
		12	375	1
		12	385	1
BACN10KE3B3CM		1	522	12
		12	417	12
BACN10KE3DCM		9	155	4
BACN10KE3E2CM		1	422	1
		1	430	1
		1	448	1
		1	458	1
		1	468	1
		1	478	1
		1	488	1
		12	315	1
		12	323	1
		12	347	1
		12	357	1
		12	367	1
		12	377	1
		12	387	1
BACN10KE4A		1	362	2
		12	249	2
BACN10KE4DCD		1	404	54
		12	291	54
BACN10KE4DCM		1	404A	54
		12	291A	54
BACN10KF3CM		7	534	1
BACN10KJ3		3	350	4
BACN10XJ5		1	415S	2
		12	307	2
BACN10XJ6		1	431S	10
		12	329	10

71-11-33

 ILLUSTRATED PARTS LIST
 01.1 Page 1020H
 Jul 01/04



BOEING
 COMPONENT
 MAINTENANCE MANUAL

PART NUMBER	AIRLINE PART NO.	FIG.	ITEM	TTL REQ
BACN10YT3CS		15	50	4
BACR15BA3AD		1	420	2
		1	428	2
BACR15BA3AD		1	436	2
		1	444	4
		1	454	4
		1	464	4
		1	474	4
		1	484	4
		1	498	2
		1	516	48
		1	518	2
		3	270	4
		4	39	8
		5	100	10
		5	145	54
		5	375	4
		5	435	6
		5	495	4
		7	525	14
		7	561	12
		7	609	4
		11	260	4
		12	289	108
		12	313	2
		12	321	2
		12	335	2
		12	343	4
		12	353	4
		12	363	4
		12	373	4
		12	383	4
		12	397	2
		12	413	48
		12	421	2
BACR15BA3AD2		3	490	4
		11	315	4
BACR15BA3B		1	402	108
BACR15BA5A		3	545	20
		3	545A	15
		4	93	15
BACR15BA5AD		3	360	4
		4	37	4
BACR15BA5D5		7	717	2
BACR15BA8KE19		1	830	5
		12	713	5

71-11-33

ILLUSTRATED PARTS LIST
 01.1 Page 1020I
 Jul 01/04

PART NUMBER	AIRLINE PART NO.	FIG.	ITEM	TTL REQ
BACR15BA8KE19C		15	75	5
BACR15BA8KE22		1	826	5
BACR15BA8KE22		12	709	5
BACR15BA8KE22C		15	70	5
BACR15BB3AD		3	310	4
		3	345	8
		3	595	64
		3	610	12
		4	30	4
		4	43	64
		5	245	13
BACR15BB3B		1	48	2
		1	88	10
		1	88A	2
		1	130	4
		1	130A	2
		1	166	2
		1	199	4
		1	232	4
		1	271	4
		12	27	4
		12	47	10
		12	47A	2
		12	73	4
		12	73A	2
		12	95	2
		12	117	4
		12	135	4
		12	165	4
BACR15BB5AD		3	150	6
		3	152	4
		3	255	1
		8	75	5
		11	135	6
		11	140	4
		11	245	1
BACR15BB5AD3		1	698	1
		1	724	1
		12	583	1
		12	611	1
BACR15BB6AD		3	260	1
		11	250	1
BACR15CE3AD		11	465A	12
BACR15CE3B		1	33	8
		1	70	40
		1	70A	8
		1	109	8

71-11-33

 ILLUSTRATED PARTS LIST
 01.1 Page 1020J
 Jul 01/04


BOEING
 COMPONENT
 MAINTENANCE MANUAL

PART NUMBER	AIRLINE PART NO.	FIG.	ITEM	TTL REQ	
BACR15CE3B		1	109A	4	
		1	115	16	
		1	115A	8	
		1	145	4	
		1	151	8	
		1	181	16	
		1	214	16	
		1	253	16	
		12	13	16	
		12	35	40	
		12	35A	8	
		12	59	16	
		12	59A	8	
		12	81	8	
		12	103	16	
		12	123	16	
		12	147	16	
	BACR15CE3D		3	385	24
			7	297	1
			7	300	1
		7	489	24	
		11	285	24	
		13	150	12	
		9	145	24	
BACR15CE3D3		9	145	24	
BACR15CE3KE		1	360	4	
		12	247	4	
BACR15CE3M		2	220	8	
		5	275	6	
		6	40	3	
		6	110	4	
		6	120	7	
		6	175	3	
		6	191	3	
		7	510	6	
	BACR15CE4B		1	354	34
			1	354L	3
		12	244	1	
BACR15CE5D		7	549	1	
BACR15CE5KE		1	512	7	
		1	624	1	
		1	696	1	
		3	250	1	
		7	546	2	
		11	240	1	
		12	411	7	

71-11-33

 ILLUSTRATED PARTS LIST
 01.1 Page 1020K
 Jul 01/04

PART NUMBER	AIRLINE PART NO.	FIG.	ITEM	TTL REQ
BACR15CE5KE		12	517	1
		12	581	1
BACR15CE5M		7	189	1
BACR15CE6KE		1	622	1
		1	694	1
		1	726	8
		3	70	12
		4	183	12
		12	515	1
		12	579	1
		12	613	8
BACR15CE6KE7		1	812	4
		1	864	4
		1	874	4
		12	695	4
		12	745	4
		12	757	4
BACR15CE8KE17		1	828	5
		1	890	5
		12	711	5
		12	773	5
		15	65	4
BACR15CE8KE19		1	892	5
		12	775	5
BACR15CE8KE20		1	824	5
		1	886	5
		12	707	5
		12	769	5
		15	60	6
BACR15CE8KE22		1	888	5
		12	771	5
BACR15DR3AC		7	300A	1
BACR15FP5MPR		15	10	4
BACR15FT5D		5	25A	13
BACR15FT5KE		1	415	2
		7	537	4
		12	303	2
BACR15FT5KE2		1	692	23
		12	577	23
BACR15FT5KE3C		7	588A	1
BACR15FT5KE4C		7	591A	1
BACR15FT5KE5		1	690	2
		12	575	2
BACR15FT6KE		1	431	10
		3	65	36

71-11-33

 ILLUSTRATED PARTS LIST
 01.1 Page 1020L
 Jul 01/04


BOEING
 COMPONENT
 MAINTENANCE MANUAL

PART NUMBER	AIRLINE PART NO.	FIG.	ITEM	TTL REQ		
BACR15FT6KE		3	235	18		
		3	305	8		
		3	340	6		
		4	185	36		
		7	594	3		
		11	35	8		
		11	225	18		
		12	325	10		
		BACS12CK06U5		6	65	2
				6	95	2
		BACS12CK3-24		1	656	2
				12	541	2
BACS12CK3-8		1	666	4		
		12	551	4		
BACS12CK3U8		2	60	5		
		2	75	11		
BACS12CK4U8		2	5	1		
BACS13BX06H		2	110	1		
		2	130	2		
BACS13BX06HP		2	130A	2		
BACS18AN16		1	660	1		
		12	545	1		
BACS40R004F041F		1	285	1		
		12	185	1		
BACS40R007D011F		12	401	1		
BACS40R008D030F		7	684A	2		
BACS40R009B030F		9	230C	2		
		13	230	2		
BACS40R009B031F		9	220B	1		
		13	220	1		
BACS40R009B041F		9	225B	1		
		13	225	1		
BACS40R011B028F		15	90	2		
BACS40R011B033F		15	125	1		
BACS40R011C033F		15	115	1		
BACS40R021B029F		15	130	1		
BACS40R021B035F		15	100	1		
BACS40R022C058F		15	95	1		
BACS40R022C065F		15	120	1		
BACS40R07D011F		1	502	1		
BACS40R08C359F		7	177	1		
BACS40R09B21F		3	115	6		
		4	255	6		
BACS40R09D10F		7	180	6		
BACS40R10C17F		1	794	1		
		12	679	1		

71-11-33

 ILLUSTRATED PARTS LIST
 01.1 Page 1020M
 Jul 01/04

PART NUMBER	AIRLINE PART NO.	FIG.	ITEM	TTL REQ
BACS4OR10C38F		5	350	1
BACS4OR10D19F		7	183	6
BACS4OR11B22F		3	110	6
		4	250	6
BACS4OR11B28F		1	848	1
		1	910	1
		12	731	1
		12	793	1
BACS4OR11B2833F		1	842	1
		1	904	1
		12	725	1
		12	787	1
BACS4OR11B61F		1	532	1
		12	431	1
BACS4OR11C43F		7	171	1
BACS4OR12C35F		5	130	1
BACS4OR13D43F		7	174	1
BACS4OR17B33F		3	120	6
		4	260	6
BACS4OR21B29F		1	838	1
		1	900	1
		12	721	1
		12	783	1
BACS4OR21B35F		1	844	1
		1	906	1
		12	727	1
		12	789	1
BACS4OR22C58F		1	846	1
		1	908	1
		12	729	1
		12	791	1
BACS4OR22C65F		1	840	1
		1	902	1
		12	723	1
		12	785	1
BACS4OR37C46F		5	345	1
BACS4OR6W33		2	55	2
BACS4OR6W38		2	50	2
BACS4OR7B10F		1	302	3
		1	956	1
		12	209	32
		12	839	1

71-11-33

 ILLUSTRATED PARTS LIST
 01.1 Page 1020N
 Jul 01/04


BOEING
 COMPONENT
 MAINTENANCE MANUAL

PART NUMBER	AIRLINE PART NO.	FIG.	ITEM	TTL REQ
BACU24AA0604J		2	150	1
BACU24AB6H		2	120	1
BACW10BN3SP		1	646	1
		1	658	2
		1	668	1
		12	531	1
		12	543	2
		12	553	1
BACW10BN6SP		2	200	3
BACW10BP5ACU		7	267	1
		7	390	3
BACW10P69S		3	185	2
		11	175	2
BAC27EPPS10048		7	733	1
BAC27TPP0209		3	635	1
		11	490	1
BAC27TPP0210		3	640	1
		11	500	1
BAC27TPP0211		3	645	1
		11	510	1
BAC27TPP0213		3	655	1
		11	495	1
BAC27TPP0214		3	660	1
		11	505	1
BAC27TPP0215		3	665	1
		11	515	1
BAC27TPP0217		3	650	1
		11	520	1
BAC27TPP0218		3	670	1
		11	525	1
BAC27TTR0025		3	620	4
		11	475	6
BAC27TTR0035		7	774	1
BAC27TTR0036		3	625	1
		11	480	1

71-11-33

ILLUSTRATED PARTS LIST

01.1 Page 10200

Jul 01/04

PART NUMBER	AIRLINE PART NO.	FIG.	ITEM	TTL REQ
BAC27TTR0039		3	630	1
		11	485	1
BH00303-3		1	678	5
		12	563	5
BH003033		1	678	5
BH003033		12	563	5
BH00309-5		1	415S	2
		12	307	2
BH00309-5S		1	415S	2
		12	307	2
BH00309-6		1	431S	10
		12	329	10
BH00309-6S		1	431S	10
		12	329	10
BMNN10HR4		7	234	4
		7	648	4
BMN10HRCPD3-3		1	678	5
		12	563	5
BMN10HR4		7	234	4
		7	648	4
BMN5024CPD3-3		1	678	5
		12	563	5
BMN5024CPD33		1	678	5
		12	563	5
BRFM20C08M		1	524	11
		5	385	1
		5	440	3
		12	419	11
BRFM20C3M		5	150	14
BRFM20C4M		3	615	6
		5	155	11
		11	470	6
BRFR120C3-2M		1	422	1
		1	430	1
		1	448	1
		1	458	1
		1	468	1
		1	478	1
		1	488	1
		12	315	1
		12	323	1
		12	347	1
		12	357	1
		12	367	1
		12	377	1
		12	387	1

71-11-33

 ILLUSTRATED PARTS LIST
 01.1 Page 1020P
 Jul 01/04


BOEING
 COMPONENT
 MAINTENANCE MANUAL

PART NUMBER	AIRLINE PART NO.	FIG.	ITEM	TTL REQ
BRFR220A4-1		1	362	2
		12	249	2
BRFR220C3-2M		12	337	1
		12	345	1
BRFR220C3-2M		12	355	1
		12	365	1
		12	375	1
		12	385	1
		12	522	12
BRFR220C3-3M		1	522	12
		12	417	12
BRF100C08M		7	615	1
BRF100C3D		1	500	1
		1	526	1
BRF100C4D		4	40A	4
		12	399	1
		12	423	1
		1	36	2
		1	73	10
		1	73A	2
		1	118	4
		1	118A	2
		1	154	2
		1	187	4
		1	220	4
		1	259	4
		12	15	4
		12	37	10
		12	37A	2
12	61	4		
12	61A	2		
12	83	2		
12	105	4		
12	125	4		
12	149	4		

71-11-33

ILLUSTRATED PARTS LIST

01.1 Page 1020Q

Jul 01/04

PART NUMBER	AIRLINE PART NO.	FIG.	ITEM	TTL REQ
BRF100C4M		3	315	2
		4	35	2
BRF110C3M		7	528	3
		7	564	1
BRF110C4M		7	492	6
		7	513	3
BRF170C3M		7	528	3
		7	564	1
BRF170C4M		7	492	6
		7	513	3
BRF200A3		3	600	32
		4	53	32
BRF200C3M		3	275	2
		5	160	2
		9	150	8
BRF200C3M		11	265	2
		13	155	6
BRF200C4D		1	40	2
		1	79	10
		1	79A	2
		1	124	4
		1	124A	2
		1	160	2
		1	193	4
		1	226	4
		1	265	4
		7	303A	1
		12	19	4
		12	41	10
		12	41A	2
		12	65	4
		12	65A	2
12	87	2		
12	109	4		
12	129	4		
12	153	4		

71-11-33

 ILLUSTRATED PARTS LIST
 01.1 Page 1020R
 Jul 01/04


BOEING
 COMPONENT
 MAINTENANCE MANUAL

PART NUMBER	AIRLINE PART NO.	FIG.	ITEM	TTL REQ
BRH10A08		7	156	1
		14	65	1
BRH10A3		1	762	3
		1	930	5
		3	25	2
		3	535	2
		3	619	4
		4	83	4
		5	185	1
		5	210	1
		7	135	1
		7	153	1
		7	468	2
		11	20	2
		12	649	3
		12	813	5
		14	20	1
BRH10A4		3	460	1
		7	447	1
		11	105	1
BRH10C06		6	105	2
BRH10C08M		1	707	2
		12	593	2
BRH10C3		1	323	16
BRH10C3		1	970	8
		9	135	14
		12	225	16
		12	853	8
		13	140	14
BRH10C3D		9	112	12
		13	115	12
BRH10C3M		1	542	1
		1	547	1
		1	648	1
		1	662	2
		1	672	4
		1	772	1
		2	65	1
		2	85	4
		12	441	2
		12	535	1
		12	547	2
		12	557	4
		12	657	1

71-11-33

ILLUSTRATED PARTS LIST

01.1 Page 1020S

Jul 01/04

PART NUMBER	AIRLINE PART NO.	FIG.	ITEM	TTL REQ
BRH10C4M		2	10	1
		7	270	1
		7	393	3
BRM100C06LM		6	115	2
BRM100C3M		2	225	4
		5	280	3
BRM200A3		5	525	3
BRM200C08M		5	500	2
		7	612	1
BRM300C08M		5	380	1
BRM300C4M		7	495	6
BR1000A3		3	495	2
		11	320	2
BR2000C3M		1	520	1
		12	415	1
BR2000C4D		7	303	1
BR3000C3M		7	534	1
BOE2040		1	329	2
		1	974	1
		12	229	2
		12	857	1
BOE2040-0004		1	332	2
		1	976	1
		12	229A	2
		12	857A	1
BOE2048-0501		9	115	1
BOE2048-0502		9	120	1
BOE2048-0504		9	115C	1
		13	120	1
BOE2048-0505		9	120C	1
		13	125	1

71-11-33

 ILLUSTRATED PARTS LIST
 01.1 Page 1020T
 Jul 01/04


BOEING
 COMPONENT
 MAINTENANCE MANUAL

PART NUMBER	AIRLINE PART NO.	FIG.	ITEM	TTL REQ
B150-221		6	28D	1
B150-222		6	29D	1
B30MY5K10		1	606	1
		12	499	1
B30MY5K11		1	604	2
		12	497	2
B30MY5K12		1	602	2
		12	495	2
B30MY5K13		1	600	2
		12	493	2
B30MY5K14		1	598	2
		12	491	2
B30MY5K15		1	596	2
		12	489	2
B30MY5K16		1	594	1
		12	487	1
B30MY5K17		1	592	17
		1	700	26
		12	485	17
		12	585	26
B30MY5K18		1	590	21
		12	483	21
B30MY5K2		1	612	4
		9	160	16
		12	505	4
B30MY5K21		1	588	1
		12	481	1
B30MY5K22		1	586	2
		12	479	2
B30MY5K3		1	610	5
		1	704	3
		3	506	175
		3	507	5
		9	165	2
		11	345	175
B30MY5K3		11	350	5
		12	503	5
		12	589	3
B30MY5K4		1	702	3
		3	507A	5
		7	639	4
		11	355	5
		12	587	3
		13	165	4

71-11-33

 ILLUSTRATED PARTS LIST
 01.1 Page 1020U
 Jul 01/04

PART NUMBER	AIRLINE PART NO.	FIG.	ITEM	TTL REQ
B30MY5K5		1	608	1
		7	711	4
		12	501	1
B30MY6K12		3	215	2
		11	205	2
B30MY6K14		1	566	2
		12	459	2
B30MY6K16		1	562	5
		5	470	1
		12	455	5
B30MY6K17		1	560	6
		12	453	6
B30MY6K18		1	558	9
		1	732	20
		12	451	9
		12	619	20
B30MY6K19		1	556	14
		12	449	14
B30MY6K2		7	450	6
		1	708	2
		1	730	9
		5	410	4
		12	595	2
		12	617	9
B30MY6K21		1	728	1
		5	415	4
		12	615	1
B30MY6K22		5	335	2
B30MY6K23		5	330	2
B30MY6K24		1	644	1
		12	529	1
B30MY6K4		1	834	5
		1	896	5
		3	415	7
		4	35L	3
		4	38M	5

71-11-33

 ILLUSTRATED PARTS LIST
 01.1 Page 1020V
 Jul 01/04


BOEING
 COMPONENT
 MAINTENANCE MANUAL

PART NUMBER	AIRLINE PART NO.	FIG.	ITEM	TTL REQ
B30MY6K4		4	38Q	1
		11	50	7
		12	717	5
		12	779	5
B30MY6K5		1	780	4
		3	295	4
		3	420	9
		4	38S	1
		7	96	14
		7	582	1
		11	25	4
B30MY6K7		11	55	9
		12	665	4
		7	201	2
B30MY6K8		7	453	3
		3	80	8
B30MY6K9		4	200	8
		7	456	1
		3	75	4
B30MY8K10		4	195	4
		3	55	8
B30MY8K11		4	175	8
		7	426	1
		3	50	4
B30MY8K2		4	170	4
B30MY8K4		7	435	7
B30MY8K5		7	429	5
B30MY8K6		7	87	6
B30MY8K7		3	435	1
		11	80	1
		3	440	1
		7	90	5
		11	85	1

71-11-33

ILLUSTRATED PARTS LIST

01.1 Page 1020W

Jul 01/04

PART NUMBER	AIRLINE PART NO.	FIG.	ITEM	TTL REQ
B30NW5K19		5	260	6
B30NW5K3		7	477	9
B30NW5K7		7	504	12
B30NW6K12		1	570	2
		12	463	2
B30NW6K13		1	568	2
		12	461	2
B30NW6K19		1	298	32
		1	954	16
		2	195	3
		12	207	32
		12	837	16
B30NW6K2		7	459	1
B30NW6K3		1	338	24
		1	818	66
		1	880	66
		1	980	12
		7	99	12
		7	462	2
		12	233	24
		12	701	66
		12	763	66
		12	861	12
		15	140	66
B30NW6K4		1	335	10
		1	978	5
		12	231	10
		12	859	5
B30NW6K5		1	832	4
		1	894	4
		7	579	1
		7	618	3
		12	715	4
		12	777	4
		15	35	4
		15	135	100

71-11-33

 ILLUSTRATED PARTS LIST
 01.1 Page 1020X
 Jul 01/04


BOEING
 COMPONENT
 MAINTENANCE MANUAL

PART NUMBER	AIRLINE PART NO.	FIG.	ITEM	TTL REQ
B30NW6K9		7	432	1
B30NW8K12		1	528	6
		12	427	6
B307BBB0150CN		2	155	1
CCR264CS3C		7	300A	1
CR59064		7	234	4
		7	648	4
CR59083		1	678	5
		12	563	5
CSR924-5-7		1	287J	1
CSR924-5-7R		1	284M	1
CSR924-6-5		12	195	2
CSR924-6-6		1	284S	2
		12	183	2
CSR924-6-7		1	287M	1
		12	193	2
CSR924-6-7R		12	181	1
CSR924-6-9		1	284A	1
		12	179	1
DBOC14AD6JL		1	682	1
		12	567	1
DBOS13BX06H		2	110	1
		2	130	2
DBOS13BX06HP		2	130A	2
DBOU24AA0604J		2	150	1
DBOU24AB6H		2	120	1
D4848-1		1	680	1
		1	932	1
		12	565	1
		12	815	1
ER832-0604J		2	150	1
E4B6		3	10	2
E4B6A		3	10A	2
FER1579-0604J		2	150	1
FER22661-06JL		1	682	1
		12	567	1
F2001-08		7	615	1
F2001-4		3	315	2
		4	35	2
F2401-3		7	528	3
		7	564	1

71-11-33

 ILLUSTRATED PARTS LIST
 01.1 Page 1020Y
 Jul 01/04

PART NUMBER	AIRLINE PART NO.	FIG.	ITEM	TTL REQ
F2401-4		7	492	6
		7	513	3
F5000-3BAC		3	600	32
		4	53	32
F5001-3BAC		3	275	2
		5	160	2
		9	150	8
		11	265	2
		13	155	6
F51604-3		1	500	1
		1	526	1
		4	40A	4
		12	399	1
		12	423	1
F51604-4		1	36	2
		1	73	10
F51604-4		1	73A	2
		1	118	4
		1	118A	2
		1	154	2
		1	187	4
		1	220	4
		1	259	4
		12	15	4
		12	37	10
		12	37A	2
		12	61	4
		12	61A	2
		12	83	2
		12	105	4
		12	125	4
		12	149	4

71-11-33

 ILLUSTRATED PARTS LIST
 01.1 Page 1020Z
 Jul 01/04


BOEING
 COMPONENT
 MAINTENANCE MANUAL

PART NUMBER	AIRLINE PART NO.	FIG.	ITEM	TTL REQ
F51747-3-2DL		1	438	1
		1	446	1
		1	456	1
		1	466	1
		1	476	1
		1	486	1
		3	390	12
		11	290	12
		12	337	1
		12	345	1
		12	355	1
		12	365	1
		12	375	1
		12	385	1
F51747-3-2DL		1	522	12
F51747-3-3DL		12	417	12
F51750-4-1		1	362	2
		12	249	2
F51751-3-2DL		1	422	1
		1	430	1
		1	448	1
		1	458	1
		1	468	1
		1	478	1
		1	488	1
		12	315	1
		12	323	1
		12	347	1
		12	357	1
		12	367	1
	12	377	1	
	12	387	1	

71-11-33

ILLUSTRATED PARTS LIST

01.1

Page 1021

Jul 01/04

PART NUMBER	AIRLINE PART NO.	FIG.	ITEM	TTL REQ
F51753-3DL		9	155	4
F51753-4CD		1	404	54
		12	291	54
F51753-4DL		1	404A	54
		12	291A	54
G6940-4B6		3	10	2
HLVAZ6-2		7	459	1
HL10VAZ5-10		1	606	1
		12	499	1
HL10VAZ5-11		1	604	2
		12	497	2
HL10VAZ5-12		1	602	2
		12	495	2
HL10VAZ5-13		1	600	2
		12	493	2
HL10VAZ5-14		1	598	2
		12	491	2
HL10VAZ5-15		1	596	2
		12	489	2
HL10VAZ5-16		1	594	1
		12	487	1
HL10VAZ5-17		1	592	17
		1	700	26
		12	485	17
		12	585	26
HL10VAZ5-18		1	590	21
		12	483	21
HL10VAZ5-2		1	612	4
		9	160	16
		12	505	4
HL10VAZ5-21		1	588	1
		12	481	1
HL10VAZ5-22		1	586	2
		12	479	2
HL10VAZ5-3		1	610	5
		1	704	3
		3	506	175
		3	507	5
		9	165	2
		11	345	175
		11	350	5
		12	503	5
		12	589	3

71-11-33

 ILLUSTRATED PARTS LIST
 01.1 Page 1022
 Jul 01/04


BOEING
 COMPONENT
 MAINTENANCE MANUAL

PART NUMBER	AIRLINE PART NO.	FIG.	ITEM	TTL REQ
HL10VAZ5-4		1	702	3
		3	507A	5
		7	639	4
		11	355	5
		12	587	3
		13	165	4
HL10VAZ5-5		1	608	1
		7	711	4
		12	501	1
HL10VAZ6-10		15	45	1
HL10VAZ6-12		3	215	2
		11	205	2
HL10VAZ6-14		1	566	2
		12	459	2
HL10VAZ6-15		1	564	4
		5	475	1
		12	457	4
HL10VAZ6-16		1	562	5
		5	470	1
		12	455	5
HL10VAZ6-17		1	560	6
		12	453	6
HL10VAZ6-18		1	558	9
		1	732	20
		12	451	9
		12	619	20
HL10VAZ6-19		1	556	14
HL10VAZ6-19		12	449	14
HL10VAZ6-2		7	450	6
HL10VAZ6-20		1	708	2
		1	730	9
		5	410	4
		12	595	2
		12	617	9

71-11-33

 ILLUSTRATED PARTS LIST
 01.1 Page 1022A
 Jul 01/04

PART NUMBER	AIRLINE PART NO.	FIG.	ITEM	TTL REQ
HL10VAZ6-21		1	728	1
		5	415	4
		12	615	1
HL10VAZ6-22		5	335	2
HL10VAZ6-23		5	330	2
HL10VAZ6-24		1	644	1
		12	529	1
HL10VAZ6-4		1	834	5
		1	896	5
		3	415	7
		4	35L	3
		4	38M	5
		4	38Q	1
		11	50	7
		12	717	5
		12	779	5
		15	40	4
		HL10VAZ6-5		1
3	295			4
3	420			9
4	38S			1
7	96			14
7	582			1
11	25			4
11	55			9
12	665			4
3	425			1
HL10VAZ6-6		11	65	1
		7	201	2
HL10VAZ6-7		7	453	3
		3	80	8
HL10VAZ6-8		4	200	8
		7	456	1
		3	75	4
HL10VAZ6-9		4	195	4
		3	55	8
HL10VAZ8-10		4	175	8
		7	426	1
		3	50	4
HL10VAZ8-11		4	170	4
		7	435	7
HL10VAZ8-2		7	429	5
HL10VAZ8-4		7	87	6
HL10VAZ8-5		7		

71-11-33

 ILLUSTRATED PARTS LIST
 01.1 Page 1022B
 Jul 01/04


BOEING
 COMPONENT
 MAINTENANCE MANUAL

PART NUMBER	AIRLINE PART NO.	FIG.	ITEM	TTL REQ
HL10VAZ8-6		3	435	1
		11	80	1
HL10VAZ8-7		3	440	1
		7	90	5
		11	85	1
HL1012AZ5-3		7	699	4
		9	175	6
HL1012AZ6-10		1	742	2
		12	629	2
HL1012AZ6-12		3	225	2
		11	215	2
HL1012AZ6-13		1	578	2
		1	630	2
		12	471	2
HL1012AZ6-14		12	523	2
		1	628	1
		12	521	1
HL1012AZ6-19		1	576	7
		12	469	7
HL1012AZ6-3		2	175	3
HL1012AZ6-5		7	402	3
HL1012AZ6-6		3	135	4
		3	175	2
		7	411	3
		11	120	4
HL1012AZ6-7		11	165	2
		7	405	2
HL1012AZ6-8		3	140	12
		7	408	4
HL1012AZ8-10		11	125	12
		1	738	4
		12	625	4

71-11-33

 ILLUSTRATED PARTS LIST
 01.1 Page 1022C
 Jul 01/04

PART NUMBER	AIRLINE PART NO.	FIG.	ITEM	TTL REQ
HL1012AZ8-19		1	582	4
		12	475	4
HL1012AZ8-23		5	320	2
HL1012AZ8-25		5	322	1
HL11VAZ5-19		5	260	6
HL11VAZ5-3		7	477	9
HL11VAZ5-7		7	504	12
HL11VAZ6-12		1	570	2
		12	463	2
HL11VAZ6-13		1	568	2
		12	461	2
HL11VAZ6-19		1	298	32
		1	954	16
		2	195	3
		12	207	32
		12	837	16
		7	459	1
HL11VAZ6-2		1	338	24
HL11VAZ6-3		1	818	66
		1	880	66
		1	980	12
		7	99	12
		7	462	2
		12	233	24
		12	701	66
		12	763	66
		12	861	12
		15	140	66
HL11VAZ6-4		1	335	10
HL11VAZ6-4		1	978	5
		12	231	10
		12	859	5
		1	832	4
HL11VAZ6-5		1	894	4
		7	579	1
		7	618	3
		12	715	4
		12	777	4
		15	35	4
		15	135	100

71-11-33

 ILLUSTRATED PARTS LIST
 01.1 Page 1022D
 Jul 01/04


BOEING
 COMPONENT
 MAINTENANCE MANUAL

PART NUMBER	AIRLINE PART NO.	FIG.	ITEM	TTL REQ
HL11VAZ6-9		7	432	1
HL11VAZ8-12		1	528	6
		12	427	6
HL11V6-4		1	335	10
		1	978	5
		12	231	10
		12	859	5
HL11V6-5		1	832	4
		1	894	4
		7	579	1
		7	618	3
		12	715	4
		12	777	4
HL1187-5		1	946	4
HL1187-5		9	180	6
		12	829	4
		13	180	7
HL1187-6		3	145A	16
		3	230A	2
		7	414	13
		11	130A	16
		11	220A	2
HL1187DUW6		1	580	9
		1	744	2
		3	190	2
		5	465	2
		11	180	2
		12	473	9
		12	631	2
HL1187DUW8		1	584	4
		1	740	4
		5	325	3
		12	477	4
		12	627	4

71-11-33

ILLUSTRATED PARTS LIST

01.1 Page 1022E

Jul 01/04

PART NUMBER	AIRLINE PART NO.	FIG.	ITEM	TTL REQ
HL1187DU5		7	690	8
		7	702	4
HL1187DU6		1	752	4
		3	145	16
		3	230B	2
		7	669	6
		11	130	16
		11	220	2
		12	639	4
HL12VAZ5-3		7	699	4
		9	175	6
HL12VAZ6-10		1	742	2
		12	629	2
HL12VAZ6-12		3	225	2
		11	215	2
HL12VAZ6-13		1	578	2
		1	630	2
		12	471	2
		12	523	2
HL12VAZ6-14		1	628	1
		12	521	1
HL12VAZ6-19		1	576	7
		12	469	7
HL12VAZ6-3		2	175	3
HL12VAZ6-5		7	402	3
HL12VAZ6-6		3	135	4
		3	175	2
		7	411	3
		11	120	4
		11	165	2
HL12VAZ6-7		7	405	2
HL12VAZ6-8		3	140	12
		7	408	4
		11	125	12
HL12VAZ8-10		1	738	4
		12	625	4

71-11-33

 ILLUSTRATED PARTS LIST
 01.1 Page 1022F
 Jul 01/04


BOEING
 COMPONENT
 MAINTENANCE MANUAL

PART NUMBER	AIRLINE PART NO.	FIG.	ITEM	TTL REQ
HL12VAZ8-19		1	582	4
		12	475	4
HL12VAZ8-23		5	320	2
HL12VAZ8-25		5	322	1
HL13VAZ5-4		7	687	8
HL13VAZ6-10		1	746	1
		12	633	1
HL13VAZ6-14		5	460A	1
HL13VAZ6-15		5	455A	1
HL13VAZ6-18		1	550	1
		1	552	2
		12	445	1
		12	447	2
HL13VAZ6-19		1	548	1
		12	443	1
HL13VAZ6-20		1	778	2
		12	663	2
HL13VAZ6-21		1	734	1
		5	460	1
		12	621	1
HL13VAZ6-22		5	455	1
HL13VAZ6-4		1	816	72
		1	878	72
		12	699	72
HL13VAZ6-4		12	761	72
		15	20	72
HL13VAZ6-5		1	750	2
		7	399	1
		12	637	2
HL13VAZ6-7		7	663	6
HL13VAZ6-9		1	748	1
		12	635	1
HL13VAZ8-20		1	784	2
		5	305	2
		12	669	2
HL13VAZ8-21		5	310	2
HL13V10		1	746	1
		12	633	1
HL13V14		5	460A	1
HL13V15		5	455A	1
HL13V18		1	550	1
		1	552	2
		12	445	1
		12	447	2

71-11-33

 ILLUSTRATED PARTS LIST
 01.1 Page 1022G
 Jul 01/04

PART NUMBER	AIRLINE PART NO.	FIG.	ITEM	TTL REQ
HL13V19		1	548	1
		12	443	1
HL13V20		1	778	2
		1	784	2
		5	305	2
		12	663	2
		12	669	2
HL13V21		1	734	1
		5	310	2
		5	460	1
		12	621	1
HL13V22		5	455	1
HL13V4		1	816	72
		1	878	72
		7	687	8
		12	699	72
		12	761	72
HL13V5		1	750	2
		7	399	1
		12	637	2
HL13V7		7	663	6
HL13V9		1	748	1
		12	635	1
HL18-5A		9	205A	8
		13	205	8
HL19-5-5		7	147	1
		14	55	1
HL19PB5-5		7	147	1
		14	55	1
HL440UC5-4		3	157	2
		11	145	2
HL441UC5-4		3	157	2
		11	145	2
HL505-6-17		1	934	12

71-11-33

 ILLUSTRATED PARTS LIST
 01.1 Page 1022H
 Jul 01/04


BOEING
 COMPONENT
 MAINTENANCE MANUAL

PART NUMBER	AIRLINE PART NO.	FIG.	ITEM	TTL REQ
HL505-6-17		12	817	12
HL523AZ5-18		8	130	1
HL70-5		1	614	49
		1	706	30
		3	508	180
		5	265	6
		7	351	2
		7	480	9
		7	507	12
		7	642	4
		7	714	4
		8	135	1
		9	170	18
		11	360	180
		12	507	49
		12	591	30
		13	175	20
HL77-6		1	938	12
		12	821	12
HL79-6		1	363L	6
		1	554	3
		1	572	16

71-11-33

ILLUSTRATED PARTS LIST

01.1 Page 1022I

Jul 01/04

PART NUMBER	AIRLINE PART NO.	FIG.	ITEM	TTL REQ
HL79-6		1	710	2
		1	736	31
		1	782	6
		1	820	138
		1	836	9
		1	882	138
		1	898	9
		2	20	1
		2	205	3
		3	85A	12
		3	220	2
		3	300	4
		3	430	17
		4	35P	3
		4	38V	6
		4	205	12
		5	340	4
		5	420	8
		7	102	26
		7	204	2
		7	465	11
		7	585	2
		7	621	3
		11	30	4
		11	75	17
		11	210	2
		12	250	6
		12	465	19
		12	597	2
		12	623	31
		12	667	6
		12	703	138
		12	719	9
	12	765	138	
	12	781	9	
	15	25	72	
	15	55	5	
	15	145	166	
HL79-8		1	530	6
		1	786	2
		3	60	12
		3	445	2
		4	180	12
		5	315	4
		7	93	11

71-11-33

 ILLUSTRATED PARTS LIST
 01.1 Page 1022J
 Jul 01/04


BOEING
 COMPONENT
 MAINTENANCE MANUAL

PART NUMBER	AIRLINE PART NO.	FIG.	ITEM	TTL REQ
HL79-8		7	441	12
		11	90	2
		12	429	6
		12	671	2
HL82-5APBW		1	616	14
		12	509	14
HL82-6APBW		1	574	28
		1	632	3
		5	480	2
		12	467	28
HL86DU5		12	525	3
		7	690	8
HL86PB5		7	702	4
		1	946	4
HL87-5		9	180	6
		12	829	4
		13	180	7
		1	946	4
		9	180	6
HL87-6		12	829	4
		13	180	7
		3	145A	16
		3	230A	2
HL87DUW6		7	414	13
		11	130A	16
		11	220A	2
		1	580	9
		1	744	2
		3	190	2
		5	465	2
		11	180	2
		12	473	9
		12	631	2

71-11-33

 ILLUSTRATED PARTS LIST
 01.1 Page 1022K
 Jul 01/04

PART NUMBER	AIRLINE PART NO.	FIG.	ITEM	TTL REQ
HL87DUW8		1	584	4
		1	740	4
		5	325	3
		12	477	4
		12	627	4
HL87DU5		7	690	8
		7	702	4
HL87DU6		1	752	4
		3	145	16
		3	230B	2
		7	669	6
		11	130	16
		11	220	2
HL97DU5		12	639	4
		9	210A	8
		13	210	8
HL97DU6		1	305A	32
		1	341A	34
		1	958A	16
		1	982A	17
		2	185	7
		12	211	32
		12	235	34
		12	841	16
		12	863	17
		HST79-6		9
13	10			36
HST79CY6		9	10A	36
		13	10	36
H01-08BAC		1	707	2
		12	593	2

71-11-33

 ILLUSTRATED PARTS LIST
 01.1 Page 1022L
 Jul 01/04


BOEING
 COMPONENT
 MAINTENANCE MANUAL

PART NUMBER	AIRLINE PART NO.	FIG.	ITEM	TTL REQ	
H01-3BAC		1	542	1	
		1	547	1	
		1	648	1	
		1	662	2	
		1	672	4	
		1	772	1	
		2	65	1	
		2	85	4	
		12	441	2	
		12	535	1	
		12	547	2	
		12	557	4	
		12	657	1	
	H01-4BAC		2	10	1
			7	270	1
H10-08BAC		7	393	3	
		7	156	1	
H10-3BAC		14	65	1	
		1	762	3	
		1	930	5	
		3	25	2	
		3	535	2	
		3	619	4	
		4	83	4	
		5	185	1	
		5	210	1	
		7	135	1	
		7	153	1	
		7	468	2	
		11	20	2	
		12	649	3	
	12	813	5		
	14	20	1		

71-11-33

ILLUSTRATED PARTS LIST

01.1 Page 1022M

Jul 01/04

PART NUMBER	AIRLINE PART NO.	FIG.	ITEM	TTL REQ
H10-4BAC		3	460	1
H10-4BAC		7	447	1
		11	105	1
H2850-2		7	246	1
H2876-3		7	372	3
H2898-3		7	228	1
H2899-5		7	237	1
		7	486	2
H31-06BAC		6	105	2
H31-3BAC		1	323	16
		1	970	8
		9	135	14
		12	225	16
		12	853	8
		13	140	14
H39953-3		1	678	5
		12	563	5
H4B6		3	10	2
H5100-115-250		7	696	1
H5100-125-330		7	693	1
H5100-2-115-250		7	696	1
H5100-2-125-330		7	693	1
H51650-3BAC		9	112	12
		13	115	12
H96-4		7	234	4
		7	648	4
H964		7	234	4
		7	648	4
JM44LC13WS6R		1	650	1
		12	537	1
JM44SC17S16R		1	664	1
		12	549	1
KFN600-5		1	415S	2
		12	307	2
KFN600-5S		1	415S	2
		12	307	2
KFN600-6		1	431S	10
		12	329	10
KFN600-6S		1	431S	10
KFN600-6S		12	329	10
K1001-3BAC		1	520	1
		12	415	1
K2000-3		3	495	2
		11	320	2

71-11-33

 ILLUSTRATED PARTS LIST
 01.1 Page 1022N
 Jul 01/04


BOEING
 COMPONENT
 MAINTENANCE MANUAL

PART NUMBER	AIRLINE PART NO.	FIG.	ITEM	TTL REQ
K3001-3BAC		7	534	1
K51601-4BAC		7	303	1
K51602-4BAC		1	40	2
		1	79	10
		1	79A	2
		1	124	4
		1	124A	2
		1	160	2
		1	193	4
		1	226	4
		1	265	4
		7	303A	1
		12	19	4
		12	41	10
		12	41A	2
		12	65	4
		12	65A	2
		12	87	2
		12	109	4
		12	129	4
		12	153	4
LER832-0604J		2	150	1
L8006-15		1	564	4
		5	475	1
		12	457	4
L8006K6		3	425	1
		11	65	1
L801-5K4		7	687	8
L801-6K10		1	746	1
		12	633	1
L801-6K14		5	460A	1
L801-6K15		5	455A	1
L801-6K18		1	550	1
		1	552	2
		12	445	1
		12	447	2
L801-6K19		1	548	1
		12	443	1
L801-6K20		1	778	2
		12	663	2
L801-6K21		1	734	1
		5	460	1
		12	621	1

71-11-33

 ILLUSTRATED PARTS LIST
 01.1 Page 10220
 Jul 01/04

PART NUMBER	AIRLINE PART NO.	FIG.	ITEM	TTL REQ
L801-6K22		5	455	1
L801-6K4		1	816	72
		1	878	72
		12	699	72
		12	761	72
		15	20	72
L801-6K5		1	750	2
		7	399	1
		12	637	2
L801-6K7		7	663	6
L801-6K9		1	748	1
		12	635	1
L801-8K20		1	784	2
		5	305	2
		12	669	2
L801-8K21		5	310	2
L802-5K3		7	699	4
		9	175	6
L802-6K10		1	742	2
		12	629	2
L802-6K12		3	225	2
		11	215	2
L802-6K13		1	578	2
		1	630	2
		12	471	2
		12	523	2
L802-6K14		1	628	1
		12	521	1
L802-6K19		1	576	7
		12	469	7
L802-6K3		2	175	3

71-11-33

 ILLUSTRATED PARTS LIST
 01.1 Page 1022P
 Jul 01/04


BOEING
 COMPONENT
 MAINTENANCE MANUAL

PART NUMBER	AIRLINE PART NO.	FIG.	ITEM	TTL REQ
L802-6K5		7	402	3
L802-6K6		3	135	4
		3	175	2
		7	411	3
		11	120	4
		11	165	2
L802-6K7		7	405	2
L802-6K8		3	140	12
		7	408	4
		11	125	12
L802-8K10		1	738	4
		12	625	4
L802-8K19		1	582	4
		12	475	4
L802-8K23		5	320	2
L802-8K25		5	322	1
L803-5K19		5	260	6
L803-5K3		7	477	9
L803-5K7		7	504	12
L803-6-4		1	335	10
		1	978	5
		12	231	10
		12	859	5
L803-6-5		1	832	4
		1	894	4
		7	579	1
		7	618	3
		12	715	4
		12	777	4
L803-6K12		1	570	2
		12	463	2
L803-6K13		1	568	2
		12	461	2
L803-6K19		1	298	32
		1	954	16
		2	195	3
		12	207	32
		12	837	16

71-11-33

 ILLUSTRATED PARTS LIST
 01.1 Page 1022Q
 Jul 01/04

PART NUMBER	AIRLINE PART NO.	FIG.	ITEM	TTL REQ
L803-6K2		7	459	1
L803-6K3		1	338	24
		1	818	66
		1	880	66
		1	980	12
		7	99	12
		7	462	2
		12	233	24
		12	701	66
		12	763	66
		12	861	12
		15	140	66
L803-6K5		15	35	4
		15	135	100
L803-6K9		7	432	1
L803-8K12		1	528	6
		12	427	6
L804-5K18		8	130	1
L8055A		9	205A	8
		13	205	8
L8055A4		3	157	2
		11	145	2
L839-5-5		7	147	1
		14	55	1
MF1001-08BAC		1	524	11
		5	385	1
		5	440	3
		12	419	11
MF1001-3BAC		5	150	14
MF1001-4BAC		3	615	6
		5	155	11
		11	470	6
MF53050-3DL		5	150	14

71-11-33

 ILLUSTRATED PARTS LIST
 01.1 Page 1022R
 Jul 01/04


BOEING
 COMPONENT
 MAINTENANCE MANUAL

PART NUMBER	AIRLINE PART NO.	FIG.	ITEM	TTL REQ
MF6000-3		3	350	4
MK1000-3BAC		5	525	3
MK1001-08BAC		5	500	2
		7	612	1
MK2001-06BAC		6	115	2
MK2001-3BAC		2	225	4
		5	280	3
MK3001-08BAC		5	380	1
MK3001-4BAC		7	495	6
MK4001-3BAC		7	531	3
		7	567	5
MS16562-3		7	651	4
MS20253P4-270		7	654	2
MS20257XC5-300		7	675	1
MS20427M4		7	753M	2
MS20427M4C		1	282	2
		1	287	1
		12	171	2
		12	191	1
MS20427M5		7	753G	2
MS20427M6C10		1	284	1
		12	179A	1
MS20427M6C11		12	181A	1
MS20427M6C7		1	287L	1
		12	195A	2
MS20427M6C8		1	284R	2
MS20427M6C8		12	183A	2
MS20427M6C9		12	193A	2
MS20615-3M		6	125	7
		6	205	7
		6	235	5
		6	260	5
		6	273	2
		6	283	3
		6	291	4
MS20615-5MP		5	20	6
		7	186	5
		7	538	1
MS21042L3		5	469	2
		7	474	3
MS21140-0611P		7	600A	1
MS21141-0502P		5	530A	3
MS21141-0504P		7	358	2
MS21141-0604P		7	420	7
MS21141-0605P		3	423	8
		11	60	8

71-11-33

 ILLUSTRATED PARTS LIST
 01.1 Page 1022S
 Jul 01/04

PART NUMBER	AIRLINE PART NO.	FIG.	ITEM	TTL REQ
MS21141-0606P		3	428	2
		7	417	19
		11	70	2
MS21141-0612P		7	597	2
MS21209C0820P		1	800	2
		5	503	2
MS21209F4-10P		12	685	2
		3	90	6
		4	210	6
MS21209F8-10		3	365	1
		4	38	1
MS21921-6J		2	115	1
		2	135	2
MS35338-43		3	617	4
MS35650-305S		3	619G	4
MS90353-0603		1	874A	4
		12	757A	4
M13640-048		1	45	4
		1	85	20
		1	85A	4
		1	112	4
		1	112A	2
		1	148	2
		1	184	8
M13640-048		1	217	8
		1	256	8
		9	107	12
		9	130A	14
		13	110	12
NAS1398CW4		13	135	14
		7	762	9
NAS1398CW5-2		1	688	1
		12	573	1
NAS1398CW5-3		1	620	1
		1	686	1
		1	722	1
		7	588	1
		12	513	1
		12	571	1
		12	609	1
NAS1398CW5-4		7	591	1
NAS1398CW6-11		7	81	3
NAS1398CW6-12		7	72	3
NAS1398CW6-13		7	75	4
NAS1398CW6-3		1	618	1
		12	511	1

71-11-33

 ILLUSTRATED PARTS LIST
 01.1 Page 1022T
 Jul 01/04


BOEING
 COMPONENT
 MAINTENANCE MANUAL

PART NUMBER	AIRLINE PART NO.	FIG.	ITEM	TTL REQ
NAS1398CW6-4		7	294	5
		7	327	4
NAS1398CW6-5		3	485	2
		7	51	3
		7	54	3
		7	279	10
		7	321	11
		11	310	2
NAS1398CW6-6		7	30	5
		7	33	13
		7	282	2
		7	324	1
NAS1398CW6-7		7	36	1
NAS1398CW6-8		7	57	13
		7	60	1
		7	285	4
		7	318	5
		7	423	1
NAS1398CW6-9		7	39	2
		7	42	9
		7	276	4
		7	315	4
NAS1398CW8-12		7	198	1
NAS1398CW8-13		7	27	3
NAS1398CW8-14		7	24	1
NAS1398CW8-7		7	288	3
		7	333	3
NAS1398CW8-9		7	291	1
		7	330	1
NAS1399CW6-11		7	84	1
NAS1399CW6-12		7	69	1
NAS1399CW6-13		7	78	4
NAS1399CW6-8		7	63	9
		7	66	1
NAS1399CW6-9		7	45	1
NAS1716C40M		2	45	1
NAS1716C48M		2	40	1
NAS1801-3-12		3	616	4
NAS1805-4N		1	776	2
		12	661	2
NAS42DD6-19		1	652	1
		12	533	1
NAS43DD3-8		3	180	2
		11	170	2
NAS509-4C		7	738	2

71-11-33

 ILLUSTRATED PARTS LIST
 01.1 Page 1022U
 Jul 01/04

PART NUMBER	AIRLINE PART NO.	FIG.	ITEM	TTL REQ
NAS514P1032-12P		1	966A	8
		12	849A	8
NAS514P1032-14P		1	318	8
		12	219	8
NAS514P1032-8P		1	317	16
		1	318A	8
		1	319	8
		1	674	5
		1	926	5
		1	966	8
		12	219A	8
		12	221	8
		12	559	5
		12	809	5
NAS620C10L		1	676	5
		12	561	5
NAS623-3-20		1	540	1
		1	544	1
NAS623-3-21		12	435	1
		12	437	1
		1	538	1
NAS623-3-21		12	433	1
NAS623-3-26		5	180	1
NAS6703-4		7	123	1
		14	10	1
		9	102	12
		13	105	12
NAS6703A5		3	15A	2
		11	10A	2
NAS6703H12		5	200	1

71-11-33

 ILLUSTRATED PARTS LIST
 01.1 Page 1022V
 Jul 01/04


BOEING
 COMPONENT
 MAINTENANCE MANUAL

PART NUMBER	AIRLINE PART NO.	FIG.	ITEM	TTL REQ
NM102701300		2	30	2
NS103190-048		1	362	2
		12	249	2
NS103191SE02-2		1	438	1
		1	446	1
		1	456	1
		1	466	1
		1	476	1
		1	486	1
		3	390	12
		11	290	12
		12	337	1
		12	345	1
		12	355	1
		12	365	1
		12	375	1
		12	385	1
NS103191SE02-3		1	522	12
		12	417	12
NS103193SE02		9	155	4
NS103193SE048		1	404A	54
		12	291A	54
NS103194SE02-2		1	422	1
		1	430	1
		1	448	1
		1	458	1
		1	468	1
		1	478	1
		1	488	1
		12	315	1
		12	323	1
		12	347	1
		12	357	1
		12	367	1
		12	377	1
		12	387	1

71-11-33

ILLUSTRATED PARTS LIST

01.1 Page 1022W

Jul 01/04

PART NUMBER	AIRLINE PART NO.	FIG.	ITEM	TTL REQ
NS103195SE02		7	534	1
NS103197-02		5	525	3
NS103197SE82		5	500	2
		7	612	1
NS103198SE02		2	225	4
		5	280	3
NS103198SE62		6	115	2
NS103199SE048		7	495	6
NS103199SE82		5	380	1
NS103200SE02		7	531	3
		7	567	5
NS103202SE02		1	520	1
		12	415	1
NS103203-02		3	600	32
		4	53	32
NS103203SE02		3	275	2
		5	160	2
		9	150	8
		11	265	2
		13	155	6
NS103218SE02		5	150	14
NS103218SE048		3	615	6
		5	155	11
		11	470	6
NS103218SE82		1	524	11
		5	385	1
		5	440	3
		12	419	11
NS202101-02		1	762	3
		1	930	5
		3	25	2
		3	535	2
		3	619	4
		4	83	4
		5	185	1
		5	210	1
		7	135	1
		7	153	1
		7	468	2
		11	20	2
		12	649	3
		12	813	5
		14	20	1

71-11-33

 ILLUSTRATED PARTS LIST
 01.1 Page 1022X
 Jul 01/04



BOEING
 COMPONENT
 MAINTENANCE MANUAL

PART NUMBER	AIRLINE PART NO.	FIG.	ITEM	TTL REQ		
NS202101-048		3	460	1		
		7	447	1		
NS202101-048		11	105	1		
NS202101-82		7	156	1		
NS202101SE02		14	65	1		
		1	542	1		
		1	547	1		
		1	648	1		
		1	662	2		
		1	672	4		
		1	772	1		
		2	65	1		
		2	85	4		
		12	441	2		
		12	535	1		
		12	547	2		
		12	557	4		
		12	657	1		
NS202101SE82		1	707	2		
NS202101S02		12	593	2		
		1	323	16		
		1	970	8		
		9	135	14		
		12	225	16		
		12	853	8		
		13	140	14		
		NS202101S62		6	105	2
		NS202439-048		7	303	1
		NS202476-048		1	40	2
1	79			10		
1	79A			2		
1	124			4		
1	124A			2		
1	160			2		
1	193			4		
1	226			4		
1	265			4		
7	303A			1		
12	19			4		
12	41			10		
12	41A			2		
12	65			4		
12	65A			2		
12	87			2		
12	109			4		
12	129			4		
12	153	4				

71-11-33

ILLUSTRATED PARTS LIST
 01.1 Page 1022Y
 Jul 01/04

PART NUMBER	AIRLINE PART NO.	FIG.	ITEM	TTL REQ
NS202486-02		9	112	12
		13	115	12
NS202495-048		1	404	54
		12	291	54
PDVC1137300		2	30	2
PLT1001-5-2		5	530	3
P164-2		5	530	3
RMA9201M3		5	525	3
RMA9207-3		3	495	2
		11	320	2
RMF9201-3		3	600	32
		4	53	32
RMF9212-4		1	362	2
		12	249	2
RMLH22-4		7	234	4
		7	648	4
RMLH224		7	234	4
		7	648	4
RMLH9075-3W		1	762	3
		1	930	5
		3	25	2
		3	535	2
		3	619	4
		4	83	4
		5	185	1
		5	210	1
		7	135	1
		7	153	1
		7	468	2
		11	20	2
		12	649	3
		12	813	5
14	20	1		

71-11-33

 ILLUSTRATED PARTS LIST
 01.1 Page 1022Z
 Jul 01/04


BOEING
 COMPONENT
 MAINTENANCE MANUAL

PART NUMBER	AIRLINE PART NO.	FIG.	ITEM	TTL REQ
RMLH9075-4W		3	460	1
		7	447	1
		11	105	1
RMLH9075-82W		7	156	1
		14	65	1
		3	10	2
RR2002-4B6		7	300A	1
RV541A3C		2	155	1
R8918M0150AAN		2	155	1
R89180150AAN		1	678	5
SL705093		12	563	5
SL7059C1032		1	678	5
		12	563	5
		3	10	2
SZ6924-4B6		1	654	1
S258T16		12	539	1
S315T106-3		2	170	1
S315T107-180		6	10	1
S315T107-181		6	15	1
S315T107-182		6	20	1
S315T107-183		6	25	1
S315T107-209		6	28A	1
S315T107-210		6	29A	1
S315T107-221		6	28D	1
S315T107-222		6	29D	1
S315T107-67		7	729	1
S315T110-2		7	246	1
S332T308-1		1	329	2
		1	974	1
		12	229	2
		12	857	1

71-11-33

 ILLUSTRATED PARTS LIST
 01.1 Page 1023
 Jul 01/04

PART NUMBER	AIRLINE PART NO.	FIG.	ITEM	TTL REQ
S332T308-4		1	332	2
		1	976	1
		12	229A	2
		12	857A	1
S369WH6		1	650	1
		12	537	1
S386H16		1	664	1
		12	549	1
S500-6		2	90B	10
TA12C32WS6		1	650	1
		12	537	1
TA12C34S16		1	664	1
		12	549	1
TA4C44S16T		1	654	1
		12	539	1
T6C1032J		1	323	16
		1	970	8
		9	135	14
T6C1032J		12	225	16
		12	853	8
		13	140	14
T6C1032JCD		9	112	12
		13	115	12
T6C1032JM		1	542	1
		1	547	1
		1	648	1
		1	662	2
		1	672	4
		1	772	1
		2	65	1
		2	85	4
		12	441	2
		12	535	1
		12	547	2
		12	557	4
T6C428JM		12	657	1
		2	10	1
		7	270	1
T6C632J		7	393	3
		6	105	2
T6C832JM		1	707	2
		12	593	2

71-11-33

 ILLUSTRATED PARTS LIST
 01.1 Page 1024
 Jul 01/04


BOEING
 COMPONENT
 MAINTENANCE MANUAL

PART NUMBER	AIRLINE PART NO.	FIG.	ITEM	TTL REQ
T6S1032J		1	762	3
		1	930	5
		3	25	2
		3	535	2
		3	619	4
		4	83	4
		5	185	1
		5	210	1
		7	135	1
		7	153	1
		7	468	2
		11	20	2
		12	649	3
		12	813	5
	14	20	1	
T6S428J		3	460	1
		7	447	1
		11	105	1
T6S832J		7	156	1
		14	65	1
T8076S1032		5	525	3
T8080C832		5	500	2
		7	612	1
		2	225	4
T8081C1032		5	280	3
		6	115	2
T8081C632		7	495	6
T8082C428		7	495	6
T8082C832		5	380	1
T8083C1032		7	531	3
		7	567	5
		1	520	1
T8089C1032		12	415	1
		3	600	32
T8091S1032		4	53	32
		3	275	2
T8092C1032		5	160	2
		9	150	8
		11	265	2
		13	155	6

71-11-33

 ILLUSTRATED PARTS LIST
 01.1 Page 1024A
 Jul 01/04

PART NUMBER	AIRLINE PART NO.	FIG.	ITEM	TTL REQ
T8092C428CD		1	40	2
		1	79	10
		1	79A	2
		1	124	4
		1	124A	2
		1	160	2
		1	193	4
		1	226	4
		1	265	4
		7	303A	1
		12	19	4
		12	41	10
		12	41A	2
		12	65	4
		12	65A	2
		12	87	2
		12	109	4
		12	129	4
		12	153	4
	T8109S1032		3	495
		11	320	2
T8113C428C		3	315	2
		4	35	2
T8113C832C		7	615	1
T8119C3		7	534	1
T8125C08C		1	524	11
		5	385	1
T8125C08C		5	440	3
		12	419	11
T8125C3C		5	150	14
T8125C4C		3	615	6
		5	155	11
		11	470	6
US2103-06JL		1	682	1
		12	567	1
US2113-0604J		2	150	1
VAL280094		7	234	4
		7	648	4
VN101A1-02		3	495	2
		11	320	2
VN102D1-02		1	520	1
		12	415	1
VN103D1-02		7	534	1
VN151D1-048		3	315	2
		4	35	2

71-11-33

 ILLUSTRATED PARTS LIST
 01.1 Page 1024B
 Jul 01/04


BOEING
 COMPONENT
 MAINTENANCE MANUAL

PART NUMBER	AIRLINE PART NO.	FIG.	ITEM	TTL REQ
VN151D1-82		7	615	1
VN152A1-02		3	600	32
		4	53	32
VN152D1-02		3	275	2
		5	160	2
		9	150	8
		11	265	2
		13	155	6
VN201D1-02		2	225	4
		5	280	3
VN201D1-62L		6	115	2
VN202A1-02		5	525	3
VN202D1-82		5	500	2
		7	612	1
VN203D1-048		7	495	6
VN203D1-82		5	380	1
VN204D1-02		7	531	3
		7	567	5
VN252D02		5	150	14
VN252D048		3	615	6
		5	155	11
		11	470	6
VN252D82		1	524	11
		5	385	1
		5	440	3
		12	419	11
VN303A02		1	762	3
		1	930	5
		3	25	2
		3	535	2
		3	619	4
		4	83	4
		5	185	1
		5	210	1
		7	135	1
		7	153	1
		7	468	2
		11	20	2
		12	649	3
		12	813	5
		14	20	1
VN303A048		3	460	1
		7	447	1
		11	105	1
VN303A82		7	156	1
		14	65	1

71-11-33

 ILLUSTRATED PARTS LIST
 01.1 Page 1024C
 Jul 01/04

PART NUMBER	AIRLINE PART NO.	FIG.	ITEM	TTL REQ
VN303B02		1	323	16
		1	970	8
		9	135	14
		12	225	16
		12	853	8
		13	140	14
VN303B62		6	105	2
VN303D02		1	542	1
		1	547	1
		1	648	1
		1	662	2
		1	672	4
		1	772	1
		2	65	1
		2	85	4
		12	441	2
		12	535	1
		12	547	2
		12	557	4
		12	657	1
		VN303D048		2
VN303D048		7	270	1
		7	393	3
VN303D82		1	707	2
		12	593	2
WC130-5-4		3	157	2
		11	145	2
025029-06		2	90B	10
101LH9075-3W		1	323	16
		1	970	8
		9	135	14
		12	225	16
		12	853	8
		13	140	14

71-11-33

 ILLUSTRATED PARTS LIST
 01.1 Page 1024D
 Jul 01/04


BOEING
 COMPONENT
 MAINTENANCE MANUAL

PART NUMBER	AIRLINE PART NO.	FIG.	ITEM	TTL REQ
101LH9075-62W		6	105	2
102A9201-4		7	303	1
102A9205-3		7	534	1
102F9201-4		1	40	2
		1	79	10
		1	79A	2
		1	124	4
		1	124A	2
		1	160	2
		1	193	4
		1	226	4
		1	265	4
		7	303A	1
		12	19	4
		12	41	10
		12	41A	2
		12	65	4
		12	65A	2
		12	87	2
		12	109	4
		12	129	4
		12	153	4
102F9207P3		1	500	1
		1	526	1
		4	40A	4
		12	399	1
		12	423	1
102F9207P4		1	36	2
		1	73	10
		1	73A	2
		1	118	4
		1	118A	2
102F9207P4		1	154	2
		1	187	4
		1	220	4
		1	259	4
		12	15	4
		12	37	10
		12	37A	2
		12	61	4
		12	61A	2
		12	83	2
		12	105	4
		12	125	4
		12	149	4

71-11-33

 ILLUSTRATED PARTS LIST
 01.1 Page 1024E
 Jul 01/04

PART NUMBER	AIRLINE PART NO.	FIG.	ITEM	TTL REQ
102LH9075-3W		9	112	12
		13	115	12
104F9213-2-3		1	438	1
		1	446	1
		1	456	1
		1	466	1
		1	476	1
		1	486	1
		3	390	12
		11	290	12
		12	337	1
		12	345	1
		12	355	1
		12	365	1
		12	375	1
		12	385	1
104F9213-3-3		1	522	12
		12	417	12
104F9216-2-3		1	422	1
		1	430	1
		1	448	1
		1	458	1
		1	468	1
		1	478	1
104F9216-2-3		1	488	1
		12	315	1
		12	323	1
		12	347	1
		12	357	1
		12	367	1
		12	377	1
		12	387	1
109A9201-3		1	520	1
		12	415	1
109A9201M82		5	500	2
		7	612	1
109A9205M4		7	495	6
109A9205M82		5	380	1
109A9207M3		2	225	4
		5	280	3
109A9207M62		6	115	2
109A9209M3		7	531	3
		7	567	5

71-11-33

 ILLUSTRATED PARTS LIST
 01.1 Page 1024F
 Jul 01/04


BOEING
 COMPONENT
 MAINTENANCE MANUAL

PART NUMBER	AIRLINE PART NO.	FIG.	ITEM	TTL REQ
109F177-3		7	528	3
		7	564	1
109F177-4		7	492	6
		7	513	3
109F9201-3		3	275	2
		5	160	2
		9	150	8
		11	265	2
		13	155	6
109F9201M3		5	150	14
109F9201M4		3	615	6
		5	155	11
		11	470	6
109F9201M82		1	524	11
		5	385	1
		5	440	3
		12	419	11
109F9207-4		3	315	2
		4	35	2
109F9207-82		7	615	1
109LH9031-3		1	678	5
		12	563	5
109LH90313		1	678	5
		12	563	5
109LH9075-3W		1	542	1
		1	547	1
		1	648	1
		1	662	2
		1	672	4
		1	772	1
		2	65	1
		2	85	4
		12	441	2
		12	535	1
		12	547	2
		12	557	4
		12	657	1
109LH9075-4W		2	10	1
		7	270	1
		7	393	3
109LH9075-82W		1	707	2
		12	593	2
14J29300		2	30	2
2-01027-6H		2	120	1
2-010890604J		2	150	1
2-02813-04JL		1	682	1
		12	567	1

71-11-33

 ILLUSTRATED PARTS LIST
 01.1 Page 1024G
 Jul 01/04

PART NUMBER	AIRLINE PART NO.	FIG.	ITEM	TTL REQ
2-02903-06H		2	110	1
		2	130	2
2-02903-06HP		2	130A	2
2ASPPFDT6-18		1	712	6
		12	599	6
314T1339-2		7	235	1
314T1339-3		7	242	1
		7	517	2
315T1448-10		7	249A	1
315T1448-2		7	375	2
		7	376	1
315T1448-3		7	249	1
315T1448-7		7	376A	1
315T1450-2		7	750	1
315T1451-2		7	753	1
315T1451-3		7	754M	1
315T1451-4		7	754G	1
315T1451-5		7	754	1
315T1452-2		7	744	1
315T3001-100SP,		5	47B	1
315T3001-101SP,		5	42B	1
315T3001-102SP,		5	47B	1
315T3001-103SP,		5	42B	1
315T3001-104SP,		5	47B	1
315T3001-117SP,		5	42B	1
315T3001-118SP,		5	47B	1
315T3001-119SP		5	42B	1
315T3001-120SP		5	47B	1
315T3001-97SP		5	42B	1
315T3001-98SP,		5	47B	1
315T3001-99SP,		5	42B	1
315T3002-101		1	1B	RF
315T3002-102		1	5B	RF
315T3002-103		1	10B	RF
315T3002-104		1	15B	RF
315T3002-105		1	1C	RF
315T3002-106		1	5C	RF
315T3002-107		1	10C	RF
315T3002-108		1	15C	RF
315T3002-117		1	1D	RF
315T3002-118		1	5D	RF
315T3002-119		1	10D	RF
315T3002-120		1	15D	RF
315T3002-121		1	1E	RF
315T3002-122		1	5E	RF
315T3002-123		1	10E	RF

71-11-33

 ILLUSTRATED PARTS LIST
 01.1 Page 1024H
 Jul 01/04


BOEING
 COMPONENT
 MAINTENANCE MANUAL

PART NUMBER	AIRLINE PART NO.	FIG.	ITEM	TTL REQ
315T3002-124		1	15E	RF
315T3002-125		1	1F	RF
315T3002-126		1	5F	RF
315T3002-127		1	10F	RF
315T3002-128		1	15F	RF
315T3002-129		1	1G	RF
315T3002-130		1	5G	RF
315T3002-131		1	10G	RF
315T3002-132		1	15G	RF
315T3002-133		1	1H	RF
315T3002-134		1	5H	RF
315T3002-135		1	10H	RF
315T3002-136		1	15H	RF
315T3002-137		1	282L	1
		12	173	1
315T3002-138		1	282P	1
		12	175	1
315T3002-139		1	288	1
		12	197	1
315T3002-140		1	288J	1
		12	199	1
315T3002-141		1	285M	1
		12	187	1
315T3002-143		1	1J	RF
		12	1A	RF
315T3002-144		1	5J	RF
		12	3	RF
315T3002-145		1	10J	RF
		12	5	RF
315T3002-146		1	15J	RF
		12	7	RF
315T3002-149		1	1K	RF
		12	1B	RF

71-11-33

 ILLUSTRATED PARTS LIST
 01.1 Page 1024I
 Jul 01/04

PART NUMBER	AIRLINE PART NO.	FIG.	ITEM	TTL REQ
315T3002-150		1	5K	RF
		12	3A	RF
315T3002-151		1	10K	RF
		12	5A	RF
315T3002-152		1	15K	RF
		12	7A	RF
315T3002-153		1	1L	RF
		12	1C	RF
315T3002-154		1	5L	RF
		12	3B	RF
315T3002-155		1	10L	RF
		12	5B	RF
315T3002-156		1	15L	RF
		12	7B	RF
315T3002-157		1	1M	RF
		12	1D	RF
315T3002-158		1	5M	RF
		12	3C	RF
315T3002-159		1	10M	RF
		12	5C	RF
315T3002-16		1	792	1
		12	677	1
315T3002-160		1	15M	RF
		12	7C	RF
315T3002-161		1	1N	RF
		12	1E	RF
315T3002-162		1	5N	RF
		12	3D	RF
315T3002-163		1	10N	RF
315T3002-163		12	5D	RF
315T3002-164		1	15N	RF
		12	7D	RF
315T3002-5101		1	20A	1
315T3002-5102		1	22A	1

71-11-33

 ILLUSTRATED PARTS LIST
 01.1 Page 1024J
 Jul 01/04


BOEING
 COMPONENT
 MAINTENANCE MANUAL

PART NUMBER	AIRLINE PART NO.	FIG.	ITEM	TTL REQ
315T3002-5103		1	24A	1
315T3002-5104		1	26A	1
315T3002-5105		1	20B	1
315T3002-5106		1	22B	1
315T3002-5107		1	24B	1
315T3002-5108		1	26B	1
315T3002-5109		1	20	1
315T3002-5110		1	22	1
315T3002-5111		1	24	1
315T3002-5112		1	26	1
315T3002-5113		1	20C	1
315T3002-5114		1	22C	1
315T3002-5115		1	24C	1
315T3002-5116		1	26C	1
315T3002-5118		1	376	1
315T3002-5127		1	20D	1
315T3002-5128		1	22D	1
315T3002-5129		1	24D	1
315T3002-5130		1	26D	1
315T3002-5131		1	20E	1
315T3002-5132		1	22E	1
315T3002-5133		1	24E	1
315T3002-5134		1	26E	1
315T3002-5135		1	20F	1
315T3002-5136		1	22F	1
315T3002-5137		1	24F	1
315T3002-5138		1	26F	1
315T3002-5139		1	20G	1
315T3002-5140		1	22G	1
315T3002-5141		1	24G	1
315T3002-5142		1	26G	1
315T3002-5143		1	20H	1
315T3002-5144		1	22H	1
315T3002-5145		1	24H	1
315T3002-5146		1	26H	1

71-11-33

 ILLUSTRATED PARTS LIST
 01.1 Page 1024K
 Jul 01/04

PART NUMBER	AIRLINE PART NO.	FIG.	ITEM	TTL REQ
315T3002-57		1	1	RF
315T3002-58		1	5	RF
315T3002-59		1	10	RF
315T3002-60		1	15	RF
315T3002-7001		1	378A	1
315T3002-7001		12	275	1
315T3002-7002		1	379	1
		12	277	1
315T3002-7005		12	277A	1
315T3002-89		1	1A	RF
315T3002-90		1	5A	RF
315T3002-91		1	10A	RF
315T3002-92		1	15A	RF
315T3007-12		1	283A	1
		12	177A	1
315T3007-3		1	626	1
		12	519	1
315T3007-4		1	283	1
		12	177	1
315T3008-1		1	718	1
		12	605	1
315T3008-2		1	720	1
		12	607	1
315T3100-59		1	355	1
		12	251	1
315T3100-60		1	356A	1
		12	257	1
315T3100-63		1	357	1
		12	253	1
315T3100-64		1	357L	1
		12	259	1
315T3100-65		1	358	1
		12	255	1
315T3100-66		1	358L	1
		12	261	1
315T3100-77		1	350	1
315T3100-78		1	353	1
315T3100-83		1	350A	1
		12	241	1
315T3100-84		1	353A	1
		12	243	1
315T3100-85		1	350B	1
		12	241A	1
315T3100-86		1	353B	1
		12	243A	1

71-11-33

 ILLUSTRATED PARTS LIST
 01.1 Page 1024L
 Jul 01/04


BOEING
 COMPONENT
 MAINTENANCE MANUAL

PART NUMBER	AIRLINE PART NO.	FIG.	ITEM	TTL REQ
315T3100-87		1	365A	1
		12	256	1
315T3100-88		1	365L	1
		12	256L	1
315T3101-153		1	366A	1
315T3101-153		12	262	1
315T3101-170		1	366L	1
		12	262L	1
315T3114-20		1	347	1
		12	239	1
315T3114-30		1	347A	1
		12	239A	1
315T3120-16		2	165	1
315T3121-1		1	940	1
		12	823	1
315T3121-2		1	950	1
		12	833	1
315T3121-7		1	948	1
		12	831	1
315T3122-1		1	924	1
		12	807	1
315T3122-3		1	936	12
		12	819	12
315T3123-24		1	344	1
		12	237	1
315T3123-37		1	344A	1
		1	984	1
		12	237A	1
315T3124-5		12	865	1
		1	952	1
315T3124-6		12	835	1
		1	295	1
315T3124-7		12	205	1
		1	326	3
		1	972	2
		12	227	3
		12	855	2

71-11-33

 ILLUSTRATED PARTS LIST
 01.1 Page 1024M
 Jul 01/04

PART NUMBER	AIRLINE PART NO.	FIG.	ITEM	TTL REQ
315T3124-8		1	295A	1
		12	205A	1
315T3125-16		9	140	1
315T3125-2		9	195	1
315T3125-3		9	200	1
315T3125-31		9	140B	1
315T3125-51		13	195	1
315T3125-54		13	145A	1
315T3125-65		13	200	1
315T3126-1		1	986	1
		9	1	RF
315T3126-1		12	867	1
315T3126-10		9	25	2
		13	25	2
315T3126-11		9	220	1
315T3126-12		9	225	1
315T3126-15		9	55	2
		13	55	2
315T3126-16		9	60	2
		13	60	2
315T3126-17		9	65	2
		13	65	2
315T3126-18		9	70	2
		13	70	2
315T3126-19		9	75	2
		13	75	2
315T3126-2		9	100	1
315T3126-20		9	30	2
		13	30	2
315T3126-21		9	85	1
		13	85	1
315T3126-22		9	230	2

71-11-33

 ILLUSTRATED PARTS LIST
 01.1 Page 1024N
 Jul 01/04


BOEING
 COMPONENT
 MAINTENANCE MANUAL

PART NUMBER	AIRLINE PART NO.	FIG.	ITEM	TTL REQ
315T3126-25		9	100A	1
315T3126-3		9	35	2
		13	35	2
315T3126-33		9	100B	1
315T3126-4		9	40	2
		13	40	2
315T3126-40		13	100	1
315T3126-41		12	867A	1
		13	1A	RF
315T3126-5		9	45	2
		13	45	2
315T3126-5001		9	3	1
315T3126-6		9	50	2
		13	50	2
315T3126-7		9	15	1
		13	15	1
315T3126-8		9	20	1
		13	20	1
315T3126-9		9	80	1
315T3126-9		13	80	1
315T3127-12		2	190A	1
315T3127-13		2	190B	1
315T3128-11		2	105	1
315T3128-17		1	286	1
		1	377	1
		2	1	RF
		12	189	1
315T3128-25		2	125A	1
315T3129-2		2	160	1
315T3130-10		5	270	3
315T3130-11		2	235	1
315T3130-12		2	215	1

71-11-33

 ILLUSTRATED PARTS LIST
 01.1 Page 10240
 Jul 01/04

PART NUMBER	AIRLINE PART NO.	FIG.	ITEM	TTL REQ
315T3130-2		2	210	1
315T3130-7		2	230	1
315T3130-9		5	285	3
315T3135-1		1	308	4
		1	960	2
		12	213	4
		12	843	2
315T3135-2		1	311	2
		1	962	1
		12	215	2
		12	845	1
315T3135-3		1	314	2
		1	964	1
		12	217	2
		12	847	1
315T3136-1		9	215	1
315T3136-6		13	215A	1
315T3137-1		9	90	1
315T3137-2		9	95	1
315T3137-3		9	90B	1
315T3137-4		9	95B	1
315T3137-5		13	90A	1
315T3137-6		13	95A	1
315T3201-10		3	585	1
		4	40V	1
315T3201-11		3	590	1
315T3201-12		3	560	1
315T3201-13		3	565	1
315T3201-14		3	570	1
315T3201-20		3	590A	1
		4	41	1
315T3201-25		3	565A	1
		4	108	1
		11	425	1
315T3201-26		3	570A	1
		4	113	1
		11	430	1
315T3201-27		3	590B	1
		4	41A	1
315T3201-28		3	510B	1
		4	58	1
315T3201-29		3	515B	1
		4	63	1

71-11-33

 ILLUSTRATED PARTS LIST
 01.1 Page 1024P
 Jul 01/04


BOEING
 COMPONENT
 MAINTENANCE MANUAL

PART NUMBER	AIRLINE PART NO.	FIG.	ITEM	TTL REQ
315T3201-30		3	555B	1
		4	98	1
315T3201-31		3	560B	1
		4	103	1
315T3201-5		3	510	1
315T3201-6		3	515	1
315T3201-7		3	580	5
		4	40S	5
315T3201-8		3	550	1
315T3201-9		3	555	1
315T3202-100		3	505A	1
		11	335	1
315T3202-101		3	509A	1
		11	365	1
315T3202-102		3	509Q	1
		11	370	1
315T3202-104		3	504	1
		11	330	1
315T3202-114		4	35S	1
315T3202-115		1	289A	1
		4	1	RF
		12	201	1
315T3202-116		1	292A	1
		4	5	RF
		12	203	1
315T3202-156		4	40M	2
315T3202-255		4	1A	RF
		12	201A	1
315T3202-256		4	5A	RF
		12	203A	1
315T3202-43		3	240	4
		11	230	4
315T3202-44		3	245	4
		11	235	4

71-11-33

 ILLUSTRATED PARTS LIST
 01.1 Page 1024Q
 Jul 01/04

PART NUMBER	AIRLINE PART NO.	FIG.	ITEM	TTL REQ
315T3202-48		3	505	1
315T3202-5001		3	30	1
315T3202-5002		3	35	1
315T3202-5003		3	30A	1
315T3202-5004		3	35A	1
315T3202-5005		3	30B	1
315T3202-5006		3	35B	1
315T3202-5008		3	35C	1
315T3202-5009		3	30C	1
315T3202-5010		3	35D	1
315T3202-5011		3	30D	1
315T3202-5012		3	35E	1
315T3202-5013		3	30E	1
315T3202-5017		3	30F	1
315T3202-5018		3	35F	1
315T3202-5019		3	30G	1
315T3202-5023		3	30J	1
315T3202-5024		3	35H	1
315T3202-5027		4	10	1
315T3202-5028		4	15	1
315T3202-5029		4	10A	1
315T3202-5030		4	15A	1
315T3202-5033		3	30K	1
315T3202-5034		3	35J	1
315T3202-5035		4	10B	1
315T3202-5036		4	15B	1
315T3202-5037		3	30L	1
315T3202-5038		3	35K	1
315T3202-5044		4	15C	1
315T3202-5051		4	10C	1
315T3202-5052		4	15D	1
315T3202-5053		4	10D	1
315T3202-5054		4	15E	1
315T3202-5071		4	10E	1
315T3202-5072		4	15F	1

71-11-33

 ILLUSTRATED PARTS LIST
 01.1 Page 1024R
 Jul 01/04


BOEING
 COMPONENT
 MAINTENANCE MANUAL

PART NUMBER	AIRLINE PART NO.	FIG.	ITEM	TTL REQ
315T3202-5073		4	10F	1
315T3202-5074		4	15G	1
315T3202-59		3	509	1
315T3202-60		3	509P	1
315T3202-7001		4	268	1
		11	1	RF
315T3202-7002		4	272	1
		11	5	RF
315T3202-7011		4	268A	1
		11	1A	RF
315T3202-7012		4	272A	1
		11	5A	RF
315T3202-73		1	289	1
		3	1	RF
315T3202-74		1	292	1
		3	5	RF
315T3203-1		1	854	1
		12	737	1
315T3203-2		1	856	1
		12	739	1
315T3203-3		1	916	1
		12	799	1
315T3203-4		1	918	1
		12	801	1
315T3204-21		1	806A	1
		1	866A	1
		12	691A	1
		12	749A	1
		15	1A	RF
315T3204-22		1	808A	1
		1	868A	1
		12	693A	1
		12	751A	1
		15	5	RF

71-11-33

 ILLUSTRATED PARTS LIST
 01.1 Page 1024S
 Jul 01/04

PART NUMBER	AIRLINE PART NO.	FIG.	ITEM	TTL REQ
315T3204-5		1	866	1
		12	749	1
315T3204-5001		1	870	1
		12	753	1
315T3204-5002		1	872	1
		12	755	1
315T3204-5003		1	870A	1
		12	753A	1
315T3204-5004		1	872A	1
		12	755A	1
315T3204-5005		1	870B	1
		12	753B	1
315T3204-5006		1	872B	1
		12	755B	1
315T3204-5007		1	870C	1
		12	753C	1
315T3204-5008		1	872C	1
		12	755C	1
315T3204-5009		1	870D	1
		12	753D	1
315T3204-5010		1	872D	1
		12	755D	1
315T3204-6		1	868	1
		12	751	1
315T3204-7		1	806	1
		12	691	1
315T3204-8		1	808	1
		12	693	1
315T3206-15		3	375	1
315T3206-16		3	380	1
315T3206-17		3	395	1
315T3206-18		3	400	1
315T3206-19		3	375A	1
		11	275	1
315T3206-20		3	380A	1
315T3206-21		3	395A	1
		11	295	1
315T3206-22		3	400A	1
315T3206-27		3	395B	1
		11	295A	1
315T3206-28		3	400B	1
		11	300	1
315T3206-29		3	375C	1
		11	275A	1
315T3206-30		3	380C	1
		11	280	1

71-11-33

 ILLUSTRATED PARTS LIST
 01.1 Page 1024T
 Jul 01/04


BOEING
 COMPONENT
 MAINTENANCE MANUAL

PART NUMBER	AIRLINE PART NO.	FIG.	ITEM	TTL REQ
315T3210-10		1	30A	1
315T3210-11		1	94B	5
		1	94C	1
315T3210-12		1	54A	1
315T3210-13		1	57A	1
315T3210-8		1	60A	5
		1	63A	5
		1	66A	1
		1	68A	1
315T3210-9		1	28A	1
315T3212-11		1	139A	1
315T3212-12		1	142A	1
315T3212-13		1	97A	2
		1	103A	1
315T3212-14		1	100A	2
		1	106A	1
315T3212-15		1	172C	1
315T3212-17		1	136F	2
		1	136G	1
315T3212-18		1	136D	2
		1	136E	1
315T3214-10		1	280	1
315T3214-7		1	241	1
		1	250A	1
315T3214-8		1	244A	1
		1	247	1
315T3214-9		1	277	1
315T3216-1		1	850	1
		12	733	1
315T3216-2		1	852	1
		12	735	1

71-11-33

 ILLUSTRATED PARTS LIST
 01.1 Page 1024U
 Jul 01/04

PART NUMBER	AIRLINE PART NO.	FIG.	ITEM	TTL REQ
315T3216-3		1	912	1
		12	795	1
315T3216-4		1	914	1
		12	797	1
315T3216-7		1	912A	1
		12	795A	1
315T3216-8		1	914A	1
		12	797A	1
315T3220-1		1	822	6
		1	884	6
		12	705	6
		12	767	6
		15	30	6
315T3222-10		1	877	1
		12	760	1
315T3222-2		1	814	1
		12	697	1
315T3222-3		1	862	1
		12	747	1
315T3222-4		1	876	1
		12	759	1
315T3222-5		1	876A	1
		12	759A	1
315T3222-9		15	15	1
315T3223-5		15	160	1
315T3224-10		15	155	1
315T3224-9		15	150	1
315T3239-17		9	185A	1
315T3239-18		9	190A	1
315T3239-4		13	190	1
315T3239-5		13	185	1
315T3239-7		9	185	1
315T3239-8		9	190	1
315T3240-1		1	920	1
		8	1	RF
		12	803	1

71-11-33

 ILLUSTRATED PARTS LIST
 01.1 Page 1024V
 Jul 01/04


BOEING
 COMPONENT
 MAINTENANCE MANUAL

PART NUMBER	AIRLINE PART NO.	FIG.	ITEM	TTL REQ
315T3240-16		8	57	2
315T3240-2		1	922	1
		8	5	RF
		12	805	1
315T3240-3		8	60	1
315T3240-4		8	50	1
315T3240-5		8	20	1
315T3240-5001		8	10	1
315T3240-5002		8	15	1
315T3240-5005		8	10A	1
315T3240-5006		8	15A	1
315T3240-5007		8	10B	1
315T3240-5008		8	15B	1
315T3240-6		8	55	1
315T3240-7		8	40	1
315T3240-8		8	50A	1
315T3241-1		8	80	1
315T3241-11		8	180	1
315T3241-12		8	185	1
315T3241-13		8	35	1
315T3241-14		8	45	1
315T3241-15		8	30	1
315T3241-16		8	25	1
315T3241-17		8	65	1
315T3241-18		8	70	1
315T3241-19		8	165	1
315T3241-2		8	85	1
315T3241-20		8	100	1
315T3241-21		8	110	1
315T3241-22		8	115	1
315T3241-26		8	105	1
		8	190	1
315T3241-27		8	195	1
315T3241-28		8	200	1
315T3241-29		8	205	1

71-11-33

 ILLUSTRATED PARTS LIST
 01.1 Page 1024W
 Jul 01/04

PART NUMBER	AIRLINE PART NO.	FIG.	ITEM	TTL REQ
315T3241-3		8	90	1
315T3241-30		8	210	1
315T3241-31		8	175	1
315T3241-32		8	170	1
315T3241-33		8	120	1
315T3241-34		8	125	1
315T3241-35		8	155	1
315T3241-36		8	160	1
315T3241-37		8	140	1
315T3241-38		8	145	1
315T3241-39		8	150	1
315T3241-4		8	95	1
315T3241-41		8	120A	1
315T3241-42		8	125A	1
315T3241-43		8	155A	1
315T3241-44		8	160A	1
315T3241-45		8	140A	1
315T3241-46		8	145A	1
315T3241-47		8	150A	1
315T3245-1		3	355	1
		4	36	1
315T3245-2		3	370	1
		4	38G	1
315T3256-3		1	788	1
		12	673	1
315T3256-4		1	790	1
		12	675	1
315T3257-1		5	175A	1
		7	138A	1
		14	45	1
315T3257-2		5	190	1
315T3257-2		7	141	1
		14	50	1
315T3259-10		1	205C	2
315T3259-7		1	175	2
315T3259-8		1	178A	2
315T3259-9		1	205	2
315T3262-4		1	208	2
		1	211A	2
315T3262-5		1	238	2
315T3300-1		1	367	1
315T3300-11		5	120	1
315T3300-12		5	345A	1
315T3300-13		5	350A	1

71-11-33

 ILLUSTRATED PARTS LIST
 01.1 Page 1024X
 Jul 01/04


BOEING
 COMPONENT
 MAINTENANCE MANUAL

PART NUMBER	AIRLINE PART NO.	FIG.	ITEM	TTL REQ
315T3300-2		1	369C	1
315T3300-23		1	367A	1
315T3300-24		1	369D	1
315T3300-25		1	367B	1
		5	10J	RF
		12	263	1
315T3300-26		1	369E	1
		5	15J	RF
		12	265	1
315T3300-27		1	367C	1
		5	10K	RF
		12	263A	1
315T3300-28		1	369F	1
		5	15K	RF
		12	265A	1
315T3300-29		1	367D	1
		5	10L	RF
		12	263B	1
315T3300-30		1	369G	1
		5	15L	RF
		12	265B	1
315T3300-31		1	367E	1
		5	10M	RF
		12	263C	1
315T3300-32		1	369H	1
		5	15M	RF
		12	265C	1
315T3300-5		5	110	1
315T3300-5001		1	368A	1
		5	10	RF
315T3300-5002		1	370C	1
		5	15	RF
315T3300-5003		1	368B	1
		5	10A	RF
315T3300-5004		1	370D	1
		5	15A	RF

71-11-33

 ILLUSTRATED PARTS LIST
 01.1 Page 1024Y
 Jul 01/04

PART NUMBER	AIRLINE PART NO.	FIG.	ITEM	TTL REQ
315T3300-5005		1	368C	1
		5	10B	RF
315T3300-5006		1	370E	1
		5	15B	RF
315T3300-5009		1	368D	1
		5	10C	RF
315T3300-5010		1	370F	1
		5	15C	RF
315T3300-5019		1	368E	1
		5	10D	RF
315T3300-5020		1	370G	1
		5	15D	RF
315T3300-5023		1	368F	1
		5	10F	RF
315T3300-5024		1	370H	1
		5	15F	RF
315T3300-5025		1	368P	1
		5	10G	RF
315T3300-5026		1	370P	1
		5	15G	RF
315T3300-6		5	105	1
315T3301-125		5	235B	1
315T3301-126		5	240B	1
315T3301-45		5	250	1
315T3301-60		5	255	1
315T3301-65		5	235A	1
315T3301-66		5	240	1
315T3301-69		5	235	1
315T3301-70		5	240A	1
315T3302-1		5	165	1
315T3302-10		5	170B	1
315T3302-11		5	225B	1
315T3302-12		5	230B	1

71-11-33

 ILLUSTRATED PARTS LIST
 01.1 Page 1024Z
 Jul 01/04


BOEING
 COMPONENT
 MAINTENANCE MANUAL

PART NUMBER	AIRLINE PART NO.	FIG.	ITEM	TTL REQ
315T3302-2		5	170	1
315T3302-3		5	225	1
315T3302-4		5	230	1
315T3302-5		5	165A	1
315T3302-6		5	170A	1
315T3302-7		5	225A	1
315T3302-8		5	230A	1
315T3302-9		5	165B	1
315T3303-10		5	45	1
315T3303-11		5	60	1
315T3303-12		5	65	1
315T3303-13		5	42	1
315T3303-14		5	47	1
315T3303-15		5	62	1
315T3303-16		5	67	1
315T3303-17		5	42A	1
315T3303-18		5	47A	1
315T3303-19		5	62A	1
315T3303-20		5	67A	1
315T3303-21		5	42D	1
315T3303-22		5	47D	1
315T3303-23		5	42B	1
315T3303-24		5	47B	1
315T3303-9		5	40	1
315T3305-107		1	406	1
		12	293	1
315T3305-108		1	408	1
		12	295	1
315T3305-115		1	424	1
		12	317	1
315T3305-116		1	426	1
		12	319	1

71-11-33

 ILLUSTRATED PARTS LIST
 01.1 Page 1025
 Jul 01/04

PART NUMBER	AIRLINE PART NO.	FIG.	ITEM	TTL REQ
315T3305-125		1	416	1
		12	309	1
315T3305-126		1	418	1
		12	311	1
315T3305-5001		1	410	1
		12	297	1
315T3305-5002		1	412	1
		12	299	1
315T3305-5003		1	410A	1
		12	297A	1
315T3305-5004		1	412A	1
		12	299A	1
315T3305-5005		1	410B	1
		12	297B	1
315T3305-5006		1	412B	1
		12	299B	1
315T3305-5007		1	410C	1
		12	297C	1
315T3305-5008		1	412C	1
315T3305-5008		12	299C	1
315T3305-59		1	480	1
		12	379	1
315T3305-60		1	482	1
		12	381	1
315T3305-63		1	470	1
		12	369	1
315T3305-64		1	472	1
		12	371	1
315T3305-67		1	460	1
		12	359	1
315T3305-68		1	462A	1
		12	361	1
315T3305-71		1	450	1
		12	349	1
315T3305-72		1	452	1
		12	351	1
315T3305-75		1	440	1
		12	339	1
315T3305-76		1	442	1
		12	341	1
315T3305-79		1	432	1
		12	331	1

71-11-33

 ILLUSTRATED PARTS LIST
 01.1 Page 1026
 Jul 01/04


BOEING
 COMPONENT
 MAINTENANCE MANUAL

PART NUMBER	AIRLINE PART NO.	FIG.	ITEM	TTL REQ
315T3305-80		1	434	1
		12	333	1
315T3307-23		1	490	1
		12	389	1
315T3307-24		1	492	1
		12	391	1
315T3307-25		1	504	1
		12	403	1
315T3307-26		1	506	1
		12	405	1
315T3307-38		1	514	1
		12	425	1
315T3307-43		1	504A	1
		12	403A	1
315T3307-44		1	506A	1
		12	405A	1
315T3307-49		1	504B	1
		12	403B	1
315T3307-50		1	506B	1
		12	405B	1
315T3307-5001		1	494	1
		12	393	1
315T3307-5002		1	496	1
		12	395	1
315T3307-5003		1	494A	1
		12	393A	1
315T3307-5004		1	496A	1
		12	395A	1
315T3307-5005		1	494B	1
		12	393B	1
315T3307-5006		1	496B	1
		12	395B	1
315T3308-23		5	390A	1
315T3308-24		5	395A	1
315T3308-25		5	355	1

71-11-33

 ILLUSTRATED PARTS LIST
 01.1 Page 1026A
 Jul 01/04

PART NUMBER	AIRLINE PART NO.	FIG.	ITEM	TTL REQ
315T3308-26		5	360	1
315T3308-27		5	390	1
315T3308-28		5	395	1
315T3308-29		5	400	1
315T3308-31		5	405	1
315T3308-32		5	405A	1
315T3308-33		5	355A	1
315T3308-34		5	360A	1
315T3308-35		5	400A	1
315T3309-1		5	485	1
315T3309-2		5	490	1
315T3309-3		5	505	1
315T3309-4		5	510	1
315T3310-5		5	425	1
315T3310-6		5	430	1
315T3310-7		5	445	1
315T3310-8		5	450	1
315T3314-10		3	475	1
315T3314-7		3	405	1
315T3314-8		3	410	1
315T3314-9		3	470	1
315T3315-1		3	465	2
315T3317-1		5	175	1
		7	138	1
		14	25	1
315T3318-105		6	295	1
315T3318-106		6	300	1
315T3318-107		6	305	1
315T3318-108		6	310	1
315T3318-113		6	187	1
315T3318-114		6	190	1
315T3318-133		1	371B	1
315T3318-133		12	267A	1
315T3318-134		1	372A	1
		12	271A	1

71-11-33

 ILLUSTRATED PARTS LIST
 01.1 Page 1026B
 Jul 01/04


BOEING
 COMPONENT
 MAINTENANCE MANUAL

PART NUMBER	AIRLINE PART NO.	FIG.	ITEM	TTL REQ
315T3318-135		6	165	1
315T3318-136		6	170	1
315T3318-139		6	285	1
315T3318-140		6	290A	1
315T3318-141		6	275	1
315T3318-142		6	280	1
315T3318-143		6	180	1
		6	192	1
315T3318-144		6	185	1
		6	192N	1
315T3318-145		6	265	1
315T3318-146		6	270	1
315T3318-147		6	250	1
315T3318-148		6	255	1
315T3318-149		6	240	1
315T3318-150		6	245	1
315T3318-151		6	215	1
315T3318-152		6	220	1
315T3318-153		6	225	1
315T3318-154		6	230	1
315T3318-157		6	210	1
315T3318-163		6	195	1
315T3318-164		6	200	1
315T3318-169		6	195B	1
315T3318-170		6	200A	1
315T3318-171		6	305A	1
315T3318-172		6	310A	1
315T3318-179		6	27	1
315T3318-183		6	195D	1
315T3318-185		6	195C	1
315T3318-186		6	200B	1
315T3318-207		1	371A	1
		6	1D	RF
		12	267	1
315T3318-208		1	372	1
		6	5B	RF
		12	271	1

71-11-33

 ILLUSTRATED PARTS LIST
 01.1 Page 1026C
 Jul 01/04

PART NUMBER	AIRLINE PART NO.	FIG.	ITEM	TTL REQ
315T3318-211		6	305B	1
315T3318-212		6	310B	1
315T3318-213		6	292	1
315T3318-214		6	293	1
315T3318-224		6	200D	1
315T3318-225		6	195G	1
315T3318-227		6	193	1
315T3318-228		6	193N	1
315T3318-5007		1	371Q	1
		6	1	RF
		12	269	1
315T3318-5008		1	372Q	1
		6	5	RF
		12	273	1
315T3318-5009		1	371R	1
		6	1A	RF
		12	269A	1
315T3318-5010		1	372R	1
		6	5A	RF
		12	273A	1
315T3318-5011		1	371S	1
		6	1B	RF
		12	269B	1
315T3318-5013		1	371T	1
		6	1C	RF
		12	269C	1
315T3318-5014		1	372S	1
		6	5C	RF
		12	273B	1
315T3318-5015		1	371U	1
		6	1E	RF
		12	269D	1
315T3319-13		6	150	1
315T3319-20		6	80	1
315T3319-25		6	30	1
315T3319-26		6	35	1
315T3319-31		6	60	1
315T3319-32		6	75	1
315T3319-41		6	145	1
315T3319-42		6	130	1
315T3319-43		6	135	1
315T3319-44		6	140	1
315T3319-47		6	85	1
315T3319-48		6	90	1

71-11-33

 ILLUSTRATED PARTS LIST
 01.1 Page 1026D
 Jul 01/04


BOEING
 COMPONENT
 MAINTENANCE MANUAL

PART NUMBER	AIRLINE PART NO.	FIG.	ITEM	TTL REQ
315T3319-49		6	155	1
315T3319-50		6	160	1
315T3319-51		6	85C	1
315T3319-52		6	145A	1
315T3319-53		6	60A	1
315T3319-6		6	45	1
315T3319-63		6	85E	1
315T3319-64		6	90B	1
315T3319-65		6	155B	1
315T3319-66		6	160B	1
315T3319-67		6	85F	1
315T3319-68		6	90C	1
315T3319-69		6	135A	1
315T3319-7		6	50	1
315T3319-8		6	55	1
315T3400-130		7	543	3
315T3400-137		7	603	1
315T3400-147		7	213	1
315T3400-149		7	207	1
315T3400-150		7	210	1
315T3400-209		1	281	1
		7	1	RF
315T3400-210		1	766	1
		7	5	RF
		12	651	1
315T3400-244		7	576A	1
315T3400-263		7	552	1
315T3400-273		1	281A	1
		7	1A	RF
		12	169	1
315T3400-275		7	552A	1
315T3400-276		7	547	1
315T3400-5012		7	15	1
315T3400-5013		7	10	1
315T3400-5023		7	15A	1
315T3400-5031		7	10B	1
315T3400-5032		7	15C	1
315T3400-5034		7	10C	1
315T3400-5036		7	15D	1
315T3400-5038		7	15E	1
315T3400-5039		7	10D	1
315T3400-5040		7	15F	1
315T3400-5042		7	15G	1
315T3400-5047		7	15H	1
315T3400-62		7	606	1

71-11-33

ILLUSTRATED PARTS LIST

01.1 Page 1026E

Jul 01/04

PART NUMBER	AIRLINE PART NO.	FIG.	ITEM	TTL REQ
315T3400-67		7	558	1
315T3401-39		7	765	1
315T3401-77		7	756	1
315T3401-78		7	759	1
315T3401-79		7	768	1
315T3401-80		7	771	1
315T3402-1		7	21	1
315T3402-12		7	21A	1
		14	1A	RF
315T3402-13		14	5	1
315T3402-14		14	30	1
315T3402-3		7	165	1
		14	75	1
315T3402-5		7	18	1
315T3402-6		7	162	1
315T3403-10		7	633A	3
315T3403-8		7	624	3
315T3403-9		7	633	3
315T3406-3		5	30	1
315T3406-4		5	35	1
		7	195	1
315T3406-5		7	192	1
315T3409-1		1	796	1
		12	681	1
315T3409-10		1	804A	1
		12	689A	1
315T3409-2		1	798	1
		12	683	1
315T3409-3		1	802	1
		12	687	1
315T3409-4		1	804	1
		12	689	1

71-11-33

 ILLUSTRATED PARTS LIST
 01.1 Page 1026F
 Jul 01/04


BOEING
 COMPONENT
 MAINTENANCE MANUAL

PART NUMBER	AIRLINE PART NO.	FIG.	ITEM	TTL REQ
315T3409-7		1	796A	1
		12	681A	1
315T3409-8		1	798A	1
		12	683A	1
315T3409-9		1	802A	1
		12	687A	1
315T3411-1		7	522	1
315T3411-2		7	555	1
315T3412-13		7	273	1
315T3412-14		7	306	1
315T3413-10		7	360B	1
315T3413-11		7	359	1
315T3413-13		7	312	1
315T3413-14		7	360	1
315T3413-19		7	312A	1
315T3413-25		7	312B	1
315T3414-1		7	630	6
315T3415-16		14	70	1
315T3415-23		5	220C	1
315T3415-24		5	215C	1
315T3415-6		7	159C	1
315T3415-7		7	159A	1
315T3415-8		5	215	1
315T3415-9		5	220	1
315T3416-11		7	672	1
		7	675A	1
315T3416-18		7	681	2
315T3416-24		7	723	1
315T3416-25		7	720	1
315T3416-26		7	726	1
315T3416-28		7	732	1

71-11-33

 ILLUSTRATED PARTS LIST
 01.1 Page 1026G
 Jul 01/04

PART NUMBER	AIRLINE PART NO.	FIG.	ITEM	TTL REQ
315T3416-32		7	636	1
315T3416-33		7	705	1
315T3416-35		7	708A	1
315T3416-37		7	696A	1
315T3416-38		7	636A	1
315T3416-6		7	678	2
315T3416-9		7	708	1
315T3417-3		7	501	3
315T3417-4		7	516	3
315T3422-15		7	396	1
315T3422-16		7	498	1
315T3422-21		7	396A	1
315T3423-1		7	225	1
315T3424-1		7	243	3
315T3537-1		5	135	1
315T3537-2		5	140	1
315T3554-2		1	364	1
		12	250L	1
315T3569-3		7	660	1
315T3569-4		7	657	1
315T3577-1		7	747	1
315T3578-1		7	735	1
315T3633-112		3	160	1
		11	150	1
315T3633-113		3	205	1
		11	195	1
315T3633-114		3	210	1
		11	200	1
315T3633-138		3	290	1
315T3633-138		4	25	1
315T3633-139		3	285	1
		4	20	1
315T3633-149		3	285A	1
		4	20A	1
315T3633-150		3	290A	1
		4	25A	1
315T3633-98		3	265	1
		11	255	1

71-11-33

 ILLUSTRATED PARTS LIST
 01.1 Page 1026H
 Jul 01/04


BOEING
 COMPONENT
 MAINTENANCE MANUAL

PART NUMBER	AIRLINE PART NO.	FIG.	ITEM	TTL REQ
315T3633-99		3	280	1
		11	270	1
315T3634-1		3	45	2
		3	48	1
		4	155	2
		4	160	1
315T3634-10		3	44	1
		4	145	1
315T3634-11		3	49	1
		4	165	1
315T3634-12		3	103	1
		4	225	1
315T3634-13		3	108	1
		4	245	1
315T3634-15		4	155A	2
		4	160A	1
315T3634-16		4	140A	2
		4	150A	1
315T3634-17		4	165A	1
315T3634-18		4	145A	1
315T3634-19		4	235A	2
		4	240A	1
315T3634-2		3	40	2
		3	43	1
		4	140	2
		4	150	1
315T3634-20		4	220A	2
		4	230A	1
315T3634-21		4	245A	1
315T3634-22		4	225A	1
315T3634-3		3	105	2
		3	107	1
		4	235	2
		4	240	1
315T3634-4		3	100	2
		3	102	1
315T3634-4		4	220	2
		4	230	1
315T3637-1		4	73	4
315T3656-14		3	335	1
315T3656-15		3	330	1
315T3664-1		1	858	1
		12	741	1
315T3664-2		1	860	1
		12	743	1

71-11-33

 ILLUSTRATED PARTS LIST
 01.1 Page 1026I
 Jul 01/04

PART NUMBER	AIRLINE PART NO.	FIG.	ITEM	TTL REQ
315T3665-10		7	540A	1
315T3704-1		3	480	1
		11	305	1
315T3704-2		3	500	1
		11	325	1
315T3708-2		7	354	1
315T3708-4		7	357	1
315T3730-2		3	130	1
		11	115	1
315T3730-3		3	195	1
		11	185	1
315T3730-4		3	200	1
		11	190	1
315T3730-7		3	125	1
		11	110	1
315T4203-10		15	110A	1
315T4203-7		15	105	1
315T4203-8		15	110	1
315T4203-9		15	105A	1
315T4210-1		1	28	1
		12	9	1
315T4210-10		1	39	2
		1	76	10
		1	76A	2
		1	121	4
		1	121A	2
		1	157	2
		1	190	4
		1	223	4
		1	262	4
		12	17	4
		12	39	10
		12	39A	2
		12	63	4

71-11-33

 ILLUSTRATED PARTS LIST
 01.1 Page 1026J
 Jul 01/04


BOEING
 COMPONENT
 MAINTENANCE MANUAL

PART NUMBER	AIRLINE PART NO.	FIG.	ITEM	TTL REQ
315T4210-10		12	63A	2
		12	85	2
		12	107	4
		12	127	4
		12	151	4
315T4210-11		1	51B	1
		1	91F	5
		1	91H	1
		1	133F	2
		1	169B	1
		12	29A	1
		12	49A	5
		12	49C	1
		12	75A	2
		12	75C	1
		12	97A	1
		315T4210-2		1
315T4210-3		12	11	1
		1	60	5
		1	63	5
		1	66	1
		1	68	1
		1	97C	2
		1	100C	2
		1	103C	1
		1	106C	1
		12	31	5
315T4210-5		12	33	1
		1	54	1
315T4210-6		12	23	1
		1	57	1
315T4210-7		12	25	1
		1	94	5
		1	94A	1
		1	136H	2
		1	136J	1
		12	45	5
		12	45A	1

71-11-33

ILLUSTRATED PARTS LIST

01.1 Page 1026K

Jul 01/04

PART NUMBER	AIRLINE PART NO.	FIG.	ITEM	TTL REQ
315T4210-9		1	42	2
315T4210-9		1	82	10
		1	82A	2
		1	127	4
		1	127A	2
		1	163	2
		1	196	4
		1	229	4
		1	268	4
		12	21	4
		12	43	10
		12	43A	2
		12	67	4
		12	67A	2
		12	89	2
		12	111	4
		12	131	4
		12	155	4
315T4212-1		1	139	1
		12	77	1
315T4212-2		1	142	1
		12	79	1
315T4212-3		1	60C	5
		1	63C	5
		1	66C	1
		1	68C	1
		1	97	2
		1	103	1
		12	51	2
		12	55	1
315T4212-4		1	60D	5
		1	63D	5
		1	66D	1
		1	68D	1
		1	100	2
		1	106	1
		12	53	1
		12	57	2

71-11-33

 ILLUSTRATED PARTS LIST
 01.1 Page 1026L
 Jul 01/04


BOEING
 COMPONENT
 MAINTENANCE MANUAL

PART NUMBER	AIRLINE PART NO.	FIG.	ITEM	TTL REQ
315T4212-5		1	172	1
		12	91	1
315T4212-6		1	172A	1
		12	93	1
315T4212-7		1	94D	5
		1	94E	1
		1	136	2
		1	136A	1
		12	69	2
315T4212-8		12	69A	1
		1	94F	5
		1	94G	1
		1	136B	2
		1	136C	1
		12	71	1
315T4214-1		12	71A	2
		1	241C	1
		1	250	1
315T4214-2		12	139	1
		1	244B	1
		1	247A	1
315T4214-3		12	141	1
		1	241A	1
		1	250B	1
315T4214-4		12	145	1
		1	244	1
		1	247C	1
315T4214-5		12	143	1
		1	280B	1
		12	157	1
315T4214-6		1	280A	1
		12	159	1
315T4214-7		1	277A	1
		12	163	1

71-11-33

 ILLUSTRATED PARTS LIST
 01.1 Page 1026M
 Jul 01/04

PART NUMBER	AIRLINE PART NO.	FIG.	ITEM	TTL REQ
315T4214-8		1	277B	1
		12	161	1
315T4216-5		15	80	1
315T4216-6		15	85	1
315T4259-1		1	175A	2
		12	99	2
315T4259-10		12	101A	2
315T4259-11		12	113A	2
315T4259-12		12	115A	2
315T4259-2		1	178	2
		12	101	2
315T4259-3		1	205A	2
		12	113	2
315T4259-4		1	205B	2
		12	115	2
315T4259-7		1	175C	2
315T4259-8		1	178C	2
315T4259-9		12	99A	2
315T4262-1		1	208A	2
		1	211	2
		12	121	2
315T4262-2		1	238A	2
		12	133	2
315T4400-91		7	552B	1
315T4400-92		7	550	1
315U4309-10		5	492	1
315U4309-12		5	512	1
315U4309-17		5	487A	1
315U4309-18		5	507A	1
315U4309-23		5	487B	1
315U4309-24		5	507B	1
315U4309-25		5	512B	1
315U4309-26		5	492B	1
315U4309-27		5	512C	1
315U4309-28		5	492C	1
31875-6H		2	120	1
332T3071-22		1	684	1
		12	569	1
332T3074-1		1	642	1
		12	527	1
35056V06		2	120	1

71-11-33

 ILLUSTRATED PARTS LIST
 01.1 Page 1026N
 Jul 01/04


BOEING
 COMPONENT
 MAINTENANCE MANUAL

PART NUMBER	AIRLINE PART NO.	FIG.	ITEM	TTL REQ
35235VN06		2	130A	2
35235V06		2	110	1
		2	130	2
43710E02		7	528	3
		7	564	1
43710E048		7	492	6
		7	513	3
4385AF300		2	30	2
44LC17H6PB		2	90B	10
4671097H6		2	120	1
4690009-06JL		1	682	1
		12	567	1
475CS16		1	654	1
		12	539	1
490-06RPB		2	90B	10
509S6		1	650	1
		12	537	1
512S16		1	664	1
		12	549	1
5830205-101		2	170	1
60B89012-501		9	115	1
60B89012-502		9	120	1
60B89012-504		9	115C	1
		13	120	1
60B89012-505		9	120C	1
		13	125	1
60B90602-1		1	680	1
		1	932	1
		12	565	1
		12	815	1
62547-5-5		7	147	1
		14	55	1
66014-5		1	614	49
		1	706	30
		3	508	180
		5	265	6
		7	351	2
		7	480	9
		7	507	12
		7	642	4
		7	714	4
		8	135	1
		9	170	18
		11	360	180
		12	507	49
		12	591	30
		13	175	20

71-11-33

 ILLUSTRATED PARTS LIST
 01.1 Page 10260
 Jul 01/04

PART NUMBER	AIRLINE PART NO.	FIG.	ITEM	TTL REQ
66014-6		1	363L	6
		1	554	3
		1	572	16
		1	710	2
		1	736	31
		1	782	6
		1	820	138
		1	836	9
		1	882	138
		1	898	9
		2	20	1
		2	205	3
		3	85A	12
		3	220	2
		3	300	4
		3	430	17
		4	35P	3
		4	38V	6
		4	205	12
		5	340	4
		5	420	8
		7	102	26
		7	204	2
		7	465	11
		7	585	2
		7	621	3
		11	30	4
		11	75	17
		11	210	2
		12	250	6
		12	465	19
		12	597	2
		12	623	31
	12	667	6	
	12	703	138	
	12	719	9	
	12	765	138	
	12	781	9	
	15	25	72	
	15	55	5	
	15	145	166	

71-11-33

 ILLUSTRATED PARTS LIST
 01.1 Page 1026P
 Jul 01/04


BOEING
 COMPONENT
 MAINTENANCE MANUAL

PART NUMBER	AIRLINE PART NO.	FIG.	ITEM	TTL REQ
66014-8		1	530	6
		1	786	2
		3	60	12
66014-8		3	445	2
		4	180	12
		5	315	4
		7	93	11
		7	441	12
		11	90	2
		12	429	6
66015-6		12	671	2
		1	938	12
67067-5A4		12	821	12
		3	157	2
67832AS1032		11	145	2
		1	678	5
67832AS3		12	563	5
		1	678	5
678324		12	563	5
		7	234	4
69B97503-1		7	648	4
		1	51	1
		1	91	5
		1	91A	1
		1	91G	5
		1	91J	1
		1	133	2
		1	133A	1
		1	133G	2
		1	169	1
		1	202	2
		1	235	2
		1	274	2
		12	29	1
		12	49	5
		12	49B	1
		12	75	2
12	75B	1		
12	97	1		
12	119	2		
12	137	2		
12	167	2		
701-4B6		3	10	2
8084C16T		1	654	1
		12	539	1
8425-180		6	10	1
8425-181		6	15	1

71-11-33

 ILLUSTRATED PARTS LIST
 01.1 Page 1026Q
 Jul 01/04

PART NUMBER	AIRLINE PART NO.	FIG.	ITEM	TTL REQ
8425-182		6	20	1
8425-183		6	25	1
8425-209		6	28A	1
8425-210		6	29A	1
8425-221		6	28D	1
8425-222		6	29D	1
8425-67		7	729	1
88B10201-504		9	115C	1
		13	120	1
9NS202101SE048		2	10	1
		7	270	1
		7	393	3
9425-2		7	246	1
95850M0150AAN		2	155	1
96-02		1	762	3
		1	930	5
		3	25	2
		3	535	2
		3	619	4
		4	83	4
		5	185	1
		5	210	1
		7	135	1
		7	153	1
		7	468	2
		11	20	2
		12	649	3
		12	813	5
		14	20	1
96-048		3	460	1
		7	447	1
		11	105	1
96-82		7	156	1
		14	65	1
96D10458-504		9	115C	1
		13	120	1
97-02		1	323	16
		1	970	8
		9	135	14

71-11-33

 ILLUSTRATED PARTS LIST
 01.1 Page 1026R
 Jul 01/04


BOEING
 COMPONENT
 MAINTENANCE MANUAL

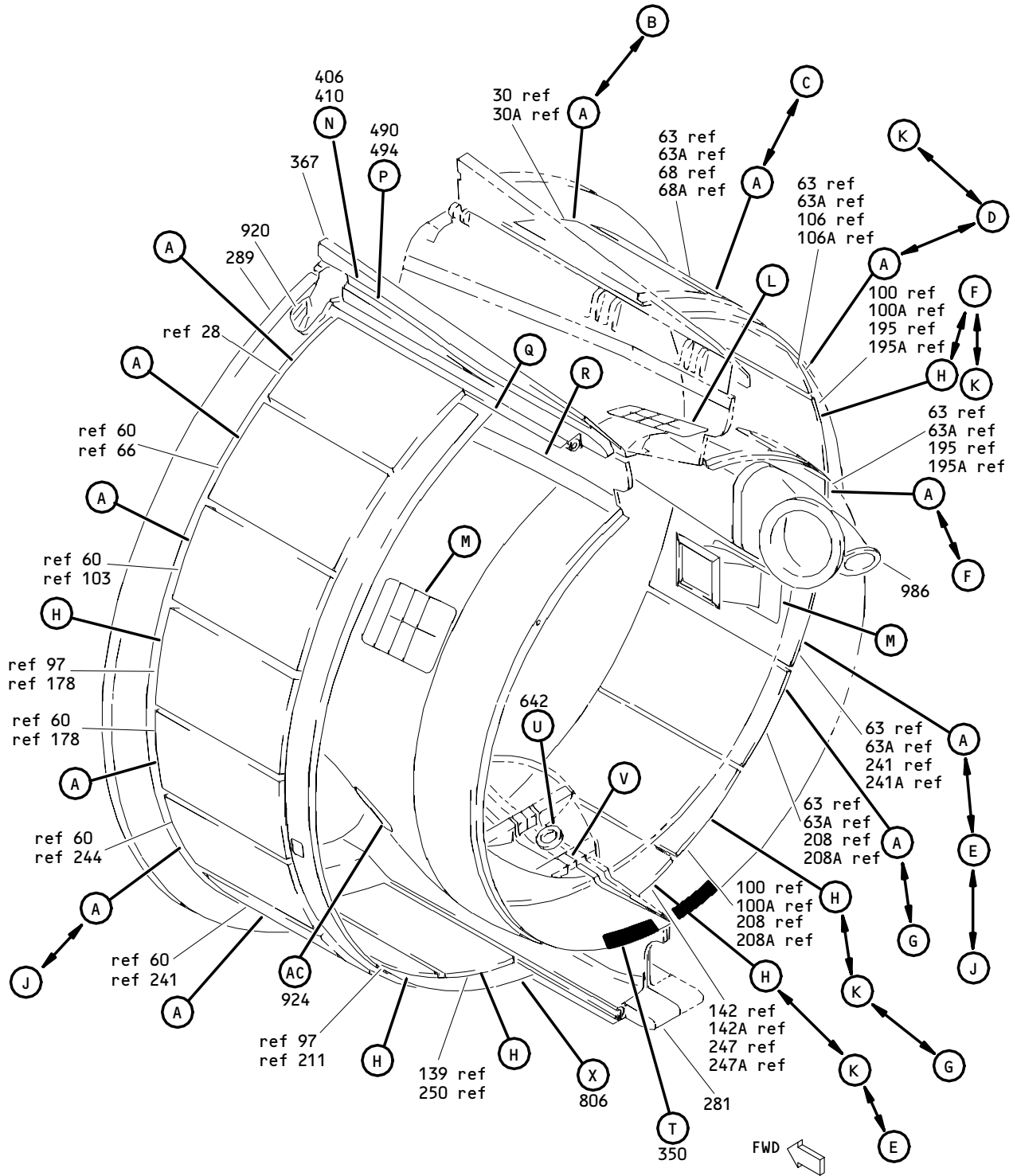
PART NUMBER	AIRLINE PART NO.	FIG.	ITEM	TTL REQ
97-02		12	225	16
		12	853	8
		13	140	14
97-62 97E02		6	105	2
		1	542	1
		1	547	1
		1	648	1
		1	662	2
		1	672	4
		1	772	1
		2	65	1
		2	85	4
		12	441	2
		12	535	1
		12	547	2
		12	557	4
		12	657	1
		97E48		2
7	270			1
7	393			3
97E82		1	707	2
		12	593	2

71-11-33

ILLUSTRATED PARTS LIST

01.1 Page 1026S

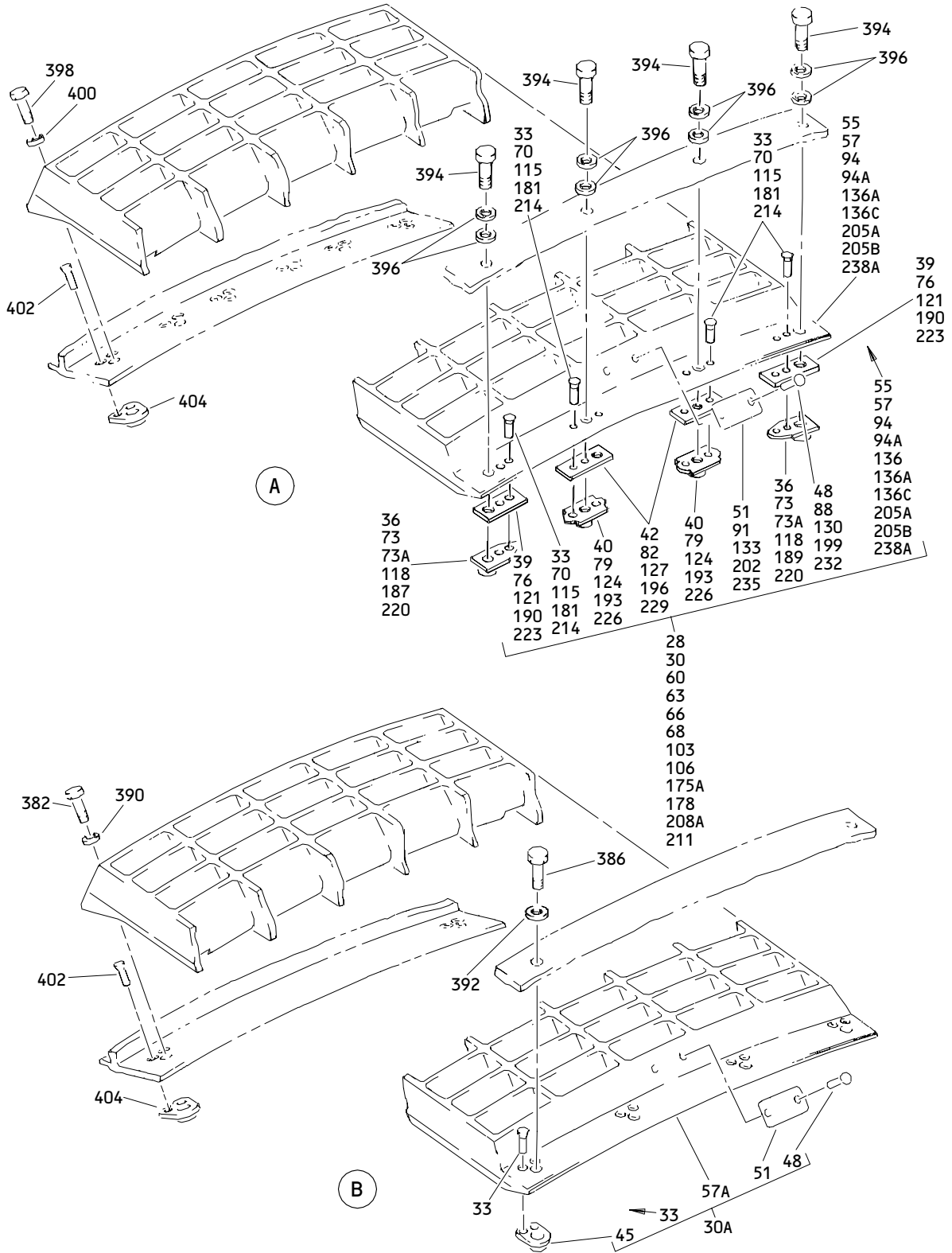
Jul 01/04



Engine Outboard and Inboard Side Fan Duct Cowling Assembly
 Figure 1 (Sheet 1)

71-11-33

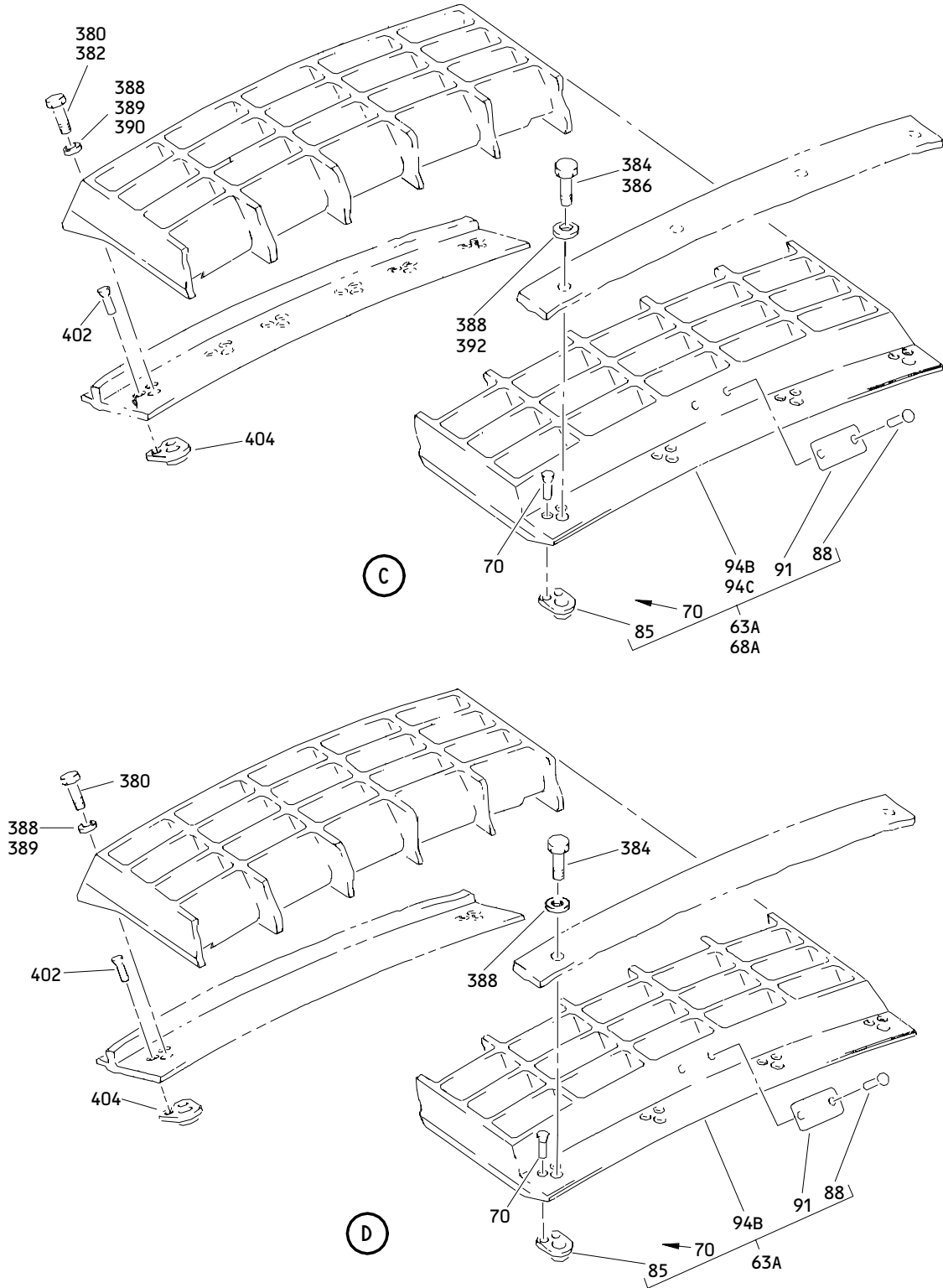
ILLUSTRATED PARTS LIST
 01.1 Page 1026U
 Jul 01/04



Engine Outboard and Inboard Side Fan Duct Cowling Assembly
 Figure 1 (Sheet 2)

71-11-33

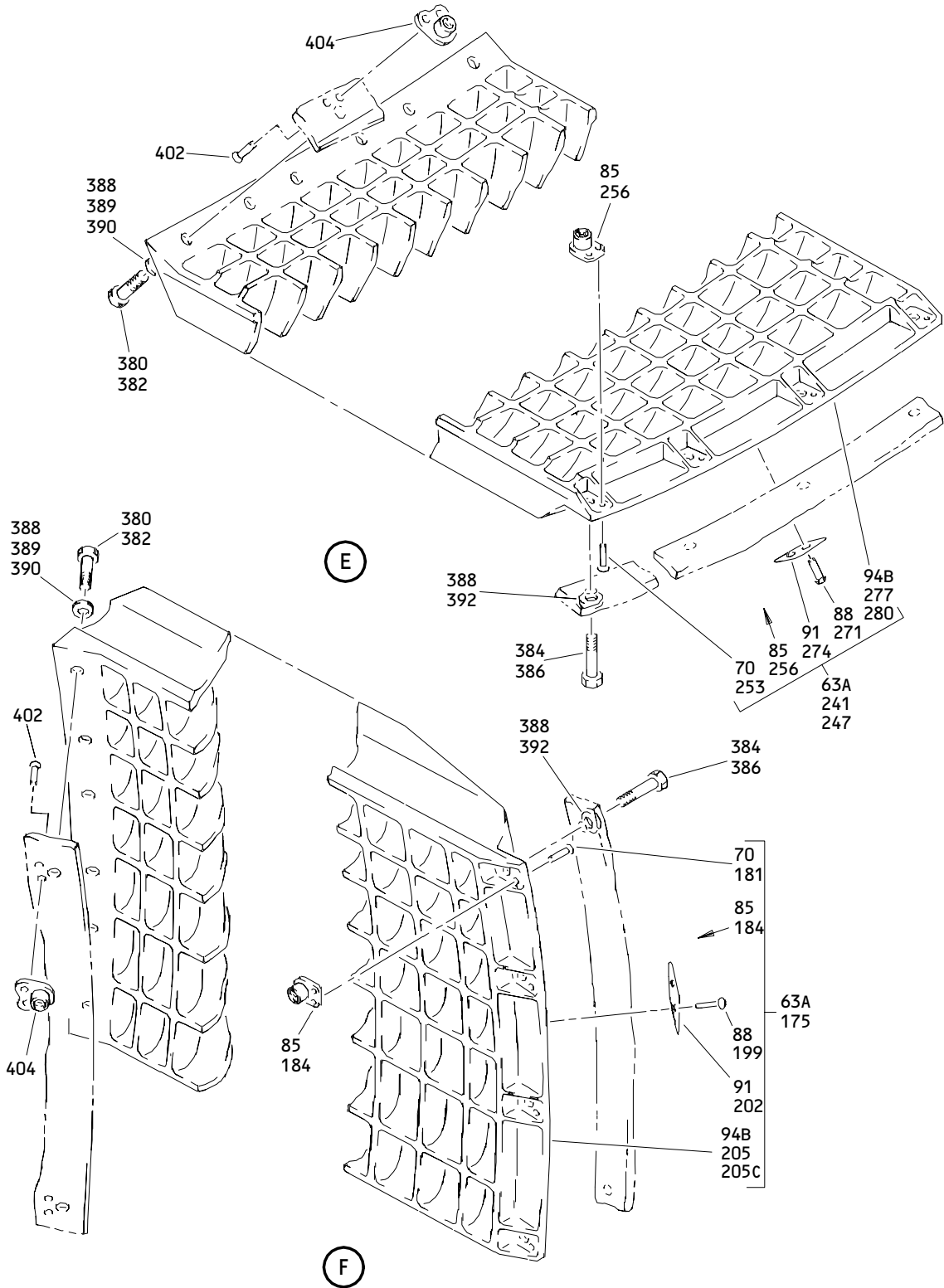
ILLUSTRATED PARTS LIST
 01.1 Page 1026V
 Jul 01/04



Engine Outboard and Inboard Side Fan Duct Cowling Assembly
Figure 1 (Sheet 3)

71-11-33

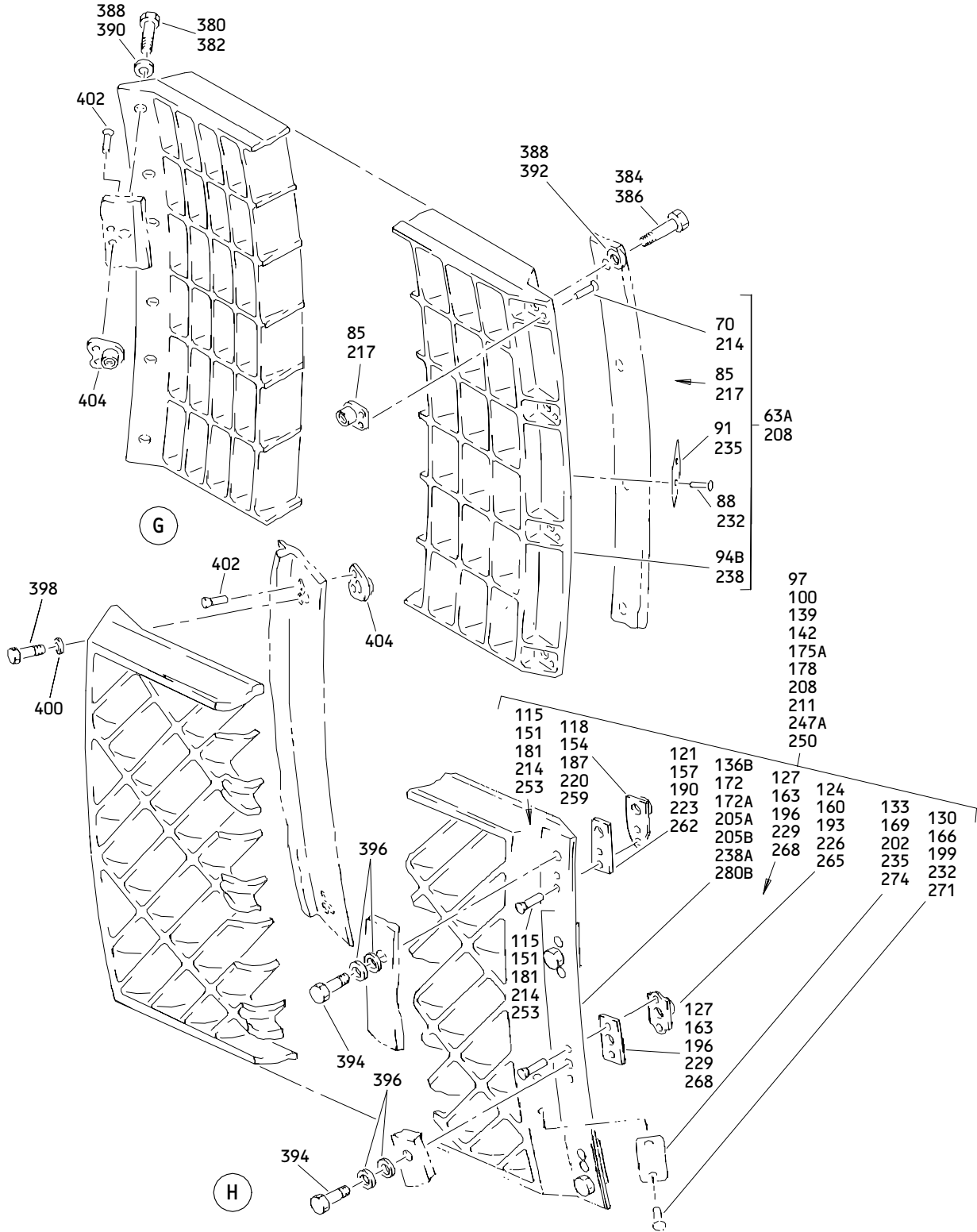
ILLUSTRATED PARTS LIST
01.1 Page 1026W
Jul 01/04



Engine Outboard and Inboard Side Fan Duct Cowling Assembly
 Figure 1 (Sheet 4)

71-11-33

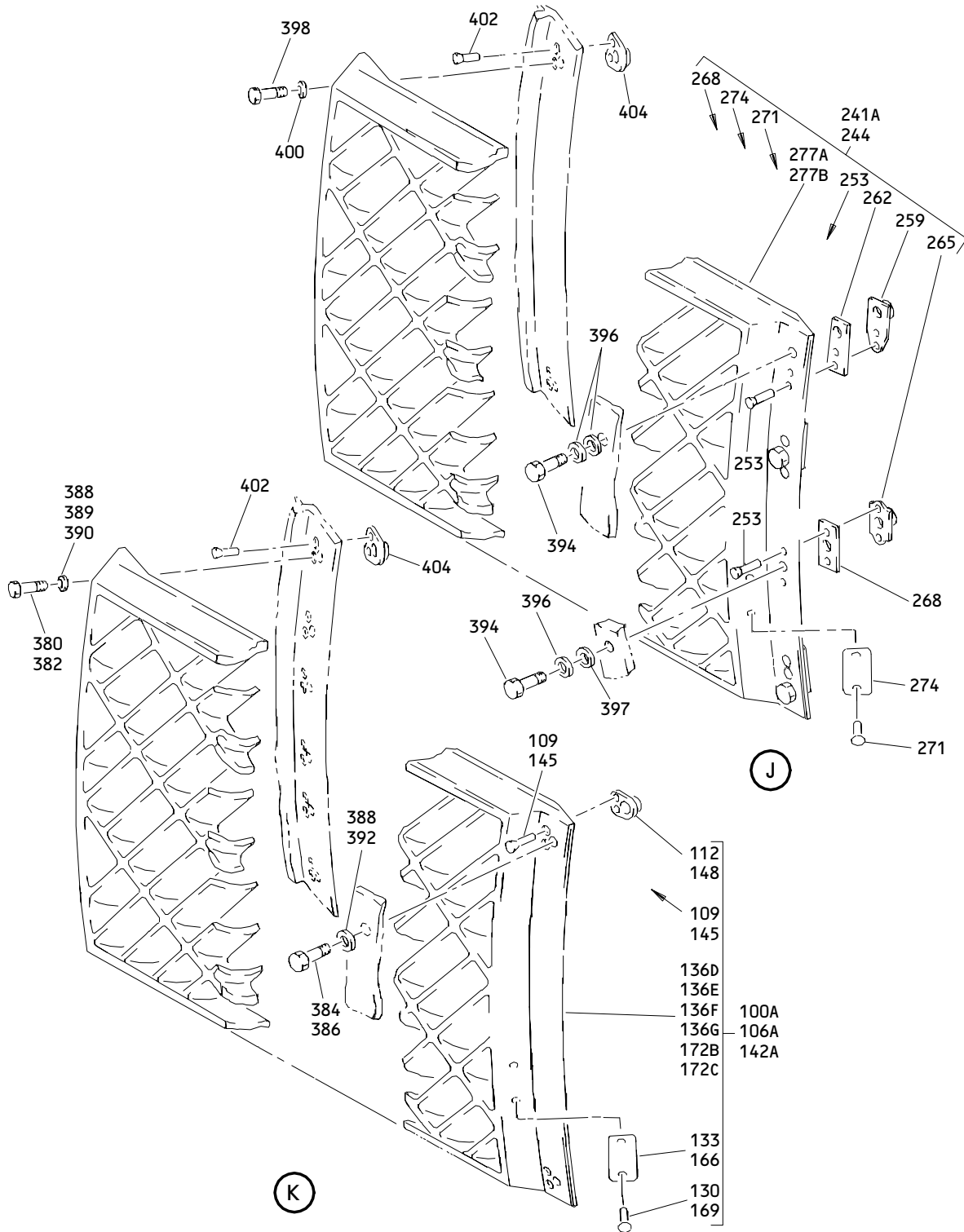
ILLUSTRATED PARTS LIST
 01.1 Page 1026X
 Jul 01/04



Engine Outboard and Inboard Side Fan Duct Cowling Assembly
 Figure 1 (Sheet 5)

71-11-33

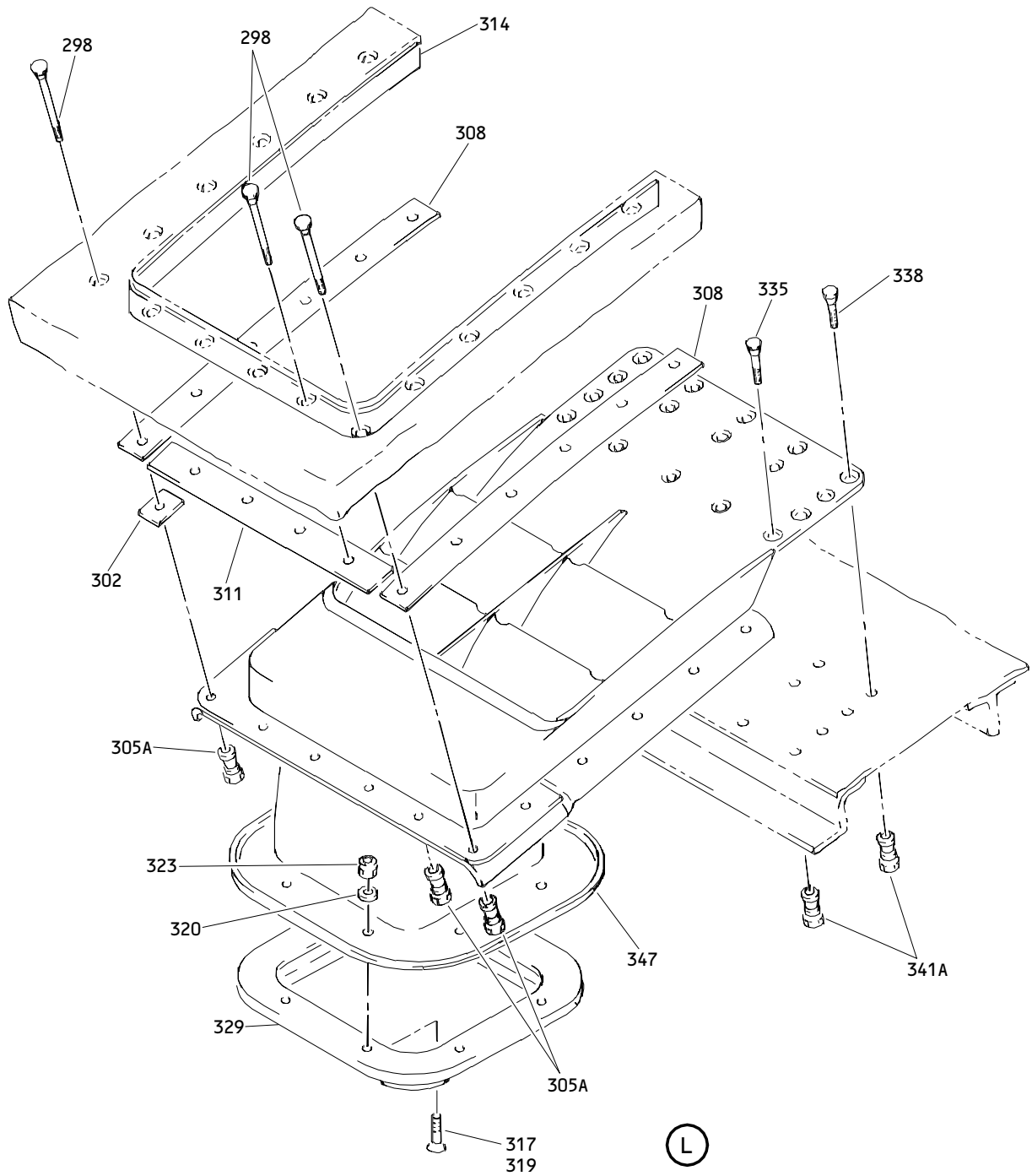
ILLUSTRATED PARTS LIST
 01.1 Page 1026Y
 Jul 01/04



Engine Outboard and Inboard Side Fan Duct Cowling Assembly
 Figure 1 (Sheet 6)

71-11-33

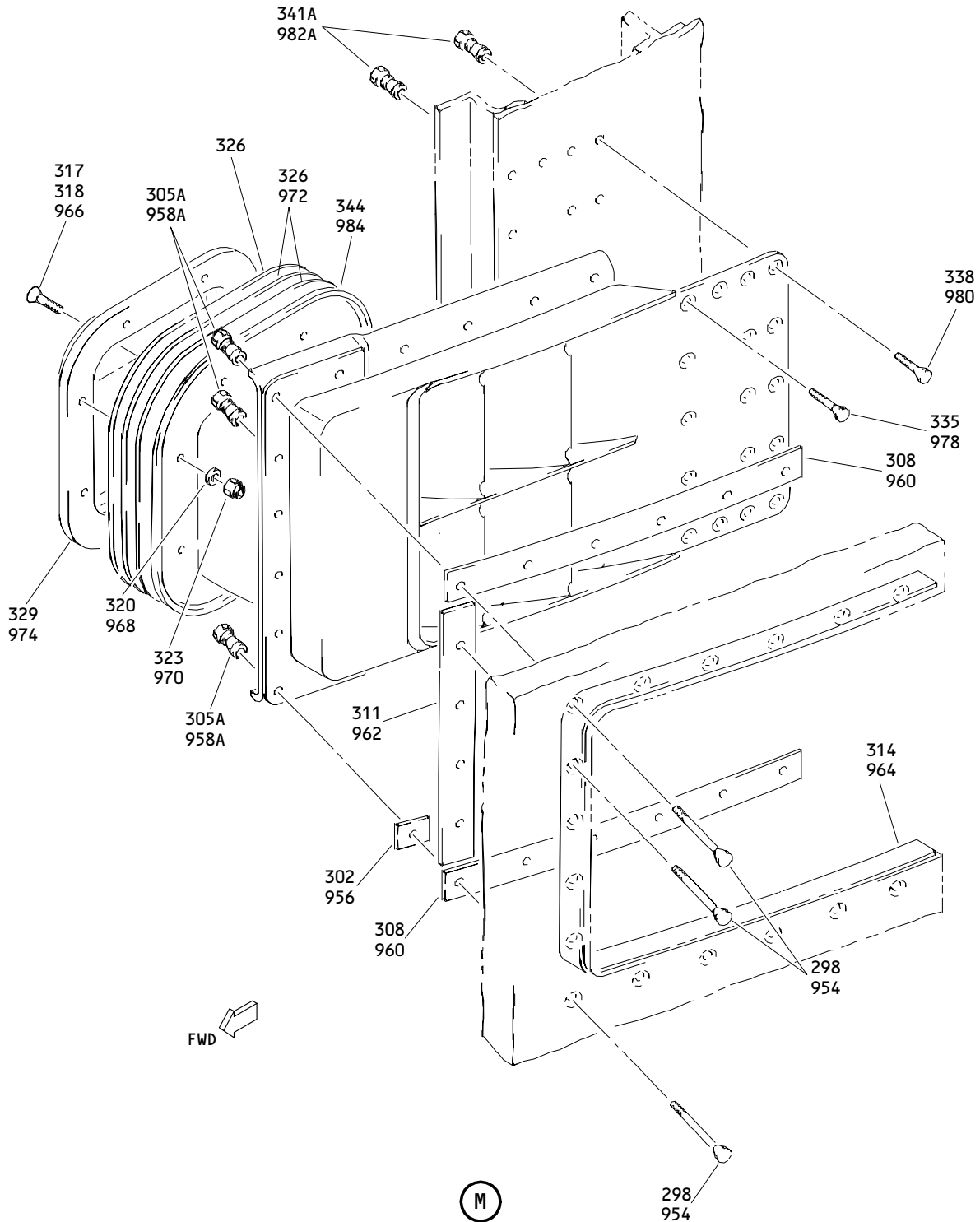
ILLUSTRATED PARTS LIST
 01.1 Page 10262
 Jul 01/04



Engine Outboard and Inboard Side Fan Duct Cowling Assembly
Figure 1 (Sheet 7)

71-11-33

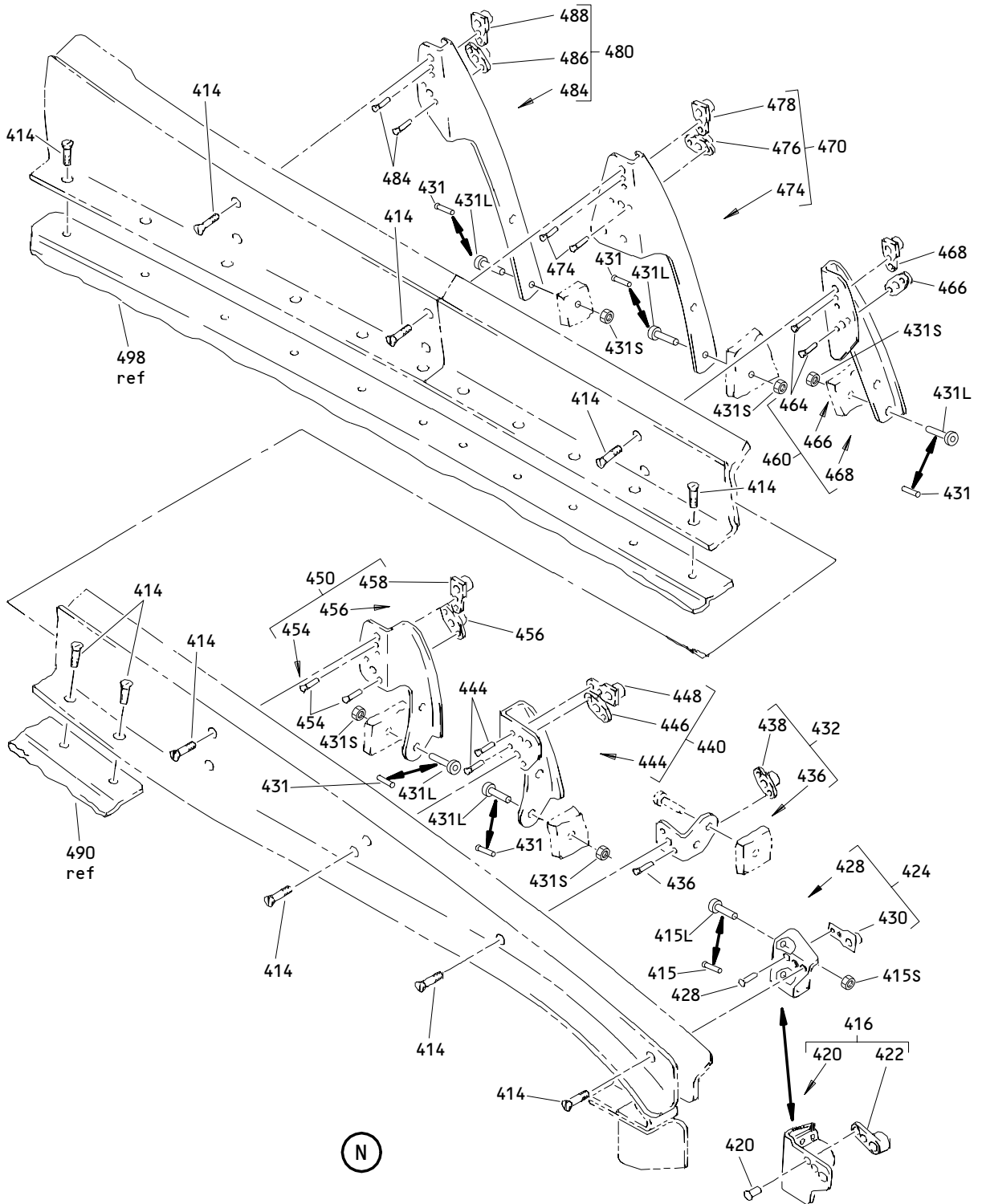
ILLUSTRATED PARTS LIST
01.1 Page 1027
Jul 01/04



Engine Outboard and Inboard Side Fan Duct Cowling Assembly
 Figure 1 (Sheet 8)

71-11-33

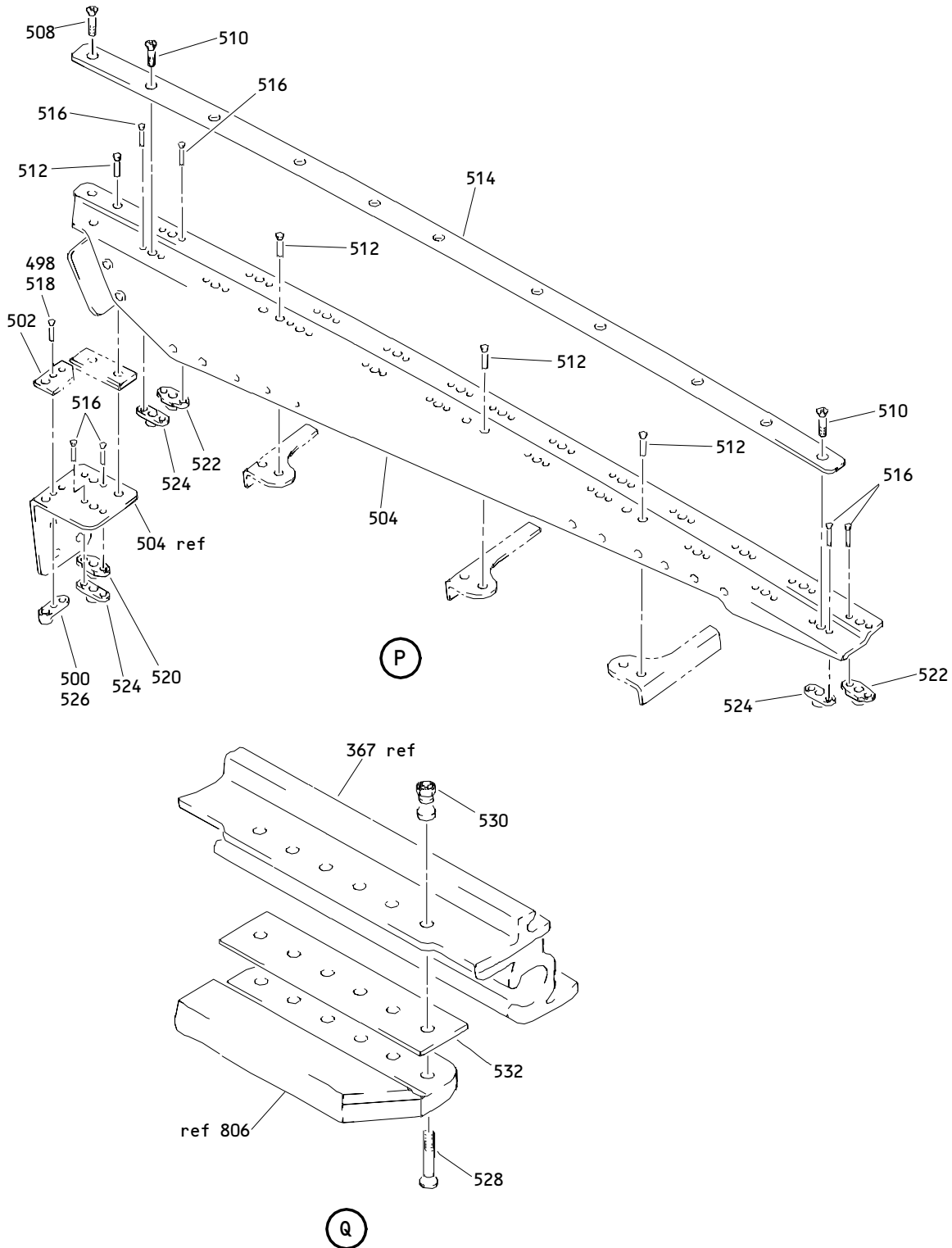
ILLUSTRATED PARTS LIST
 01.1 Page 1028
 Jul 01/04



Engine Outboard and Inboard Side Fan Duct Cowling Assembly
 Figure 1 (Sheet 9)

71-11-33

ILLUSTRATED PARTS LIST
 01.1 Page 1028A
 Jul 01/04



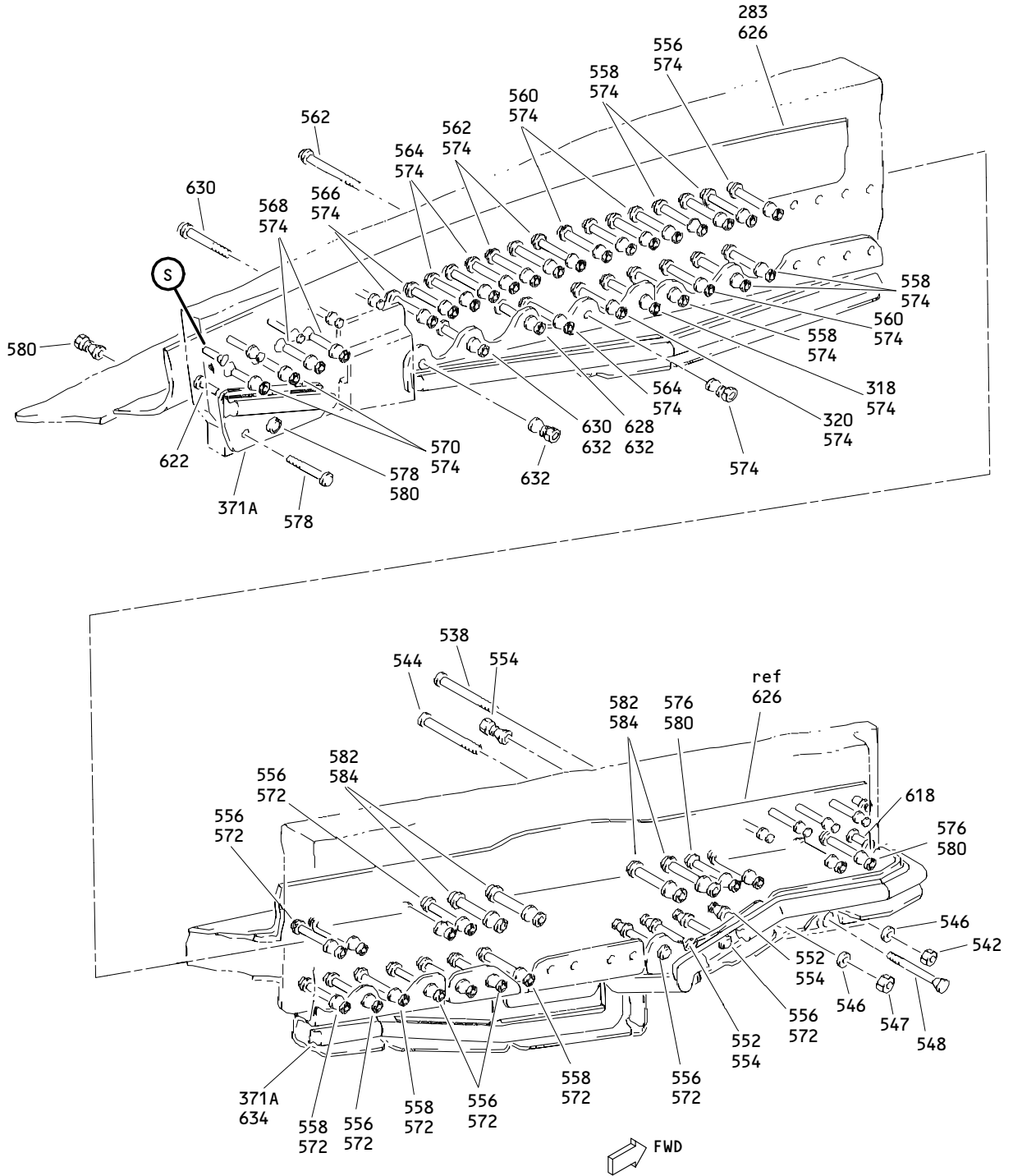
Engine Outboard and Inboard Side Fan Duct Cowling Assembly
 Figure 1 (Sheet 10)

71-11-33

ILLUSTRATED PARTS LIST
 01.1 Page 1028B
 Jul 01/04

BOEING

COMPONENT
MAINTENANCE MANUAL

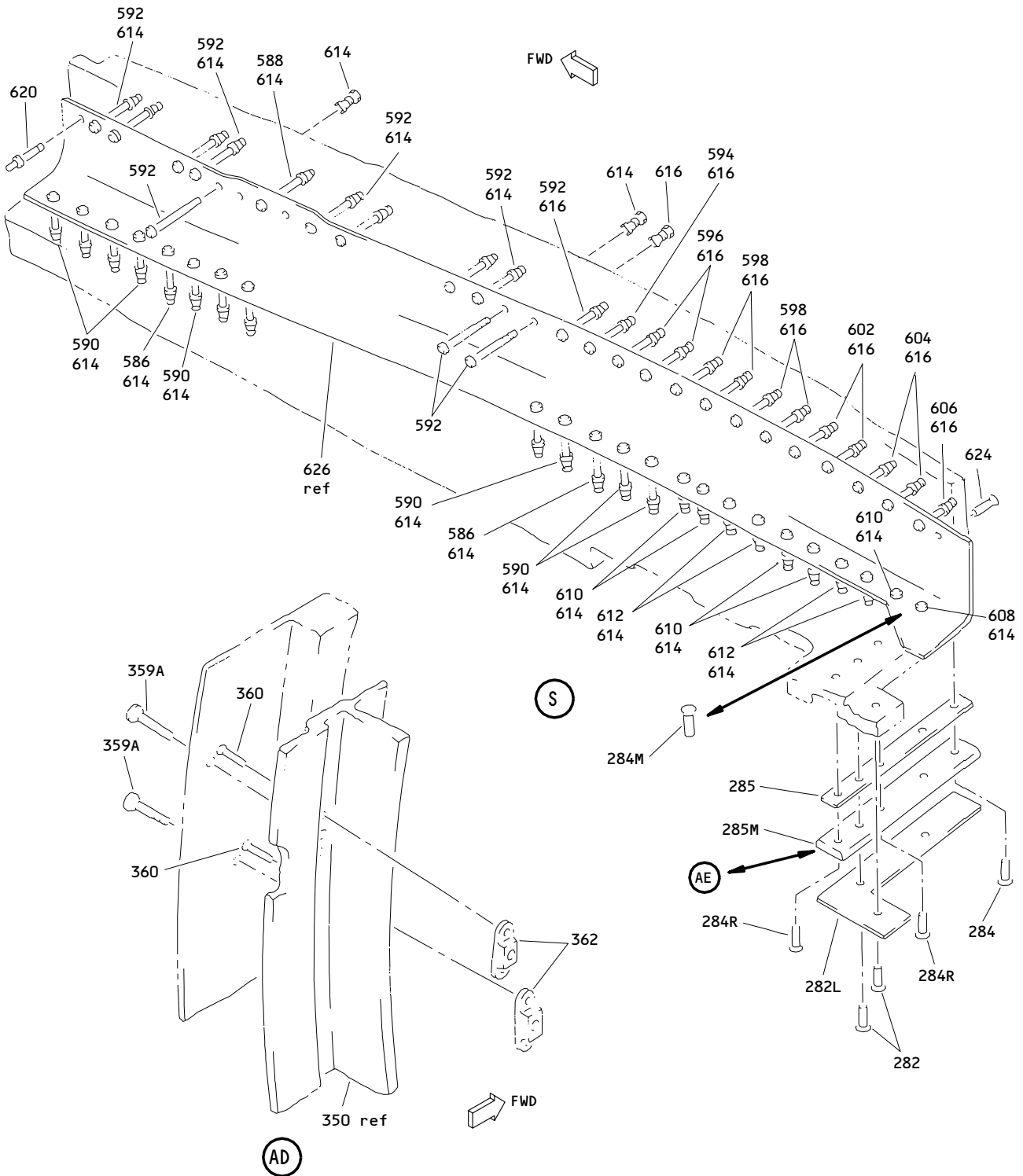


(R)

Engine Outboard and Inboard Side Fan Duct Cowling Assembly
Figure 1 (Sheet 11)

71-11-33

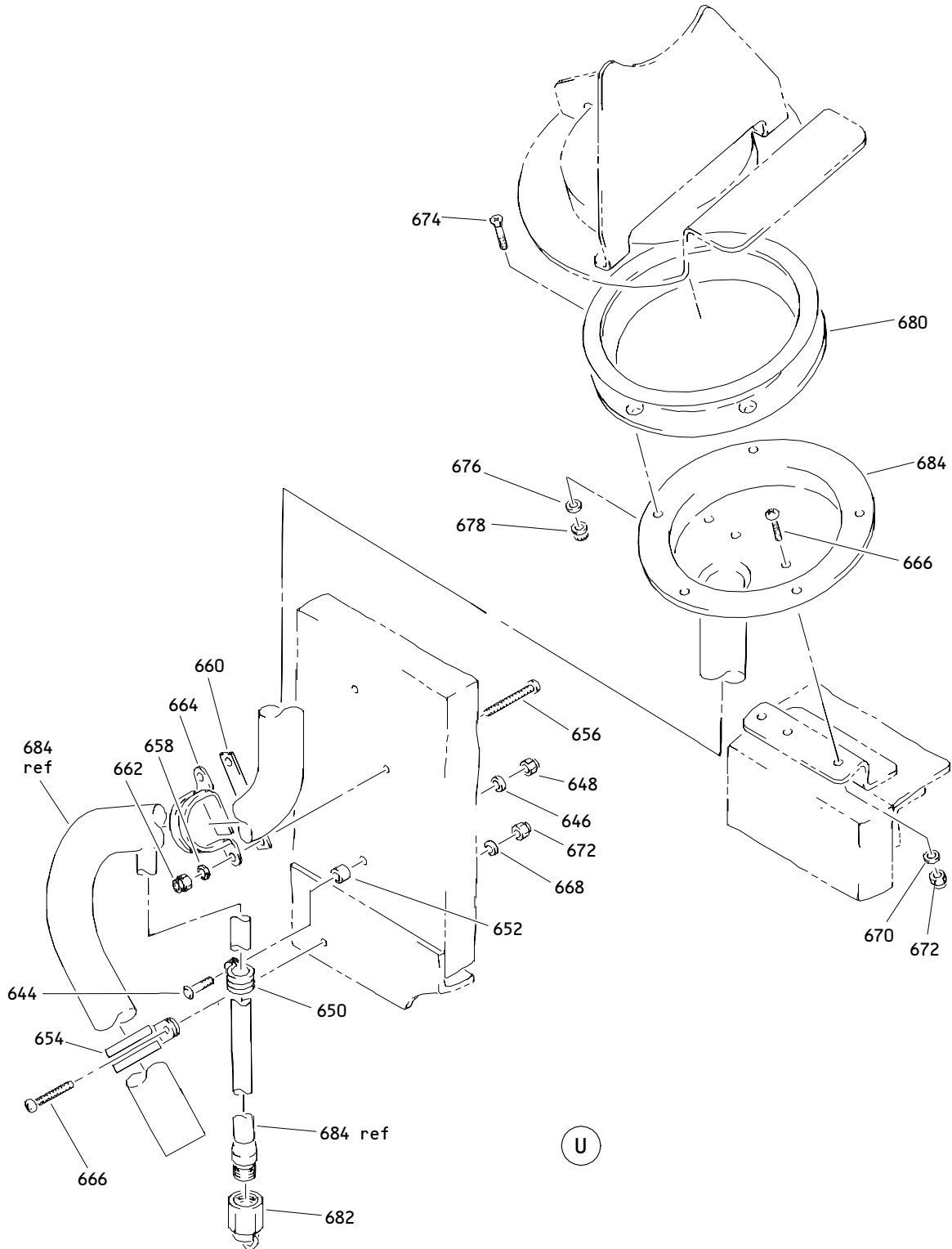
ILLUSTRATED PARTS LIST
01.1 Page 1028C
Jul 01/04



Engine Outboard and Inboard Side Fan Duct Cowling Assembly
 Figure 1 (Sheet 12)

71-11-33

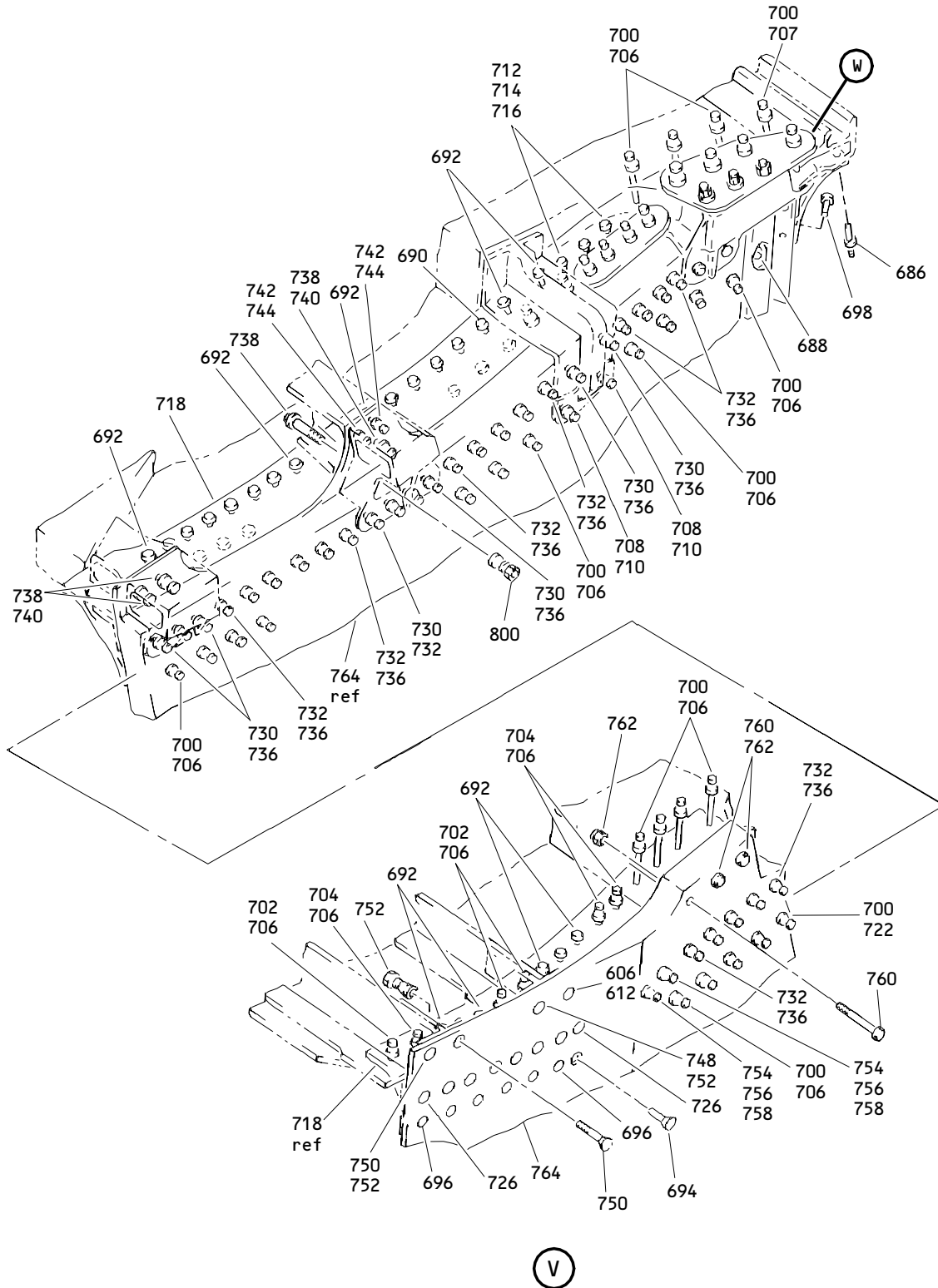
ILLUSTRATED PARTS LIST
 01.1 Page 1028D
 Jul 01/04



Engine Outboard and Inboard Side Fan Duct Cowling Assembly
Figure 1 (Sheet 13)

71-11-33

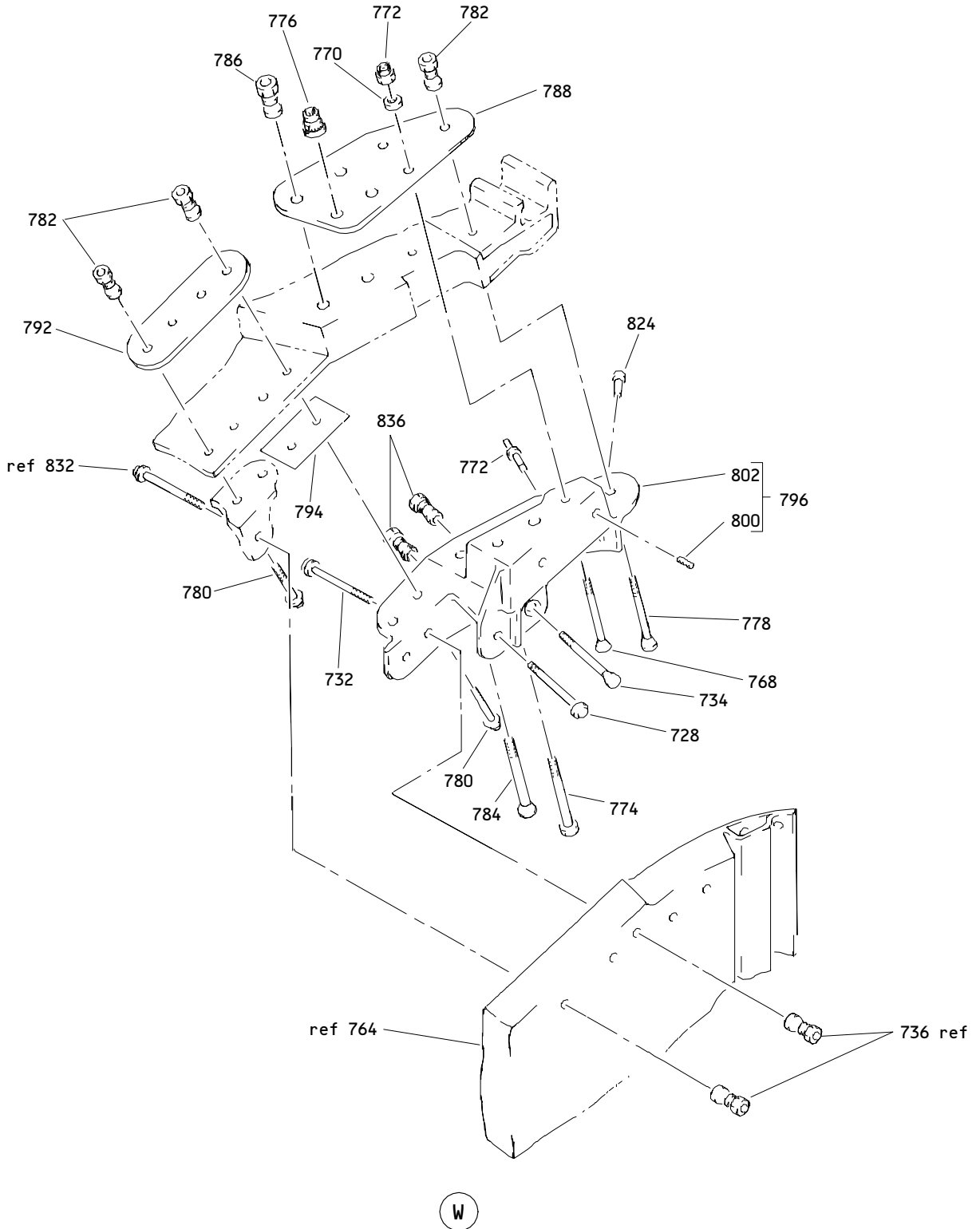
ILLUSTRATED PARTS LIST
01.1 Page 1028E
Jul 01/04



Engine Outboard and Inboard Side Fan Duct Cowling Assembly
 Figure 1 (Sheet 14)

71-11-33

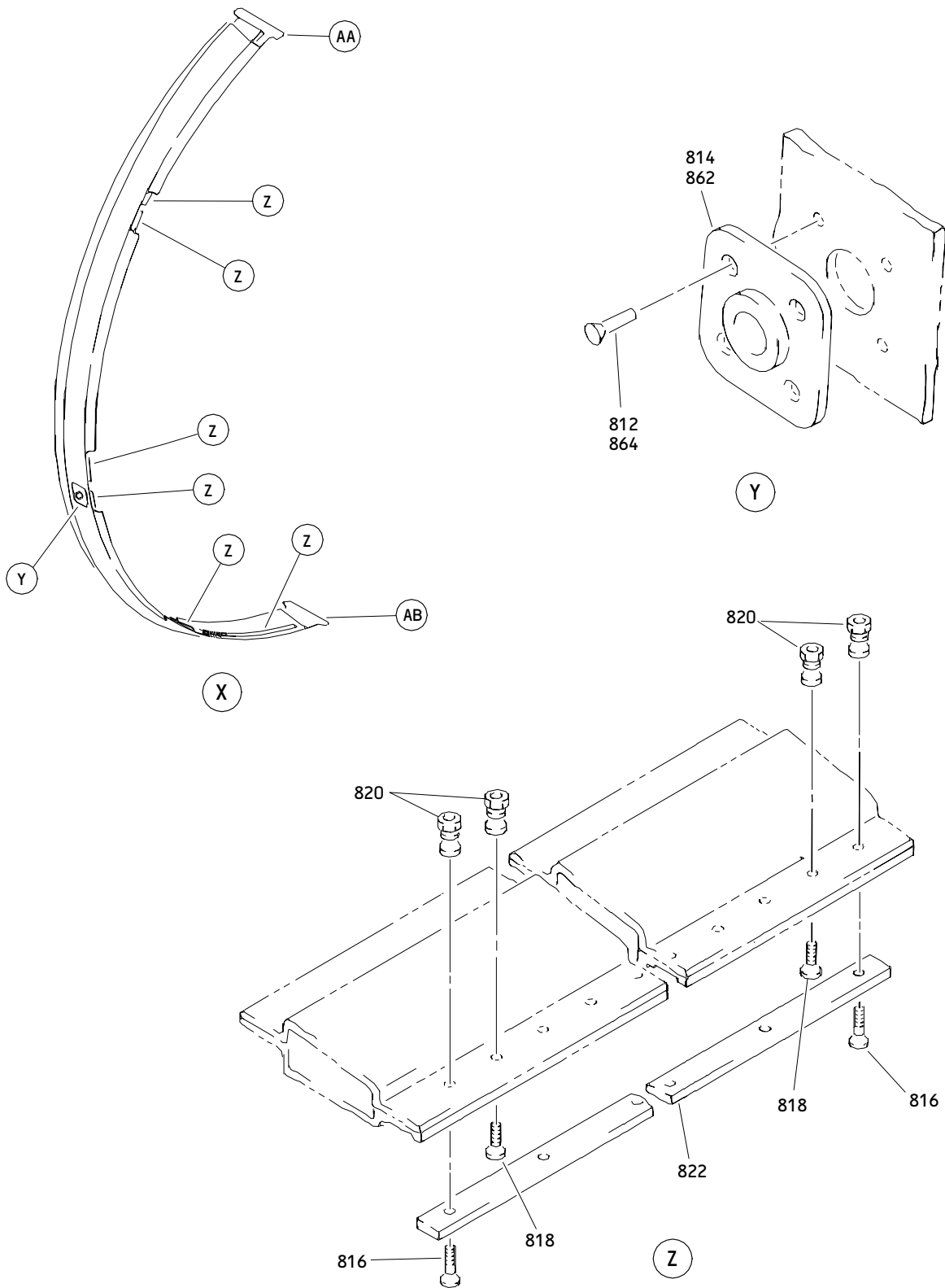
ILLUSTRATED PARTS LIST
 01.1 Page 1028F
 Jul 01/04



Engine Outboard and Inboard Side Fan Duct Cowling Assembly
Figure 1 (Sheet 15)

71-11-33

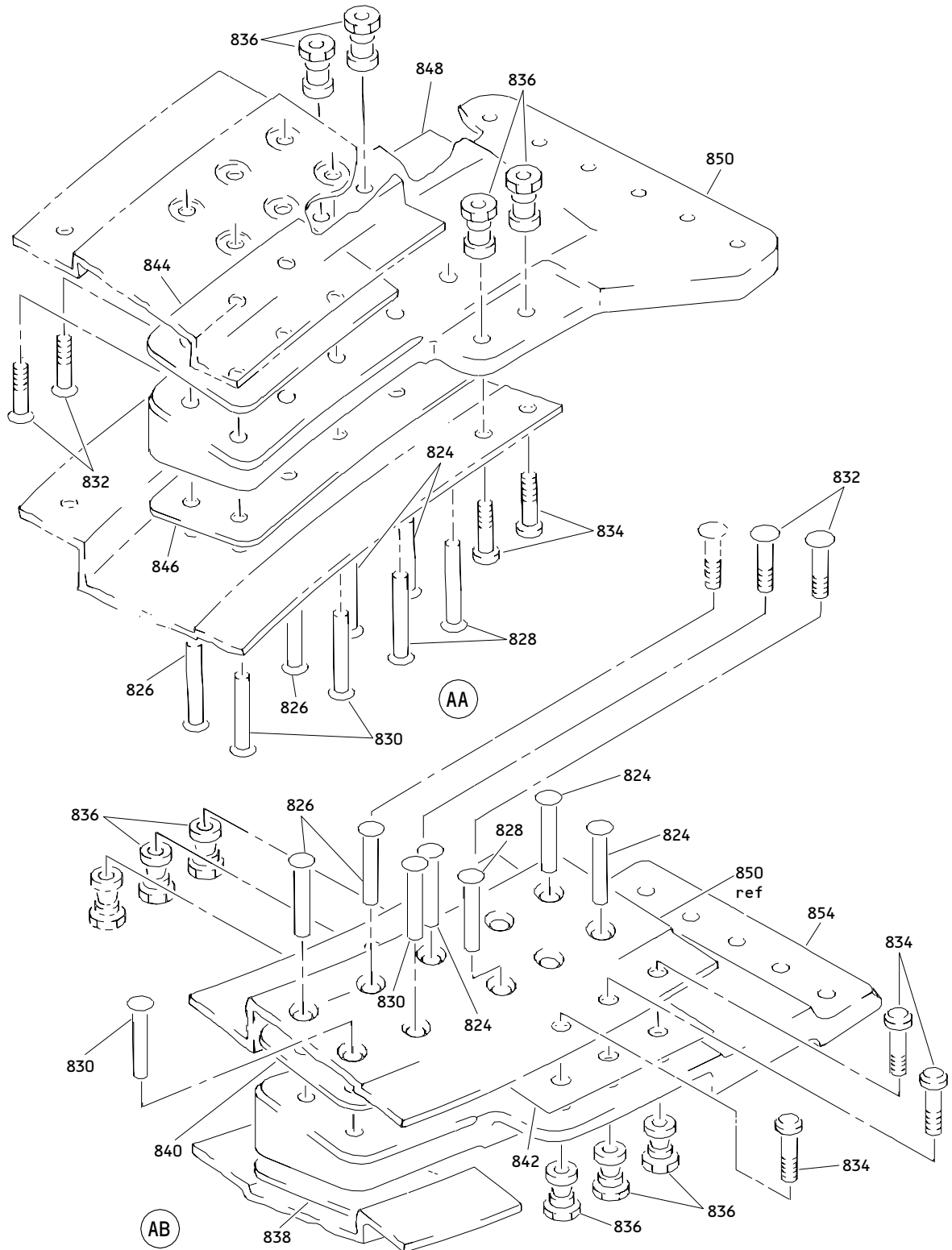
ILLUSTRATED PARTS LIST
01.1 Page 1028G
Jul 01/04



Engine Outboard and Inboard Side Fan Duct Cowling Assembly
 Figure 1 (Sheet 16)

71-11-33

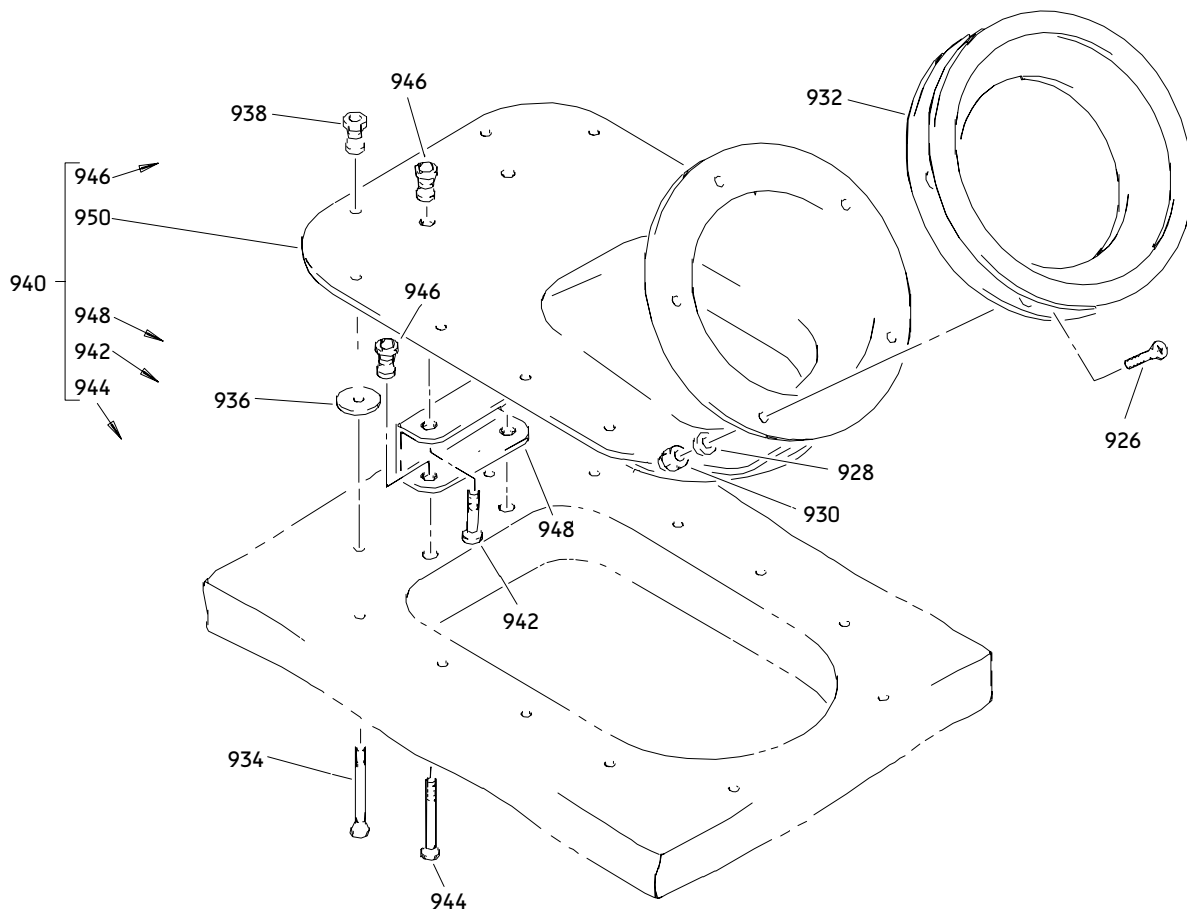
ILLUSTRATED PARTS LIST
 01.1 Page 1028H
 Jul 01/04



Engine Outboard and Inboard Side Fan Duct Cowling Assembly
Figure 1 (Sheet 17)

71-11-33

ILLUSTRATED PARTS LIST
01.1 Page 1028I
Jul 01/04

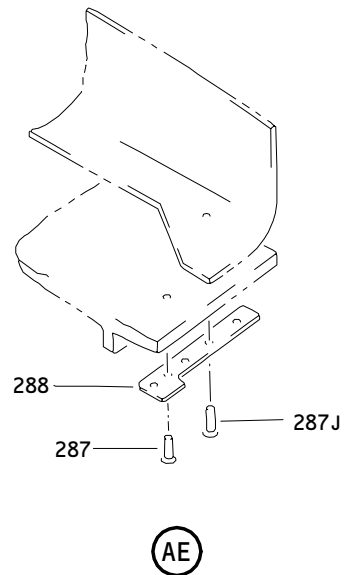
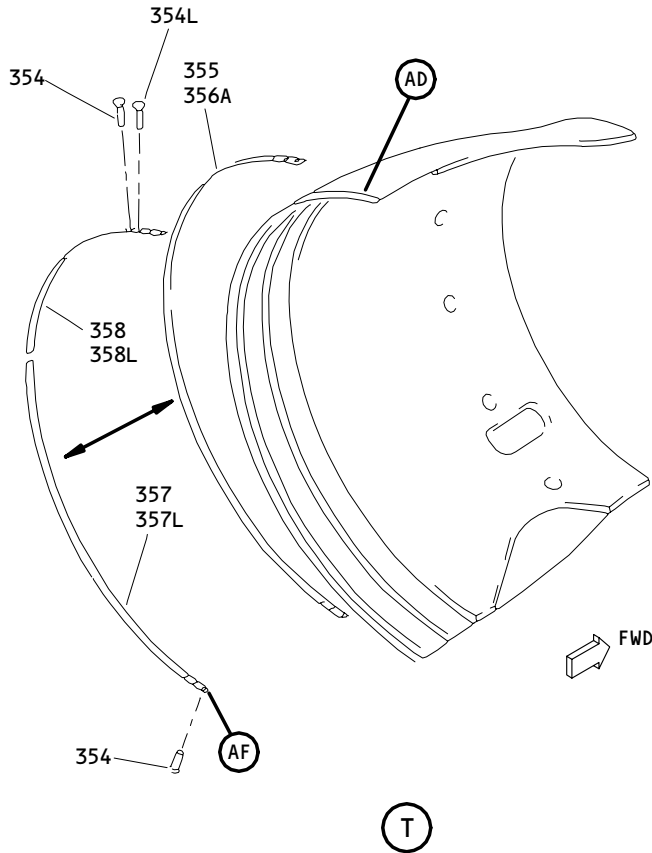


AC

Engine Outboard and Inboard Side Fan Duct Cowling Assembly
Figure 1 (Sheet 18)

71-11-33

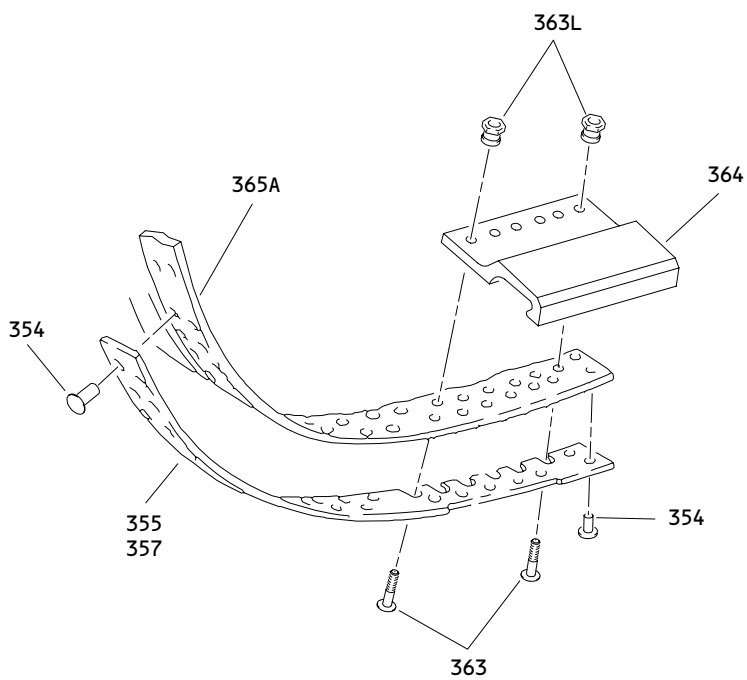
ILLUSTRATED PARTS LIST
01.1 Page 1028J
Jul 01/04



Engine Outboard and Inboard Side Fan Duct Cowling Assembly
Figure 1 (Sheet 19)

71-11-33

ILLUSTRATED PARTS LIST
01.1 Page 1028K
Jul 01/04



(AF)

Engine Outboard and Inboard Side Fan Duct Cowling Assembly
Figure 1 (Sheet 20)

71-11-33

ILLUSTRATED PARTS LIST
01.1 Page 1028L
Jul 01/04


BOEING
 COMPONENT
 MAINTENANCE MANUAL

FIG. & ITEM	PART NO.	AIRLINE PART NUMBER	NOMENCLATURE 1234567	EFF CODE	QTY PER ASSY
01- -1	315T3002-57		COWL ASSY-ENG OUTBD SIDE FAN DUCT (LH)	A	RF
-1A	315T3002-89		COWL ASSY-ENG OUTBD SIDE FAN DUCT (LH)	B	RF
-1B	315T3002-101		COWL ASSY-ENG OUTBD SIDE FAN DUCT (LH)	AJ	RF
-1C	315T3002-105		COWL ASSY-ENG OUTBD SIDE FAN DUCT (LH)	D	RF
-1D	315T3002-117		COWL ASSY-ENG OUTBD SIDE FAN DUCT (LH)	S	RF
-1E	315T3002-121		COWL ASSY-ENG OUTBD SIDE FAN DUCT (LH)	W	RF
-1F	315T3002-125		COWL ASSY-ENG OUTBD SIDE FAN DUCT (LH)	X	RF
-1G	315T3002-129		COWL ASSY-ENG OUTBD SIDE FAN DUCT (LH)	C	RF
-1H	315T3002-133		COWL ASSY-ENG OUTBD SIDE FAN DUCT (LH)	G	RF
-1J	315T3002-143		COWL ASSY-ENG OUTBD SIDE FAN DUCT (LH) (FOR DETAILS SEE FIG. 12)	AN	RF
-1K	315T3002-149		COWL ASSY-ENG OUTBD SIDE FAN DUCT (LH) (FOR DETAILS SEE FIG. 12)	AS	RF
-1L	315T3002-153		COWL ASSY-ENG OUTBD SIDE FAN DUCT (LH) (FOR DETAILS SEE FIG. 12)	AW	RF
-1M	315T3002-157		COWL ASSY-ENG OUTBD SIDE FAN DUCT (LH) (FOR DETAILS SEE FIG. 12)	BA	RF
-1N	315T3002-161		COWL ASSY-ENG OUTBD SIDE FAN DUCT (LH) (FOR DETAILS SEE FIG. 12)	BE	RF
-5	315T3002-58		COWL ASSY-ENG INBD SIDE FAN DUCT (LH)	E	RF
-5A	315T3002-90		COWL ASSY-ENG INBD SIDE FAN DUCT (LH)	F	RF
-5B	315T3002-102		COWL ASSY-ENG INBD SIDE FAN DUCT (LH)	AK	RF

71-11-33

 ILLUSTRATED PARTS LIST
 01.1 Page 1028M
 Jul 01/04

FIG. & ITEM	PART NO.	AIRLINE PART NUMBER	NOMENCLATURE 1234567	EFF CODE	QTY PER ASSY
01- -5C	315T3002-106		COWL ASSY-ENG INBD SIDE FAN DUCT (LH)	H	RF
-5D	315T3002-118		COWL ASSY-ENG INBD SIDE FAN DUCT (LH)	T	RF
-5E	315T3002-122		COWL ASSY-ENG INBD SIDE FAN DUCT (LH)	Y	RF
-5F	315T3002-126		COWL ASSY-ENG INBD SIDE FAN DUCT (LH)	Z	RF
-5G	315T3002-130		COWL ASSY-ENG INBD SIDE FAN DUCT (LH)	L	RF
-5H	315T3002-134		COWL ASSY-ENG INBD SIDE FAN DUCT (LH)	Q	RF
-5J	315T3002-144		COWL ASSY-ENG INBD SIDE FAN DUCT (LH) (FOR DETAILS SEE FIG. 12)	AP	RF
-5K	315T3002-150		COWL ASSY-ENG INBD SIDE FAN DUCT (LH) (FOR DETAILS SEE FIG. 12)	AT	RF
-5L	315T3002-154		COWL ASSY-ENG INBD SIDE FAN DUCT (LH) (FOR DETAILS SEE FIG. 12)	AX	RF
-5M	315T3002-158		COWL ASSY-ENG INBD SIDE FAN DUCT (LH) (FOR DETAILS SEE FIG. 12)	BB	RF
-5N	315T3002-162		COWL ASSY-ENG INBD SIDE FAN DUCT (LH) (FOR DETAILS SEE FIG. 12)	BF	RF
-10	315T3002-59		COWL ASSY-ENG INBD SIDE FAN DUCT (RH)	J	RF
-10A	315T3002-91		COWL ASSY-ENG INBD SIDE FAN DUCT (RH)	K	RF
-10B	315T3002-103		COWL ASSY-ENG INBD SIDE FAN DUCT (RH)	AL	RF
-10C	315T3002-107		COWL ASSY-ENG INBD SIDE FAN DUCT (RH)	M	RF
-10D	315T3002-119		COWL ASSY-ENG INBD SIDE FAN DUCT (RH)	U	RF
-10E	315T3002-123		COWL ASSY-ENG INBD SIDE FAN DUCT (RH)	AA	RF

71-11-33

 ILLUSTRATED PARTS LIST
 01.1 Page 1028N
 Jul 01/04


BOEING
 COMPONENT
 MAINTENANCE MANUAL

FIG. & ITEM	PART NO.	AIRLINE PART NUMBER	NOMENCLATURE 1234567	EFF CODE	QTY PER ASSY
01- -10F	315T3002-127		COWL ASSY-ENG INBD SIDE FAN DUCT (RH)	AB	RF
-10G	315T3002-131		COWL ASSY-ENG INBD SIDE FAN DUCT (RH)	AE	RF
-10H	315T3002-135		COWL ASSY-ENG INBD SIDE FAN DUCT (RH)	AF	RF
-10J	315T3002-145		COWL ASSY-ENG INBD SIDE FAN DUCT (RH) (FOR DETAILS SEE FIG. 12)	AQ	RF
-10K	315T3002-151		COWL ASSY-ENG INBD SIDE FAN DUCT (RH) (FOR DETAILS SEE FIG. 12)	AU	RF
-10L	315T3002-155		COWL ASSY-ENG INBD SIDE FAN DUCT (RH) (FOR DETAILS SEE FIG. 12)	AY	RF
-10M	315T3002-159		COWL ASSY-ENG INBD SIDE FAN DUCT (RH) (FOR DETAILS SEE FIG. 12)	BC	RF
-10N	315T3002-163		COWL ASSY-ENG INBD SIDE FAN DUCT (RH) (FOR DETAILS SEE FIG. 12)	BG	RF
-15	315T3002-60		COWL ASSY-ENG OUTBD SIDE FAN DUCT (RH)	N	RF
-15A	315T3002-92		COWL ASSY-ENG OUTBD SIDE FAN DUCT (RH)	P	RF
-15B	315T3002-104		COWL ASSY-ENG OUTBD SIDE FAN DUCT (RH)	AM	RF
-15C	315T3002-108		COWL ASSY-ENG OUTBD SIDE FAN DUCT (RH)	R	RF
-15D	315T3002-120		COWL ASSY-ENG OUTBD SIDE FAN DUCT (RH)	V	RF
-15E	315T3002-124		COWL ASSY-ENG OUTBD SIDE FAN DUCT (RH)	AC	RF
-15F	315T3002-128		COWL ASSY-ENG OUTBD SIDE FAN DUCT (RH)	AD	RF
-15G	315T3002-132		COWL ASSY-ENG OUTBD SIDE FAN DUCT (RH)	AG	RF
-15H	315T3002-136		COWL ASSY-ENG OUTBD SIDE FAN DUCT (RH)	AH	RF

71-11-33

 ILLUSTRATED PARTS LIST
 01.1 Page 10280
 Jul 01/04

FIG. & ITEM	PART NO.	AIRLINE PART NUMBER	NOMENCLATURE 1234567	EFF CODE	QTY PER ASSY
01- -15J	315T3002-146		COWL ASSY-ENG OUTBD SIDE FAN DUCT (RH) (FOR DETAILS SEE FIG. 12)	AR	RF
-15K	315T3002-152		COWL ASSY-ENG OUTBD SIDE FAN DUCT (RH) (FOR DETAILS SEE FIG. 12)	AV	RF
-15L	315T3002-156		COWL ASSY-ENG OUTBD SIDE FAN DUCT (RH) (FOR DETAILS SEE FIG. 12)	AZ	RF
-15M	315T3002-160		COWL ASSY-ENG OUTBD SIDE FAN DUCT (RH) (FOR DETAILS SEE FIG. 12)	BD	RF
-15N	315T3002-164		COWL ASSY-ENG OUTBD SIDE FAN DUCT (RH) (FOR DETAILS SEE FIG. 12)	BH	RF
-20	315T3002-5109		.COLLECTOR-LIMITED POINT	A	1
-20A	315T3002-5101		.COLLECTOR-LIMITED POINT	B	1
-20B	315T3002-5105		.COLLECTOR-LIMITED POINT	S	1
-20C	315T3002-5113		.COLLECTOR-LIMITED POINT	D	1
-20D	315T3002-5127		.COLLECTOR-LIMITED POINT	AJ	1
-20E	315T3002-5131		.COLLECTOR-LIMITED POINT	W	1
-20F	315T3002-5135		.COLLECTOR-LIMITED POINT	X	1
-20G	315T3002-5139		.COLLECTOR-LIMITED POINT	C	1
-20H	315T3002-5143		.COLLECTOR-LIMITED POINT	G	1
-22	315T3002-5110		.COLLECTOR-LIMITED POINT	E	1
-22A	315T3002-5102		.COLLECTOR-LIMITED POINT	F	1
-22B	315T3002-5106		.COLLECTOR-LIMITED POINT	T	1
-22C	315T3002-5114		.COLLECTOR-LIMITED POINT	H	1
-22D	315T3002-5128		.COLLECTOR-LIMITED POINT	AK	1
-22E	315T3002-5132		.COLLECTOR-LIMITED POINT	Y	1
-22F	315T3002-5136		.COLLECTOR-LIMITED POINT	Z	1
-22G	315T3002-5140		.COLLECTOR-LIMITED POINT	L	1
-22H	315T3002-5144		.COLLECTOR-LIMITED POINT	Q	1
-24	315T3002-5111		.COLLECTOR-LIMITED POINT	J	1
-24A	315T3002-5103		.COLLECTOR-LIMITED POINT	K	1
-24B	315T3002-5107		.COLLECTOR-LIMITED POINT	U	1
-24C	315T3002-5115		.COLLECTOR-LIMITED POINT	M	1
-24D	315T3002-5129		.COLLECTOR-LIMITED POINT	AL	1
-24E	315T3002-5133		.COLLECTOR-LIMITED POINT	AA	1
-24F	315T3002-5137		.COLLECTOR-LIMITED POINT	AB	1

71-11-33

 ILLUSTRATED PARTS LIST
 01.1 Page 1028P
 Jul 01/04


BOEING
 COMPONENT
 MAINTENANCE MANUAL

FIG. & ITEM	PART NO.	AIRLINE PART NUMBER	NOMENCLATURE 1234567	EFF CODE	QTY PER ASSY
01-					
-24G	315T3002-5141		.COLLECTOR-LIMITED POINT	AE	1
-24H	315T3002-5145		.COLLECTOR-LIMITED POINT	AF	1
-26	315T3002-5112		.COLLECTOR-LIMITED POINT	N	1
-26A	315T3002-5104		.COLLECTOR-LIMITED POINT	P	1
-26B	315T3002-5108		.COLLECTOR-LIMITED POINT	V	1
-26C	315T3002-5116		.COLLECTOR-LIMITED POINT	R	1
-26D	315T3002-5130		.COLLECTOR-LIMITED POINT	AM	1
-26E	315T3002-5134		.COLLECTOR-LIMITED POINT	AC	1
-26F	315T3002-5138		.COLLECTOR-LIMITED POINT	AD	1
-26G	315T3002-5142		.COLLECTOR-LIMITED POINT	AG	1
-26H	315T3002-5146		.COLLECTOR-LIMITED POINT	AH	1
28	315T4210-1		..CASCADE ASSY-RADIAL FLOW (315T4210-1 WITH ITS ATTACHING PARTS I/W 315T3210-3 OR -9 WITH ITS ATTACHING PARTS)	C,D,G ,M,S, U,W,X ,AA,A B,AE AF,AJ ,AL	1
-28A	315T3210-9		..CASCADE ASSY-RADIAL FLOW (315T4210-1 WITH ITS ATTACHING PARTS I/W 315T3210-9 TOGETHER WITH ITS ATTACHING PARTS) (PRE SB 767-78-0020)	A,B,J ,K	1
-28B	315T4210-1		..CASCADE ASSY-RADIAL FLOW (POST SB 767-78-0020)	A,B,J ,K	1
30	315T4210-2		..CASCADE ASSY-RADIAL FLOW (315T4210-2 WITH ITS ATTACHING PARTS I/W 315T3210-4 OR -10 T/W ITS ATTACHING PARTS)	H,L,Q ,R,T, V,Y,Z ,AC,A D,AG AH,AK ,AM	1
30A	315T3210-10		..CASCADE ASSY-RADIAL FLOW (315T4210-2 WITH ITS ATTACHING PARTS I/W 315T3210-10 TOGETHER WITH ITS ATTACHING PARTS) (PRE SB 767-78-0020)	E,F,N ,P	1

71-11-33

ILLUSTRATED PARTS LIST

01.1 Page 1028Q

Jul 01/04

FIG. & ITEM	PART NO.	AIRLINE PART NUMBER	NOMENCLATURE 1234567	EFF CODE	QTY PER ASSY
01-30B	315T4210-2		..CASCADE ASSY-RADIAL FLOW (315T4210-2 WITH ITS ATTACHING PARTS I/W 315T3210-4 OR -10 T/W ITS ATTACHING PARTS) (POST SB 767-78-0020)	E,F,N ,P	1
33	BACR15CE3B		...RIVET- (SIZE DETERMINE ON INST)	A-AM	8
36	BRF100C4D		...NUTPLATE- (V52828) (SPEC BACN10KB4CFD) (OPT F51604-4 (V15653)) (OPT 102F9207P4 (V72962)) (OPT F51604-4 (V15653)) (USED ON ITEMS 28, 28B, 30, 30B)	A-AM	2
39	315T4210-10		...SPACER-RADIUS FILLER (USED ON ITEMS 28, 28B, 30, 30B)	A-AM	2
40	BRF200C4D		...NUTPLATE- (V52828) (SPEC BACN10JR4CFD) (OPT K51602-4BAC (V15653)) (OPT NS202476-048 (V80539)) (OPT 102F9201-4 (V72962)) (OPT T8092C428CD (V11815)) (USED ON ITEMS 28, 28B, 30, 30B)	A-AM	2

71-11-33

 ILLUSTRATED PARTS LIST
 01.1 Page 1028R
 Jul 01/04


BOEING
 COMPONENT
 MAINTENANCE MANUAL

FIG. & ITEM	PART NO.	AIRLINE PART NUMBER	NOMENCLATURE 1234567	EFF CODE	QTY PER ASSY
01-42	315T4210-9		...SPACER-RADIUS FILLER (USED ON ITEMS 28, 28B, 30, 30B)	A-AM	2
45	M13640-048		...NUTPLATE- (V80539) (USED ON ITEMS 28A, 30A)	A,B,E ,F,J, K,N,P	4
48	BACR15BB3B		...RIVET- (SIZE DETERMINE ON INST)	A-AM	2
51	69B97503-1		...TAG-IDENT (USED ON ITEMS 28A, 30A)	A,B,E ,F,J, K,N,P	1
-51A	69B97503-1		...TAG-IDENT (OPT ITEM 51B) (USED ON ITEMS 28A, 30A)	A-AM	1
-51B	315T4210-11		...TAG-IDENT (OPT ITEM 51A) (USED ON ITEMS 28A, 30A)	A-AM	1
54	315T4210-5		...CASCADE- (USED ON ITEMS 28, 28B)	A-D,G ,J,K, M,S,U ,W,X, AA AB,AE ,AF,A J,AL	1
-54A	315T3210-12		...CASCADE- (USED ON ITEM 28A)	A,B,J ,K	1
57	315T4210-6		...CASCADE- (USED ON ITEMS 30, 30B)	E,F,H ,L, N-R,T ,V,Y, Z,AC AD,AG ,AH,A K,AM	1
57A	315T3210-13		...CASCADE- (USED ON ITEM 30A)	E,F,N ,P	1

71-11-33

 ILLUSTRATED PARTS LIST
 01.1 Page 1028S
 Jul 01/04

FIG. & ITEM	PART NO.	AIRLINE PART NUMBER	NOMENCLATURE 1234567	EFF CODE	QTY PER ASSY
01-60	315T4210-3		..CASCADE ASSY-RADIAL FLOW (315T4210-3 WITH ITS ATTACHING PARTS I/W 315T3210-1 OR -8 T/W ITS ATTACHING PARTS)	C,D,G ,S,W, X,AJ	5
-60A	315T3210-8		..CASCADE ASSY-RADIAL FLOW (315T4210-3 WITH ITS ATTACHING PARTS I/W 315T3210-8 TOGETHER WITH ITS ATTACHING PARTS) (PRE SB 767-78-0020)	A,B	5
-60B	315T4210-3		..CASCADE ASSY-RADIAL FLOW (315T4210-3 WITH ITS ATTACHING PARTS I/W 315T3210-1 OR -8 T/W ITS ATTACHING PARTS) (OPT ITEMS 60C, 60D) (POST SB 767-78-0020)	A,B	5
-60C	315T4212-3		..CASCADE ASSY-RADIAL FLOW (315T4212-3 T/W ITS ATTACHING PARTS I/W 315T3212-3 OR -13 T/W ITS ATTACHING PARTS) (OPT ITEMS 60B, 60D) (POST SB 767-78-0020)	A,B	5
-60D	315T4212-4		..CASCADE ASSY-RADIAL FLOW (315T4212-4 WITH ITS ATTACHING PARTS I/W 315T3212-4 OR -14 T/W ITS ATTACHING PARTS) (OPT ITEMS 60B, 60C) (POST SB 767-78-0020)	A,B	5

71-11-33

 ILLUSTRATED PARTS LIST
 01.1 Page 1028T
 Jul 01/04


BOEING
 COMPONENT
 MAINTENANCE MANUAL

FIG. & ITEM	PART NO.	AIRLINE PART NUMBER	NOMENCLATURE 1234567	EFF CODE	QTY PER ASSY
01-63	315T4210-3		..CASCADE ASSY-RADIAL FLOW (315T4210-3 WITH ITS ATTACHING PARTS I/W 315T3210-1 OR -8 T/W ITS ATTACHING PARTS)	R,V,A C,AD, AG,AH ,AM	5
63A	315T3210-8		..CASCADE ASSY-RADIAL FLOW (315T4210-3 WITH ITS ATTACHING PARTS I/W 315T3210-8 TOGETHER WITH ITS ATTACHING PARTS) (PRE SB 767-78-0020)	N,P	5
-63B	315T4210-3		..CASCADE ASSY-RADIAL FLOW (315T4210-3 WITH ITS ATTACHING PARTS I/W 315T3210-1 OR -8 T/W ITS ATTACHING PARTS) (OPT ITEMS 63C, 63D) (POST SB 767-78-0020)	N,P	5
-63C	315T4212-3		..CASCADE ASSY-RADIAL FLOW (315T4212-3 T/W ITS ATTACHING PARTS I/W 315T3212-3 OR -13 T/W ITS ATTACHING PARTS) (OPT ITEMS 63B, 63D) (POST SB 767-78-0020)	N,P	5
-63D	315T4212-4		..CASCADE ASSY-RADIAL FLOW (315T4212-4 WITH ITS ATTACHING PARTS I/W 315T3212-4 OR -14 T/W ITS ATTACHING PARTS) (OPT ITEMS 63B, 63C) (POST SB 767-78-0020)	N,P	5

71-11-33

 ILLUSTRATED PARTS LIST
 01.1 Page 1028U
 Jul 01/04

FIG. & ITEM	PART NO.	AIRLINE PART NUMBER	NOMENCLATURE 1234567	EFF CODE	QTY PER ASSY
01-66	315T4210-3		..CASCADE ASSY-RADIAL FLOW (315T4210-3 WITH ITS ATTACHING PARTS I/W 315T3210-1 OR -8 T/W ITS ATTACHING PARTS)	M,U,A A,AB, AE,AF ,AL	1
-66A	315T3210-8		..CASCADE ASSY-RADIAL FLOW (315T4210-3 WITH ITS ATTACHING PARTS I/W 315T3210-8 TOGETHER WITH ITS ATTACHING PARTS) (PRE SB 767-78-0020)	J,K	1
-66B	315T4210-3		..CASCADE ASSY-RADIAL FLOW (315T4210-3 WITH ITS ATTACHING PARTS I/W 315T3210-1 OR -8 T/W ITS ATTACHING PARTS) (OPT ITEMS 66C, 66D) (POST SB 767-78-0020)	J,K	1
-66C	315T4212-3		..CASCADE ASSY-RADIAL FLOW (315T4212-3 T/W ITS ATTACHING PARTS I/W 315T3212-3 OR -13 T/W ITS ATTACHING PARTS) (OPT ITEMS 66B, 66D) (POST SB 767-78-0020)	J,K	1
-66D	315T4212-4		..CASCADE ASSY-RADIAL FLOW (315T4212-4 WITH ITS ATTACHING PARTS I/W 315T3212-4 OR -14 T/W ITS ATTACHING PARTS) (OPT ITEMS 66B, 66C) (POST SB 767-78-0020)	J,K	1
68	315T4210-3		..CASCADE ASSY-RADIAL FLOW (315T4210-3 WITH ITS ATTACHING PARTS I/W 315T3210-1 OR -8 T/W ITS ATTACHING PARTS)	H,L,Q ,T,Y, Z,AK	1

71-11-33

 ILLUSTRATED PARTS LIST
 01.1 Page 1028V
 Jul 01/04


BOEING
 COMPONENT
 MAINTENANCE MANUAL

FIG. & ITEM	PART NO.	AIRLINE PART NUMBER	NOMENCLATURE 1234567	EFF CODE	QTY PER ASSY
01-68A	315T3210-8		..CASCADE ASSY-RADIAL FLOW (315T4210-3 WITH ITS ATTACHING PARTS I/W 315T3210-8 TOGETHER WITH ITS ATTACHING PARTS) (PRE SB 767-78-0020)	E,F	1
-68B	315T4210-3		..CASCADE ASSY-RADIAL FLOW (315T4210-3 WITH ITS ATTACHING PARTS I/W 315T3210-1 OR -8 T/W ITS ATTACHING PARTS) (OPT ITEMS 68C, 68D) (POST SB 767-78-0020)	E,F	1
-68C	315T4212-3		..CASCADE ASSY-RADIAL FLOW (315T4212-3 T/W ITS ATTACHING PARTS I/W 315T3212-3 OR -13 T/W ITS ATTACHING PARTS) (OPT ITEMS 68B, 68D) (POST SB 767-78-0020)	E,F	1
-68D	315T4212-4		..CASCADE ASSY-RADIAL FLOW (315T4212-4 WITH ITS ATTACHING PARTS I/W 315T3212-4 OR -14 T/W ITS ATTACHING PARTS) (OPT ITEMS 68B, 68C) (POST SB 767-78-0020)	E,F	1
70	BACR15CE3B		...RIVET- (SIZE DETERMINE ON INST)	A-D,G ,N,P, R,S, V-X,A C,AD AG,AH ,AJ,A M	8
-70A	BACR15CE3B		...RIVET- (SIZE DETERMINE ON INST)	E,F, H-M,Q ,T,U, Y-AB, AE,AF AK,AL	8

71-11-33

ILLUSTRATED PARTS LIST

01.1 Page 1028W

Jul 01/04

FIG. & ITEM	PART NO.	AIRLINE PART NUMBER	NOMENCLATURE 1234567	EFF CODE	QTY PER ASSY
01-73	BRF100C4D		...NUTPLATE- (V52828) (SPEC BACN10KB4CFD) (OPT F51604-4 (V15653)) (OPT 102F9207P4 (V72962)) (OPT F51604-4 (V15653)) (USED ON ITEM 60, 60B, 60C, 60D, 63, 63B, 63C, 63D)	A-D,G ,N,P, R,S, V-X,A C,AD AG,AH ,AJ,A M	2
73A	BRF100C4D		...NUTPLATE- (V52828) (SPEC BACN10KB4CFD) (OPT F51604-4 (V15653)) (OPT 102F9207P4 (V72962)) (OPT F51604-4 (V15653)) (USED ON ITEMS 66, 66B, 66C, 66D, 68, 68B, 68C, 68D)	E,F, H-M,Q ,T,U, Y-AB, AE,AF AK,AL	2
76	315T4210-10		...SPACER-RADIUS FILLER (USED ON ITEMS 60, 60B, 60C, 60D, 63, 63B, 63C, 63D)	A-D,G ,N,P, R,S, V-X,A C,AD AG,AH ,AJ,A M	2
-76A	315T4210-10		...SPACER-RADIUS FILLER (USED ON ITEMS 66, 66B, 66C, 66D, 68, 68B, 68C, 68D)	E,F, H-M,Q ,T,U, Y-AB, AE,AF AK,AL	2

71-11-33

 ILLUSTRATED PARTS LIST
 01.1 Page 1028X
 Jul 01/04


BOEING
 COMPONENT
 MAINTENANCE MANUAL

FIG. & ITEM	PART NO.	AIRLINE PART NUMBER	NOMENCLATURE 1234567	EFF CODE	QTY PER ASSY
01-79	BRF200C4D		...NUTPLATE- (V52828) (SPEC BACN10JR4CFD) (OPT K51602-4BAC (V15653)) (OPT NS202476-048 (V80539)) (OPT 102F9201-4 (V72962)) (OPT T8092C428CD (V11815)) (USED ON ITEMS 60, 60B, 60C, 60D, 63, 63B, 63C, 63D)	A-D,G ,N,P, R,S, V-X,A C,AD AG,AH ,AJ,A M	2
-79A	BRF200C4D		...NUTPLATE- (V52828) (SPEC BACN10JR4CFD) (OPT K51602-4BAC (V15653)) (OPT NS202476-048 (V80539)) (OPT 102F9201-4 (V72962)) (OPT T8092C428CD (V11815)) (USED ON ITEMS 66, 66B, 66C, 66D, 68, 68B, 68C, 68D)	E,F, H-M,Q ,T,U, Y-AB, AE,AF AK,AL	2
82	315T4210-9		...SPACER-RADIUS FILLER (USED ON ITEMS 60, 60B, 60C, 60D, 63, 63B, 63C, 63D)	A-D,G ,N,P, R,S, V-X,A C,AD AG,AH ,AJ,A M	2
-82A	315T4210-9		...SPACER-RADIUS FILLER (USED ON ITEMS 66, 66B, 66C, 66D, 68, 68B, 68C, 68D)	E,F, H-M,Q ,T,U, Y-AB, AE,AF AK,AL	2
85	M13640-048		...NUTPLATE- (V80539) (USED ON ITEMS 60A, 63A)	A,B,N ,P	4

71-11-33

ILLUSTRATED PARTS LIST

01.1 Page 1028Y

Jul 01/04

FIG. & ITEM	PART NO.	AIRLINE PART NUMBER	NOMENCLATURE 1234567	EFF CODE	QTY PER ASSY
01- -85A	M13640-048		...NUTPLATE- (V80539) (USED ON ITEMS 66A, 68A)	E,F,J ,K	4
88	BACR15BB3B		...RIVET- (SIZE DETERMINE ON INST)	A-D,G ,N,P, R,S, V-X,A C,AD AG,AH ,AJ,A M	2
-88A	BACR15BB3B		...RIVET- (SIZE DETERMINE ON INST)	E,F, H-M,Q ,T,U, Y-AB, AE,AF AK,AL	2
91	69B97503-1		...TAG-IDENT (USED ON ITEMS 60A, 63A)	A,B,N ,P	1
-91A	69B97503-1		...TAG-IDENT (USED ON ITEMS 66A, 68A)	E,F,J ,K	1
-91B	69B97503-1		DELETED		
-91C	315T4210-11		DELETED		
-91D	69B97503-1		DELETED		
-91E	315T4210-11		DELETED		
-91F	315T4210-11		...TAG-IDENT (OPT ITEM 91G) (USED ON ITEMS 60, 60B, 60C, 60D, 63, 63B, 63C, 63D)	A-D,G ,N,P, R,S, V-X,A C,AD AG,AH ,AJ,A M	1
-91G	69B97503-1		...TAG-IDENT (OPT ITEM 91F) (USED ON ITEMS 60, 60B, 60C, 60D, 63, 63B, 63C, 63D)	A-D,G ,N,P, R,S, V-X,A C,AD AG,AH ,AJ,A M	1

71-11-33

 ILLUSTRATED PARTS LIST
 01.1 Page 1028Z
 Jul 01/04


BOEING
 COMPONENT
 MAINTENANCE MANUAL

FIG. & ITEM	PART NO.	AIRLINE PART NUMBER	NOMENCLATURE 1234567	EFF CODE	QTY PER ASSY
01- -91H	315T4210-11		...TAG-IDENT (OPT ITEM 91J) (USED ON ITEMS 66, 66B, 66C, 66D, 68, 68B, 68C, 68D)	E,F, H-M,Q ,T,U, Y-AB, AE,AF AK,AL	1
-91J	69B97503-1		...TAG-IDENT (OPT ITEM 91H) (USED ON ITEMS 66, 66B, 66C, 66D, 68, 68B, 68C, 68D)	E,F, H-M,Q ,T,U, Y-AB, AE,AF AK,AL	1
94	315T4210-7		...CASCADE- (USED ON ITEMS 60, 60B, 63, 63B)	A-D,G ,N,P, R,S, V-X,A C,AD AG,AH ,AJ,A M	1
94A	315T4210-7		...CASCADE- (USED ON ITEMS 66, 66B, 68, 68B)	E,F, H-M,Q ,T,U, Y-AB, AE,AF AK,AL	1
94B	315T3210-11		...CASCADE- (USED ON ITEMS 60A, 63A)	A,B,N ,P	1
94C	315T3210-11		...CASCADE- (USED ON ITEMS 66A, 68A)	E,F,J ,K	1
-94D	315T4212-7		...CASCADE- (USED ON ITEMS 60C, 63C)	A,B,N ,P	1
-94E	315T4212-7		...CASCADE- (USED ON ITEMS 66C, 68C)	E,F,J ,K	1
-94F	315T4212-8		...CASCADE- (USED ON ITEMS 60D, 63D)	A,B,N ,P	1
-94G	315T4212-8		...CASCADE- (USED ON ITEMS 66D, 68D)	E,F,J ,K	1
97	315T4212-3		..CASCADE ASSY-39.2 DEG SKEWED (315T4212-3 T/W ITS ATTACHING PARTS I/W 315T3212-3 OR -13 T/W ITS ATTACHING PARTS)	C,D,G ,S,W, X,AJ	2

71-11-33

ILLUSTRATED PARTS LIST

01.1

Page 1029

Jul 01/04

FIG. & ITEM	PART NO.	AIRLINE PART NUMBER	NOMENCLATURE 1234567	EFF CODE	QTY PER ASSY
01- -97A	315T3212-13		..CASCADE ASSY-39.2 DEG SKEWED (315T4212-3 WITH ITS ATTACHING PARTS I/W 315T3212-13 TOGETHER WITH ITS ATTACHING PARTS) (PRE SB 767-78-0020)	A,B	2
-97B	315T4212-3		..CASCADE ASSY-39.2 DEG SKEWED (315T4212-3 T/W ITS ATTACHING PARTS I/W 315T3212-3 OR -13 T/W ITS ATTACHING PARTS) (OPT ITEM 97C) (POST SB 767-78-0020)	A,B	2
-97C	315T4210-3		..CASCADE ASSY-39.2 DEG SKEWED (315T4210-3 WITH ITS ATTACHING PARTS I/W 315T3210-1 OR -8 T/W ITS ATTACHING PARTS) (OPT ITEM 97B) (POST SB 767-78-0020)	A,B	2
100	315T4212-4		..CASCADE ASSY-39.2 DEG SKEWED (315T4212-4 WITH ITS ATTACHING PARTS I/W 315T3212-4 OR -14 T/W ITS ATTACHING PARTS)	R,V,A C,AD, AG,AH ,AM	2
100A	315T3212-14		..CASCADE ASSY-39.2 DEG SKEWED (315T4212-4 WITH ITS ATTACHING PARTS I/W 315T3212-14 TOGETHER WITH ITS ATTACHING PARTS) (PRE SB 767-78-0020)	N,P	2

71-11-33

 ILLUSTRATED PARTS LIST
 01.1 Page 1030
 Jul 01/04


BOEING
 COMPONENT
 MAINTENANCE MANUAL

FIG. & ITEM	PART NO.	AIRLINE PART NUMBER	NOMENCLATURE 1234567	EFF CODE	QTY PER ASSY
01- -100B	315T4212-4		..CASCADE ASSY-39.2 DEG SKEWED (315T4212-4 WITH ITS ATTACHING PARTS I/W 315T3212-4 OR -14 T/W ITS ATTACHING PARTS) (OPT ITEM 100C) (POST SB 767-78-0020)	N,P	2
-100C	315T4210-3		..CASCADE ASSY-39.2 DEG SKEWED (315T4210-3 WITH ITS ATTACHING PARTS I/W 315T3210-1 OR -8 T/W ITS ATTACHING PARTS) (OPT ITEM 100B) (POST SB 767-78-0020)	N,P	2
103	315T4212-3		..CASCADE ASSY-39.2 DEG SKEWED (315T4212-3 T/W ITS ATTACHING PARTS I/W 315T3212-3 OR -13 T/W ITS ATTACHING PARTS)	M,U,A A,AB, AE,AF ,AL	1
-103A	315T3212-13		..CASCADE ASSY-39.2 DEG SKEWED (315T4212-3 WITH ITS ATTACHING PARTS I/W 315T3212-13 TOGETHER WITH ITS ATTACHING PARTS) (PRE SB 767-78-0020)	J,K	1
-103B	315T4212-3		..CASCADE ASSY-39.2 DEG SKEWED (315T4212-3 T/W ITS ATTACHING PARTS I/W 315T3212-3 OR -13 T/W ITS ATTACHING PARTS) (OPT ITEM 103C) (POST SB 767-78-0020)	J,K	1

71-11-33

 ILLUSTRATED PARTS LIST
 01.1 Page 1030A
 Jul 01/04

FIG. & ITEM	PART NO.	AIRLINE PART NUMBER	NOMENCLATURE 1234567	EFF CODE	QTY PER ASSY
01- -103C	315T4210-3		..CASCADE ASSY-39.2 DEG SKEWED (315T4210-3 WITH ITS ATTACHING PARTS I/W 315T3210-1 OR -8 T/W ITS ATTACHING PARTS) (OPT ITEM 103B) (POST SB 767-78-0020)	J,K	1
106	315T4212-4		..CASCADE ASSY-39.2 DEG SKEWED (315T4212-4 WITH ITS ATTACHING PARTS I/W 315T3212-4 OR -14 T/W ITS ATTACHING PARTS)	H,L,Q ,T,Y, Z,AK	1
106A	315T3212-14		..CASCADE ASSY-39.2 DEG SKEWED (315T4212-4 WITH ITS ATTACHING PARTS I/W 315T3212-14 TOGETHER WITH ITS ATTACHING PARTS) (PRE SB 767-78-0020)	E,F	1
-106B	315T4212-4		..CASCADE ASSY-39.2 DEG SKEWED (315T4212-4 WITH ITS ATTACHING PARTS I/W 315T3212-4 OR -14 T/W ITS ATTACHING PARTS) (OPT ITEM 106C) (POST SB 767-78-0020)	E,F	1
-106C	315T4210-3		..CASCADE ASSY-39.2 DEG SKEWED (315T4210-3 WITH ITS ATTACHING PARTS I/W 315T3210-1 OR -8 T/W ITS ATTACHING PARTS) (OPT ITEM 106B) (POST SB 767-78-0020)	E,F	1

71-11-33

 ILLUSTRATED PARTS LIST
 01.1 Page 1030B
 Jul 01/04


BOEING
 COMPONENT
 MAINTENANCE MANUAL

FIG. & ITEM	PART NO.	AIRLINE PART NUMBER	NOMENCLATURE 1234567	EFF CODE	QTY PER ASSY
01-109	BACR15CE3B		...RIVET- (SIZE DETERMINE ON INST) (USED ON ITEMS 97A, 100A)	A,B,N ,P	4
-109A	BACR15CE3B		...RIVET- (SIZE DETERMINE ON INST) (USED ON ITEMS 103A, 106A)	E,F,J ,K	4
112	M13640-048		...NUTPLATE- (V80539) (USED ON ITEMS 97A, 100A)	A,B,N ,P	2
-112A	M13640-048		...NUTPLATE- (V80539) (USED ON ITEMS 103A, 106A)	E,F,J ,K	2
115	BACR15CE3B		...RIVET- (SIZE DETERMINE ON INST) (USED ON ITEMS 97, 97B, 97C, 100, 100B, 100C)	A-D,G ,N,P, R,S, V-X,A C,AD AG,AH ,AJ,A M	8
-115A	BACR15CE3B		...RIVET- (SIZE DETERMINE ON INST) (USED ON ITEMS 103, 103B, 103C, 106, 106B, 106C)	E,F, H-M,Q ,T,U, Y-AB, AE,AF AK,AL	8

71-11-33

ILLUSTRATED PARTS LIST

01.1 Page 1030C

Jul 01/04

FIG. & ITEM	PART NO.	AIRLINE PART NUMBER	NOMENCLATURE 1234567	EFF CODE	QTY PER ASSY
01-118	BRF100C4D		...NUTPLATE- (V52828) (SPEC BACN10KB4CFD) (OPT F51604-4 (V15653)) (OPT 102F9207P4 (V72962)) (OPT F51604-4 (V15653)) (USED ON ITEMS 97, 97B, 97C, 100, 100B, 100C)	A-D,G ,N,P, R,S, V-X,A C,AD AG,AH ,AJ,A M	2
-118A	BRF100C4D		...NUTPLATE- (V52828) (SPEC BACN10KB4CFD) (OPT F51604-4 (V15653)) (OPT 102F9207P4 (V72962)) (OPT F51604-4 (V15653)) (USED ON ITEMS 103, 103B, 103C, 106, 106B, 106C)	E,F, H-M,Q ,T,U, Y-AB, AE,AF AK,AL	2
121	315T4210-10		...SPACER-RADIUS FILLER (USED ON ITEMS 97, 97B, 97C, 100, 100B, 100C)	A-D,G ,N,P, R,S, V-X,A C,AD AG,AH ,AJ,A M	2
-121A	315T4210-10		...SPACER-RADIUS FILLER (USED ON ITEMS 103, 103B, 103C, 106, 106B, 106C)	E,F, H-M,Q ,T,U, Y-AB, AE,AF AK,AL	2

71-11-33

 ILLUSTRATED PARTS LIST
 01.1 Page 1030D
 Jul 01/04


BOEING
 COMPONENT
 MAINTENANCE MANUAL

FIG. & ITEM	PART NO.	AIRLINE PART NUMBER	NOMENCLATURE 1234567	EFF CODE	QTY PER ASSY
01-124	BRF200C4D		...NUTPLATE- (V52828) (SPEC BACN10JR4CFD) (OPT K51602-4BAC (V15653)) (OPT NS202476-048 (V80539)) (OPT 102F9201-4 (V72962)) (OPT T8092C428CD (V11815)) (USED ON ITEMS 97, 97B, 97C, 100, 100B, 100C)	A-D,G ,N,P, R,S, V-X,A C,AD AG,AH ,AJ,A M	2
-124A	BRF200C4D		...NUTPLATE- (V52828) (SPEC BACN10JR4CFD) (OPT K51602-4BAC (V15653)) (OPT NS202476-048 (V80539)) (OPT 102F9201-4 (V72962)) (OPT T8092C428CD (V11815)) (USED ON ITEMS 103, 103B, 103C, 106, 106B, 106C)	E,F, H-M,Q ,T,U, Y-AB, AE,AF AK,AL	2
127	315T4210-9		...SPACER-RADIUS FILLER (USED ON ITEMS 97, 97B, 97C, 100, 100B, 100C)	A-D,G ,N,P, R,S, V-X,A C,AD AG,AH ,AJ,A M	2
-127A	315T4210-9		...SPACER-RADIUS FILLER (USED ON ITEMS 103, 103B, 103C, 106, 106B, 106C)	E,F, H-M,Q ,T,U, Y-AB, AE,AF AK,AL	2

71-11-33

ILLUSTRATED PARTS LIST

01.1 Page 1030E

Jul 01/04

FIG. & ITEM	PART NO.	AIRLINE PART NUMBER	NOMENCLATURE 1234567	EFF CODE	QTY PER ASSY
01-130	BACR15BB3B		...RIVET- (SIZE DETERMINE ON INST)	A-D,G ,N,P, R,S, V-X,A C,AD AG,AH ,AJ,A M	2
-130A	BACR15BB3B		...RIVET- (SIZE DETERMINE ON INST)	E,F, H-M,Q ,T,U, Y-AB, AE,AF AK,AL	2
133	69B97503-1		...TAG-IDENT (USED ON ITEMS 97A, 100A)	A,B,N ,P	1
-133A	69B97503-1		...TAG-IDENT (USED ON ITEMS 103A, 106A)	E,F,J ,K	1
-133B	69B97503-1		DELETED		
-133C	315T4210-11		DELETED		
-133D	69B97503-1		DELETED		
-133E	315T4210-11		DELETED		
-133F	315T4210-11		...TAG-IDENT (OPT ITEM 133G) (USED ON ITEMS 97, 97B, 97C, 100, 100B, 100C)	A,B,N ,P	1
-133G	69B97503-1		...TAG-IDENT (OPT ITEM 133F) (USED ON ITEMS 97, 97B, 97C, 100, 100B, 100C)	A,B,N ,P	1
-133H	315T4210-11		...TAG-IDENT (OPT ITEM 133J) (USED ON ITEMS 103, 103B, 103C, 106, 106B, 106C)	E,F,N ,P	1
-133J	69B97503-1		...TAG-IDENT (OPT ITEM 133H) (USED ON ITEMS 103, 103B, 103C, 106, 106B, 106C)	E,F,N ,P	1

71-11-33

 ILLUSTRATED PARTS LIST
 01.1 Page 1030F
 Jul 01/04


BOEING
 COMPONENT
 MAINTENANCE MANUAL

FIG. & ITEM	PART NO.	AIRLINE PART NUMBER	NOMENCLATURE 1234567	EFF CODE	QTY PER ASSY
01-136	315T4212-7		...CASCADE- (USED ON ITEMS 97, 97B)	A-D,G ,S,W, X,AJ	1
136A	315T4212-7		...CASCADE- (USED ON ITEMS 103, 103B)	J,K,M ,U,AA ,AB,A E,AF, AL	1
136B	315T4212-8		...CASCADE- (USED ON ITEMS 100, 100B)	N,P,R ,V,AC ,AD,A G,AH, AM	1
136C	315T4212-8		...CASCADE- (USED ON ITEMS 106, 106B)	E,F,H ,L,Q, T,Y,Z ,AK	1
136D	315T3212-18		...CASCADE- (USED ON ITEM 100A)	N,P	1
136E	315T3212-18		...CASCADE- (USED ON ITEMS 106A)	E,F	1
136F	315T3212-17		...CASCADE- (USED ON ITEM 97A)	A,B	1
136G	315T3212-17		...CASCADE- (USED ON ITEM 103A)	J,K	1
-136H	315T4210-7		...CASCADE- (USED ON ITEMS 97C, 103C)	A,B,J ,K	1
-136J	315T4210-7		...CASCADE- (USED ON ITEMS 100C, 106C)	E,F,N ,P	1

71-11-33

 ILLUSTRATED PARTS LIST
 01.1 Page 1030G
 Jul 01/04

FIG. & ITEM	PART NO.	AIRLINE PART NUMBER	NOMENCLATURE 1234567	EFF CODE	QTY PER ASSY
01-139	315T4212-1		..CASCADE ASSY-39.2 DEG SKEWED (315T4212-1 WITH ITS ATTACHING PARTS I/W 315T3212-1 OR -11 T/W ITS ATTACHING PARTS)	C,D,G ,S,W, X,AJ	1
-139A	315T3212-11		..CASCADE ASSY-39.2 DEG SKEWED (315T4212-1 WITH ITS ATTACHING PARTS I/W 315T3212-11 TOGETHER WITH ITS ATTACHING PARTS) (PRE SB 767-78-0020)	A,B	1
-139B	315T4212-1		..CASCADE ASSY-39.2 DEG SKEWED (POST SB 767-78-0020)	A,B	1
142	315T4212-2		..CASCADE ASSY-39.2 DEG SKEWED (315T4212-2 WITH ITS ATTACHING PARTS I/W 315T3212-2 OR -12 T/W ITS ATTACHING PARTS)	R,V,A C,AD, AG,AH ,AM	1
142A	315T3212-12		..CASCADE ASSY-39.2 DEG SKEWED (315T4212-2 WITH ITS ATTACHING PARTS I/W 315T3212-12 TOGETHER WITH ITS ATTACHING PARTS) (PRE SB 767-78-0020)	N,P	1
-142B	315T4212-2		..CASCADE ASSY-39.2 DEG SKEWED (15T4212-2 T/W ITS ATTACHING PARTS I/W 315T3212-2 T/W ITS ATTACHING PARTS) (POST SB 767-78-0020)	N,P	1

71-11-33

 ILLUSTRATED PARTS LIST
 01.1 Page 1030H
 Jul 01/04


BOEING
 COMPONENT
 MAINTENANCE MANUAL

FIG. & ITEM	PART NO.	AIRLINE PART NUMBER	NOMENCLATURE 1234567	EFF CODE	QTY PER ASSY
01-145	BACR15CE3B		...RIVET- (SIZE DETERMINE ON INST) (USED ON ITEMS 139A, 142A)	A,B,N ,P	4
148	M13640-048		...NUTPLATE- (V80539) (USED ON ITEMS 139A, 142A)	A,B,N ,P	2
151	BACR15CE3B		...RIVET- (SIZE DETERMINE ON INST) (USED ON ITEMS 139, 139B, 142, 142B)	A-D,G ,N,P, R,S, V-X,A C,AD AG,AH ,AJ,A M	8
154	BRF100C4D		...NUTPLATE- (V52828) (SPEC BACN10KB4CFD) (OPT F51604-4 (V15653)) (OPT 102F9207P4 (V72962)) (OPT F51604-4 (V15653)) (USED ON ITEMS 139, 139B, 142, 142B)	A-D,G ,N,P, R,S, V-X,A C,AD AG,AH ,AJ,A M	2
157	315T4210-10		...SPACER-RADIUS FILLER (USED ON ITEMS 139, 139B, 142, 142B)	A-D,G ,N,P, R,S, V-X,A C,AD AG,AH ,AJ,A M	2

71-11-33

ILLUSTRATED PARTS LIST

01.1 Page 1030I

Jul 01/04

FIG. & ITEM	PART NO.	AIRLINE PART NUMBER	NOMENCLATURE 1234567	EFF CODE	QTY PER ASSY
01-160	BRF200C4D		...NUTPLATE- (V52828) (SPEC BACN10JR4CFD) (OPT K51602-4BAC (V15653)) (OPT NS202476-048 (V80539)) (OPT 102F9201-4 (V72962)) (OPT T8092C428CD (V11815)) (USED ON ITEMS 139, 139B, 142, 142B)	A-D,G ,N,P, R,S, V-X,A C,AD AG,AH ,AJ,A M	2
163	315T4210-9		...SPACER-RADIUS FILLER (USED ON ITEMS 139, 139B, 142, 142B)	A-D,G ,N,P, R,S, V-X,A C,AD AG,AH ,AJ,A M	2
166	BACR15BB3B		...RIVET- (SIZE DETERMINE ON INST)	A-D,G ,N,P, R,S, V-X,A C,AD AG,AH ,AJ,A M	2

71-11-33

ILLUSTRATED PARTS LIST

01.1 Page 1030J

Jul 01/04


BOEING
 COMPONENT
 MAINTENANCE MANUAL

FIG. & ITEM	PART NO.	AIRLINE PART NUMBER	NOMENCLATURE 1234567	EFF CODE	QTY PER ASSY
01-169	69B97503-1		...TAG-IDENT (USED ON ITEMS 139A, 142A)	A,B,N ,P	1
-169A	69B97503-1		...TAG-IDENT (OPT ITEM 169B) (USED ON ITEMS 139, 139B, 142, 142B)	A-D,G ,N,P, S,V-X ,AC,A D AG,AH ,AJ,A M	1
-169B	315T4210-11		...TAG-IDENT (OPT ITEM 169A) (USED ON ITEMS 139, 139B, 142, 142B)	A-D,G ,N,P, S,V-X ,AC,A D AG,AH ,AJ,A M	1
172	315T4212-5		...CASCADE- (USED ON ITEMS 139, 139B)	A-D,G ,S,W, X,AJ	1
172A	315T4212-6		...CASCADE- (USED ON ITEMS 142, 142B)	N,P,R ,V,AG ,AH,A M	1
172B	315T3212-16		...CASCADE- (USED ON ITEM 142A)	N,P	1
172C	315T3212-15		...CASCADE- (USED ON ITEM 139A)	A,B	1

71-11-33

ILLUSTRATED PARTS LIST

01.1 Page 1030K

Jul 01/04

FIG. & ITEM	PART NO.	AIRLINE PART NUMBER	NOMENCLATURE 1234567	EFF CODE	QTY PER ASSY
01-175	315T3259-7		..CASCADE ASSY-58.25 DEG CURVED STRONGBACK (315T4259-1 WITH ITS ATTACHING PARTS I/W 315T3259-7 TOGETHER WITH ITS ATTACHING PARTS) (PRE SB 767-78-0020)	E,F	2
175A	315T4259-1		..CASCADE ASSY-58.25 DEG CURVED STRONGBACK (315T4259-1 WITH ITS ATTACHING PARTS I/W 315T3259-7 T/W ITS ATTACHING PARTS) (PRE SB 767-78-0069)	H,L,Q,T,Y,Z,AK	2
-175B	315T4259-1		..CASCADE ASSY-58.25 DEG CURVED STRONGBACK (315T4259-1 WITH ITS ATTACHING PARTS I/W 315T4259-7 T/W ITS ATTACHING PARTS) (POST SB 767-78-0020) (PRE SB 767-78-0069)	E,F	2
-175C	315T4259-7		..CASCADE ASSY-58.25 DEG CURVED STRONGBACK (POST SB 767-78-0069)	E,F,H,L,Q,T,Y,Z,AK	2
178	315T4259-2		..CASCADE ASSY-58.25 DEG CURVED STRONGBACK (315T4259-2 WITH ITS ATTACHING PARTS I/W 315T3259-8 OR -2 T/W ITS ATTACHING PARTS) (PRE SB 767-78-0069)	M,U,A,A,AB,AE,AF,AL	2

71-11-33

 ILLUSTRATED PARTS LIST
 01.1 Page 1030L
 Jul 01/04


BOEING
 COMPONENT
 MAINTENANCE MANUAL

FIG. & ITEM	PART NO.	AIRLINE PART NUMBER	NOMENCLATURE 1234567	EFF CODE	QTY PER ASSY
01- -178A	315T3259-8		..CASCADE ASSY-58.25 DEG CURVED STRONGBACK (315T4259-2 WITH ITS ATTACHING PARTS I/W 315T3259-8 TOGETHER WITH ITS ATTACHING PARTS) (PRE SB 767-78-0020)	J,K	2
-178B	315T4259-2		..CASCADE ASSY-58.25 DEG CURVED STRONGBACK (POST SB 767-78-0020) (PRE SB 767-78-0069)	J,K	2
-178C	315T4259-8		..CASCADE ASSY-58.25 DEG CURVED STRONGBACK (POST SB 767-78-0069)	J,K,M ,U,AA ,AB,A ,E,AF, ,AL	2
181	BACR15CE3B		...RIVET- (SIZE DETERMINE ON INST)	E,F, H-M,Q ,T,U, Y-AB, AE,AF AK,AL	8
184	M13640-048		...NUTPLATE- (V80539) (USED ON ITEMS 175, 178A)	E,F,J ,K	4
187	BRF100C4D		...NUTPLATE- (V52828) (SPEC BACN10KB4CFD) (OPT F51604-4 (V15653)) (OPT 102F9207P4 (V72962)) (OPT F51604-4 (V15653)) (USED ON ITEMS 175A, 175B, 175C, 178, 178B, 178C)	E,F, H-M,Q ,T,U, Y-AB, AE,AF AK,AL	2

71-11-33

ILLUSTRATED PARTS LIST

01.1 Page 1030M

Jul 01/04

FIG. & ITEM	PART NO.	AIRLINE PART NUMBER	NOMENCLATURE 1234567	EFF CODE	QTY PER ASSY
01-190	315T4210-10		...SPACER-RADIUS FILLER (USED ON ITEMS 175A, 175B, 175C, 178, 178B, 178C)	E,F, H-M,Q ,T,U, Y-AB, AE,AF AK,AL	2
193	BRF200C4D		...NUTPLATE- (V52828) (SPEC BACN10JR4CFD) (OPT K51602-4BAC (V15653)) (OPT NS202476-048 (V80539)) (OPT 102F9201-4 (V72962)) (OPT T8092C428CD (V11815)) (USED ON ITEMS 175A, 175B, 175C, 178, 178B, 178C)	E,F, H-M,Q ,T,U, Y-AB, AE,AF AK,AL	2
196	315T4210-9		...SPACER-RADIUS FILLER (USED ON ITEMS 175A, 175B, 175C, 178, 178B, 178C)	E,F, H-M,Q ,T,U, Y-AB, AE,AF AK,AL	2
199	BACR15BB3B		...RIVET- (SIZE DETERMINE ON INST)	E,F, H-M,Q ,T,U, Y-AB, AE,AF AK,AL	2

71-11-33

 ILLUSTRATED PARTS LIST
 01.1 Page 1030N
 Jul 01/04


BOEING
 COMPONENT
 MAINTENANCE MANUAL

FIG. & ITEM	PART NO.	AIRLINE PART NUMBER	NOMENCLATURE 1234567	EFF CODE	QTY PER ASSY
01-202	69B97503-1		...TAG-IDENT	E,F, H-M,Q ,T,U, Y-AB, AE,AF AK,AL	1
205	315T3259-9		...CASCADE- (USED ON ITEM 175)	E,F	1
205A	315T4259-3		...CASCADE- (USED ON ITEMS 175A, 175B, 175C)	E,F,H ,L,Q, T,Y,Z ,AK	1
205B	315T4259-4		...CASCADE- (USED ON ITEMS 178, 178B, 178C)	J,K,M ,U,AA ,AB,A E,AF, AL	1
205C	315T3259-10		...CASCADE- (USED ON ITEM 178A)	J,K	1
208	315T3262-4		..CASCADE ASSY-90 DEG RADIAL FLOW (315T4262-1 WITH ITS ATTACHING PARTS I/W 315T3262-4 TOGETHER WITH ITS ATTACHING PARTS) (PRE SB 767-78-0020)	E,F	2
208A	315T4262-1		..CASCADE ASSY-RADIAL SPOILED FLOW (315T4262-1 WITH ITS ATTACHING PARTS I/W 315T3262-4 OR -1 T/W ITS ATTACHING PARTS)	H,L,Q ,T,Y, Z,AK	2
-208B	315T4262-1		..CASCADE ASSY-RADIAL SPOILED FLOW (315T4262-1 WITH ITS ATTACHING PARTS I/W 315T3262-4 OR -1 T/W ITS ATTACHING PARTS) (POST SB 767-78-0020)	E,F	2

71-11-33

 ILLUSTRATED PARTS LIST
 01.1 Page 10300
 Jul 01/04

FIG. & ITEM	PART NO.	AIRLINE PART NUMBER	NOMENCLATURE 1234567	EFF CODE	QTY PER ASSY
01-211	315T4262-1		..CASCADE ASSY-RADIAL SPOILED FLOW (315T4262-1 WITH ITS ATTACHING PARTS I/W 315T3262-4 OR -1 T/W ITS ATTACHING PARTS)	M,U,A A,AB, AE,AF ,AL	2
-211A	315T3262-4		..CASCADE ASSY-90 DEG RADIAL FLOW (315T4262-1 WITH ITS ATTACHING PARTS I/W 315T3262-4 TOGETHER WITH ITS ATTACHING PARTS) (PRE SB 767-78-0020)	J,K	2
-211B	315T4262-1		..CASCADE ASSY-RADIAL SPOILED FLOW (315T4262-1 WITH ITS ATTACHING PARTS I/W 315T3262-4 OR -1 T/W ITS ATTACHING PARTS) (POST SB 767-78-0020)	J,K	2
214	BACR15CE3B		...RIVET- (SIZE DETERMINE ON INST)	E,F, H-M,Q ,T,U, Y-AB, AE,AF AK,AL	8
217	M13640-048		...NUTPLATE- (V80539) (USED ON ITEMS 208, 211A)	E,F,J ,K	4
220	BRF100C4D		...NUTPLATE- (V52828) (SPEC BACN10KB4CFD) (OPT F51604-4 (V15653)) (OPT 102F9207P4 (V72962)) (OPT F51604-4 (V15653)) (USED ON ITEMS 208A, 208B, 211, 211B)	E,F, H-M,Q ,T,U, Y-AB, AE,AF AK,AL	2

71-11-33

 ILLUSTRATED PARTS LIST
 01.1 Page 1030P
 Jul 01/04


BOEING
 COMPONENT
 MAINTENANCE MANUAL

FIG. & ITEM	PART NO.	AIRLINE PART NUMBER	NOMENCLATURE 1234567	EFF CODE	QTY PER ASSY
01-223	315T4210-10		...SPACER-RADIUS FILLER (USED ON ITEMS 208A, 208B, 211, 211B)	E,F, H-M,Q ,T,U, Y-AB, AE,AF AK,AL	2
226	BRF200C4D		...NUTPLATE- (V52828) (SPEC BACN10JR4CFD) (OPT K51602-4BAC (V15653)) (OPT NS202476-048 (V80539)) (OPT 102F9201-4 (V72962)) (OPT T8092C428CD (V11815)) (USED ON ITEMS 208A, 208B, 211, 211B)	E,F, H-M,Q ,T,U, Y-AB, AE,AF AK,AL	2
229	315T4210-9		...SPACER-RADIUS FILLER (USED ON ITEMS 208A, 208B, 211, 211B)	E,F, H-M,Q ,T,U, Y-AB, AE,AF AK,AL	2
232	BACR15BB3B		...RIVET- (SIZE DETERMINE ON INST)	E,F, H-M,Q ,T,U, Y-AB, AE,AF AK,AL	2

71-11-33

ILLUSTRATED PARTS LIST

01.1 Page 1030Q

Jul 01/04

FIG. & ITEM	PART NO.	AIRLINE PART NUMBER	NOMENCLATURE 1234567	EFF CODE	QTY PER ASSY
01-235	69B97503-1		...TAG-IDENT	E,F, H-M,Q ,T,U, Y-AB, AE,AF AK,AL	1
238	315T3262-5		...CASCADE- (USED ON ITEMS 208, 211A)	E,F,J ,K	1
238A	315T4262-2		...CASCADE- (USED ON ITEMS 208A, 208B, 211, 211B)	E,F, H-M,Q ,T,U, Y-AB, AE,AF AK,AL	1
241	315T3214-7		..CASCADE ASSY-CURVED STRONGBACK (315T4214-3 TOGETHER WITH ITS ATTACHING PARTS I/W 315T3214-7 TOGETHER WITH ITS ATTACHING PARTS IN POSITION NO. 15 ONLY) (PRE SB 767-78-0020)	E,F	1
241A	315T4214-3		..CASCADE ASSY-SPOILED 44 DEG CURVED STRONGBACK (315T4214-3 WITH ITS ATTACHING PARTS I/W 315T3214-7 OR -1 T/W ITS ATTACHING PARTS IN POSITION NO. 15 ONLY)	H,L,Q ,T,Y, Z,AK	1
-241B	315T4214-3		..CASCADE ASSY-SPOILED 44 DEG CURVED STRONGBACK (OPT ITEM 241C) (POST SB 767-78-0020)	E,F	1
-241C	315T4214-1		..CASCADE ASSY-SPOILED 44 DEG CURVED STRONGBACK (OPT ITEM 241B) (POST SB 767-78-0020)	E,F	1

71-11-33

 ILLUSTRATED PARTS LIST
 01.1 Page 1030R
 Jul 01/04


BOEING
 COMPONENT
 MAINTENANCE MANUAL

FIG. & ITEM	PART NO.	AIRLINE PART NUMBER	NOMENCLATURE 1234567	EFF CODE	QTY PER ASSY
01-244	315T4214-4		..CASCADE ASSY-SPOILED 44 DEG CURVED STRONGBACK (315T4214-4 WITH ITS ATTACHING PARTS I/W 315T3214-8 OR -2 T/W ITS ATTACHING PARTS IN POSITION NO. 24 ONLY)	M,U,A A,AB, AE,AF ,AL	1
-244A	315T3214-8		..CASCADE ASSY-CURVED STRONGBACK (315T4214-4 TOGETHER WITH ITS ATTACHING PARTS I/W 315T3214-8 TOGETHER WITH ITS ATTACHING PARTS AT POSITION NO. 24 ONLY) (I315T4214-2 WITH ITS ATTACHING PARTS I/W 315T3214-8 OR -2 T/W ITS ATTACHING PARTS IN POSITION NO 18 ONLY) (PRE SB 767-78-0020)	J,K	1
-244B	315T4214-2		..CASCADE ASSY-SPOILED 44 DEG CURVED STRONGBACK (315T4214-2 WITH ITS ATTACHING PARTS I/W 315T3214-8 OR -2 T/W ITS ATTACHING PARTS IN POSITION NO 18 ONLY) (OPT ITEM 244C) (POST SB 767-78-0020)	J,K	1
-244C	315T4214-4		..CASCADE ASSY-SPOILED 44 DEG CURVED STRONGBACK (OPT ITEM 244B) (POST SB 767-78-0020)	J,K	1

71-11-33

 ILLUSTRATED PARTS LIST
 01.1 Page 1030S
 Jul 01/04

FIG. & ITEM	PART NO.	AIRLINE PART NUMBER	NOMENCLATURE 1234567	EFF CODE	QTY PER ASSY
01-247	315T3214-8		..CASCADE ASSY-CURVED STRONGBACK (315T4214-2 TOGETHER WITH ITS ATTACHING PARTS I/W 315T3214-8 TOGETHER WITH ITS ATTACHING PARTS IN POSITION NO. 18 ONLY) (PRE SB 767-78-0020)	E,F	1
247A	315T4214-2		..CASCADE ASSY-SPOILED 44 DEG CURVED STRONGBACK (315T4214-2 WITH ITS ATTACHING PARTS I/W 315T3214-8 OR -2 T/W ITS ATTACHING PARTS AT POSITION NO. 18 ONLY)	H,L,Q ,T,Y, Z,AK	1
-247B	315T4214-2		..CASCADE ASSY-SPOILED 44 DEG CURVED STRONGBACK (315T4214-2 WITH ITS ATTACHING PARTS I/W 315T3214-8 OR -2 T/W ITS ATTACHING PARTS IN POSITION NO 18 ONLY) (OPT ITEM 247C) (POST SB 767-78-0020)	E,F	1
-247C	315T4214-4		..CASCADE ASSY-SPOILED 44 DEG CURVED STRONGBACK (OPT ITEM 247B) (POST SB 767-78-0020)	E,F	1

71-11-33

 ILLUSTRATED PARTS LIST
 01.1 Page 1030T
 Jul 01/04


BOEING
 COMPONENT
 MAINTENANCE MANUAL

FIG. & ITEM	PART NO.	AIRLINE PART NUMBER	NOMENCLATURE 1234567	EFF CODE	QTY PER ASSY
01-250	315T4214-1		..CASCADE ASSY-SPOILED 44 DEG CURVED STRONGBACK (315T4214-1 TOGETHER WITH ITS ATTACHING PARTS I/W 315T3214-7 OR -1 T/W ITS ATTACHING PARTS IN POSITION NO. 27 ONLY)	M,U,A A,AB, AE,AF ,AL	1
-250A	315T3214-7		..CASCADE ASSY-CURVED STRONGBACK (315T4214-1 TOGETHER WITH ITS ATTACHING PARTS I/W 315T3214-7 TOGETHER WITH ITS ATTACHING PARTS IN POSITION NO. 27 ONLY) (315T4214-3 WITH ITS ATTACHING PARTS I/W 315T3214-7 OR -1 T/W ITS ATTACHING PARTS IN POSITION NO 15 ONLY) (PRE SB 767-78-0020)	J,K	1
-250B	315T4214-3		..CASCADE ASSY-SPOILED 44 DEG CURVED STRONGBACK (315T4214-3 WITH ITS ATTACHING PARTS I/W 315T3214-7 OR -1 T/W ITS ATTACHING PARTS IN POSITION NO 15 ONLY) (OPT ITEM 250C) (POST SB 767-78-0020)	J,K	1

71-11-33

 ILLUSTRATED PARTS LIST
 01.1 Page 1030U
 Jul 01/04

FIG. & ITEM	PART NO.	AIRLINE PART NUMBER	NOMENCLATURE 1234567	EFF CODE	QTY PER ASSY
01- -250C	315T4214-1		..CASCADE ASSY-SPOILED 44 DEG CURVED STRONGBACK (OPT ITEM 250B) (POST SB 767-78-0020)	J,K	1
253	BACR15CE3B		...RIVET- (SIZE DETERMINE ON INST)	E,F, H-M,Q ,T,U, Y-AB, AE,AF AK,AL	8
256	M13640-048		...NUTPLATE- (V80539) (USED ON ITEMS 241, 244A, 247, 250A)	E,F,J ,K	4
259	BRF100C4D		...NUTPLATE- (V52828) (SPEC BACN10KB4CFD) (OPT F51604-4 (V15653)) (OPT 102F9207P4 (V72962)) (OPT F51604-4 (V15653)) (USED ON ITEMS 241A, 241B, 241C, 244, 244B, 244C, 247A, 247B, 247C, 250, 250B, 250C)	E,F, H-M,Q ,T,U, Y-AB, AE,AF AK,AL	2
262	315T4210-10		...SPACER-RADIUS FILLER (USED ON ITEMS 241A, 241B, 241C, 244, 244B, 244C, 247A, 247B, 247C, 250, 250B, 250C)	E,F, H-M,Q ,T,U, Y-AB, AE,AF AK,AL	2

71-11-33

 ILLUSTRATED PARTS LIST
 01.1 Page 1030V
 Jul 01/04


BOEING
 COMPONENT
 MAINTENANCE MANUAL

FIG. & ITEM	PART NO.	AIRLINE PART NUMBER	NOMENCLATURE 1234567	EFF CODE	QTY PER ASSY
01-265	BRF200C4D		...NUTPLATE- (V52828) (SPEC BACN10JR4CFD) (OPT K51602-4BAC (V15653)) (OPT NS202476-048 (V80539)) (OPT 102F9201-4 (V72962)) (OPT T8092C428CD (V11815)) (USED ON ITEMS 241A, 241B, 241C, 244, 244B, 244C, 247A, 247B, 247C, 250, 250B, 250C)	E,F, H-M,Q ,T,U, Y-AB, AE,AF AK,AL	2
268	315T4210-9		...SPACER-RADIUS FILLER (USED ON ITEMS 241A, 241B, 241C, 244, 244B, 244C, 247A, 247B, 247C, 250, 250B, 250C)	E,F, H-M,Q ,T,U, Y-AB, AE,AF AK,AL	2
271	BACR15BB3B		...RIVET- (SIZE DETERMINE ON INST)	E,F, H-M,Q ,T,U, Y-AB, AE,AF AK,AL	2
274	69B97503-1		...TAG-IDENT	E,F, H-M,Q ,T,U, Y-AB, AE,AF AK,AL	1

71-11-33

ILLUSTRATED PARTS LIST

01.1 Page 1030W

Jul 01/04

FIG. & ITEM	PART NO.	AIRLINE PART NUMBER	NOMENCLATURE 1234567	EFF CODE	QTY PER ASSY
01-277	315T3214-9		...CASCADE- (USED ON ITEMS 241, 250A)	E,F,J ,K	1
277A	315T4214-7		...CASCADE- (USED ON ITEMS 241A, 241B, 250B)	E,F, H-L,Q ,T,Y, Z,AK	1
277B	315T4214-8		...CASCADE- (USED ON ITEMS 244, 244C, 247C)	E,F,J ,K,M, U,AA, AB,AE ,AF AL	1
280	315T3214-10		...CASCADE- (USED ON ITEMS 244A, 247)	E,F,J ,K	1
280A	315T4214-6		...CASCADE- (USED ON ITEMS 244B, 247A, 247B)	E,F, H-L,Q ,T,Y, Z,AK	1
280B	315T4214-5		...CASCADE- (USED ON ITEMS 241C 250, 250C)	E,F,J ,K,M, U,AA, AB,AE ,AF AL	1
281	315T3400-209		..BIFURCATION ASSY-LWR (FOR DETAILS SEE FIG. 7)	A,B,D ,J,K, M,AJ, AL	1
-281A	315T3400-273		..BIFURCATION ASSY-LWR (FOR DETAILS SEE FIG. 7)	C,G,S ,U,W, X,AA, AB,AE ,AF	1

71-11-33

 ILLUSTRATED PARTS LIST
 01.1 Page 1030X
 Jul 01/04


BOEING
 COMPONENT
 MAINTENANCE MANUAL

FIG. & ITEM	PART NO.	AIRLINE PART NUMBER	NOMENCLATURE 1234567	EFF CODE	QTY PER ASSY
01-282	MS20427M4C		..RIVET- (SIZE DETERMINE ON INST)	G,Q,W ,Y,AA ,AC,A F,AH	2
282L	315T3002-137		..STRIP-RUB	G,W,A A,AF	1
-282P	315T3002-138		..STRIP-RUB	Q,Y,A C,AH	1
283	315T3007-4		..FAIRING-FILLET	Q,Y,A C,AH	1
-283A	315T3007-12		..FAIRING-FILLET	E,F,H ,L,N P,R,T ,V,Z AD,AG AK,AM	1
284	MS20427M6C10		..RIVET- (OPT ITEM 284A)	G,Q,W ,Y,AA ,AC,A F,AH	1
-284A	CSR924-6-9		..RIVET- (V05693) (OPT ITEM 284)	G,Q,W ,Y,AA ,AC,A F,AH	1
284M	CSR924-5-7R		..RIVET- (V05693)	G,Q,W ,Y,AA ,AC,A F,AH	1
284R	MS20427M6C8		..RIVET- (OPT ITEM 284S)	G,Q,W ,Y,AA ,AC,A F,AH	2
-284S	CSR924-6-6		..RIVET- (V05693) (OPT ITEM 284R)	G,Q,W ,Y,AA ,AC,A F,AH	2

71-11-33

ILLUSTRATED PARTS LIST

01.1 Page 1030Y

Jul 01/04

FIG. & ITEM	PART NO.	AIRLINE PART NUMBER	NOMENCLATURE 1234567	EFF CODE	QTY PER ASSY
01-285	BACS40R004F041F		..SHIM	G,Q,W ,Y,AA ,AC,A F,AH	1
285M	315T3002-141		..FILLER	G,Q,W ,Y,AA ,AC,A F,AH	1
-286	315T3128-17		..SYSTEM INSTL-ZONE VENTILATION (FOR DETAILS SEE FIG. 2)	B-D,G ,K,M S,U,W ,X,AA ,AB AE,AF ,AJ,A L	1
287	MS20427M4C		..RIVET- (SIZE DETERMINE ON INST)	C,L,X ,Z,AB ,AD,A E,AG	1
287J	CSR924-5-7		..RIVET- (V05693)	C,X,A B,AE	1
-287L	MS20427M6C7		..RIVET- (OPT ITEM 287M)	L,Z,A D,AG	1
-287M	CSR924-6-7		..RIVET- (OPT ITEM 287L)	L,Z,A D,AG	1
288	315T3002-139		..STRIP-RUB	C,X,A B,AE	1
-288J	315T3002-140		..STRIP-RUB	L,Z,A D,AG	1
289	315T3202-73		..BOX INSTL-COWL REVERSER TORQUE (FOR DETAILS SEE FIG. 3)	A,D,J ,M,AJ ,AL	1
-289A	315T3202-115		..BOX INSTL-COWL REVERSER TORQUE (FOR DETAILS SEE FIG. 4)	B,C,G ,K,S U,W,X ,AA,A B,AE AF	1

71-11-33

 ILLUSTRATED PARTS LIST
 01.1 Page 1030Z
 Jul 01/04

BOEING
 COMPONENT
 MAINTENANCE MANUAL

FIG. & ITEM	PART NO.	AIRLINE PART NUMBER	NOMENCLATURE 1234567	EFF CODE	QTY PER ASSY
01- -292	315T3202-74		..BOX INSTL-COWL REVERSER TORQUE (FOR DETAILS SEE FIG. 3)	E,H,N ,R,AK ,AM	1
-292A	315T3202-116		..BOX INSTL-COWL REVERSER TORQUE (FOR DETAILS SEE FIG. 4)	F,L,P ,Q,T, V,Y,Z ,AC,A D,AG AH	1
-295	315T3124-6		..DUCT INSTL-EXH	Q,Y,A C,AH	1
-295A	315T3124-8		..DUCT INSTL-EXH	E,F,H ,L,N, P,R,T ,V,Z, AD,AG AK,AM	1
298	HL11VAZ6-19		...BOLT- (V60516) (SPEC BACB30NW6K19) (OPT B30NW6K19 (V97928)) (OPT HL11VAZ6-19 (V73197)) (OPT HL11VAZ6-19 (V92215)) (OPT HL11VAZ6-19 (V97928)) (OPT L803-6K19 (V06725)) (OPT HL11VAZ6-19 (V0PTK6)) (OPT HL11VAZ6-19 (V56878))	E,F,H ,L, N-R,T ,V,Y, Z,AC, AD AG,AH ,AK,A M	32

71-11-33

ILLUSTRATED PARTS LIST

01.1

Page 1031

Jul 01/04

FIG. & ITEM	PART NO.	AIRLINE PART NUMBER	NOMENCLATURE 1234567	EFF CODE	QTY PER ASSY
01-302	BACS40R7B10F		...SHIM	E, F, H L, N-R, T V, Y, Z, AC, AD AG, AH AK, A M	AR
305 305A	BACC30AB6 HL97DU6		DELETED ...COLLAR- (V73197) (SPEC BACC30AB6S) (OPT HL97DU6 (V92215)) (OPT HL97DU6 (V56878))	E, F, H L, N-R, T V, Y, Z, AC, AD AG, AH AK, A M	32
308	315T3135-1		...GASKET	E, F, H L, N-R, T V, Y, Z, AC, AD AG, AH AK, A M	4
311	315T3135-2		...GASKET	E, F, H L, N-R, T V, Y, Z, AC, AD AG, AH AK, A M	2

71-11-33

ILLUSTRATED PARTS LIST

01.1

Page 1032

Jul 01/04


BOEING
 COMPONENT
 MAINTENANCE MANUAL

FIG. & ITEM	PART NO.	AIRLINE PART NUMBER	NOMENCLATURE 1234567	EFF CODE	QTY PER ASSY
01-314	315T3135-3		...GASKET	E,F,H L, N-R,T V,Y, Z,AC, AD AG,AH AK,A M	2
317	NAS514P1032-8P		...SCREW	E,F,H L,N, P,R,T V,Z, AD,AG AK,AM	16
317A	NAS514P1032-16P		DELETED		
318	NAS514P1032-14P		...SCREW- (REPLD BY ITEM 318A)	Q,Y,A C,AH	8
-318A	NAS514P1032-8P		...SCREW- (REPLS ITEM 318)	Q,Y,A C,AH	8
319	NAS514P1032-8P		...SCREW	Q,Y,A C,AH	8
320	AN960XC10		...WASHER	E,F,H L, N-R,T V,Y, Z,AC, AD AG,AH AK,A M	16

71-11-33

ILLUSTRATED PARTS LIST

01.1 Page 1032A

Jul 01/04

FIG. & ITEM	PART NO.	AIRLINE PART NUMBER	NOMENCLATURE	EFF CODE	QTY PER ASSY
01-323	BRH10C3		1234567 ...NUT- (V52828) (SPEC BACN10JC3C) (OPT T6C1032J (V11815)) (OPT 97-02 (V80539)) (OPT 101LH9075-3W (V72962)) (OPT VN303B02 (V92215)) (OPT NS202101S02 (V80539)) (OPT H31-3BAC (V15653))	E,F,H ,L, N-R,T ,V,Y, Z,AC, AD AG,AH ,AK,A M	16
326	315T3124-7		...SHIM- (LIMITED) (SH AISI 301 7.9 X 7.9 X .100 PER MIL-S-5059)	Q,Y,A C,AH	3
329	BOE2040		...SEAL- (REPLD BY ITEM 332) (V16632) (SPEC S332T308-1) (BOE2040-0004 I/W BOE2040 AT SURGE BLEED PORT NO. 1) (BOE2040-0004 I/W BOE2040 TOGETHER WITH 3 EACH 315T3124-7 SHIMS AT SURGE BLEED PORT NO. 2) BOE2040-0004 I/W (BOE2040-0004 I/W BOE2040 TOGETHER WITH 2 EACH 315T3124-7 SHIMS AT SURGE BLEED PORT NO. 4)	Q,Y,A C,AH	2

71-11-33

 ILLUSTRATED PARTS LIST
 01.1 Page 1032B
 Jul 01/04

BOEING
 COMPONENT
 MAINTENANCE MANUAL

FIG. & ITEM	PART NO.	AIRLINE PART NUMBER	NOMENCLATURE	EFF CODE	QTY PER ASSY
01- -332	BOE2040-0004		1234567 ...SEAL- (REPLS ITEM 329) (V16632) (SPEC S332T308-4) (BOE2040-0004 I/W BOE2040 AT SURGE BLEED PORT NO. 1) (BOE2040-0004 I/W BOE2040 TOGETHER WITH 3 EACH 315T3124-7 SHIMS AT SURGE BLEED PORT NO. 2) (BOE2040-0004 I/W BOE2040 TOGETHER WITH 2 EACH 315T3124-7 SHIMS AT SURGE BLEED PORT NO. 4)	Q,Y,A C,AH	2
-332A	BOE2040-0004		...SEAL- (V16632) (SPEC S332T308-4) (BOE2040-0004 I/W BOE2040 AT SURGE BLEED PORT NO. 1) (BOE2040-0004 I/W BOE2040 TOGETHER WITH 3 EACH 315T3124-7 SHIMS AT SURGE BLEED PORT NO. 2) (BOE2040-0004 I/W BOE2040 TOGETHER WITH 2 EACH 315T3124-7 SHIMS AT SURGE BLEED PORT NO. 4)	E,F,H ,L,N, P,R,T ,V,Z, AD,AG AK,AM	2

71-11-33

ILLUSTRATED PARTS LIST
 01.1 Page 1032C
 Jul 01/04

FIG. & ITEM	PART NO.	AIRLINE PART NUMBER	NOMENCLATURE 1234567	EFF CODE	QTY PER ASSY
01-335	HL11VAZ6-4		...BOLT- (V60516) (SPEC BACB30NW6K4) (OPT HL11V6-4 (V92215)) (OPT HL11V6-4 (V97928)) (OPT L803-6-4 (V06725)) (OPT B30NW6K4 (V97928)) (OPT HL11VAZ6-4 (V73197)) (OPT HL11VAZ6-4 (V92215)) (OPT HL11VAZ6-4 (V56878))	E,F,H L, N-R,T V,Y, Z,AC, AD AG,AH AK,A M	10
338	HL11VAZ6-3		...BOLT- (V60516) (SPEC BACB30NW6K3) (OPT B30NW6K3 (V97928)) (OPT HL11VAZ6-3 (V73197)) (OPT HL11VAZ6-3 (V92215)) (OPT HL11VAZ6-3 (V97928)) (OPT L803-6K3 (V06725)) (OPT HL11VAZ6-3 (V0PTK6)) (OPT HL11VAZ6-3 (V56878))	E,F,H L, N-R,T V,Y, Z,AC, AD AG,AH AK,A M	24

71-11-33

ILLUSTRATED PARTS LIST

01.1 Page 1032D

Jul 01/04

BOEING
 COMPONENT
 MAINTENANCE MANUAL

FIG. & ITEM	PART NO.	AIRLINE PART NUMBER	NOMENCLATURE 1234567	EFF CODE	QTY PER ASSY
01-341 341A	BACC30AB6 HL97DU6		DELETED ...COLLAR- (V73197) (SPEC BACC30AB6S) (OPT HL97DU6 (V92215)) (OPT HL97DU6 (V56878))	E,F,H ,L, N-R,T ,V,Y, Z,AC, AD AG,AH ,AK,A M	34
344	315T3123-24		...DUCT ASSY- (OPT ITEM 344A)	E,F,H ,L, N-R,T ,V,Y, Z,AC, AD AG,AH ,AK,A M	1
-344A	315T3123-37		...DUCT ASSY- (OPT ITEM 344)	E,F,H ,L, N-R,T ,V,Y, Z,AC, AD AG,AH ,AK,A M	1
347	315T3114-20		...DUCT ASSY	Q,Y,A C,AH	1
-347A	315T3114-30		...DUCT ASSY	E,F,H ,L,N, P,R,T ,V,Z, AD,AG AK,AM	1

71-11-33

ILLUSTRATED PARTS LIST
 01.1 Page 1032E
 Jul 01/04

FIG. & ITEM	PART NO.	AIRLINE PART NUMBER	NOMENCLATURE 1234567	EFF CODE	QTY PER ASSY
01-350	315T3100-77		..WALL ASSY-INNER DUCT	A,B,D ,J,K, M,S,U ,AJ,A L	1
-350A	315T3100-83		..WALL ASSY-INNER DUCT	G,W,A A,AF	1
-350B	315T3100-85		..WALL ASSY-INNER DUCT	C,X,A B,AE	1
-353	315T3100-78		..WALL ASSY-INNER DUCT	E,F,H ,N,P, R,T,V ,AK,A M	1
-353A	315T3100-84		..WALL ASSY-INNER DUCT	Q,Y,A C,AH	1
-353B	315T3100-86		..WALL ASSY-INNER DUCT	L,Z,A D,AG	1
354	BACR15CE4B		...RIVET- (SIZE DETERMINE ON INST)	G,Q,W ,Y,AA ,AC,A F,AH	34
354L	BACR15CE4B		...RIVET- (SIZE DETERMINE ON INST)	G,W,A A,AF	3
355	315T3100-59		...STRIP-RUB (ITEMS 357 AND 358 TOGETHER OPT ITEM 355)	G,W,A A,AF	1
356	BACB30LL4-5		DELETED		
356A	315T3100-60		...STRIP-RUB (ITEMS 357L AND 358L TOGETHER OPT ITEM 356A)	Q,Y,A C,AH	1
357	315T3100-63		...STRIP-RUB (ITEMS 357 AND 358 TOGETHER OPT ITEM 355)	G,W,A A,AF	1
357L	315T3100-64		...STRIP-RUB (ITEMS 357L AND 358L TOGETHER OPT ITEM 356A)	Q,Y,A C,AH	1
358	315T3100-65		...STRIP-RUB (ITEMS 357 AND 358 TOGETHER OPT ITEM 355)	G,W,A A,AF	1
358L	315T3100-66		...STRIP-RUB (ITEMS 357L AND 358L TOGETHER OPT ITEM 356A)	Q,Y,A C,AH	1

71-11-33

 ILLUSTRATED PARTS LIST
 01.1 Page 1032F
 Jul 01/04


BOEING
 COMPONENT
 MAINTENANCE MANUAL

FIG. & ITEM	PART NO.	AIRLINE PART NUMBER	NOMENCLATURE 1234567	EFF CODE	QTY PER ASSY
01-					
359	BACR15BA3AD		DELETED		
359A	BACB30VF4K4		...BOLT	A-AM	2
360	BACR15CE3KE		...RIVET-	A-AM	4
			(SIZE DETERMINE ON INST)		
362	NS103190-048		...NUTPLATE-	A-AM	2
			(V80539)		
			(SPEC BACN10KE4A)		
			(OPT F51750-4-1		
			(V15653))		
			(OPT RMF9212-4		
			(V72962))		
			(OPT BRFR220A4-1		
			(V52828))		
363	BACB30NW6K		...BOLT-	G,Q,W	6
			(SIZE DETERMINE ON INST)	,Y,AA	
				,AC,A	
				F,AH	
363L	HL79-6		...COLLAR-	G,Q,W	6
			(V5M902)	,Y,AA	
			(SPEC BACC30M6)	,AC,A	
			(OPT HL79-6	F,AH	
			(V73197))		
			(OPT HL79-6		
			(V92215))		
			(OPT 66014-6		
			(V56878))		
			(OPT HL79-6		
			(V56878))		
364	315T3554-2		...CATCH-COWL	G,Q,W	1
				,Y,AA	
				,AC,A	
				F,AH	
365	NS202493-048-2		DELETED		
365A	315T3100-87		...BOND ASSY-RIVET	G,W,A	1
				A,AF	
-365L	315T3100-88		...BOND ASSY-RIVET	Q,Y,A	1
				C,AH	
366	BR3000A3		DELETED		
-366A	315T3101-153		...PANEL ASSY-ACOUSTIC	G,W,A	1
				A,AF	
-366L	315T3101-170		...PANEL ASSY-ACOUSTIC	Q,Y,A	1
				C,AH	
367	315T3300-1		..BIFURCATION INSTL-UPR	A,B,D	1
				,J,K,	
				M	

71-11-33

ILLUSTRATED PARTS LIST

01.1 Page 1032G

Jul 01/04

FIG. & ITEM	PART NO.	AIRLINE PART NUMBER	NOMENCLATURE 1234567	EFF CODE	QTY PER ASSY
01-					
-367A	315T3300-23		..BIFURCATION INSTL-UPR	S,U,A	1
				J,AL	
-367B	315T3300-25		..BIFURCATION INSTL-UPR (FOR DETAILS SEE FIG. 5)	W,AA	1
-367C	315T3300-27		..BIFURCATION INSTL-UPR (FOR DETAILS SEE FIG. 5)	X,AB	1
-367D	315T3300-29		..BIFURCATION INSTL-UPR (FOR DETAILS SEE FIG. 5)	G,AF	1
-367E	315T3300-31		..BIFURCATION INSTL-UPR (FOR DETAILS SEE FIG. 5)	C,AE	1
368	BR3000A3		DELETED		
-368A	315T3300-5001		...BIFURCATION INSTL- (LIMITED) (FOR DETAILS SEE FIG. 5)	A,B,D ,J,K, M	1
-368B	315T3300-5003		...BIFURCATION INSTL- (LIMITED) (FOR DETAILS SEE FIG. 5)	A,B,D ,J,K, M	1
-368C	315T3300-5005		...BIFURCATION INSTL- (LIMITED) (FOR DETAILS SEE FIG. 5)	A,B,D ,J,K, M	1
-368D	315T3300-5009		...BIFURCATION INSTL- (LIMITED) (FOR DETAILS SEE FIG. 5)	A,B,D ,J,K, M	1
-368E	315T3300-5019		...BIFURCATION INSTL- (LIMITED) (FOR DETAILS SEE FIG. 5)	A,B,D ,J,K, M	1
-368F	315T3300-5023		...BIFURCATION INSTL- (LIMITED) (FOR DETAILS SEE FIG. 5)	A,B,D ,J,K, M	1
-368P	315T3300-5025		...BIFURCATION INSTL- (FOR DETAILS SEE FIG. 5)	S,U,A	1
				J,AL	
-368Q	315T3300-5027		DELETED		

71-11-33

 ILLUSTRATED PARTS LIST
 01.1 Page 1032H
 Jul 01/04


BOEING
 COMPONENT
 MAINTENANCE MANUAL

FIG. & ITEM	PART NO.	AIRLINE PART NUMBER	NOMENCLATURE 1234567	EFF CODE	QTY PER ASSY
01-					
369	315T3300-1		DELETED		
-369A	315T3300-1		DELETED		
-369B	315T3300-23		DELETED		
-369C	315T3300-2		..BIFURCATION INSTL-UPR	E,F,H ,N,P, R	1
-369D	315T3300-24		..BIFURCATION INSTL-UPR	T,V,A K,AM	1
-369E	315T3300-26		..BIFURCATION INSTL-UPR (FOR DETAILS SEE FIG. 5)	Y,AC	1
-369F	315T3300-28		..BIFURCATION INSTL-UPR (FOR DETAILS SEE FIG. 5)	Z,AD	1
-369G	315T3300-30		..BIFURCATION INSTL-UPR (FOR DETAILS SEE FIG. 5)	Q,AH	1
-369H	315T3300-32		..BIFURCATION INSTL-UPR (FOR DETAILS SEE FIG. 5)	L,AG	1
-370	315T3300-2		DELETED		
-370A	315T3300-2		DELETED		
-370B	315T3300-24		DELETED		
-370C	315T3300-5002		...BIFURCATION INSTL- (LIMITED) (FOR DETAILS SEE FIG. 5)	E,F,H ,N,P, R	1
-370D	315T3300-5004		...BIFURCATION INSTL- (LIMITED) (FOR DETAILS SEE FIG. 5)	E,F,H ,N,P, R	1
-370E	315T3300-5006		...BIFURCATION INSTL- (LIMITED) (FOR DETAILS SEE FIG. 5)	E,F,H ,N,P, R	1
-370F	315T3300-5010		...BIFURCATION INSTL- (LIMITED) (FOR DETAILS SEE FIG. 5)	E,F,H ,N,P, R	1
-370G	315T3300-5020		...BIFURCATION INSTL- (LIMITED) (FOR DETAILS SEE FIG. 5)	E,F,H ,N,P, R	1
-370H	315T3300-5024		...BIFURCATION INSTL- (LIMITED) (FOR DETAILS SEE FIG. 5)	E,F,H ,N,P, R	1
-370P	315T3300-5026		...BIFURCATION INSTL- (FOR DETAILS SEE FIG. 5)	T,V,A K,AM	1
-370Q	315T3300-5028		DELETED		

71-11-33

 ILLUSTRATED PARTS LIST
 01.1 Page 1032I
 Jul 01/04

FIG. & ITEM	PART NO.	AIRLINE PART NUMBER	NOMENCLATURE 1234567	EFF CODE	QTY PER ASSY
01-					
-371	315T3002-5118		DELETED		
371A	315T3318-207		..SEAL INSTL-UPR BIFURCATION (FOR DETAILS SEE FIG. 6)	W,X,A A,AB	1
-371B	315T3318-133		..SEAL INSTL-UPR BIFURCATION	A-D,G ,J,K, M,S,U ,AE,A F AJ,AL	1
-371Q	315T3318-5007		...SEAL INSTL- (LIMITED) (FOR DETAILS SEE FIG. 6)	A-D,G ,J,K, M,S,U ,AE,A F AJ,AL	1
-371R	315T3318-5009		...SEAL INSTL- (LIMITED) (FOR DETAILS SEE FIG. 6)	A-D,G ,J,K, M,S,U ,AE,A F AJ,AL	1
-371S	315T3318-5011		...SEAL INSTL- (LIMITED) (FOR DETAILS SEE FIG. 6)	A-D,G ,J,K, M,S,U ,AE,A F AJ,AL	1
-371T	315T3318-5013		...SEAL INSTL- (LIMITED) (FOR DETAILS SEE FIG. 6)	A-D,G ,J,K, M,S,U ,AE,A F AJ,AL	1
-371U	315T3318-5015		...SEAL INSTL- (LIMITED) (FOR DETAILS SEE FIG. 6)	A-D,G ,J,K, M,S,U ,AE,A F AJ,AL	1

71-11-33

 ILLUSTRATED PARTS LIST
 01.1 Page 1032J
 Jul 01/04


BOEING
 COMPONENT
 MAINTENANCE MANUAL

FIG. & ITEM	PART NO.	AIRLINE PART NUMBER	NOMENCLATURE 1234567	EFF CODE	QTY PER ASSY
01- -372	315T3318-208		..SEAL INSTL-UPR BIFURCATION (FOR DETAILS SEE FIG. 6)	Y,Z,A C,AD	1
-372A	315T3318-134		..SEAL INSTL-UPR BIFURCATION	E,F,H ,L, N-R,T ,V,AG ,AH AK,AM	1
-372Q	315T3318-5008		...SEAL INSTL- (LIMITED) (FOR DETAILS SEE FIG. 6)	E,F,H ,L, N-R,T ,V,AG ,AH AK,AM	1
-372R	315T3318-5010		...SEAL INSTL- (LIMITED) (FOR DETAILS SEE FIG. 6)	E,F,H ,L, N-R,T ,V,AG ,AH AK,AM	1
-372S	315T3318-5014		...SEAL INSTL- (LIMITED) (FOR DETAILS SEE FIG. 6)	E,F,H ,L, N-R,T ,V,AG ,AH AK,AM	1
-373	315T3128-17		DELETED		
-375	315T3002-7001		DELETED		
-376	315T3002-5118		.COLLECTOR-LIMITED POINT	A,J	1
-377	315T3128-17		..SYSTEM INSTL-ZONE VENTILATION (FOR DETAILS SEE FIG. 2)	A,J	1
-378 -378A	315T3002-7002 315T3002-7001		DELETED .COLLECTOR-COMMON POINT	A-D,G ,J,K, M,S,U ,W,X, AA,AB AE,AF ,AJ,A L	1

71-11-33

ILLUSTRATED PARTS LIST

01.1 Page 1032K

Jul 01/04

FIG. & ITEM	PART NO.	AIRLINE PART NUMBER	NOMENCLATURE 1234567	EFF CODE	QTY PER ASSY
01- -379	315T3002-7002		.COLLECTOR-COMMON POINT	E,F,H L N-R,T V,Y Z,AC AD AG,AH AK,A M	1
380	BACB30NR4K6		..BOLT- (LIMITED)	A,B,N P	42
-380A	BACB30NM4K6		..BOLT- (LIMITED)	A,B,N P	42
382	BACB30NR4K6		..BOLT- (LIMITED)	E,F,J K	50
-382A	BACB30NM4K6		..BOLT- (LIMITED)	E,F,J K	50
384	BACB30NR4K8		..BOLT- (LIMITED)	A,B,N P	30
-384A	BACB30NM4K8		..BOLT- (LIMITED)	A,B,N P	30
386	BACB30NR4K8		..BOLT- (LIMITED)	E,F,J K	34
-386A	BACB30NM4K8		..BOLT- (LIMITED)	E,F,J K	34
388	AN960KD416		..WASHER- (LIMITED) (USED WITH ITEMS 380A, 384A)	A,B,N P	72

71-11-33

 ILLUSTRATED PARTS LIST
 01.1 Page 1032L
 Jul 01/04


BOEING
 COMPONENT
 MAINTENANCE MANUAL

FIG. & ITEM	PART NO.	AIRLINE PART NUMBER	NOMENCLATURE 1234567	EFF CODE	QTY PER ASSY
01-389	AN960KD416L		..WASHER- (LIMITED) (USED WITH ITEM 380)	A,B,N ,P	42
390	AN960KD416L		..WASHER- (LIMITED) (USED WITH ITEM 382)	E,F,J ,K	50
-390A	AN960KD416		..WASHER- (LIMITED) (USED WITH ITEM 382A)	E,F,J ,K	50
392	AN960KD416		..WASHER- (LIMITED) (USED WITH ITEM 386)	E,F,J ,K	34
394	BACB30NM4K9		..BOLT	C,D,G ,H,L, M,Q-A M	36
396	AN960KD416L		..WASHER	C,D,G ,H,L, M,Q-A M	70
397	AN960KD416		..WASHER	C,D,G ,H,L, M,Q-A M	2
398	BACB30NM4K8		..BOLT	C,D,G ,H,L, M,Q-A M	54
400	AN960KD416		..WASHER	C,D,G ,H,L, M,Q-A M	54

71-11-33

 ILLUSTRATED PARTS LIST
 01.1 Page 1032M
 Jul 01/04

FIG. & ITEM	PART NO.	AIRLINE PART NUMBER	NOMENCLATURE 1234567	EFF CODE	QTY PER ASSY
01-402	BACR15BA3B		..RIVET- (SIZE DETERMINE ON INST)	A-AM	108
404	NS202495-048		..NUTPLATE- (V80539) (SPEC BACN10KE4DCD) (OPT F51753-4CD (V15653)) (OPT ITEM 404A)	A-AM	54
-404A	NS103193SE048		..NUTPLATE- (V80539) (SPEC BACN10KE4DCM) (OPT F51753-4DL (V15653)) (OPT ITEM 404)	A-AM	54
406	315T3305-107		..FAIRING INSTL-SKIN UPR TRACK	A-D,G ,J,K, M,S,U ,W,X, AA,AB AE,AF ,AJ,A L	1
-408	315T3305-108		..FAIRING INSTL-SKIN UPR TRACK	E,F,H ,L, N-R,T ,V,Y, Z,AC, AD AG,AH ,AK,A M	1

71-11-33

 ILLUSTRATED PARTS LIST
 01.1 Page 1032N
 Jul 01/04

BOEING
 COMPONENT
 MAINTENANCE MANUAL

FIG. & ITEM	PART NO.	AIRLINE PART NUMBER	NOMENCLATURE 1234567	EFF CODE	QTY PER ASSY
01-410	315T3305-5001		...FAIRING INSTL-(LIMITED)	A-D,G ,J,K, M,S,U ,W,X, AA,AB AE,AF ,AJ,A L	1
-410A	315T3305-5003		...FAIRING INSTL-(LIMITED)	A-D,G ,J,K, M,S,U ,W,X, AA,AB AE,AF ,AJ,A L	1
-410B	315T3305-5005		...FAIRING INSTL-(LIMITED)	A-D,G ,J,K, M,S,U ,W,X, AA,AB AE,AF ,AJ,A L	1
-410C	315T3305-5007		...FAIRING INSTL-(LIMITED)	A-D,G ,J,K, M,S,U ,W,X, AA,AB AE,AF ,AJ,A L	1
-410D	315T3305-5009		DELETED		

71-11-33

ILLUSTRATED PARTS LIST
 01.1 Page 10320
 Jul 01/04

FIG. & ITEM	PART NO.	AIRLINE PART NUMBER	NOMENCLATURE 1234567	EFF CODE	QTY PER ASSY
01- -412	315T3305-5002		...FAIRING INSTL- (LIMITED)	E,F,H L, N-R,T V,Y, Z,AC, AD AG,AH AK,A M	1
-412A	315T3305-5004		...FAIRING INSTL- (LIMITED)	E,F,H L, N-R,T V,Y, Z,AC, AD AG,AH AK,A M	1
-412B	315T3305-5006		...FAIRING INSTL- (LIMITED)	E,F,H L, N-R,T V,Y, Z,AC, AD AG,AH AK,A M	1
-412C	315T3305-5008		...FAIRING INSTL- (LIMITED)	E,F,H L, N-R,T V,Y, Z,AC, AD AG,AH AK,A M	1
-412D	315T3305-5010		DELETED		

71-11-33

 ILLUSTRATED PARTS LIST
 01.1 Page 1032P
 Jul 01/04

BOEING
 COMPONENT
 MAINTENANCE MANUAL

FIG. & ITEM	PART NO.	AIRLINE PART NUMBER	NOMENCLATURE 1234567	EFF CODE	QTY PER ASSY
01-414	BACB30VF3K5	BOLT	A-AM	25
415	BACR15FT5KE	RIVET- (SIZE DETERMINE ON INST) (ITEM 415 OPT TO ITEM 415L TOGETHER WITH ITEM 415S)	A-AM	2
415L	BACB30MY5K	BOLT- (SIZE DETERMINE ON INST) (ITEM 415 OPT TO ITEM 415L TOGETHER WITH ITEM 415S)	A-AM	2
415S	KFN600-5	NUT- (V56878) (SPEC BACN10XJ5) (OPT KFN600-5S (V15653)) (OPT BH00309-5 (V27238)) (OPT BH00309-5S (V27238)) (OPT KFN600-5 (V15653)) (ITEM 415 OPT TO ITEM 415L TOGETHER WITH ITEM 415S)	A-AM	2
416	315T3305-125	SUPPORT ASSY- (USED ON ITEM 410)	A-D,G ,J,K, M,S,U ,W,X, AA,AB AE,AF ,AJ,A L	1

71-11-33

ILLUSTRATED PARTS LIST
 01.1 Page 1032Q
 Jul 01/04

FIG. & ITEM	PART NO.	AIRLINE PART NUMBER	NOMENCLATURE 1234567	EFF CODE	QTY PER ASSY
01- -418	315T3305-126	SUPPORT ASSY- (USED ON ITEM 412)	E,F,H L, N-R,T V,Y, Z,AC, AD AG,AH AJ,A L	1
420	BACR15BA3AD	RIVET- (SIZE DETERMINE ON INST)	A-AM	2
422	NS103194SE02-2	NUTPLATE- (V80539) (SPEC BACN10KE3E2CM) (OPT F51751-3-2DL (V15653)) (OPT 104F9216-2-3 (V72962)) (OPT BRFR120C3-2M (V52828))	A-AM	1
424	315T3305-115	SUPPORT ASSY- (USED ON ITEMS 410A, 410B, 410C)	A-D,G J,K, M,S,U W,X, AA,AB AE,AF AJ,A L	1
-426	315T3305-116	SUPPORT ASSY- (USED ON ITEMS 412A, 412B, 412C)	E,F,H L, N-R,T V,Y, Z,AC, AD AG,AH AK,A M	1

71-11-33

 ILLUSTRATED PARTS LIST
 01.1 Page 1032R
 Jul 01/04


BOEING
 COMPONENT
 MAINTENANCE MANUAL

FIG. & ITEM	PART NO.	AIRLINE PART NUMBER	NOMENCLATURE 1234567	EFF CODE	QTY PER ASSY
01-428	BACR15BA3AD	RIVET- (SIZE DETERMINE ON INST)	A-AM	2
430	NS103194SE02-2	NUTPLATE- (V80539) (SPEC BACN10KE3E2CM) (OPT F51751-3-2DL (V15653)) (OPT 104F9216-2-3 (V72962)) (OPT BRFR120C3-2M (V52828))	A-AM	1
431	BACR15FT6KE	RIVET- (SIZE DETERMINE ON INST) (ITEM 431 OPT TO ITEM 431L TOGETHER WITH ITEM 431S)	A-AM	10
431L	BACB30MY6K	BOLT- (SIZE DETERMINE ON INST) (ITEM 431 OPT TO ITEM 431L TOGETHER WITH ITEM 431S)	A-AM	10
431S	KFN600-6S	NUT- (V15653) (SPEC BACN10XJ6) (OPT BH00309-6 (V27238)) (OPT BH00309-6S (V27238)) (OPT KFN600-6 (V15653)) (OPT KFN600-6 (V56878)) (ITEM 431 OPT TO ITEM 431L TOGETHER WITH ITEM 431S)	A-AM	10
432	315T3305-79	SUPPORT ASSY	A-D,G ,J,K, M,S,U ,W,X, AA,AB AE,AF ,AJ,A L	1

71-11-33

ILLUSTRATED PARTS LIST

01.1 Page 1032S

Jul 01/04

FIG. & ITEM	PART NO.	AIRLINE PART NUMBER	NOMENCLATURE 1234567	EFF CODE	QTY PER ASSY
01- -434	315T3305-80	SUPPORT ASSY	E, F, H L, N-R, T V, Y, Z, AC, AD AG, AH AK, A M	1
436	BACR15BA3AD	RIVET- (SIZE DETERMINE ON INST)	A-AM	2
438	NS103191SE02-2	NUTPLATE- (V80539) (SPEC BACN10KE3B2CM) (OPT F51747-3-2DL (V15653)) (OPT 104F9213-2-3 (V72962)) (OPT 104F9213-2-3 (V72962))	A-AM	1
440	315T3305-75	SUPPORT ASSY	A-D, G J, K, M, S, U W, X, AA, AB AE, AF AJ, A L	1
-442	315T3305-76	SUPPORT ASSY	E, F, H L, N-R, T V, Y, Z, AC, AD AG, AH AK, A M	1

71-11-33

ILLUSTRATED PARTS LIST

01.1 Page 1032T

Jul 01/04


BOEING
 COMPONENT
 MAINTENANCE MANUAL

FIG. & ITEM	PART NO.	AIRLINE PART NUMBER	NOMENCLATURE 1234567	EFF CODE	QTY PER ASSY
01-444	BACR15BA3AD	RIVET- (SIZE DETERMINE ON INST)	A-AM	4
446	NS103191SE02-2	NUTPLATE- (V80539) (SPEC BACN10KE3B2CM) (OPT F51747-3-2DL (V15653)) (OPT 104F9213-2-3 (V72962)) (OPT 104F9213-2-3 (V72962))	A-AM	1
448	NS103194SE02-2	NUTPLATE- (V80539) (SPEC BACN10KE3E2CM) (OPT F51751-3-2DL (V15653)) (OPT 104F9216-2-3 (V72962)) (OPT BRFR120C3-2M (V52828))	A-AM	1
450	315T3305-71	SUPPORT ASSY	A-D,G ,J,K, M,S,U ,W,X, AA,AB AE,AF ,AJ,A L	1
-452	315T3305-72	SUPPORT ASSY	E,F,H L, N-R,T ,V,Y, Z,AC, AD AG,AH ,AK,A M	1

71-11-33

ILLUSTRATED PARTS LIST

01.1 Page 1032U

Jul 01/04

FIG. & ITEM	PART NO.	AIRLINE PART NUMBER	NOMENCLATURE 1234567	EFF CODE	QTY PER ASSY
01-454	BACR15BA3AD	RIVET- (SIZE DETERMINE ON INST)	A-AM	4
456	NS103191SE02-2	NUTPLATE- (V80539) (SPEC BACN10KE3B2CM) (OPT F51747-3-2DL (V15653)) (OPT 104F9213-2-3 (V72962)) (OPT 104F9213-2-3 (V72962))	A-AM	1
458	NS103194SE02-2	NUTPLATE- (V80539) (SPEC BACN10KE3E2CM) (OPT F51751-3-2DL (V15653)) (OPT 104F9216-2-3 (V72962)) (OPT BRFR120C3-2M (V52828))	A-AM	1
460	315T3305-67	SUPPORT ASSY	A-D,G ,J,K, M,S,U ,W,X, AA,AB AE,AF ,AJ,A L	1
-462 -462A	315T3305-64 315T3305-68		DELETEDSUPPORT ASSY	E,F,H ,L, N-R,T ,V,Y, Z,AC, AD AG,AH ,AK,A M	1

71-11-33

ILLUSTRATED PARTS LIST

01.1 Page 1032V

Jul 01/04

BOEING
 COMPONENT
 MAINTENANCE MANUAL

FIG. & ITEM	PART NO.	AIRLINE PART NUMBER	NOMENCLATURE 1234567	EFF CODE	QTY PER ASSY
01-464	BACR15BA3AD	RIVET- (SIZE DETERMINE ON INST)	A-AM	4
466	NS103191SE02-2	NUTPLATE- (V80539) (SPEC BACN10KE3B2CM) (OPT F51747-3-2DL (V15653)) (OPT 104F9213-2-3 (V72962)) (OPT 104F9213-2-3 (V72962))	A-AM	1
468	NS103194SE02-2	NUTPLATE- (V80539) (SPEC BACN10KE3E2CM) (OPT F51751-3-2DL (V15653)) (OPT 104F9216-2-3 (V72962)) (OPT BRFR120C3-2M (V52828))	A-AM	1
470	315T3305-63	SUPPORT ASSY	A-D,G ,J,K, M,S,U ,W,X, AA,AB AE,AF ,AJ,A L	1
-472	315T3305-64	SUPPORT ASSY	E,F,H ,L, N-R,T ,V,Y, Z,AC, AD AG,AH ,AK,A M	1

71-11-33

ILLUSTRATED PARTS LIST
 01.1 Page 1032W
 Jul 01/04

FIG. & ITEM	PART NO.	AIRLINE PART NUMBER	NOMENCLATURE 1234567	EFF CODE	QTY PER ASSY
01-474	BACR15BA3AD	RIVET- (SIZE DETERMINE ON INST)	A-AM	4
476	NS103191SE02-2	NUTPLATE- (V80539) (SPEC BACN10KE3B2CM) (OPT F51747-3-2DL (V15653)) (OPT 104F9213-2-3 (V72962)) (OPT 104F9213-2-3 (V72962))	A-AM	1
478	NS103194SE02-2	NUTPLATE- (V80539) (SPEC BACN10KE3E2CM) (OPT F51751-3-2DL (V15653)) (OPT 104F9216-2-3 (V72962)) (OPT BRFR120C3-2M (V52828))	A-AM	1
480	315T3305-59	SUPPORT ASSY	A-D,G ,J,K, M,S,U ,W,X, AA,AB AE,AF ,AJ,A L	1
-482	315T3305-60	SUPPORT ASSY	E,F,H ,L, N-R,T ,V,Y, Z,AC, AD AG,AH ,AK,A M	1
484	BACR15BA3AD	RIVET- (SIZE DETERMINE ON INST)	A-AM	4

71-11-33

ILLUSTRATED PARTS LIST

01.1 Page 1032X

Jul 01/04


BOEING
 COMPONENT
 MAINTENANCE MANUAL

FIG. & ITEM	PART NO.	AIRLINE PART NUMBER	NOMENCLATURE 1234567	EFF CODE	QTY PER ASSY
01-486	NS103191SE02-2	NUTPLATE- (V80539) (SPEC BACN10KE3B2CM) (OPT F51747-3-2DL (V15653)) (OPT 104F9213-2-3 (V72962)) (OPT 104F9213-2-3 (V72962))	A-AM	1
488	NS103194SE02-2	NUTPLATE- (V80539) (SPEC BACN10KE3E2CM) (OPT F51751-3-2DL (V15653)) (OPT 104F9216-2-3 (V72962)) (OPT BRFR120C3-2M (V52828))	A-AM	1
490	315T3307-23		..FAIRING INSTL-UPR BIFURCATION TRACK	A-D,G ,J,K, M,S,U ,W,X, AA,AB AE,AF ,AJ,A L	1
-492	315T3307-24		..FAIRING INSTL-UPR BIFURCATION TRACK	E,F,H ,L, N-R,T ,V,Y, Z,AC, AD AG,AH ,AK,A M	1
494	315T3307-5001		...FAIRING INSTL-(REWORK) (REPLD BY ITEMS 494A, 494B)	A-D,G ,J,K, M,S,U ,W,X, AA,AB AE,AF ,AJ,A L	1

71-11-33

ILLUSTRATED PARTS LIST

01.1 Page 1032Y

Jul 01/04

FIG. & ITEM	PART NO.	AIRLINE PART NUMBER	NOMENCLATURE 1234567	EFF CODE	QTY PER ASSY
01- -494A	315T3307-5003		...FAIRING INSTL- (REPLS ITEM 494) (REPLD BY ITEM 494B)	A-D,G ,J,K, M,S,U ,W,X, AA,AB AE,AF ,AJ,A L	1
-494B	315T3307-5005		...FAIRING INSTL- (REPLS ITEMS 494, 494A)	A-D,G ,J,K, M,S,U ,W,X, AA,AB AE,AF ,AJ,A L	1
-496	315T3307-5002		...FAIRING INSTL-(REWORK) (REPLD BY ITEMS 496A, 496B)	E,F,H ,L, N-R,T ,V,Y, Z,AC, AD AG,AH ,AK,A M	1
-496A	315T3307-5004		...FAIRING INSTL- (REPLS ITEM 496) (REPLD BY ITEM 496B)	E,F,H ,L, N-R,T ,V,Y, Z,AC, AD AG,AH ,AK,A M	1
-496B	315T3307-5006		...FAIRING INSTL- (REPLS ITEMS 496, 496A)	E,F,H ,L, N-R,T ,V,Y, Z,AC, AD AG,AH ,AK,A M	1

71-11-33

ILLUSTRATED PARTS LIST

01.1 Page 1032Z

Jul 01/04

BOEING
 COMPONENT
 MAINTENANCE MANUAL

FIG. & ITEM	PART NO.	AIRLINE PART NUMBER	NOMENCLATURE 1234567	EFF CODE	QTY PER ASSY
01-498	BACR15BA3AD	RIVET- (SIZE DETERMINE ON INST) (USED ON ITEMS 494, 496)	A-AM	2
500	BRF100C3D	NUTPLATE- (V52828) (SPEC BACN10KB3CFD) (OPT F51604-3 (V15653)) (OPT 102F9207P3 (V72962)) (OPT F51604-3 (V15653)) (USED ON ITEMS 494, 496)	A-AM	1
502	BACS40R07D011F	SHIM	A-AM	1
504	315T3307-25	FAIRING ASSY- (USED ON ITEM 494)	A-D,G ,J,K, M,S,U ,W,X, AA,AB AE,AF ,AJ,A L	1
-504A	315T3307-43	FAIRING ASSY- (USED ON ITEM 494A)	A-D,G ,J,K, M,S,U ,W,X, AA,AB AE,AF ,AJ,A L	1
-504B	315T3307-49	FAIRING ASSY- (USED ON ITEM 494B)	A-D,G ,J,K, M,S,U ,W,X, AA,AB AE,AF ,AJ,A L	1

71-11-33

ILLUSTRATED PARTS LIST

01.1

Page 1033

Jul 01/04

FIG. & ITEM	PART NO.	AIRLINE PART NUMBER	NOMENCLATURE 1234567	EFF CODE	QTY PER ASSY
01- -506	315T3307-26	FAIRING ASSY- (USED ON ITEM 496)	E,F,H ,L, N-R,T ,V,Y, Z,AC, AD AG,AH ,AK,A M	1
-506A	315T3307-44	FAIRING ASSY- (USED ON ITEM 496A)	E,F,H ,L, N-R,T ,V,Y, Z,AC, AD AG,AH ,AK,A M	1
-506B	315T3307-50	FAIRING ASSY- (USED ON ITEM 496B)	E,F,H ,L, N-R,T ,V,Y, Z,AC, AD AG,AH ,AK,A M	1
508	BACB30LR2-3	BOLT	A-AM	1
510	BACB30LR2-2	BOLT- (OPT ITEM 510A)	A-AM	10
-510A	BACB30LH2-2	BOLT- (OPT ITEM 510)	A-AM	10

71-11-33

 ILLUSTRATED PARTS LIST
 01.1 Page 1034
 Jul 01/04


BOEING
 COMPONENT
 MAINTENANCE MANUAL

FIG. & ITEM	PART NO.	AIRLINE PART NUMBER	NOMENCLATURE 1234567	EFF CODE	QTY PER ASSY
01-512	BACR15CE5KE	RIVET- (SIZE DETERMINE ON INST)	A-AM	7
514	315T3307-38	STRIP-RUB	A-AM	1
516	BACR15BA3AD	RIVET- (SIZE DETERMINE ON INST)	A-AM	48
518	BACR15BA3AD	RIVET- (SIZE DETERMINE ON INST) (USED ON ITEMS 504A, 504B, 506A, 506B)		2
520	BR2000C3M	NUTPLATE- (V52828) (SPEC BACN10JR3CM) (OPT K1001-3BAC (V15653)) (OPT NS103202SE02 (V80539)) (OPT T8089C1032 (V11815)) (OPT VN102D1-02 (V92215)) (OPT 109A9201-3 (V72962))	A-AM	1
522	NS103191SE02-3	NUTPLATE- (V80539) (SPEC BACN10KE3B3CM) (OPT F51747-3-3DL (V15653)) (OPT BRFR220C3-3M (V52828)) (OPT 104F9213-3-3 (V72962))	A-AM	12

71-11-33

ILLUSTRATED PARTS LIST

01.1 Page 1034A

Jul 01/04

FIG. & ITEM	PART NO.	AIRLINE PART NUMBER	NOMENCLATURE 1234567	EFF CODE	QTY PER ASSY
01-524	109F9201M82	NUTPLATE- (V72962) (SPEC BACN10JN08CM) (OPT BRFM20C08M (V52828)) (OPT MF1001-08BAC (V15653)) (OPT NS103218SE82 (V80539)) (OPT VN252D82 (V92215)) (OPT 109F9201M82 (V72962)) (OPT T8125C08C (V11815))	A-AM	11
526	BRF100C3D	NUTPLATE- (V52828) (SPEC BACN10KB3CFD) (OPT F51604-3 (V15653)) (OPT 102F9207P3 (V72962)) (OPT F51604-3 (V15653)) (USED ON ITEMS 504A, 504B, 506A, 506B)	A-AM	1
528	HL11VAZ8-12		..BOLT- (V60516) (SPEC BACB30NW8K12) (OPT B30NW8K12 (V97928)) (OPT HL11VAZ8-12 (V73197)) (OPT HL11VAZ8-12 (V92215)) (OPT HL11VAZ8-12 (V97928)) (OPT L803-8K12 (V06725)) (OPT HL11VAZ8-12 (V0PTK6)) (OPT HL11VAZ8-12 (V56878))	A-AM	6

71-11-33

 ILLUSTRATED PARTS LIST
 01.1 Page 1034B
 Jul 01/04

BOEING
 COMPONENT
 MAINTENANCE MANUAL

FIG. & ITEM	PART NO.	AIRLINE PART NUMBER	NOMENCLATURE 1234567	EFF CODE	QTY PER ASSY
01-530	HL79-8		..COLLAR- (V5M902) (SPEC BACC30M8) (OPT HL79-8 (V73197)) (OPT HL79-8 (V92215)) (OPT 66014-8 (V56878)) (OPT HL79-8 (V56878))	A-AM	6
532	BACS40R11B61F		..SHIM	A-AM	AR
534	315T3300-1		DELETED		
-536	315T3300-2		DELETED		
538	NAS623-3-21		..SCREW	A-D,G ,J,K, M,S,U ,W,X, AA,AB AE,AF ,AJ,A L	1
-540	NAS623-3-20		..SCREW	E,F,H ,L, N-R,T ,V,Y, Z,AC, AD AG,AH ,AK,A M	1

71-11-33

ILLUSTRATED PARTS LIST
 01.1 Page 1034C
 Jul 01/04

**COMPONENT
MAINTENANCE MANUAL**

FIG. & ITEM	PART NO.	AIRLINE PART NUMBER	NOMENCLATURE 1234567	EFF CODE	QTY PER ASSY
01-542	BRH10C3M		..NUT- (V52828) (SPEC BACN10JC3CM) (OPT T6C1032JM (V11815)) (OPT 97E02 (V80539)) (OPT 109LH9075-3W (V72962)) (OPT VN303D02 (V92215)) (OPT NS202101SE02 (V80539)) (OPT H01-3BAC (V15653))	A-AM	1
544	NAS623-3-20		..SCREW	A-AM	1
546	AN960PD10		..WASHER	A-AM	2
547	BRH10C3M		..NUT- (V52828) (SPEC BACN10JC3CM) (OPT T6C1032JM (V11815)) (OPT 97E02 (V80539)) (OPT 109LH9075-3W (V72962)) (OPT VN303D02 (V92215)) (OPT NS202101SE02 (V80539)) (OPT H01-3BAC (V15653))	A-AM	1

71-11-33

ILLUSTRATED PARTS LIST

01.1 Page 1034D

Jul 01/04

BOEING
 COMPONENT
 MAINTENANCE MANUAL

FIG. & ITEM	PART NO.	AIRLINE PART NUMBER	NOMENCLATURE 1234567	EFF CODE	QTY PER ASSY
01-548	HL13VAZ6-19		..BOLT- (V56878) (SPEC BACB30NY6K19) (OPT HL13VAZ6-19 (V73197)) (OPT HL13VAZ6-19 (V92215)) (OPT HL13VAZ6-19 (V97928)) (OPT L801-6K19 (V06725)) (OPT HL13VAZ6-19 (V08524)) (OPT HL13V19 (V06725)) (OPT HL13VAZ6-19 (V17446))	A-D,G ,J,K, M,S,U ,W,X, AA,AB AE,AF ,AJ,A K	1
-550	HL13VAZ6-18		..BOLT- (V56878) (SPEC BACB30NY6K18) (OPT HL13VAZ6-18 (V73197)) (OPT HL13VAZ6-18 (V92215)) (OPT HL13VAZ6-18 (V97928)) (OPT L801-6K18 (V06725)) (OPT HL13VAZ6-18 (V08524)) (OPT HL13V18 (V06725)) (OPT HL13VAZ6-18 (V17446))	E,F,H ,L, N-R,T ,V,Y, Z,AC, AD AG,AH ,AL,A M	1

71-11-33

ILLUSTRATED PARTS LIST
 01.1 Page 1034E
 Jul 01/04

FIG. & ITEM	PART NO.	AIRLINE PART NUMBER	NOMENCLATURE 1234567	EFF CODE	QTY PER ASSY
01-552	HL13VAZ6-18		..BOLT- (V56878) (SPEC BACB30NY6K18) (OPT HL13VAZ6-18 (V73197)) (OPT HL13VAZ6-18 (V92215)) (OPT HL13VAZ6-18 (V97928)) (OPT L801-6K18 (V06725)) (OPT HL13VAZ6-18 (V08524)) (OPT HL13V18 (V06725)) (OPT HL13VAZ6-18 (V17446))	A-AM	2
554	HL79-6		..COLLAR- (V5M902) (SPEC BACC30M6) (OPT HL79-6 (V73197)) (OPT HL79-6 (V92215)) (OPT 66014-6 (V56878)) (OPT HL79-6 (V56878))	A-AM	3
556	HL10VAZ6-19		..BOLT- (V60516) (SPEC BACB30MY6K19) (OPT B30MY6K19 (V97928))	A-AM	14

71-11-33

 ILLUSTRATED PARTS LIST
 01.1 Page 1034F
 Jul 01/04


BOEING
 COMPONENT
 MAINTENANCE MANUAL

FIG. & ITEM	PART NO.	AIRLINE PART NUMBER	NOMENCLATURE 1234567	EFF CODE	QTY PER ASSY
01-558	HL10VAZ6-18		..BOLT- (V60516) (SPEC BACB30MY6K18) (OPT B30MY6K18 (V97928))	A-AM	9
560	HL10VAZ6-17		..BOLT- (V60516) (SPEC BACB30MY6K17) (OPT B30MY6K17 (V97928))	A-AM	6
562	HL10VAZ6-16		..BOLT- (V60516) (SPEC BACB30MY6K16) (OPT B30MY6K16 (V97928))	A-AM	5
564	L8006-15		..BOLT- (V06725) (SPEC BACB30MY6K15) (OPT HL10VAZ6-15 (V0PTK6))	A-AM	4
566	HL10VAZ6-14		..BOLT- (V60516) (SPEC BACB30MY6K14) (OPT B30MY6K14 (V97928))	A-AM	2
568	HL11VAZ6-13		..BOLT- (V60516) (SPEC BACB30NW6K13) (OPT B30NW6K13 (V97928)) (OPT HL11VAZ6-13 (V73197)) (OPT HL11VAZ6-13 (V92215)) (OPT HL11VAZ6-13 (V97928)) (OPT L803-6K13 (V06725)) (OPT HL11VAZ6-13 (V0PTK6)) (OPT HL11VAZ6-13 (V56878))	A-AM	2

71-11-33

 ILLUSTRATED PARTS LIST
 01.1 Page 1034G
 Jul 01/04

FIG. & ITEM	PART NO.	AIRLINE PART NUMBER	NOMENCLATURE 1234567	EFF CODE	QTY PER ASSY
01-570	HL11VAZ6-12		..BOLT- (V60516) (SPEC BACB30NW6K12) (OPT B30NW6K12 (V97928)) (OPT HL11VAZ6-12 (V73197)) (OPT HL11VAZ6-12 (V92215)) (OPT HL11VAZ6-12 (V97928)) (OPT L803-6K12 (V06725)) (OPT HL11VAZ6-12 (V0PTK6)) (OPT HL11VAZ6-12 (V56878))	A-AM	2
572	HL79-6		..COLLAR- (V5M902) (SPEC BACC30M6) (OPT HL79-6 (V73197)) (OPT HL79-6 (V92215)) (OPT 66014-6 (V56878)) (OPT HL79-6 (V56878))	A-AM	16
574	HL82-6APBW		..COLLAR- (V5M902) (SPEC BACC30AG6) (OPT HL82-6APBW (V92215)) (OPT HL82-6APBW (V56878)) (OPT HL82-6APBW (V73197))	A-AM	28

71-11-33

 ILLUSTRATED PARTS LIST
 01.1 Page 1034H
 Jul 01/04

BOEING
 COMPONENT
 MAINTENANCE MANUAL

FIG. & ITEM	PART NO.	AIRLINE PART NUMBER	NOMENCLATURE	EFF CODE	QTY PER ASSY
01-576	HL1012AZ6-19		1234567 ..BOLT- (V97928) (SPEC BACB30NX6K19) (OPT HL12VAZ6-19 (V73197)) (OPT HL12VAZ6-19 (V92215)) (OPT HL12VAZ6-19 (V97928)) (OPT L802-6K19 (V06725)) (OPT HL12VAZ6-19 (V56878)) (OPT HL1012AZ6-19 (V0PTK6)) (OPT HL1012AZ6-19 (V06725)) (OPT HL1012AZ6-19 (V06950)) (OPT HL1012AZ6-19 (V17446)) (OPT HL1012AZ6-19 (V56878)) (OPT HL1012AZ6-19 (V60516)) (OPT HL1012AZ6-19 (V73197))	A-AM	7

71-11-33

ILLUSTRATED PARTS LIST
 01.1 Page 1034I
 Jul 01/04

FIG. & ITEM	PART NO.	AIRLINE PART NUMBER	NOMENCLATURE 1234567	EFF CODE	QTY PER ASSY
01-578	HL1012AZ6-13		..BOLT- (V97928) (SPEC BACB30NX6K13) (OPT HL12VAZ6-13 (V73197)) (OPT HL12VAZ6-13 (V92215)) (OPT HL12VAZ6-13 (V97928)) (OPT L802-6K13 (V06725)) (OPT HL1012AZ6-13 (V0PTK6)) (OPT HL1012AZ6-13 (V06725)) (OPT HL1012AZ6-13 (V06950)) (OPT HL1012AZ6-13 (V17446)) (OPT HL1012AZ6-13 (V56878)) (OPT HL1012AZ6-13 (V60516)) (OPT HL1012AZ6-13 (V73197)) (OPT HL12VAZ6-13 (V56878))	A-AM	2
580	HL1187DUW6		..COLLAR- (V5M902) (SPEC BACC30X6SW) (OPT HL87DUW6 (V73197)) (OPT HL87DUW6 (V92215)) (OPT HL1187DUW6 (V56878)) (OPT HL1187DUW6 (V92215)) (OPT HL87DUW6 (V56878)) (OPT HL1187DUW6 (V73197))	A-AM	9

71-11-33

ILLUSTRATED PARTS LIST

01.1 Page 1034J

Jul 01/04



BOEING
 COMPONENT
 MAINTENANCE MANUAL

FIG. & ITEM	PART NO.	AIRLINE PART NUMBER	NOMENCLATURE 1234567	EFF CODE	QTY PER ASSY
01-582	HL1012AZ8-19		..BOLT- (V97928) (SPEC BACB30NX8K19) (OPT HL12VAZ8-19 (V73197)) (OPT HL12VAZ8-19 (V92215)) (OPT HL12VAZ8-19 (V97928)) (OPT L802-8K19 (V06725)) (OPT HL12VAZ8-19 (V56878)) (OPT HL1012AZ8-19 (V73197)) (OPT HL1012AZ8-19 (V60516)) (OPT HL1012AZ8-19 (V56878)) (OPT HL1012AZ8-19 (V17446)) (OPT HL1012AZ8-19 (V06950)) (OPT HL1012AZ8-19 (V06725)) (OPT HL1012AZ8-19 (V0PTK6))	A-AM	4
584	HL1187DUW8		..COLLAR- (V5M902) (SPEC BACC30X8SW) (OPT HL87DUW8 (V73197)) (OPT HL87DUW8 (V92215)) (OPT HL1187DUW8 (V56878)) (OPT HL1187DUW8 (V92215)) (OPT HL87DUW8 (V56878)) (OPT HL1187DUW8 (V73197))	A-AM	4

71-11-33

ILLUSTRATED PARTS LIST
 01.1 Page 1034K
 Jul 01/04

FIG. & ITEM	PART NO.	AIRLINE PART NUMBER	NOMENCLATURE 1234567	EFF CODE	QTY PER ASSY
01-586	HL10VAZ5-22		..BOLT- (V60516) (SPEC BACB30MY5K22) (OPT B30MY5K22 (V97928))	A-AM	2
588	HL10VAZ5-21		..BOLT- (V60516) (SPEC BACB30MY5K21) (OPT B30MY5K21 (V97928))	A-AM	1
590	HL10VAZ5-18		..BOLT- (V60516) (SPEC BACB30MY5K18) (OPT B30MY5K18 (V97928))	A-AM	21
592	HL10VAZ5-17		..BOLT- (V60516) (SPEC BACB30MY5K17) (OPT B30MY5K17 (V97928))	A-AM	17
594	HL10VAZ5-16		..BOLT- (V60516) (SPEC BACB30MY5K16) (OPT B30MY5K16 (V97928))	A-AM	1
596	HL10VAZ5-15		..BOLT- (V60516) (SPEC BACB30MY5K15) (OPT B30MY5K15 (V97928))	A-AM	2

71-11-33

 ILLUSTRATED PARTS LIST
 01.1 Page 1034L
 Jul 01/04


BOEING
 COMPONENT
 MAINTENANCE MANUAL

FIG. & ITEM	PART NO.	AIRLINE PART NUMBER	NOMENCLATURE 1234567	EFF CODE	QTY PER ASSY
01-598	HL10VAZ5-14		..BOLT- (V60516) (SPEC BACB30MY5K14) (OPT B30MY5K14 (V97928))	A-AM	2
600	HL10VAZ5-13		..BOLT- (V60516) (SPEC BACB30MY5K13) (OPT B30MY5K13 (V97928))	A-AM	2
602	HL10VAZ5-12		..BOLT- (V60516) (SPEC BACB30MY5K12) (OPT B30MY5K12 (V97928))	A-AM	2
604	HL10VAZ5-11		..BOLT- (V60516) (SPEC BACB30MY5K11) (OPT B30MY5K11 (V97928))	A-AM	2
606	HL10VAZ5-10		..BOLT- (V60516) (SPEC BACB30MY5K10) (OPT B30MY5K10 (V97928))	A-AM	1
608	HL10VAZ5-5		..BOLT- (V60516) (SPEC BACB30MY5K5) (OPT B30MY5K5 (V97928))	A-AM	1

71-11-33

 ILLUSTRATED PARTS LIST
 01.1 Page 1034M
 Jul 01/04

FIG. & ITEM	PART NO.	AIRLINE PART NUMBER	NOMENCLATURE 1234567	EFF CODE	QTY PER ASSY
01-610	HL10VAZ5-3		..BOLT- (V60516) (SPEC BACB30MY5K3) (OPT B30MY5K3 (V97928))	A-AM	5
612	HL10VAZ5-2		..BOLT- (V60516) (SPEC BACB30MY5K2) (OPT B30MY5K2 (V97928))	A-AM	4
614	HL70-5		..COLLAR- (V5M902) (SPEC BACC30M5) (OPT HL70-5 (V73197)) (OPT HL70-5 (V92215)) (OPT 66014-5 (V56878)) (OPT HL70-5 (V56878))	A-AM	49
616	HL82-5APBW		..COLLAR- (V73197) (SPEC BACC30AG5) (OPT HL82-5APBW (V56878))	A-AM	14
618	NAS1398CW6-3		..RIVET	A-AM	1
620	NAS1398CW5-3		..RIVET	A-AM	1
622	BACR15CE6KE		..RIVET- (SIZE DETERMINE ON INST)	A-AM	1
624	BACR15CE5KE		..RIVET- (SIZE DETERMINE ON INST)	A-AM	1
626	315T3007-3		..FAIRING-FILLET	A-D,G ,J,K, M,S,U ,W,X, AA,AB AE,AF ,AJ,A L	1

71-11-33

ILLUSTRATED PARTS LIST

01.1 Page 1034N

Jul 01/04

BOEING
 COMPONENT
 MAINTENANCE MANUAL

FIG. & ITEM	PART NO.	AIRLINE PART NUMBER	NOMENCLATURE	EFF CODE	QTY PER ASSY
01-628	HL1012AZ6-14		1234567 ..BOLT- (V97928) (SPEC BACB30NX6K14) (OPT HL12VAZ6-14 (V73197)) (OPT HL12VAZ6-14 (V92215)) (OPT HL12VAZ6-14 (V97928)) (OPT L802-6K14 (V06725)) (OPT HL1012AZ6-14 (V0PTK6)) (OPT HL1012AZ6-14 (V06725)) (OPT HL1012AZ6-14 (V06950)) (OPT HL1012AZ6-14 (V17446)) (OPT HL1012AZ6-14 (V56878)) (OPT HL1012AZ6-14 (V60516)) (OPT HL1012AZ6-14 (V73197)) (OPT HL12VAZ6-14 (V56878))	A-AM	1

71-11-33

ILLUSTRATED PARTS LIST
 01.1 Page 10340
 Jul 01/04

FIG. & ITEM	PART NO.	AIRLINE PART NUMBER	NOMENCLATURE 1234567	EFF CODE	QTY PER ASSY
01-630	HL1012AZ6-13		..BOLT- (V97928) (SPEC BACB30NX6K13) (OPT HL12VAZ6-13 (V73197)) (OPT HL12VAZ6-13 (V92215)) (OPT HL12VAZ6-13 (V97928)) (OPT L802-6K13 (V06725)) (OPT HL1012AZ6-13 (V0PTK6)) (OPT HL1012AZ6-13 (V06725)) (OPT HL1012AZ6-13 (V06950)) (OPT HL1012AZ6-13 (V17446)) (OPT HL1012AZ6-13 (V56878)) (OPT HL1012AZ6-13 (V60516)) (OPT HL1012AZ6-13 (V73197)) (OPT HL12VAZ6-13 (V56878))	A-AM	2
632	HL82-6APBW		..COLLAR- (V5M902) (SPEC BACC30AG6) (OPT HL82-6APBW (V92215)) (OPT HL82-6APBW (V56878)) (OPT HL82-6APBW (V73197))	A-AM	3
634	315T3318-133		DELETED		
-636	315T3318-5007		DELETED		
-636A	315T3318-5009		DELETED		
-636B	315T3318-5011		DELETED		
-636C	315T3318-5013		DELETED		

71-11-33

 ILLUSTRATED PARTS LIST
 01.1 Page 1034P
 Jul 01/04

BOEING
 COMPONENT
 MAINTENANCE MANUAL

FIG. & ITEM	PART NO.	AIRLINE PART NUMBER	NOMENCLATURE 1234567	EFF CODE	QTY PER ASSY
01-					
-638	315T3318-134		DELETED		
-640	315T3318-5008		DELETED		
-640A	315T3318-5010		DELETED		
-642	332T3074-1		..TUBE INSTL-DRAIN	E, F, H , L, N-R, T , V, Y, Z, AC, AD AG, AH , AK, A M	1
644	HL10VAZ6-24		...BOLT- (V60516) (SPEC BACB30MY6K24) (OPT B30MY6K24 (V97928))	E, F, H , L, N-R, T , V, Y, Z, AC, AD AG, AH , AK, A M	1
646	BACW10BN3SP		...WASHER	E, F, H , L, N-R, T , V, Y, Z, AC, AD AG, AH , AK, A M	1

71-11-33

ILLUSTRATED PARTS LIST
 01.1 Page 1034Q
 Jul 01/04

FIG. & ITEM	PART NO.	AIRLINE PART NUMBER	NOMENCLATURE 1234567	EFF CODE	QTY PER ASSY
01-648	BRH10C3M		...NUT- (V52828) (SPEC BACN10JC3CM) (OPT T6C1032JM (V11815)) (OPT 97E02 (V80539)) (OPT 109LH9075-3W (V72962)) (OPT VN303D02 (V92215)) (OPT NS202101SE02 (V80539)) (OPT H01-3BAC (V15653))	E, F, H , L, N-R, T , V, Y, Z, AC, AD AG, AH , AK, A M	1
650	JM44LC13WS6R		...CLAMP- (V22175) (SPEC BACC10GE6) (OPT S369WH6 (V18076)) (OPT TA12C32WS6 (V84971)) (OPT 509S6 (V83930))	E, F, H , L, N-R, T , V, Y, Z, AC, AD AG, AH , AK, A M	1
652	NAS42DD6-19		...SPACER	E, F, H , L, N-R, T , V, Y, Z, AC, AD AG, AH , AK, A M	1

71-11-33

 ILLUSTRATED PARTS LIST
 01.1 Page 1034R
 Jul 01/04


BOEING
 COMPONENT
 MAINTENANCE MANUAL

FIG. & ITEM	PART NO.	AIRLINE PART NUMBER	NOMENCLATURE 1234567	EFF CODE	QTY PER ASSY
01-654	S258T16		...CLAMP- (V18076) (SPEC BACC10DW16S) (OPT TA4C44S16T (V84971)) (OPT 475CS16 (V83930)) (OPT 8084C16T (V72285))	E,F,H ,L, N-R,T ,V,Y, Z,AC, AD AG,AH ,AK,A M	1
656	BACS12CK3-24		...BOLT	E,F,H ,L, N-R,T ,V,Y, Z,AC, AD AG,AH ,AK,A M	2
658	BACW10BN3SP		...WASHER	E,F,H ,L, N-R,T ,V,Y, Z,AC, AD AG,AH ,AK,A M	2
660	BACS18AN16		...SPACER- (V07073) (SPEC BACS18AN16) (OPT BACS18AN16 (V15805)) (OPT BACS18AN16 (V99648))	E,F,H ,L, N-R,T ,V,Y, Z,AC, AD AG,AH ,AK,A M	1

71-11-33

ILLUSTRATED PARTS LIST

01.1 Page 1034S

Jul 01/04

FIG. & ITEM	PART NO.	AIRLINE PART NUMBER	NOMENCLATURE 1234567	EFF CODE	QTY PER ASSY
01-662	BRH10C3M		...NUT- (V52828) (SPEC BACN10JC3CM) (OPT T6C1032JM (V11815)) (OPT 97E02 (V80539)) (OPT 109LH9075-3W (V72962)) (OPT VN303D02 (V92215)) (OPT NS202101SE02 (V80539)) (OPT H01-3BAC (V15653))	E, F, H , L, N-R, T , V, Y, Z, AC, AD AG, AH , AK, A M	2
664	JM44SC17S16R		...CLAMP- (V22175) (SPEC BACC10GF16H) (OPT S386H16 (V18076)) (OPT TA12C34S16 (V84971)) (OPT 512S16 (V83930))	E, F, H , L, N-R, T , V, Y, Z, AC, AD AG, AH , AK, A M	1
666	BACS12CK3-8		...SCREW	E, F, H , L, N-R, T , V, Y, Z, AC, AD AG, AH , AK, A M	4
668	BACW10BN3SP		...WASHER	E, F, H , L, N-R, T , V, Y, Z, AC, AD AG, AH , AK, A M	1

71-11-33

 ILLUSTRATED PARTS LIST
 01.1 Page 1034T
 Jul 01/04

 **BOEING**
 COMPONENT
 MAINTENANCE MANUAL

FIG. & ITEM	PART NO.	AIRLINE PART NUMBER	NOMENCLATURE 1234567	EFF CODE	QTY PER ASSY
01-670	AN960C10L		...WASHER	E, F, H L, N-R, T V, Y, Z, AC, AD AG, AH AK, A M	3
672	BRH10C3M		...NUT- (V52828) (SPEC BACN10JC3CM) (OPT T6C1032JM (V11815)) (OPT 97E02 (V80539)) (OPT 109LH9075-3W (V72962)) (OPT VN303D02 (V92215)) (OPT NS202101SE02 (V80539)) (OPT H01-3BAC (V15653))	E, F, H L, N-R, T V, Y, Z, AC, AD AG, AH AK, A M	4
674	NAS514P1032-8P		...SCREW	E, F, H L, N-R, T V, Y, Z, AC, AD AG, AH AK, A M	5

71-11-33

ILLUSTRATED PARTS LIST
 01.1 Page 1034U
 Jul 01/04

FIG. & ITEM	PART NO.	AIRLINE PART NUMBER	NOMENCLATURE 1234567	EFF CODE	QTY PER ASSY
01-676	NAS620C10L		...WASHER	E, F, H L N-R, T V, Y Z, AC AD AG, AH AK, A M	5
678	CR59083		...NUT- (V62554) (SPEC BACN10HR3CS) (OPT H39953-3 (V15653)) (OPT SL7059C1032 (V11815)) (OPT 109LH9031-3 (V72962)) (OPT 67832AS1032 (V56878)) (OPT BMN5024CPD3-3 (V08524)) (OPT BH00303-3 (V27238)) (OPT BMN10HRCPD3-3 (V97928)) (OPT BH003033 (V27238)) (OPT BMN5024CPD33 (V97928)) (OPT SL705093 (V11815)) (OPT 109LH90313 (V72962)) (OPT 67832AS3 (V56878))	E, F, H L N-R, T V, Y Z, AC AD AG, AH AK, A M	5

71-11-33

 ILLUSTRATED PARTS LIST
 01.1 Page 1034V
 Jul 01/04

BOEING
 COMPONENT
 MAINTENANCE MANUAL

FIG. & ITEM	PART NO.	AIRLINE PART NUMBER	NOMENCLATURE 1234567	EFF CODE	QTY PER ASSY
01-680	D4848-1		...SEAL- (V75345) (SPEC 60B90602-1)	E, F, H , L, N-R, T , V, Y, Z, AC, AD AG, AH , AK, A M	1
682	AP1008-06JL		...CAP- (V01673) (SPEC BACC14AD06JL) (OPT DBOC14AD6JL (V14798)) (OPT FER22661-06JL (V14397)) (OPT 2-02813-04JL (V11328)) (OPT 4690009-06JL (V50948)) (OPT AFP241-06JL (V30974)) (OPT US2103-06JL (V50808))	E, F, H , L, N-R, T , V, Y, Z, AC, AD AG, AH , AK, A M	1
684	332T3071-22		...TUBE ASSY	E, F, H , L, N-R, T , V, Y, Z, AC, AD AG, AH , AK, A M	1

71-11-33

ILLUSTRATED PARTS LIST
 01.1 Page 1034W
 Jul 01/04

FIG. & ITEM	PART NO.	AIRLINE PART NUMBER	NOMENCLATURE 1234567	EFF CODE	QTY PER ASSY
01-					
686	NAS1398CW5-3		..RIVET	A-AM	1
688	NAS1398CW5-2		..RIVET	A-AM	1
690	BACR15FT5KE5		..RIVET	A-AM	2
692	BACR15FT5KE2		..RIVET	A-AM	23
694	BACR15CE6KE		..RIVET- (SIZE DETERMINE ON INST)	A-AM	1
696	BACR15CE5KE		..RIVET- (SIZE DETERMINE ON INST)	A-AM	1
698	BACR15BB5AD3		..RIVET	A-AM	1
700	HL10VAZ5-17		..BOLT- (V60516) (SPEC BACB30MY5K17) (OPT B30MY5K17 (V97928))	A-AM	26
702	HL10VAZ5-4		..BOLT- (V60516) (SPEC BACB30MY5K4) (OPT B30MY5K4 (V97928))	A-AM	3
704	HL10VAZ5-3		..BOLT- (V60516) (SPEC BACB30MY5K3) (OPT B30MY5K3 (V97928))	A-AM	3
706	HL70-5		..COLLAR- (V5M902) (SPEC BACC30M5) (OPT HL70-5 (V73197)) (OPT HL70-5 (V92215)) (OPT 66014-5 (V56878)) (OPT HL70-5 (V56878))	A-AM	30

71-11-33

 ILLUSTRATED PARTS LIST
 01.1 Page 1034X
 Jul 01/04


BOEING
 COMPONENT
 MAINTENANCE MANUAL

FIG. & ITEM	PART NO.	AIRLINE PART NUMBER	NOMENCLATURE 1234567	EFF CODE	QTY PER ASSY
01-707	BRH10C08M		..NUT- (V52828) (SPEC BACN10JC08CM) (OPT T6C832JM (V11815)) (OPT 97E82 (V80539)) (OPT 109LH9075-82W (V72962)) (OPT VN303D82 (V92215)) (OPT NS202101SE82 (V80539)) (OPT H01-08BAC (V15653))	A-AM	2
708	HL10VAZ6-20		..BOLT- (V60516) (SPEC BACB30MY6K20) (OPT B30MY6K20 (V97928))	A-AM	2
710	HL79-6		..COLLAR- (V5M902) (SPEC BACC30M6) (OPT HL79-6 (V73197)) (OPT HL79-6 (V92215)) (OPT 66014-6 (V56878)) (OPT HL79-6 (V56878))	A-AM	2
712	2ASPPFDT6-18		..COLLAR- (V17446)	A-AM	6
714	ASPFSDT6		..SLEEVE- (V17446)	A-AM	6
716	ASPLC2AC6		..COLLAR- (V17446)	A-AM	6
718	315T3008-1		..FAIRING-FILLET	A-D,G ,J,K, M,S,U ,W,X, AA,AB AE,AF ,AJ,A L	1

71-11-33

ILLUSTRATED PARTS LIST

01.1 Page 1034Y

Jul 01/04

FIG. & ITEM	PART NO.	AIRLINE PART NUMBER	NOMENCLATURE 1234567	EFF CODE	QTY PER ASSY
01- -720	315T3008-2		..FAIRING-FILLET	E,F,H L, N-R,T V,Y, Z,AC, AD AG,AH AK,A M	1
722	NAS1398CW5-3		..RIVET	A-AM	1
724	BACR15BB5AD3		..RIVET	A-AM	1
726	BACR15CE6KE		..RIVET- (SIZE DETERMINE ON INST)	A-AM	8
728	HL10VAZ6-21		..BOLT- (V60516) (SPEC BACB30MY6K21) (OPT B30MY6K21 (V97928))	A-AM	1
730	HL10VAZ6-20		..BOLT- (V60516) (SPEC BACB30MY6K20) (OPT B30MY6K20 (V97928))	A-AM	9
732	HL10VAZ6-18		..BOLT- (V60516) (SPEC BACB30MY6K18) (OPT B30MY6K18 (V97928))	A-AM	20
734	HL13VAZ6-21		..BOLT- (V56878) (SPEC BACB30NY6K21) (OPT HL13VAZ6-21 (V73197)) (OPT HL13VAZ6-21 (V92215)) (OPT HL13VAZ6-21 (V97928)) (OPT L801-6K21 (V06725)) (OPT HL13VAZ6-21 (V08524)) (OPT HL13V21 (V06725)) (OPT HL13VAZ6-21 (V17446))	A-AM	1

71-11-33

 ILLUSTRATED PARTS LIST
 01.1 Page 1034Z
 Jul 01/04


BOEING
 COMPONENT
 MAINTENANCE MANUAL

FIG. & ITEM	PART NO.	AIRLINE PART NUMBER	NOMENCLATURE 1234567	EFF CODE	QTY PER ASSY
01-736	HL79-6		..COLLAR- (V5M902) (SPEC BACC30M6) (OPT HL79-6 (V73197)) (OPT HL79-6 (V92215)) (OPT 66014-6 (V56878)) (OPT HL79-6 (V56878))	A-AM	31
738	HL1012AZ8-10		..BOLT- (VOPTK6) (SPEC BACB30NX8K10) (OPT HL12VAZ8-10 (V73197)) (OPT HL12VAZ8-10 (V92215)) (OPT HL12VAZ8-10 (V97928)) (OPT L802-8K10 (V06725)) (OPT HL12VAZ8-10 (V56878)) (OPT HL1012AZ8-10 (V06725)) (OPT HL1012AZ8-10 (V06950)) (OPT HL1012AZ8-10 (V17446)) (OPT HL1012AZ8-10 (V56878)) (OPT HL1012AZ8-10 (V60516)) (OPT HL1012AZ8-10 (V73197)) (OPT HL1012AZ8-10 (V97928))	A-AM	4

71-11-33

ILLUSTRATED PARTS LIST

01.1

Page 1035

Jul 01/04

FIG. & ITEM	PART NO.	AIRLINE PART NUMBER	NOMENCLATURE 1234567	EFF CODE	QTY PER ASSY
01-740	HL1187DUW8		..COLLAR- (V5M902) (SPEC BACC30X8SW) (OPT HL87DUW8 (V73197)) (OPT HL87DUW8 (V92215)) (OPT HL1187DUW8 (V56878)) (OPT HL1187DUW8 (V92215)) (OPT HL87DUW8 (V56878)) (OPT HL1187DUW8 (V73197))	A-AM	4
742	HL1012AZ6-10		..BOLT- (V97928) (SPEC BACB30NX6K10) (OPT HL12VAZ6-10 (V73197)) (OPT HL12VAZ6-10 (V92215)) (OPT HL12VAZ6-10 (V97928)) (OPT L802-6K10 (V06725)) (OPT HL12VAZ6-10 (V56878)) (OPT HL1012AZ6-10 (V0PTK6)) (OPT HL1012AZ6-10 (V06725)) (OPT HL1012AZ6-10 (V06950)) (OPT HL1012AZ6-10 (V17446)) (OPT HL1012AZ6-10 (V56878)) (OPT HL1012AZ6-10 (V60516)) (OPT HL1012AZ6-10 (V73197))	A-AM	2

71-11-33

 ILLUSTRATED PARTS LIST
 01.1 Page 1036
 Jul 01/04


BOEING
 COMPONENT
 MAINTENANCE MANUAL

FIG. & ITEM	PART NO.	AIRLINE PART NUMBER	NOMENCLATURE 1234567	EFF CODE	QTY PER ASSY
01-744	HL1187DUW6		..COLLAR- (V5M902) (SPEC BACC30X6SW) (OPT HL87DUW6 (V73197)) (OPT HL87DUW6 (V92215)) (OPT HL1187DUW6 (V56878)) (OPT HL1187DUW6 (V92215)) (OPT HL87DUW6 (V56878)) (OPT HL1187DUW6 (V73197))	A-AM	2
746	HL13VAZ6-10		..BOLT- (V56878) (SPEC BACB30NY6K10) (OPT HL13VAZ6-10 (V73197)) (OPT HL13VAZ6-10 (V92215)) (OPT HL13VAZ6-10 (V97928)) (OPT L801-6K10 (V06725)) (OPT HL13VAZ6-10 (V08524)) (OPT HL13V10 (V06725)) (OPT HL13VAZ6-10 (V17446))	A-AM	1

71-11-33

ILLUSTRATED PARTS LIST

01.1 Page 1036A

Jul 01/04

FIG. & ITEM	PART NO.	AIRLINE PART NUMBER	NOMENCLATURE 1234567	EFF CODE	QTY PER ASSY
01-748	HL13VAZ6-9		..BOLT- (V56878) (SPEC BACB30NY6K9) (OPT HL13VAZ6-9 (V73197)) (OPT HL13VAZ6-9 (V92215)) (OPT HL13VAZ6-9 (V97928)) (OPT L801-6K9 (V06725)) (OPT HL13VAZ6-9 (V08524)) (OPT HL13V9 (V06725)) (OPT HL13VAZ6-9 (V17446))	A-AM	1
750	HL13VAZ6-5		..BOLT- (V56878) (SPEC BACB30NY6K5) (OPT HL13VAZ6-5 (V73197)) (OPT HL13VAZ6-5 (V92215)) (OPT HL13VAZ6-5 (V97928)) (OPT L801-6K5 (V06725)) (OPT HL13VAZ6-5 (V08524)) (OPT HL13V5 (V06725)) (OPT HL13VAZ6-5 (V17446))	A-AM	2

71-11-33

 ILLUSTRATED PARTS LIST
 01.1 Page 1036B
 Jul 01/04


BOEING
 COMPONENT
 MAINTENANCE MANUAL

FIG. & ITEM	PART NO.	AIRLINE PART NUMBER	NOMENCLATURE 1234567	EFF CODE	QTY PER ASSY
01-752	HL1187DU6		..COLLAR- (V5M902) (SPEC BACC30X6S) (OPT HL87DU6 (V73197)) (OPT HL87DU6 (V92215)) (OPT HL1187DU6 (V56878)) (OPT HL1187DU6 (V92215)) (OPT HL87DU6 (V56878)) (OPT HL1187DU6 (V73197))	A-AM	4
754	ASPPFDT6-18		..PIN- (V17446)	A-AM	2
756	ASPPSDT6		..SLEEVE- (V17446)	A-AM	2
758	ASPLC2AC6		..COLLAR- (V17446)	A-AM	2
760	BACB30MY6F18		..BOLT	A-AM	3
762	H10-3BAC		..NUT- (V15653) (SPEC BACN10JC3) (OPT NS202101-02 (V80539)) (OPT RMLH9075-3W (V72962)) (OPT T6S1032J (V71087)) (OPT VN303A02 (V92215)) (OPT 96-02 (V80539)) (OPT BRH10A3 (V52828))	A-AM	3

71-11-33

 ILLUSTRATED PARTS LIST
 01.1 Page 1036C
 Jul 01/04

FIG. & ITEM	PART NO.	AIRLINE PART NUMBER	NOMENCLATURE 1234567	EFF CODE	QTY PER ASSY
01- 764 766	315T3400-209 315T3400-210		DELETED ..BIFURCATION ASSY-LWR (FOR DETAILS SEE FIG. 7)	E,F,H ,L, N-R,T ,V,Y, Z,AC, AD AG,AH ,AK,A M	1
768 770 772	BACB30LH3-20 AN960-10 BRH10C3M		..BOLT ..WASHER ..NUT- (V52828) (SPEC BACN10JC3CM) (OPT T6C1032JM (V11815)) (OPT 97E02 (V80539)) (OPT 109LH9075-3W (V72962)) (OPT VN303D02 (V92215)) (OPT NS202101SE02 (V80539)) (OPT H01-3BAC (V15653))	A-AM A-AM A-AM	1 1 1
774 776	BACB30LJ4-18 NAS1805-4N		..BOLT ..NUT	A-AM A-AM	2 2

71-11-33

 ILLUSTRATED PARTS LIST
 01.1 Page 1036D
 Jul 01/04


BOEING
 COMPONENT
 MAINTENANCE MANUAL

FIG. & ITEM	PART NO.	AIRLINE PART NUMBER	NOMENCLATURE 1234567	EFF CODE	QTY PER ASSY
01-778	HL13VAZ6-20		..BOLT- (V56878) (SPEC BACB30NY6K20) (OPT HL13VAZ6-20 (V73197)) (OPT HL13VAZ6-20 (V92215)) (OPT HL13VAZ6-20 (V97928)) (OPT L801-6K20 (V06725)) (OPT HL13VAZ6-20 (V08524)) (OPT HL13V20 (V06725)) (OPT HL13VAZ6-20 (V17446))	A-AM	2
780	HL10VAZ6-5		..BOLT- (V60516) (SPEC BACB30MY6K5) (OPT B30MY6K5 (V97928))	A-AM	4
782	HL79-6		..COLLAR- (V5M902) (SPEC BACC30M6) (OPT HL79-6 (V73197)) (OPT HL79-6 (V92215)) (OPT 66014-6 (V56878)) (OPT HL79-6 (V56878))	A-AM	6

71-11-33

 ILLUSTRATED PARTS LIST
 01.1 Page 1036E
 Jul 01/04

FIG. & ITEM	PART NO.	AIRLINE PART NUMBER	NOMENCLATURE 1234567	EFF CODE	QTY PER ASSY
01-784	HL13VAZ8-20		..BOLT- (V56878) (SPEC BACB30NY8K20) (OPT HL13VAZ8-20 (V73197)) (OPT HL13VAZ8-20 (V92215)) (OPT HL13VAZ8-20 (V97928)) (OPT L801-8K20 (V06725)) (OPT HL13VAZ8-20 (V08524)) (OPT HL13V20 (V06725)) (OPT HL13VAZ8-20 (V17446))	A-AM	2
786	HL79-8		..COLLAR- (V5M902) (SPEC BACC30M8) (OPT HL79-8 (V73197)) (OPT HL79-8 (V92215)) (OPT 66014-8 (V56878)) (OPT HL79-8 (V56878))	A-AM	2
788	315T3256-3		..PLATE-SPLICE	A-D,G ,J,K, M,S,U ,W,X, AA,AB AE,AF ,AJ,A L	1

71-11-33

 ILLUSTRATED PARTS LIST
 01.1 Page 1036F
 Jul 01/04


BOEING
 COMPONENT
 MAINTENANCE MANUAL

FIG. & ITEM	PART NO.	AIRLINE PART NUMBER	NOMENCLATURE 1234567	EFF CODE	QTY PER ASSY
01- -790	315T3256-4		..PLATE-SPLICE	E,F,H ,L, N-R,T ,V,Y, Z,AC, AD AG,AH ,AK,A M	1
792	315T3002-16		..STRAP	A-AM	1
794	BACS40R10C17F		..SHIM	A-AM	1
796	315T3409-1		..PAD ASSY-CPRSN FWD (OPT ITEM 796A)	A-D,G ,J,K, M,S,U ,W,X, AA,AB AE,AF ,AJ,A L	1
-796A	315T3409-7		..PAD ASSY-CPRSN FWD (OPT ITEM 796)	A-D,G ,J,K, M,S,U ,W,X, AA,AB AE,AF ,AJ,A L	1
-798	315T3409-2		..PAD ASSY-CPRSN FWD (OPT ITEM 798A)	E,F,H ,L, N-P,T ,V,Y, Z,AC, AD AG,AH ,AK,A M	1
-798A	315T3409-8		..PAD ASSY-CPRSN FWD (OPT ITEM 798)	E,F,H ,L, N-P,T ,V,Y, Z,AC, AD AG,AH ,AK,A M	1

71-11-33

ILLUSTRATED PARTS LIST

01.1 Page 1036G

Jul 01/04

FIG. & ITEM	PART NO.	AIRLINE PART NUMBER	NOMENCLATURE 1234567	EFF CODE	QTY PER ASSY
01-800	MS21209C0820P		...INSERT	A-AM	2
802	315T3409-3		...FITTING-PAD (USED ON ITEM 796)	A-D,G ,J,K, M,S,U ,W,X, AA,AB AE,AF ,AJ,A L	1
-802A	315T3409-9		...FITTING-PAD (USED ON ITEM 796A)	A-D,G ,J,K, M,S,U ,W,X, AA,AB AE,AF ,AJ,A L	1
-804	315T3409-4		...FITTING-PAD (USED ON ITEM 798)	E,F,H ,L, N-R,T ,V,Y, Z,AC, AD AG,AH ,AK,A M	1
-804A	315T3409-10		...FITTING-PAD (USED ON ITEM 798A)	E,F,H ,L, N-R,T ,V,Y, Z,AC, AD AG,AH ,AK,A M	1

71-11-33

ILLUSTRATED PARTS LIST

01.1 Page 1036H

Jul 01/04

BOEING
 COMPONENT
 MAINTENANCE MANUAL

FIG. & ITEM	PART NO.	AIRLINE PART NUMBER	NOMENCLATURE 1234567	EFF CODE	QTY PER ASSY
01-806	315T3204-7		..RING ASSY- (OPT ITEM 866) (PRE SB 767-78A0089)	A-D,G ,J,K, M,S,U ,W,X, AA,AB AE,AF ,AJ,A L	1
-806A	315T3204-21		..RING ASSY- (POST SB 767-78A0089) (FOR DETAILS SEE FIG. 15)	A-D,G ,J,K, M,S,U ,W,X, AA,AB AE,AF ,AJ,A L	1
-808	315T3204-8		..RING ASSY- (OPT ITEM 868) (PRE SB 767-78A0089)	E,F,H ,L, N-R,T ,V,Y, Z,AC, AD AG,AH ,AK,A M	1
-808A	315T3204-22		..RING ASSY- (POST SB 767-78A0089) (FOR DETAILS SEE FIG. 15)	E,F,H ,L, N-R,T ,V,Y, Z,AC, AD AG,AH ,AK,A M	1

71-11-33

ILLUSTRATED PARTS LIST
 01.1 Page 1036I
 Jul 01/04

FIG. & ITEM	PART NO.	AIRLINE PART NUMBER	NOMENCLATURE 1234567	EFF CODE	QTY PER ASSY
01-					
812	BACR15CE6KE7		...RIVET	A-AM	4
814	315T3222-2		...BUSHING	A-AM	1
816	HL13VAZ6-4		...BOLT- (V56878) (SPEC BACB30NY6K4) (OPT HL13VAZ6-4 (V73197)) (OPT HL13VAZ6-4 (V92215)) (OPT HL13VAZ6-4 (V97928)) (OPT L801-6K4 (V06725)) (OPT HL13VAZ6-4 (V08524)) (OPT HL13V4 (V06725)) (OPT HL13VAZ6-4 (V17446))	A-AM	72
818	HL11VAZ6-3		...BOLT- (V60516) (SPEC BACB30NW6K3) (OPT B30NW6K3 (V97928)) (OPT HL11VAZ6-3 (V73197)) (OPT HL11VAZ6-3 (V92215)) (OPT HL11VAZ6-3 (V97928)) (OPT L803-6K3 (V06725)) (OPT HL11VAZ6-3 (V0PTK6)) (OPT HL11VAZ6-3 (V56878))	A-AM	66

71-11-33

ILLUSTRATED PARTS LIST

01.1 Page 1036J

Jul 01/04

BOEING
 COMPONENT
 MAINTENANCE MANUAL

FIG. & ITEM	PART NO.	AIRLINE PART NUMBER	NOMENCLATURE 1234567	EFF CODE	QTY PER ASSY
01-820	HL79-6		...COLLAR- (V5M902) (SPEC BACC30M6) (OPT HL79-6 (V73197)) (OPT HL79-6 (V92215)) (OPT 66014-6 (V56878)) (OPT HL79-6 (V56878))	A-AM	138
822	315T3220-1		...STRIP-RUB	A-AM	6
824	BACR15CE8KE20		...RIVET	A-AM	5
826	BACR15BA8KE22		...RIVET	A-AM	5
828	BACR15CE8KE17		...RIVET	A-AM	5
830	BACR15BA8KE19		...RIVET	A-AM	5
832	HL11VAZ6-5		...BOLT- (V60516) (SPEC BACB30NW6K5) (OPT HL11V6-5 (V92215)) (OPT HL11V6-5 (V97928)) (OPT L803-6-5 (V06725)) (OPT B30NW6K5 (V97928)) (OPT HL11VAZ6-5 (V73197)) (OPT HL11VAZ6-5 (V92215)) (OPT HL11VAZ6-5 (V56878))	A-AM	4
834	HL10VAZ6-4		...BOLT- (V60516) (SPEC BACB30MY6K4) (OPT B30MY6K4 (V97928))	A-AM	5

71-11-33

FIG. & ITEM	PART NO.	AIRLINE PART NUMBER	NOMENCLATURE 1234567	EFF CODE	QTY PER ASSY
01-836	HL79-6		...COLLAR- (V5M902) (SPEC BACC30M6) (OPT HL79-6 (V73197)) (OPT HL79-6 (V92215)) (OPT 66014-6 (V56878)) (OPT HL79-6 (V56878))	A-AM	9
838	BACS40R21B29F		...SHIM	A-AM	AR
840	BACS40R22C65F		...SHIM	A-AM	AR
842	BACS40R11B2833F		...SHIM	A-AM	AR
844	BACS40R21B35F		...SHIM	A-AM	AR
846	BACS40R22C58F		...SHIM	A-AM	AR
848	BACS40R11B28F		...SHIM	A-AM	AR
850	315T3216-1		...FITTING	A-D,G ,J,K, M,S,U ,W,X, AA,AB AE,AF ,AJ,A L	1
-852	315T3216-2		...FITTING	E,F,H ,L, N-R,T ,V,Y, Z,AC, AD AG,AH ,AK,A M	1

71-11-33

ILLUSTRATED PARTS LIST

01.1 Page 1036L

Jul 01/04

BOEING
 COMPONENT
 MAINTENANCE MANUAL

FIG. & ITEM	PART NO.	AIRLINE PART NUMBER	NOMENCLATURE 1234567	EFF CODE	QTY PER ASSY
01-854	315T3203-1		...FITTING	A-D,G ,J,K, M,S,U ,W,X, AA,AB AE,AF ,AJ,A L	1
-856	315T3203-2		...FITTING	E,F,H ,L, N-R,T ,V,Y, Z,AC, AD AG,AH ,AK,A M	1
-858	315T3664-1		...BUSHING INSTL-(REWORK)	A-D,G ,J,K, M,S,U ,W,X, AA,AB AE,AF ,AJ,A L	1
-860	315T3664-2		...BUSHING INSTL-(REWORK)	E,F,H ,L, N-R,T ,V,Y, Z,AC, AD AG,AH ,AK,A M	1

71-11-33

ILLUSTRATED PARTS LIST
 01.1 Page 1036M
 Jul 01/04

FIG. & ITEM	PART NO.	AIRLINE PART NUMBER	NOMENCLATURE 1234567	EFF CODE	QTY PER ASSY
01- 862 864 866	315T3222-3 BACR15CE6KE7 315T3204-5	BUSHINGRIVET ..RING ASSY- (OPT ITEM 806) (PRE SB 767-78A0089)	A-AM A-AM A-D,G ,J,K, M,S,U ,W,X, AA,AB AE,AF ,AJ,A L	1 4 1
-866A	315T3204-21		..RING ASSY- (POST SB 767-78A0089) (FOR DETAILS SEE FIG. 15)	A-D,G ,J,K, M,S,U ,W,X, AA,AB AE,AF ,AJ,A L	1
-868	315T3204-6		..RING ASSY- (OPT ITEM 808) (PRE SB 767-78A0089)	E,F,H ,L, N-R,T ,V,Y, Z,AC, AD AG,AH ,AK,A M	1
-868A	315T3204-22		..RING ASSY- (POST SB 767-78A0089) (FOR DETAILS SEE FIG. 15)	E,F,H ,L, N-R,T ,V,Y, Z,AC, AD AG,AH ,AK,A M	1

71-11-33

ILLUSTRATED PARTS LIST

01.1 Page 1036N

Jul 01/04

BOEING
 COMPONENT
 MAINTENANCE MANUAL

FIG. & ITEM	PART NO.	AIRLINE PART NUMBER	NOMENCLATURE 1234567	EFF CODE	QTY PER ASSY
01- -870	315T3204-5001		...RING ASSY- (LIMITED)	A-D,G ,J,K, M,S,U ,W,X, AA,AB AE,AF ,AJ,A L	1
-870A	315T3204-5003		...RING ASSY- (LIMITED)	A-D,G ,J,K, M,S,U ,W,X, AA,AB AE,AF ,AJ,A L	1
-870B	315T3204-5005		...RING ASSY- (LIMITED)	A-D,G ,J,K, M,S,U ,W,X, AA,AB AE,AF ,AJ,A L	1
-870C	315T3204-5007		...RING ASSY- (LIMITED)	A-D,G ,J,K, M,S,U ,W,X, AA,AB AE,AF ,AJ,A L	1
-870D	315T3204-5009		...RING ASSY- (LIMITED)	A-D,G ,J,K, M,S,U ,W,X, AA,AB AE,AF ,AJ,A L	1

71-11-33

ILLUSTRATED PARTS LIST
 01.1 Page 10360
 Jul 01/04

FIG. & ITEM	PART NO.	AIRLINE PART NUMBER	NOMENCLATURE 1234567	EFF CODE	QTY PER ASSY
01- -872	315T3204-5002		...RING ASSY- (LIMITED)	E, F, H L, N-R, T V, Y, Z, AC, AD AG, AH AK, A M	1
-872A	315T3204-5004		...RING ASSY- (LIMITED)	E, F, H L, N-R, T V, Y, Z, AC, AD AG, AH AK, A M	1
-872B	315T3204-5006		...RING ASSY- (LIMITED)	E, F, H L, N-R, T V, Y, Z, AC, AD AG, AH AK, A M	1
-872C	315T3204-5008		...RING ASSY- (LIMITED)	E, F, H L, N-R, T V, Y, Z, AC, AD AG, AH AK, A M	1
-872D	315T3204-5010		...RING ASSY- (LIMITED)	E, F, H L, N-R, T V, Y, Z, AC, AD AG, AH AK, A M	1

71-11-33

 ILLUSTRATED PARTS LIST
 01.1 Page 1036P
 Jul 01/04


BOEING
 COMPONENT
 MAINTENANCE MANUAL

FIG. & ITEM	PART NO.	AIRLINE PART NUMBER	NOMENCLATURE 1234567	EFF CODE	QTY PER ASSY
01-874	BACR15CE6KE7	RIVET- (PRE SB 767-78A0089)	A-AM	4
-874A	MS90353-0603	RIVET- (POST SB 767-78A0089)	A-AM	4
876	315T3222-4	BUSHING- (USED ON ITEMS 870, 870A, 870B, 870C, 872, 872A, 872B, 872C) (PRE SB 767-78A0089)	A-AM	1
-876A	315T3222-5	BUSHING- (USED ON ITEMS 870D, 872D) (PRE SB 767-78A0089)	A-AM	1
877	315T3222-10	BUSHING- (POST SB 767-78A0089)	A-AM	1
878	HL13VAZ6-4	BOLT- (V56878) (SPEC BACB30NY6K4) (OPT HL13VAZ6-4 (V73197)) (OPT HL13VAZ6-4 (V92215)) (OPT HL13VAZ6-4 (V97928)) (OPT L801-6K4 (V06725)) (OPT HL13VAZ6-4 (V08524)) (OPT HL13V4 (V06725)) (OPT HL13VAZ6-4 (V17446))	A-AM	72

71-11-33

 ILLUSTRATED PARTS LIST
 01.1 Page 1036Q
 Jul 01/04

FIG. & ITEM	PART NO.	AIRLINE PART NUMBER	NOMENCLATURE 1234567	EFF CODE	QTY PER ASSY
01-880	HL11VAZ6-3	BOLT- (V60516) (SPEC BACB30NW6K3) (OPT B30NW6K3 (V97928)) (OPT HL11VAZ6-3 (V73197)) (OPT HL11VAZ6-3 (V92215)) (OPT HL11VAZ6-3 (V97928)) (OPT L803-6K3 (V06725)) (OPT HL11VAZ6-3 (V0PTK6)) (OPT HL11VAZ6-3 (V56878))	A-AM	66
882	HL79-6	COLLAR- (V5M902) (SPEC BACC30M6) (OPT HL79-6 (V73197)) (OPT HL79-6 (V92215)) (OPT 66014-6 (V56878)) (OPT HL79-6 (V56878))	A-AM	138
884	315T3220-1	STRIP-RUB	A-AM	6
886	BACR15CE8KE20	RIVET	A-AM	5
888	BACR15CE8KE22	RIVET	A-AM	5
890	BACR15CE8KE17	RIVET	A-AM	5
892	BACR15CE8KE19	RIVET	A-AM	5

71-11-33

 ILLUSTRATED PARTS LIST
 01.1 Page 1036R
 Jul 01/04


BOEING
 COMPONENT
 MAINTENANCE MANUAL

FIG. & ITEM	PART NO.	AIRLINE PART NUMBER	NOMENCLATURE 1234567	EFF CODE	QTY PER ASSY
01-894	HL11VAZ6-5	BOLT- (V60516) (SPEC BACB30NW6K5) (OPT HL11V6-5 (V92215)) (OPT HL11V6-5 (V97928)) (OPT L803-6-5 (V06725)) (OPT B30NW6K5 (V97928)) (OPT HL11VAZ6-5 (V73197)) (OPT HL11VAZ6-5 (V92215)) (OPT HL11VAZ6-5 (V56878))	A-AM	4
896	HL10VAZ6-4	BOLT- (V60516) (SPEC BACB30MY6K4) (OPT B30MY6K4 (V97928))	A-AM	5
898	HL79-6	COLLAR- (V5M902) (SPEC BACC30M6) (OPT HL79-6 (V73197)) (OPT HL79-6 (V92215)) (OPT 66014-6 (V56878)) (OPT HL79-6 (V56878))	A-AM	9

71-11-33

ILLUSTRATED PARTS LIST

01.1 Page 1036S

Jul 01/04

FIG. & ITEM	PART NO.	AIRLINE PART NUMBER	NOMENCLATURE 1234567	EFF CODE	QTY PER ASSY
01-					
900	BACS40R21B29F	SHIM	A-AM	AR
902	BACS40R22C65F	SHIM	A-AM	AR
904	BACS40R11B2833F	SHIM	A-AM	AR
906	BACS40R21B35F	SHIM	A-AM	AR
908	BACS40R22C58F	SHIM	A-AM	AR
910	BACS40R11B28F	SHIM	A-AM	AR
912	315T3216-3	FITTING- (USED ON ITEMS 870, 870A, 870B)	A-D,G ,J,K, M,S,U ,W,X, AA,AB AE,AF ,AJ,A L	1
-912A	315T3216-7	FITTING- (USED ON ITEMS 870C, 870D)	A-D,G ,J,K, M,S,U ,W,X, AA,AB AE,AF ,AJ,A L	1
-914	315T3216-4	FITTING- (USED ON ITEMS 872, 872A, 872B)	E,F,H ,L, N-R,T ,V,Y, Z,AC, AD AG,AH ,AK,A M	1
-914A	315T3216-8	FITTING- (USED ON ITEMS 872C, 872D)	E,F,H ,L, N-R,T ,V,Y, Z,AC, AD AG,AH ,AK,A M	1

71-11-33

ILLUSTRATED PARTS LIST

01.1 Page 1036T

Jul 01/04


BOEING
 COMPONENT
 MAINTENANCE MANUAL

FIG. & ITEM	PART NO.	AIRLINE PART NUMBER	NOMENCLATURE 1234567	EFF CODE	QTY PER ASSY
01-916	315T3203-3	FITTING	A-D,G ,J,K, M,S,U ,W,X, AA,AB AE,AF ,AJ,A L	1
-918	315T3203-4	FITTING	E,F,H ,L, N-R,T ,V,Y, Z,AC, AD AG,AH ,AK,A M	1
920	315T3240-1		..SEAL INSTL-THRUST REVERSER AERODYN (FOR DETAILS SEE FIG. 8)	A-D,G ,J,K, M,S,U ,W,X, AA,AB AE,AF ,AJ,A L	1
-922	315T3240-2		..SEAL INSTL-THRUST REVERSER AERODYN (FOR DETAILS SEE FIG. 8)	E,F,H ,L, N-R,T ,V,Y, Z,AC, AD AG,AH ,AK,A M	1

71-11-33

ILLUSTRATED PARTS LIST

01.1 Page 1036U

Jul 01/04

FIG. & ITEM	PART NO.	AIRLINE PART NUMBER	NOMENCLATURE 1234567	EFF CODE	QTY PER ASSY
01- -924	315T3122-1		..DUCT INSTL-INLET FTG	A-D,G ,J,K, M,S,U ,W,X, AA,AB AE,AF ,AJ,A L	1
926	NAS514P1032-8P		...SCREW	A-D,G ,J,K, M,S,U ,W,X, AA,AB AE,AF ,AJ,A L	5
928	AN960PD10L		...WASHER	A-D,G ,J,K, M,S,U ,W,X, AA,AB AE,AF ,AJ,A L	5
930	H10-3BAC		...NUT- (V15653) (SPEC BACN10JC3) (OPT NS202101-02 (V80539)) (OPT RMLH9075-3W (V72962)) (OPT T6S1032J (V71087)) (OPT VN303A02 (V92215)) (OPT 96-02 (V80539)) (OPT BRH10A3 (V52828))	A-D,G ,J,K, M,S,U ,W,X, AA,AB AE,AF ,AJ,A L	5

71-11-33

 ILLUSTRATED PARTS LIST
 01.1 Page 1036V
 Jul 01/04


BOEING
 COMPONENT
 MAINTENANCE MANUAL

FIG. & ITEM	PART NO.	AIRLINE PART NUMBER	NOMENCLATURE 1234567	EFF CODE	QTY PER ASSY
01-932	D4848-1		...SEAL- (V75345) (SPEC 60B90602-1)	A-D,G ,J,K, M,S,U ,W,X, AA,AB AE,AF ,AJ,A L	1
934	HL505-6-17		...BOLT- (V60516) (SPEC BACB30HA6R17) (OPT HL505-6-17 (V92215)) (OPT HL505-6-17 (V73197))	A-D,G ,J,K, M,S,U ,W,X, AA,AB AE,AF ,AJ,A L	12
936	315T3122-3		...SHIM- (MFD FROM AL SH PER BAC1534-15 .015 IN .80 IN .80 IN)	A-D,G ,J,K, M,S,U ,W,X, AA,AB AE,AF ,AJ,A L	12
938	HL77-6		...COLLAR- (V5M902) (SPEC BACC30P6) (OPT HL77-6 (V73197)) (OPT HL77-6 (V92215)) (OPT 66015-6 (V56878)) (OPT HL77-6 (V56878))	A-D,G ,J,K, M,S,U ,W,X, AA,AB AE,AF ,AJ,A L	12

71-11-33

ILLUSTRATED PARTS LIST

01.1 Page 1036W

Jul 01/04

FIG. & ITEM	PART NO.	AIRLINE PART NUMBER	NOMENCLATURE 1234567	EFF CODE	QTY PER ASSY
01-940	315T3121-1		...DUCT ASSY	A-D,G ,J,K, M,S,U ,W,X, AA,AB AE,AF ,AJ,A L	1
942	BACB30MB5	BOLT- (SIZE DETERMINE ON INST)	A-D,G ,J,K, M,S,U ,W,X, AA,AB AE,AF ,AJ,A L	2
944	BACB30JC5A	BOLT- (SIZE DETERMINE ON INST)	A-D,G ,J,K, M,S,U ,W,X, AA,AB AE,AF ,AJ,A L	2
946	HL1187-5	COLLAR- (V5M902) (SPEC BACC30X5) (OPT HL87-5 (V73197)) (OPT HL87-5 (V92215)) (OPT HL86PB5 (V73197)) (OPT HL86PB5 (V56878)) (OPT HL86PB5 (V92215)) (OPT HL1187-5 (V56878)) (OPT HL1187-5 (V92215)) (OPT HL87-5 (V56878)) (OPT HL1187-5 (V73197))	A-D,G ,J,K, M,S,U ,W,X, AA,AB AE,AF ,AJ,A L	4

71-11-33

 ILLUSTRATED PARTS LIST
 01.1 Page 1036X
 Jul 01/04


BOEING
 COMPONENT
 MAINTENANCE MANUAL

FIG. & ITEM	PART NO.	AIRLINE PART NUMBER	NOMENCLATURE 1234567	EFF CODE	QTY PER ASSY
01-948	315T3121-7	STIFFENER	A-D,G ,J,K, M,S,U ,W,X, AA,AB AE,AF ,AJ,A L	1
950	315T3121-2	DUCT	A-D,G ,J,K, M,S,U ,W,X, AA,AB AE,AF ,AJ,A L	1
-952	315T3124-5		..DUCT INSTL-EXH	A-D,G ,J,K, M,S,U ,W,X, AA,AB AE,AF ,AJ,A L	1
954	HL11VAZ6-19		...BOLT- (V60516) (SPEC BACB30NW6K19) (OPT B30NW6K19 (V97928)) (OPT HL11VAZ6-19 (V73197)) (OPT HL11VAZ6-19 (V92215)) (OPT HL11VAZ6-19 (V97928)) (OPT L803-6K19 (V06725)) (OPT HL11VAZ6-19 (V0PTK6)) (OPT HL11VAZ6-19 (V56878))	A-D,G ,J,K, M,S,U ,W,X, AA,AB AE,AF ,AJ,A L	16

71-11-33

ILLUSTRATED PARTS LIST

01.1 Page 1036Y

Jul 01/04

FIG. & ITEM	PART NO.	AIRLINE PART NUMBER	NOMENCLATURE 1234567	EFF CODE	QTY PER ASSY
01-956	BACS40R7B10F		...SHIM	A-D,G ,J,K, M,S,U ,W,X, AA,AB AE,AF ,AJ,A L	AR
958 958A	BACC30AB6 HL97DU6		DELETED ...COLLAR- (V73197) (SPEC BACC30AB6S) (OPT HL97DU6 (V92215)) (OPT HL97DU6 (V56878))	A-D,G ,J,K, M,S,U ,W,X, AA,AB AE,AF ,AJ,A L	16
960	315T3135-1		...GASKET	A-D,G ,J,K, M,S,U ,W,X, AA,AB AE,AF ,AJ,A L	2
962	315T3135-2		...GASKET	A-D,G ,J,K, M,S,U ,W,X, AA,AB AE,AF ,AJ,A L	1

71-11-33

ILLUSTRATED PARTS LIST

01.1 Page 1036Z

Jul 01/04


BOEING
 COMPONENT
 MAINTENANCE MANUAL

FIG. & ITEM	PART NO.	AIRLINE PART NUMBER	NOMENCLATURE 1234567	EFF CODE	QTY PER ASSY
01-964	315T3135-3		...GASKET	A-D,G ,J,K, M,S,U ,W,X, AA,AB AE,AF ,AJ,A L	1
966	NAS514P1032-8P		...SCREW- (REPLS ITEM 966A)	A-D,G ,J,K, M,S,U ,W,X, AA,AB AE,AF ,AJ,A L	8
-966A	NAS514P1032-12P		...SCREW- (REPLD BY ITEM 966)	A-D,G ,J,K, M,S,U ,W,X, AA,AB AE,AF ,AJ,A L	8
968	AN960XC10		...WASHER	A-D,G ,J,K, M,S,U ,W,X, AA,AB AE,AF ,AJ,A L	8

71-11-33

ILLUSTRATED PARTS LIST

01.1

Page 1037

Jul 01/04

FIG. & ITEM	PART NO.	AIRLINE PART NUMBER	NOMENCLATURE 1234567	EFF CODE	QTY PER ASSY
01-970	BRH10C3		...NUT- (V52828) (SPEC BACN10JC3C) (OPT T6C1032J (V11815)) (OPT 97-02 (V80539)) (OPT 101LH9075-3W (V72962)) (OPT VN303B02 (V92215)) (OPT NS202101S02 (V80539)) (OPT H31-3BAC (V15653))	A-D,G ,J,K, M,S,U ,W,X, AA,AB AE,AF ,AJ,A L	8
972	315T3124-7		...SHIM- (LIMITED) (MFD FROM SH AIAI 301 7.9 X 7.9 X .100 PER MIL-S-5059) (USED WITH ITEMS 966A, 974)	A-D,G ,J,K, M,S,U ,W,X, AA,AB AE,AF ,AJ,A L	2
974	BOE2040		...SEAL- (REPLD BY ITEM 976) (V16632) (SPEC S332T308-1) (BOE2040-0004 I/W BOE2040 AT SURGE BLEED PORT NO. 1) (BOE2040-0004 I/W BOE2040 TOGETHER WITH 3 EACH 315T3124-7 SHIMS AT SURGE BLEED PORT NO. 2) (BOE2040-0004 I/W BOE2040 TOGETHER WITH 2 EACH 315T3124-7 SHIMS AT SURGE BLEED PORT NO. 4)	A-D,G ,J,K, M,S,U ,W,X, AA,AB AE,AF ,AJ,A L	1

71-11-33

 ILLUSTRATED PARTS LIST
 01.1 Page 1038
 Jul 01/04

BOEING
 COMPONENT
 MAINTENANCE MANUAL

FIG. & ITEM	PART NO.	AIRLINE PART NUMBER	NOMENCLATURE	EFF CODE	QTY PER ASSY
01-976	BOE2040-0004		1234567 ...SEAL- (REPLS ITEM 974) (V16632) (SPEC S332T308-4) (BOE2040-0004 I/W BOE2040 AT SURGE BLEED PORT NO. 1) (BOE2040-0004 I/W BOE2040 TOGETHER WITH 3 EACH 315T3124-7 SHIMS AT SURGE BLEED PORT NO. 2) (BOE2040-0004 I/W BOE2040 TOGETHER WITH 2 EACH 315T3124-7 SHIMS AT SURGE BLEED PORT NO. 4)	A-D,G ,J,K, M,S,U ,W,X, AA,AB AE,AF ,AJ,A L	1
978	HL11VAZ6-4		...BOLT- (V60516) (SPEC BACB30NW6K4) (OPT HL11V6-4 (V92215)) (OPT HL11V6-4 (V97928)) (OPT L803-6-4 (V06725)) (OPT B30NW6K4 (V97928)) (OPT HL11VAZ6-4 (V73197)) (OPT HL11VAZ6-4 (V92215)) (OPT HL11VAZ6-4 (V56878))	A-D,G ,J,K, M,S,U ,W,X, AA,AB AE,AF ,AJ,A L	5

71-11-33

ILLUSTRATED PARTS LIST
 01.1 Page 1038A
 Jul 01/04

FIG. & ITEM	PART NO.	AIRLINE PART NUMBER	NOMENCLATURE 1234567	EFF CODE	QTY PER ASSY
01-980	HL11VAZ6-3		...BOLT- (V60516) (SPEC BACB30NW6K3) (OPT B30NW6K3 (V97928)) (OPT HL11VAZ6-3 (V73197)) (OPT HL11VAZ6-3 (V92215)) (OPT HL11VAZ6-3 (V97928)) (OPT L803-6K3 (V06725)) (OPT HL11VAZ6-3 (V0PTK6)) (OPT HL11VAZ6-3 (V56878))	A-D,G ,J,K, M,S,U ,W,X, AA,AB AE,AF ,AJ,A L	12
982 982A	BACC30AB6 HL97DU6		DELETED ...COLLAR- (V73197) (SPEC BACC30AB6S) (OPT HL97DU6 (V92215)) (OPT HL97DU6 (V56878))	A-D,G ,J,K, M,S,U ,W,X, AA,AB AE,AF ,AJ,A L	17
984	315T3123-37		...DUCT ASSY	A-D,G ,J,K, M,S,U ,W,X, AA,AB AE,AF ,AJ,A L	1

71-11-33

ILLUSTRATED PARTS LIST

01.1 Page 1038B

Jul 01/04


BOEING
 COMPONENT
 MAINTENANCE MANUAL

FIG. & ITEM	PART NO.	AIRLINE PART NUMBER	NOMENCLATURE 1234567	EFF CODE	QTY PER ASSY
01- 986	315T3126-1		..DUCT INSTL-INLET PRECOOLER (FOR DETAILS SEE FIG. 9)	E,F,H ,L, N-P,T ,V,Y, Z,AC, AD AG,AH ,AK,A M	1

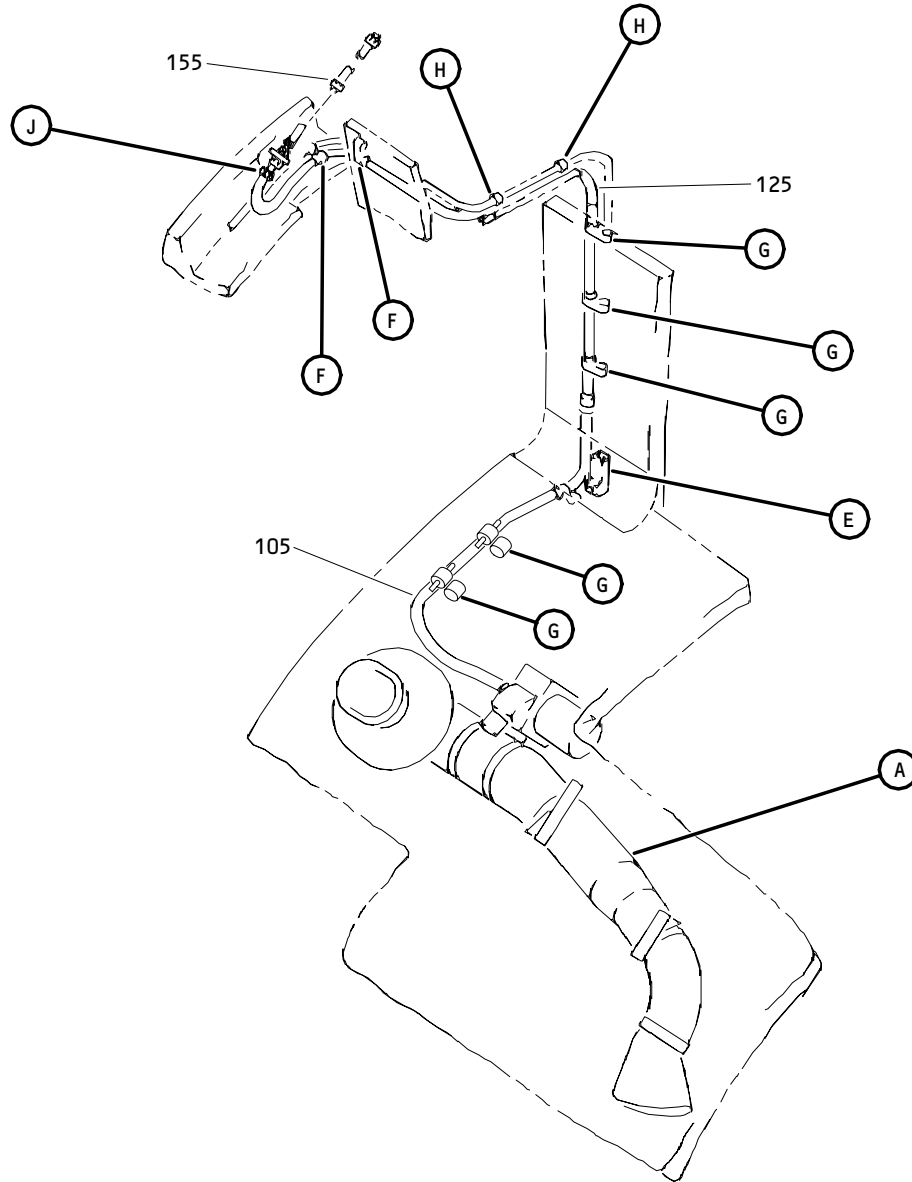
- Item Not Illustrated

71-11-33

ILLUSTRATED PARTS LIST

01.1 Page 1038C

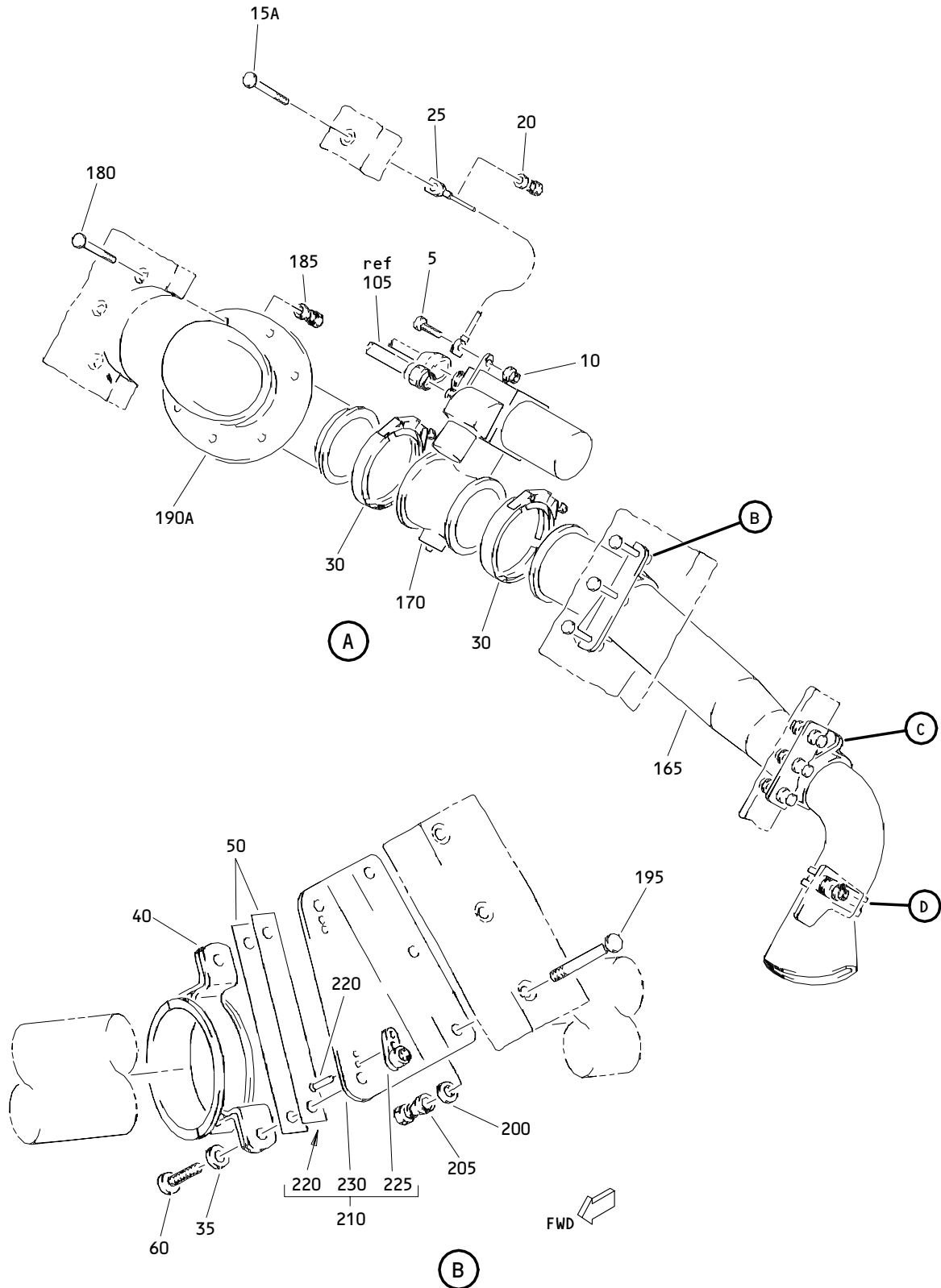
Jul 01/04



Zone Ventilation System Installation
Figure 2 (Sheet 1)

71-11-33

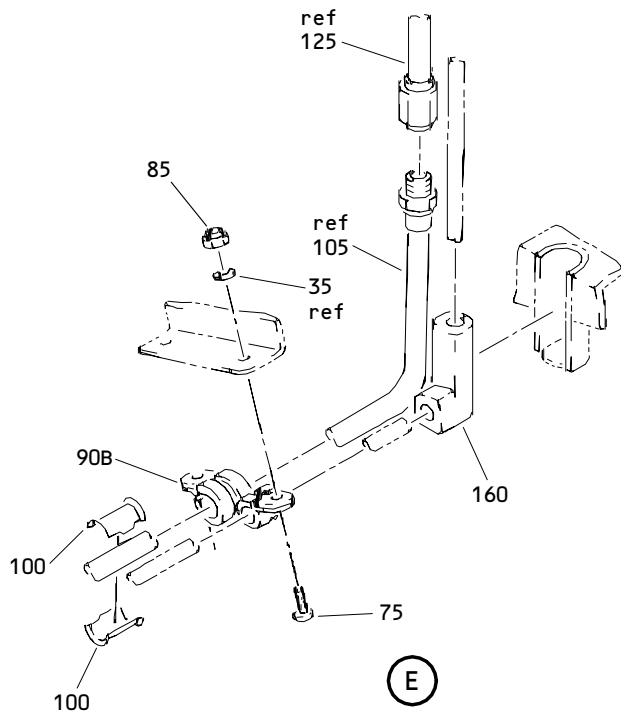
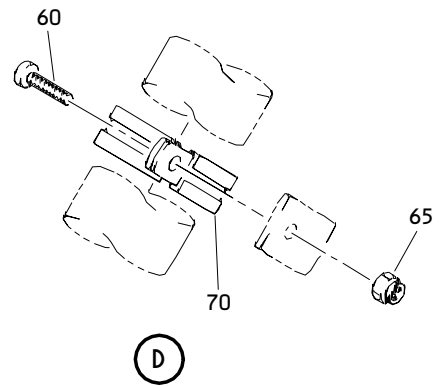
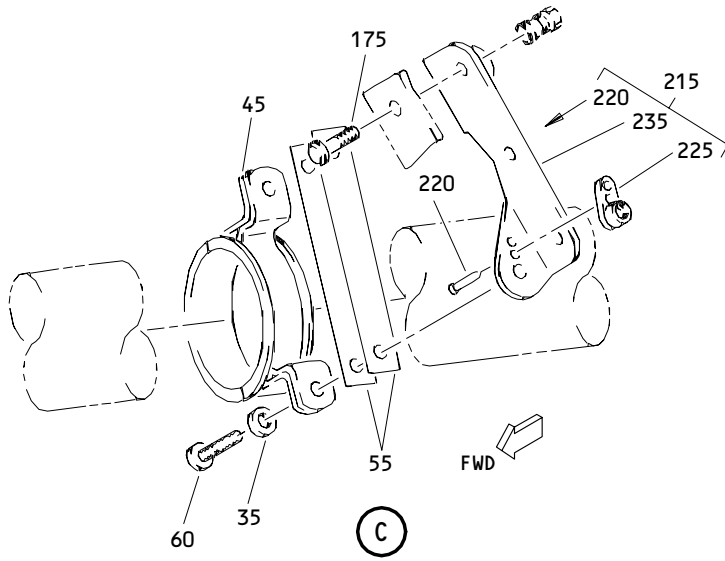
ILLUSTRATED PARTS LIST
01.1 Page 1038E
Jul 01/04



Zone Ventilation System Installation
 Figure 2 (Sheet 2)

71-11-33

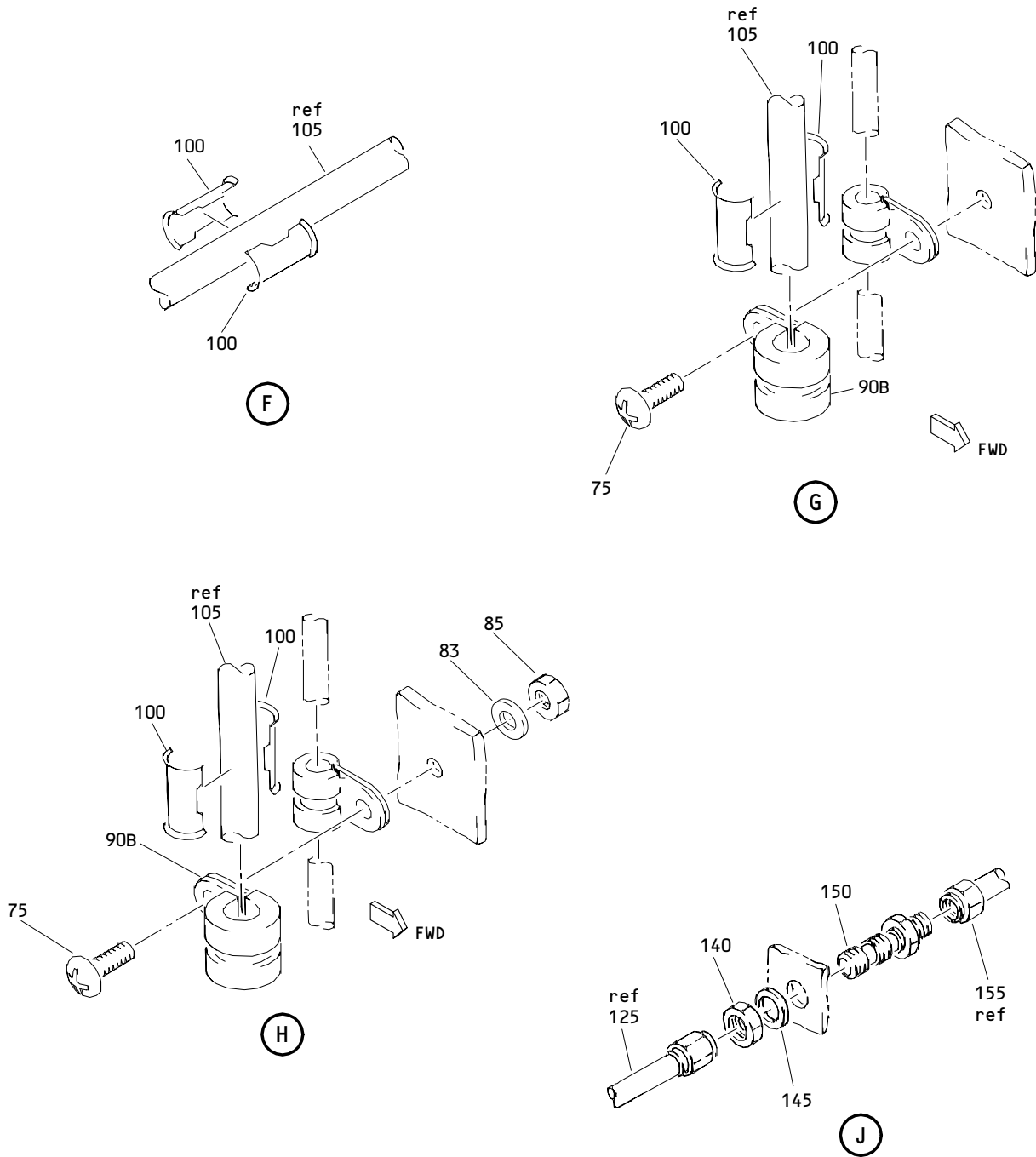
ILLUSTRATED PARTS LIST
 01.1 Page 1038F
 Jul 01/04



Zone Ventilation System Installation
Figure 2 (Sheet 3)

71-11-33

ILLUSTRATED PARTS LIST
01.1 Page 1038G
Jul 01/04



Zone Ventilation System Installation
 Figure 2 (Sheet 4)

71-11-33

ILLUSTRATED PARTS LIST
 01.1 Page 1038H
 Jul 01/04

BOEING
 COMPONENT
 MAINTENANCE MANUAL

FIG. & ITEM	PART NO.	AIRLINE PART NUMBER	NOMENCLATURE	EFF CODE	QTY PER ASSY
02-1	315T3128-17		1234567 SYSTEM INSTL-ZONE VENTILATION	A-D,G ,J,K, M,S,U ,W,X, AA,AB AE,AF ,AJ,A L,AN, AQ,AS ,AU AW,AY ,BA,B C,BE, BG	RF
5	BACS12CK4U8		.SCREW	A-D,G ,J,K, M,S,U ,W,X, AA,AB AE,AF ,AJ,A L,AN, AQ,AS ,AU AW,AY ,BA,B C,BE, BG	1
10	BRH10C4M		.NUT- (V52828) (SPEC BACN10JC4CM) (OPT T6C428JM (V11815)) (OPT 97E48 (V80539)) (OPT 109LH9075-4W (V72962)) (OPT VN303D048 (V92215)) (OPT 9NS202101SE048 (VA8053)) (OPT H01-4BAC (V15653))	A-D,G ,J,K, M,S,U ,W,X, AA,AB AE,AF ,AJ,A L,AN, AQ,AS ,AU AW,AY ,BA,B C,BE, BG	1

71-11-33

ILLUSTRATED PARTS LIST
 01.1 Page 1038I
 Jul 01/04

FIG. & ITEM	PART NO.	AIRLINE PART NUMBER	NOMENCLATURE	EFF CODE	QTY PER ASSY
02-15 15A	BACN30NW6K19 BACB30NW6K		1234567 DELETED .BOLT- (SIZE DETERMINE ON INST)	A-D,G ,J,K, M,S,U ,W,X, AA,AB AE,AF ,AJ,A L,AN, AQ,AS ,AU AW,AY ,BA,B C,BE, BG	1
20	HL79-6		.COLLAR- (V5M902) (SPEC BACC30M6) (OPT HL79-6 (V73197)) (OPT HL79-6 (V92215)) (OPT 66014-6 (V56878)) (OPT HL79-6 (V56878))	A-D,G ,J,K, M,S,U ,W,X, AA,AB AE,AF ,AJ,A L,AN, AQ,AS ,AU AW,AY ,BA,B C,BE, BG	1

71-11-33

 ILLUSTRATED PARTS LIST
 01.1 Page 1038J
 Jul 01/04

BOEING
 COMPONENT
 MAINTENANCE MANUAL

FIG. & ITEM	PART NO.	AIRLINE PART NUMBER	NOMENCLATURE	EFF CODE	QTY PER ASSY
02-25	BACJ40A21-8		. JUMPER ASSY	A-D,G ,J,K, M,S,U ,W,X, AA,AB AE,AF ,AJ,A L,AN, AQ,AS ,AU AW,AY ,BA,B C,BE, BG	1
30	14J29300		. CLAMP- (V5T400) (SPEC BACC10GY300) (OPT 4385AF300 (V94581)) (OPT PDVC1137300 (V14242)) (OPT NM102701300 (V8W928))	A-D,G ,J,K, M,S,U ,W,X, AA,AB AE,AF ,AJ,A L,AN, AQ,AS ,AU AW,AY ,BA,B C,BE, BG	2
35	AN960C10L		. WASHER	A-D,G ,J,K, M,S,U ,W,X, AA,AB AE,AF ,AJ,A L,AN, AQ,AS ,AU AW,AY ,BA,B C,BE, BG	4

71-11-33

ILLUSTRATED PARTS LIST

01.1 Page 1038K

Jul 01/04

FIG. & ITEM	PART NO.	AIRLINE PART NUMBER	NOMENCLATURE 1234567	EFF CODE	QTY PER ASSY
02-40	NAS1716C48M		.CLAMP ASSY	A-D,G ,J,K, M,S,U ,W,X, AA,AB AE,AF ,AJ,A L,AN, AQ,AS ,AU AW,AY ,BA,B C,BE, BG	1
45	NAS1716C40M		.CLAMP ASSY	A-D,G ,J,K, M,S,U ,W,X, AA,AB AE,AF ,AJ,A L,AN, AQ,AS ,AU AW,AY ,BA,B C,BE, BG	1
50	BACS40R6W38		.SHIM	A-D,G ,J,K, M,S,U ,W,X, AA,AB AE,AF ,AJ,A L,AN, AQ,AS ,AU AW,AY ,BA,B C,BE, BG	2

71-11-33

ILLUSTRATED PARTS LIST

01.1 Page 1038L

Jul 01/04


BOEING
 COMPONENT
 MAINTENANCE MANUAL

FIG. & ITEM	PART NO.	AIRLINE PART NUMBER	NOMENCLATURE	EFF CODE	QTY PER ASSY
02-55	BACS40R6W33		.SHIM	A-D,G ,J,K, M,S,U ,W,X, AA,AB AE,AF ,AJ,A L,AN, AQ,AS ,AU AW,AY ,BA,B C,BE, BG	2
60	BACS12CK3U8		.SCREW	A-D,G ,J,K, M,S,U ,W,X, AA,AB AE,AF ,AJ,A L,AN, AQ,AS ,AU AW,AY ,BA,B C,BE, BG	5
65	BRH10C3M		.NUT- (V52828) (SPEC BACN10JC3CM) (OPT T6C1032JM (V11815)) (OPT 97E02 (V80539)) (OPT 109LH9075-3W (V72962)) (OPT VN303D02 (V92215)) (OPT NS202101SE02 (V80539)) (OPT H01-3BAC (V15653))	A-D,G ,J,K, M,S,U ,W,X, AA,AB AE,AF ,AJ,A L,AN, AQ,AS ,AU AW,AY ,BA,B C,BE, BG	1

71-11-33

ILLUSTRATED PARTS LIST

01.1 Page 1038M

Jul 01/04

FIG. & ITEM	PART NO.	AIRLINE PART NUMBER	NOMENCLATURE 1234567	EFF CODE	QTY PER ASSY
02-70	BACC10EP38		.CLAMP	A-D,G ,J,K, M,S,U ,W,X, AA,AB AE,AF ,AJ,A L,AN, AQ,AS ,AU AW,AY ,BA,B C,BE, BG	AR
75	BACS12CK3U8		.SCREW	A-D,G ,J,K, M,S,U ,W,X, AA,AB AE,AF ,AJ,A L,AN, AQ,AS ,AU AW,AY ,BA,B C,BE, BG	11
80	NAS6703U4		DELETED		

71-11-33

 ILLUSTRATED PARTS LIST
 01.1 Page 1038N
 Jul 01/04

BOEING
 COMPONENT
 MAINTENANCE MANUAL

FIG. & ITEM	PART NO.	AIRLINE PART NUMBER	NOMENCLATURE	EFF CODE	QTY PER ASSY
02-83	AN960PD10		1234567 .WASHER	A-D,G ,J,K, M,S,U ,W,X, AA,AB AE,AF ,AJ,A L,AN, AQ,AS ,AU AW,AY ,BA,B C,BE, BG	3
85	BRH10C3M		.NUT- (V52828) (SPEC BACN10JC3CM) (OPT T6C1032JM (V11815)) (OPT 97E02 (V80539)) (OPT 109LH9075-3W (V72962)) (OPT VN303D02 (V92215)) (OPT NS202101SE02 (V80539)) (OPT H01-3BAC (V15653))	A-D,G ,J,K, M,S,U ,W,X, AA,AB AE,AF ,AJ,A L,AN, AQ,AS ,AU AW,AY ,BA,B C,BE, BG	4
90 90A 90B	JP0030-4 025029-04 S500-6		DELETED DELETED .CLAMP- (V18076) (SPEC BACC10HS06) (OPT 025029-06 (V84971)) (OPT 44LC17H6PB (V22175)) (OPT 490-06RPB (V83930))	A-D,G ,J,K, M,S,U ,W,X, AA,AB AE,AF ,AJ,A L,AN, AQ,AS ,AU AW,AY ,BA,B C,BE, BG	10

71-11-33

ILLUSTRATED PARTS LIST

01.1 Page 10380

Jul 01/04

FIG. & ITEM	PART NO.	AIRLINE PART NUMBER	NOMENCLATURE	EFF CODE	QTY PER ASSY
02-95100	JP0030-6 BACC10GT2-06		1234567 DELETED .CLAMPSHELL- (V83930) (SPEC BACC10GT2-06) (LIMITED)	A-D,G ,J,K, M,S,U ,W,X, AA,AB AE,AF ,AJ,A L,AN, AQ,AS ,AU AW,AY ,BA,B C,BE, BG	20
-100A	BACC10GT2-06P		.CLAMPSHELL- (LIMITED)	A-D,G ,J,K, M,S,U ,W,X, AA,AB AE,AF ,AJ,A L,AN, AQ,AS ,AU AW,AY ,BA,B C,BE, BG	20

71-11-33

ILLUSTRATED PARTS LIST

01.1 Page 1038P

Jul 01/04

BOEING
 COMPONENT
 MAINTENANCE MANUAL

FIG. & ITEM	PART NO.	AIRLINE PART NUMBER	NOMENCLATURE	EFF CODE	QTY PER ASSY
02-105	315T3128-11		1234567 .TUBE ASSY- (MFD FROM TUBING CRES 21-6-9 BMS7-185 F-25.01 0.375 IN. OD 0.020 IN. WALL 31.5 IN. LG)	A-D,G ,J,K, M,S,U ,W,X, AA,AB AE,AF ,AJ,A L,AN, AQ,AS ,AU AW,AY ,BA,B C,BE, BG	1
-110	DB0S13BX06H		..SLEEVE- (V14798) (SPEC BACS13BX06H) (OPT 2-02903-06H (V11328)) (OPT 35235V06 (V08199)) (OPT AP2097-06H (V01673)) (OPT AFP175V06 (V30974))	A-D,G ,J,K, M,S,U ,W,X, AA,AB AE,AF ,AJ,A L,AN, AQ,AS ,AU AW,AY ,BA,B C,BE, BG	1
-115	MS21921-6J		..NUT	A-D,G ,J,K, M,S,U ,W,X, AA,AB AE,AF ,AJ,A L,AN, AQ,AS ,AU AW,AY ,BA,B C,BE, BG	1

71-11-33

ILLUSTRATED PARTS LIST

01.1 Page 1038Q

Jul 01/04

FIG. & ITEM	PART NO.	AIRLINE PART NUMBER	NOMENCLATURE	EFF CODE	QTY PER ASSY
02- -120	DBOU24AB6H		1234567 ..UNION- (V14798) (SPEC BACU24AB6H) (OPT 2-01027-6H (V11328)) (OPT 31875-6H (V14397)) (OPT 4671097H6 (V50948)) (OPT 35056V06 (V08199)) (OPT AP1004H06 (V01673)) (OPT AFP941H6 (V30974))	A-D,G ,J,K, M,S,U ,W,X, AA,AB AE,AF ,AJ,A L,AN, AQ,AS ,AU AW,AY ,BA,B C,BE, BG	1
125	315T3128-3		.TUBE ASSY- (LIMITED) (MFD FROM TUBING CRES 21-6-9 BMS7-185 F-25.01 0.375 IN. OD 0.028 IN. WALL 55.0 IN. LG)	A-D,G ,J,K, M,S,U ,W,X, AA,AB AE,AF ,AJ,A L,AN, AQ,AS ,AU AW,AY ,BA,B C,BE, BG	1

71-11-33

ILLUSTRATED PARTS LIST

01.1 Page 1038R

Jul 01/04

BOEING
 COMPONENT
 MAINTENANCE MANUAL

FIG. & ITEM	PART NO.	AIRLINE PART NUMBER	NOMENCLATURE	EFF CODE	QTY PER ASSY
02- -125A	315T3128-25		1234567 .TUBE ASSY- (LIMITED) (MFD FROM TUBING ALUM MAGN 0.375 OD 0.035W 55.0 LG 6061T6 WWT700-6)	A-D,G ,J,K, M,S,U ,W,X, AA,AB AE,AF ,AJ,A L,AN, AQ,AS ,AU AW,AY ,BA,B C,BE, BG	1
-130	DB0S13BX06H		..SLEEVE- (V14798) (SPEC BACS13BX06H) (OPT 2-02903-06H (V11328)) (OPT 35235V06 (V08199)) (OPT AP2097-06H (V01673)) (OPT AFP175V06 (V30974)) (USED ON ITEM 125)	A-D,G ,J,K, M,S,U ,W,X, AA,AB AE,AF ,AJ,A L,AN, AQ,AS ,AU AW,AY ,BA,B C,BE, BG	2
-130A	DB0S13BX06HP		..SLEEVE- (V14798) (SPEC BACS13BX06HP) (OPT 2-02903-06HP (V11328)) (OPT 35235VN06 (V08199)) (OPT AP2097-06HP (V01673)) (OPT AFP175V06P (V30974)) (USED ON ITEM 125A)	A-D,G ,J,K, M,S,U ,W,X, AA,AB AE,AF ,AJ,A L,AN, AQ,AS ,AU AW,AY ,BA,B C,BE, BG	2

71-11-33

ILLUSTRATED PARTS LIST

01.1 Page 1038S

Jul 01/04

FIG. & ITEM	PART NO.	AIRLINE PART NUMBER	NOMENCLATURE	EFF CODE	QTY PER ASSY
02- -135	MS21921-6J		1234567 ..NUT	A-D,G ,J,K, M,S,U ,W,X, AA,AB AE,AF ,AJ,A L,AN, AQ,AS ,AU AW,AY ,BA,B C,BE, BG	2
140	AN924-6J		.NUT	A-D,G ,J,K, M,S,U ,W,X, AA,AB AE,AF ,AJ,A L,AN, AQ,AS ,AU AW,AY ,BA,B C,BE, BG	1
145	AN960C916		.WASHER	A-D,G ,J,K, M,S,U ,W,X, AA,AB AE,AF ,AJ,A L,AN, AQ,AS ,AU AW,AY ,BA,B C,BE, BG	1

71-11-33

ILLUSTRATED PARTS LIST

01.1 Page 1038T

Jul 01/04

BOEING
 COMPONENT
 MAINTENANCE MANUAL

FIG. & ITEM	PART NO.	AIRLINE PART NUMBER	NOMENCLATURE	EFF CODE	QTY PER ASSY
02-150	AFP238-0604J		1234567 .UNION- (V30974) (SPEC BACU24AA0604J) (OPT ER832-0604J (V50948)) (OPT LER832-0604J (V11328)) (OPT 2-010890604J (V11328)) (OPT APX832-0604J (V01673)) (OPT DBOU24AA0604J (V61498)) (OPT FER1579-0604J (V14397)) (OPT US2113-0604J (V50808)) (OPT APX832J0604 (V01673))	A-D,G ,J,K, S,U,W ,X,AA ,AB AE,AF ,AJ,A L,AN, AQ,AS ,AU AW,AY ,BA,B C,BE, BG	1
155	AS161E0150AAN		.HOSE- (V00624) (SPEC BACH5M0150AAN) (OPT B307BBB0150CN (V03925)) (OPT R8918M0150AAN (V06851)) (OPT 95850M0150AAN (V78570)) (OPT R89180150AAN (V06851)) (OPT R89180150AAN (V12157)) (OPT R89180150AAN (V50599)) (OPT AS118E0150AAN (V00624))	A-D,G ,J,K, M,S,U ,W,X, AA,AB AE,AF ,AJ,A L,AN, AQ,AS ,AU AW,AY ,BA,B C,BE, BG	1

71-11-33

ILLUSTRATED PARTS LIST
 01.1 Page 1038U
 Jul 01/04

FIG. & ITEM	PART NO.	AIRLINE PART NUMBER	NOMENCLATURE	EFF CODE	QTY PER ASSY
02-160	315T3129-2		.GROMMET- (LIMITED)	A-D,G ,J,K, M,S,U ,W,X, AA,AB AE,AF ,AJ,A L,AN, AQ,AS ,AU AW,AY ,BA,B C,BE, BG	1
165	315T3120-16		.DUCT ASSY- (REWORK) (OPT ITEM 165A)	A-D,G ,J,K, M,S,U ,W,X, AA,AB AE,AF ,AJ,A L,AN, AQ,AS ,AU AW,AY ,BA,B C,BE, BG	1
-165A	315T3120-17		.DUCT ASSY- (OPT ITEM 165)	A-D,G ,J,K, M,S,U ,W,X, AA,AB AE,AF ,AJ,A L,AN, AQ,AS ,AU AW,AY ,BA,B C,BE, BG	1

71-11-33

ILLUSTRATED PARTS LIST

01.1 Page 1038V

Jul 01/04


BOEING
 COMPONENT
 MAINTENANCE MANUAL

FIG. & ITEM	PART NO.	AIRLINE PART NUMBER	NOMENCLATURE 1234567	EFF CODE	QTY PER ASSY
02-170	5830205-101		. VALVE-SHUTOFF (V92003) (SPEC S315T106-3) (OPT 5830205-102 (V92003))	A-D,G ,J,K, M,S,U ,W,X, AA,AB AE,AF ,AJ,A L,AN, AQ,AS ,AU AW,AY ,BA,B C,BE, BG	1
-170A	5830205-102		. VALVE-SHUTOFF (V92003) (SPEC S315T106-3) (OPT 5830205-101 (V92003))	A-D,G ,J,K, M,S,U ,W,X, AA,AB AE,AF ,AJ,A L,AN, AQ,AS ,AU AW,AY ,BA,B C,BE, BG	1

71-11-33

ILLUSTRATED PARTS LIST

01.1 Page 1038W

Jul 01/04

FIG. & ITEM	PART NO.	AIRLINE PART NUMBER	NOMENCLATURE 1234567	EFF CODE	QTY PER ASSY
02-175	HL1012AZ6-3		.BOLT- (V97928) (SPEC BACB30NX6K3) (OPT HL12VAZ6-3 (V73197)) (OPT HL12VAZ6-3 (V92215)) (OPT HL12VAZ6-3 (V97928)) (OPT L802-6K3 (V06725)) (OPT HL12VAZ6-3 (V56878)) (OPT HL1012AZ6-3 (V0PTK6)) (OPT HL1012AZ6-3 (V06725)) (OPT HL1012AZ6-3 (V06950)) (OPT HL1012AZ6-3 (V17446)) (OPT HL1012AZ6-3 (V56878)) (OPT HL1012AZ6-3 (V60516)) (OPT HL1012AZ6-3 (V73197))	A-D,G ,J,K, M,S,U ,W,X, AA,AB AE,AF ,AJ,A L,AN, AQ,AS ,AU AW,AY ,BA,B C,BE, BG	3
180	BACB30FN6A19K		.BOLT	A-D,G ,J,K, M,S,U ,W,X, AA,AB AE,AF ,AJ,A L,AN, AQ,AS ,AU AW,AY ,BA,B C,BE, BG	7

71-11-33

ILLUSTRATED PARTS LIST

01.1 Page 1038X

Jul 01/04



BOEING
 COMPONENT
 MAINTENANCE MANUAL

FIG. & ITEM	PART NO.	AIRLINE PART NUMBER	NOMENCLATURE	EFF CODE	QTY PER ASSY
02-185	HL97DU6		1234567 .COLLAR- (V73197) (SPEC BACC30AB6S) (OPT HL97DU6 (V92215)) (OPT HL97DU6 (V56878))	A-D,G ,J,K, M,S,U ,W,X, AA,AB AE,AF ,AJ,A L,AN, AQ,AS ,AU AW,AY ,BA,B C,BE, BG	7
190 190A	315T3127-7 315T3127-12		DELETED .INLET ASSY- (OPT ITEM 190B)	A-D,G ,J,K, M,S,U ,W,X, AA,AB AE,AF ,AJ,A L,AN, AQ,AS ,AU AW,AY ,BA,B C,BE, BG	1
-190B	315T3127-13		.INLET ASSY- (OPT ITEM 190A)	A-D,G ,J,K, M,S,U ,W,X, AA,AB AE,AF ,AJ,A L,AN, AQ,AS ,AU AW,AY ,BA,B C,BE, BG	1

71-11-33

ILLUSTRATED PARTS LIST

01.1 Page 1038Y

Jul 01/04

FIG. & ITEM	PART NO.	AIRLINE PART NUMBER	NOMENCLATURE 1234567	EFF CODE	QTY PER ASSY
02-195	HL11VAZ6-19		.BOLT- (V60516) (SPEC BACB30NW6K19) (OPT B30NW6K19 (V97928)) (OPT HL11VAZ6-19 (V73197)) (OPT HL11VAZ6-19 (V92215)) (OPT HL11VAZ6-19 (V97928)) (OPT L803-6K19 (V06725)) (OPT HL11VAZ6-19 (V0PTK6)) (OPT HL11VAZ6-19 (V56878))	A-D,G ,J,K, M,S,U ,W,X, AA,AB AE,AF ,AJ,A L,AN, AQ,AS ,AU AW,AY ,BA,B C,BE, BG	3
200	BACW10BN6SP		.WASHER	A-D,G ,J,K, M,S,U ,W,X, AA,AB AE,AF ,AJ,A L,AN, AQ,AS ,AU AW,AY ,BA,B C,BE, BG	3
205	HL79-6		.COLLAR- (V5M902) (SPEC BACC30M6) (OPT HL79-6 (V73197)) (OPT HL79-6 (V92215)) (OPT 66014-6 (V56878)) (OPT HL79-6 (V56878))	A-D,G ,J,K, M,S,U ,W,X, AA,AB AE,AF ,AJ,A L,AN, AQ,AS ,AU AW,AY ,BA,B C,BE, BG	3

71-11-33

ILLUSTRATED PARTS LIST

01.1 Page 1038Z

Jul 01/04

BOEING
 COMPONENT
 MAINTENANCE MANUAL

FIG. & ITEM	PART NO.	AIRLINE PART NUMBER	NOMENCLATURE 1234567	EFF CODE	QTY PER ASSY
02-210	315T3130-2		.BRACKET ASSY	A-D,G ,J,K, M,S,U ,W,X, AA,AB AE,AF ,AJ,A L,AN, AQ,AS ,AU AW,AY ,BA,B C,BE, BG	1
215	315T3130-12		.BRACKET ASSY	A-D,G ,J,K, M,S,U ,W,X, AA,AB AE,AF ,AJ,A L,AN, AQ,AS ,AU AW,AY ,BA,B C,BE, BG	1
220	BACR15CE3M		..RIVET- (SIZE DETERMINE ON INST)	A-D,G ,J,K, M,S,U ,W,X, AA,AB AE,AF ,AJ,A L,AN, AQ,AS ,AU AW,AY ,BA,B C,BE, BG	4

71-11-33

ILLUSTRATED PARTS LIST

01.1

Page 1039

Jul 01/04

FIG. & ITEM	PART NO.	AIRLINE PART NUMBER	NOMENCLATURE 1234567	EFF CODE	QTY PER ASSY
02-225	BRM100C3M		..NUTPLATE- (V52828) (SPEC BACN10JP3BCM) (OPT MK2001-3BAC (V15653)) (OPT NS103198SE02 (V80539)) (OPT T8081C1032 (V11815)) (OPT VN201D1-02 (V92215)) (OPT 109A9207M3 (V72962))	A-D,G ,J,K, M,S,U ,W,X, AA,AB AE,AF ,AJ,A L,AN, AQ,AS ,AU AW,AY ,BA,B C,BE, BG	2
230	315T3130-7		..BRACKET- (USED ON ITEM 210)	A-D,G ,J,K, M,S,U ,W,X, AA,AB AE,AF ,AJ,A L,AN, AQ,AS ,AU AW,AY ,BA,B C,BE, BG	1
235	315T3130-11		..BRACKET- (USED ON ITEM 215)	A-D,G ,J,K, M,S,U ,W,X, AA,AB AE,AF ,AJ,A L,AN, AQ,AS ,AU AW,AY ,BA,B C,BE, BG	1

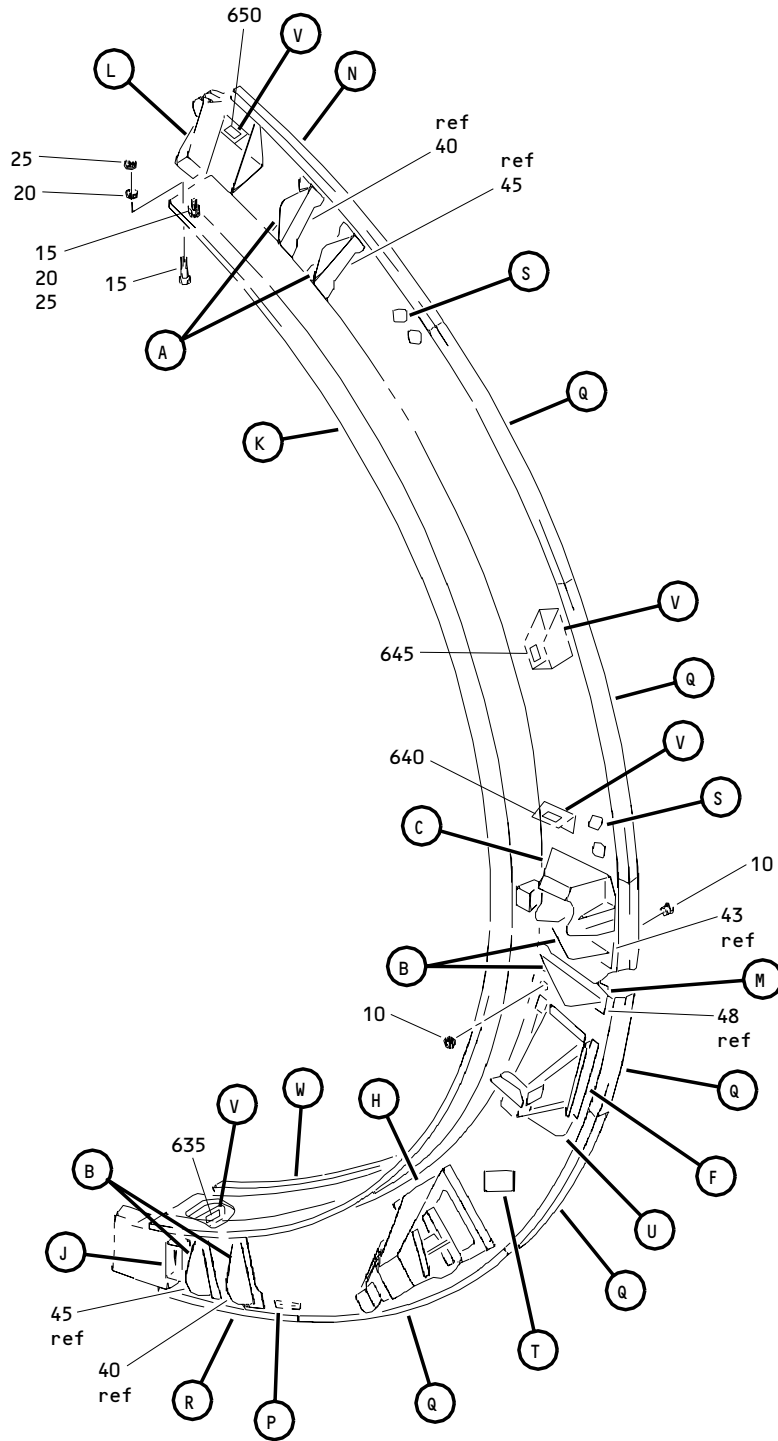
- Item Not Illustrated

71-11-33

ILLUSTRATED PARTS LIST

01.1 Page 1040

Jul 01/04

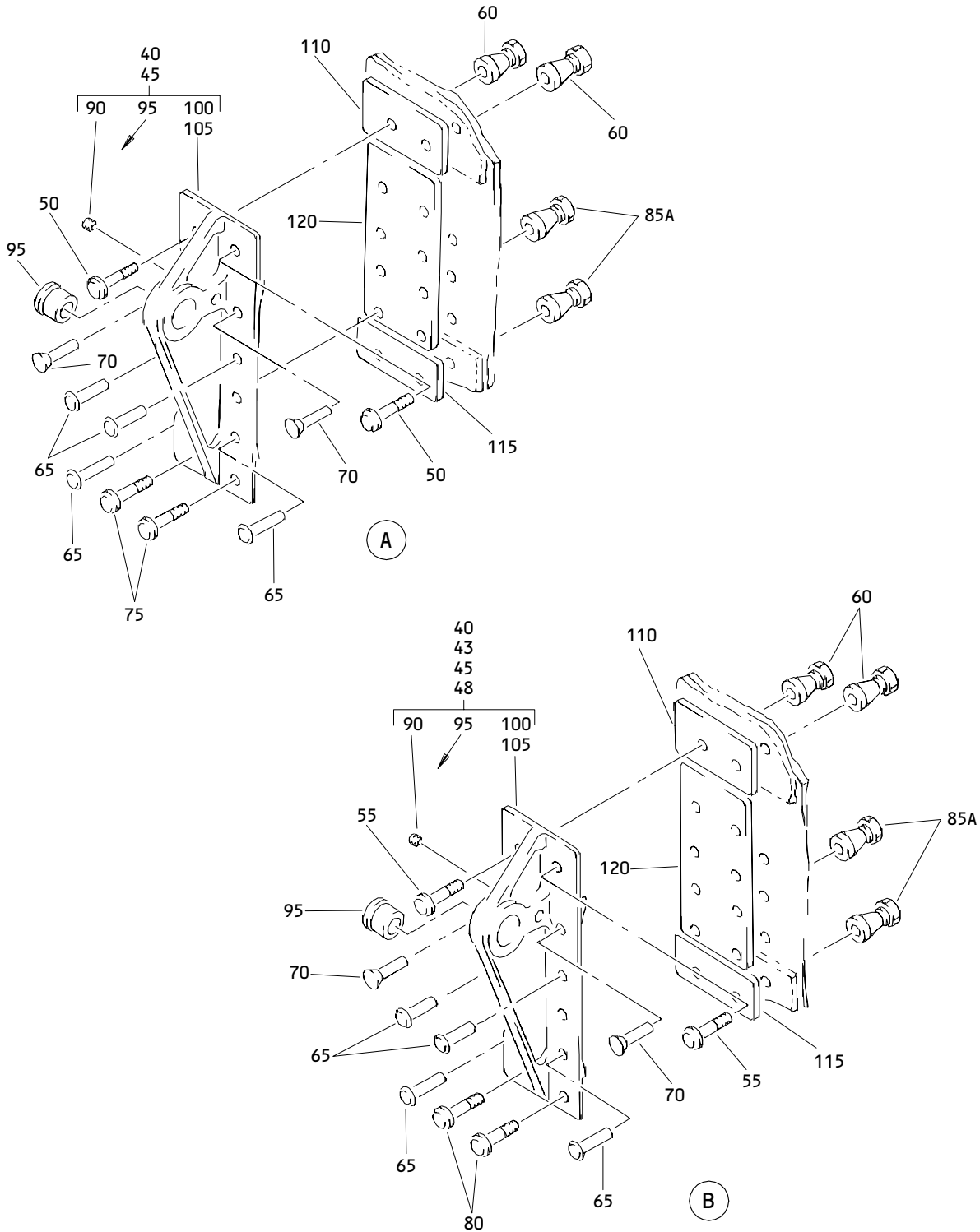


Engine Outboard and Inboard Side Fan Duct Reverser
 JT9D-7R4 Engine Torque LH Box Installation
 Figure 3 (Sheet 1)

71-11-33

ILLUSTRATED PARTS LIST
 01.1 Page 1040A
 Jul 01/04

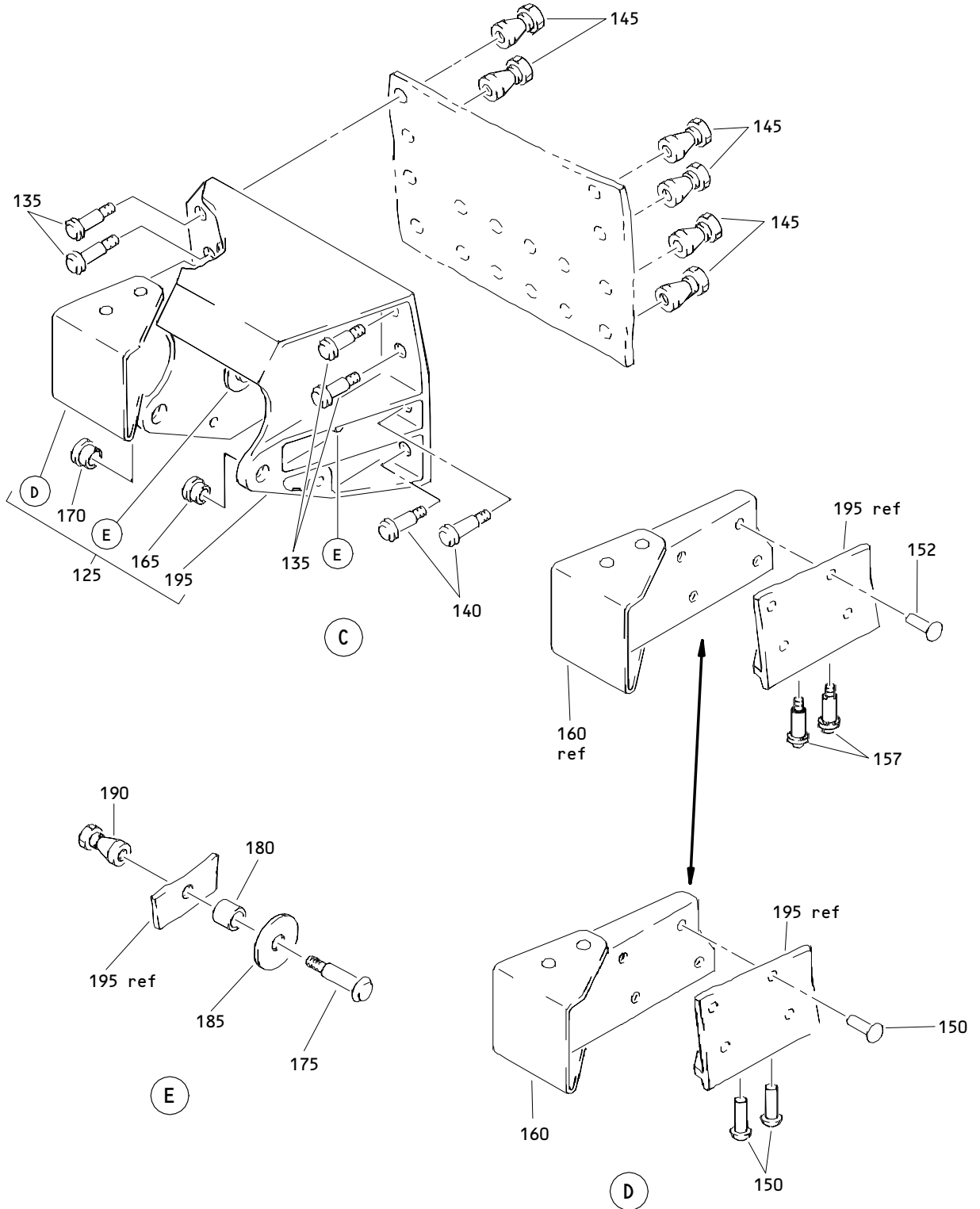
U10167



Engine Outboard and Inboard Side Fan Duct Reverser
 JT9D-7R4 Engine Torque LH Box Installation
 Figure 3 (Sheet 2)

71-11-33

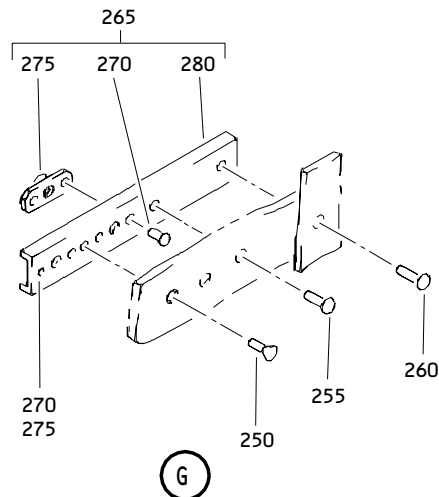
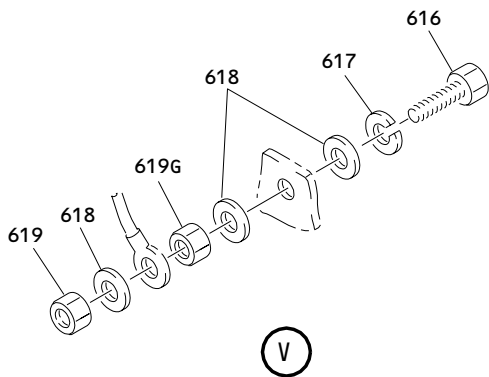
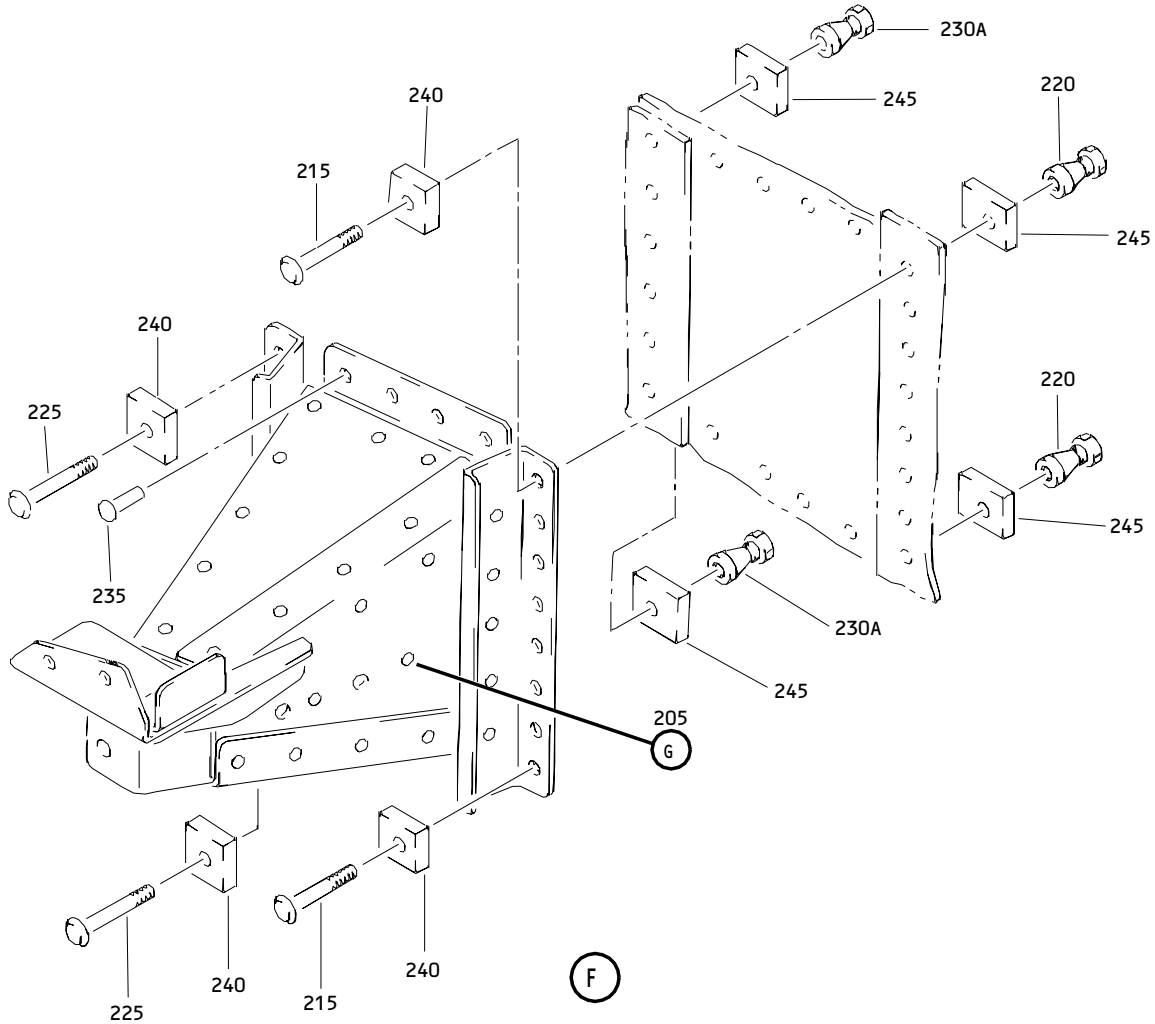
ILLUSTRATED PARTS LIST
 01.1 Page 1040B
 Jul 01/04



Engine Outboard and Inboard Side Fan Duct Reverser
 JT9D-7R4 Engine Torque LH Box Installation
 Figure 3 (Sheet 3)

71-11-33

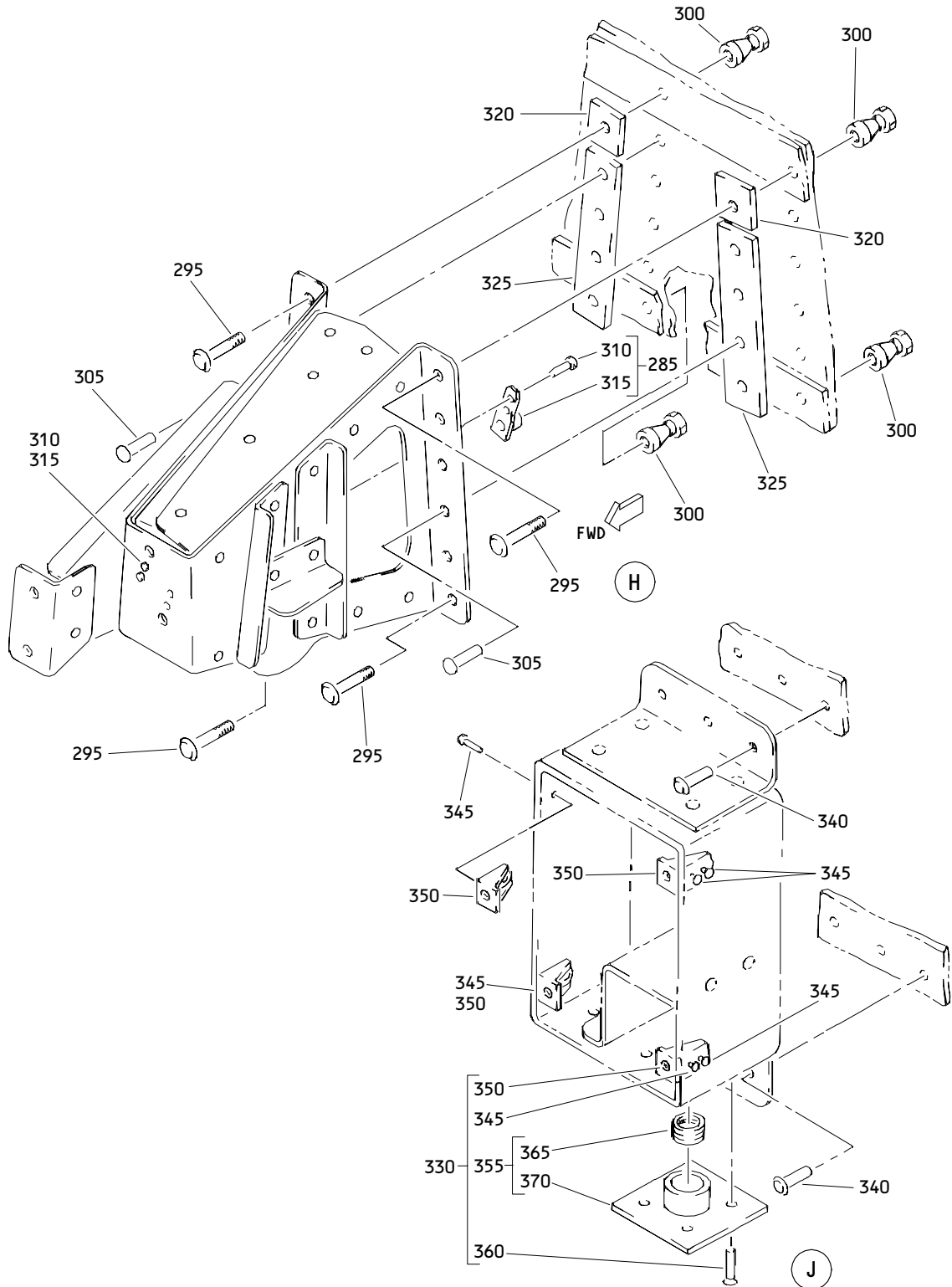
ILLUSTRATED PARTS LIST
 01.1 Page 1040C
 Jul 01/04



Engine Outboard and Inboard Side Fan Duct Reverser
 JT9D-7R4 Engine Torque LH Box Installation
 Figure 3 (Sheet 4)

71-11-33

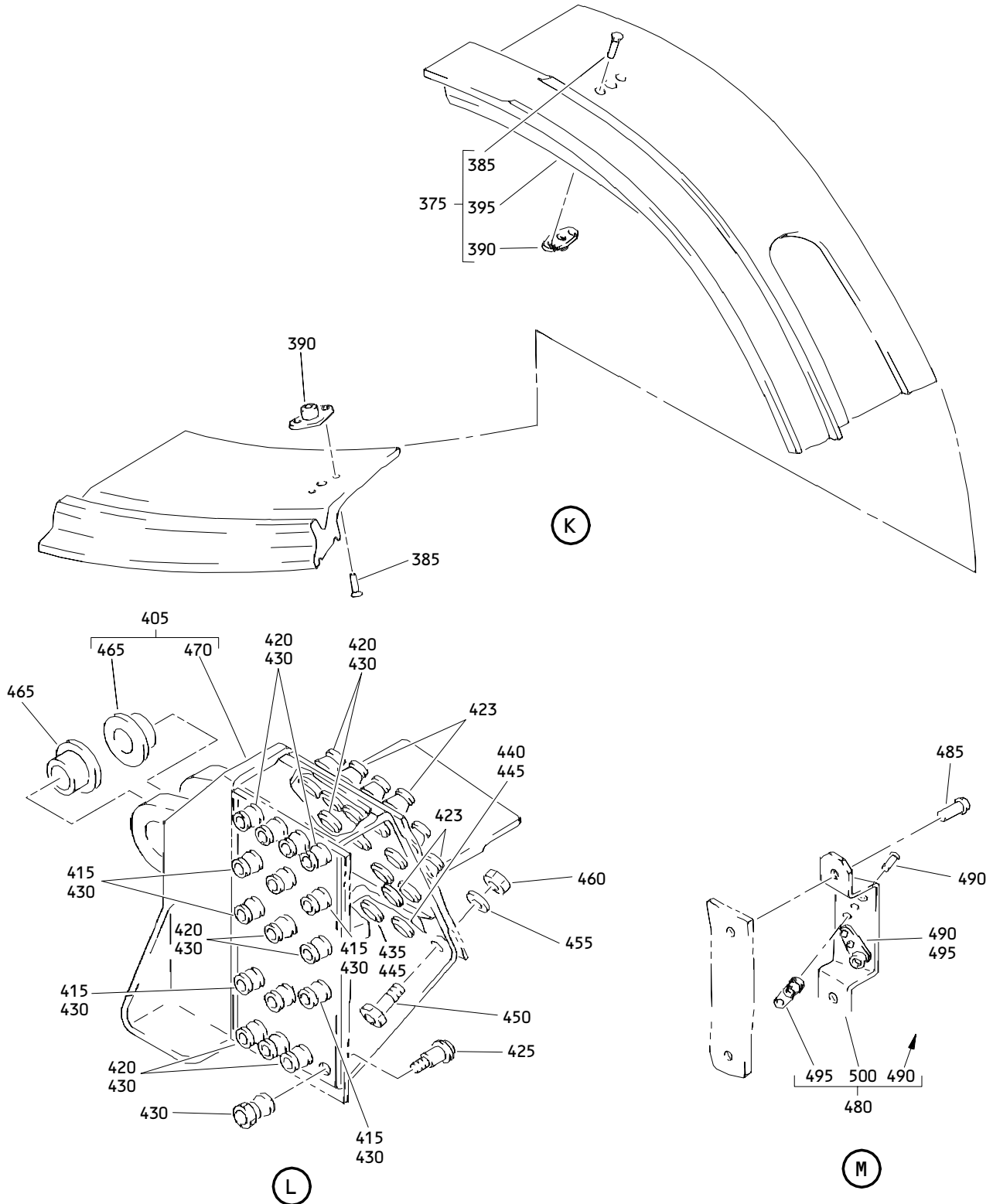
ILLUSTRATED PARTS LIST
 01.1 Page 1040D
 Jul 01/04



Engine Outboard and Inboard Side Fan Duct Reverser
 JT9D-7R4 Engine Torque LH Box Installation
 Figure 3 (Sheet 5)

71-11-33

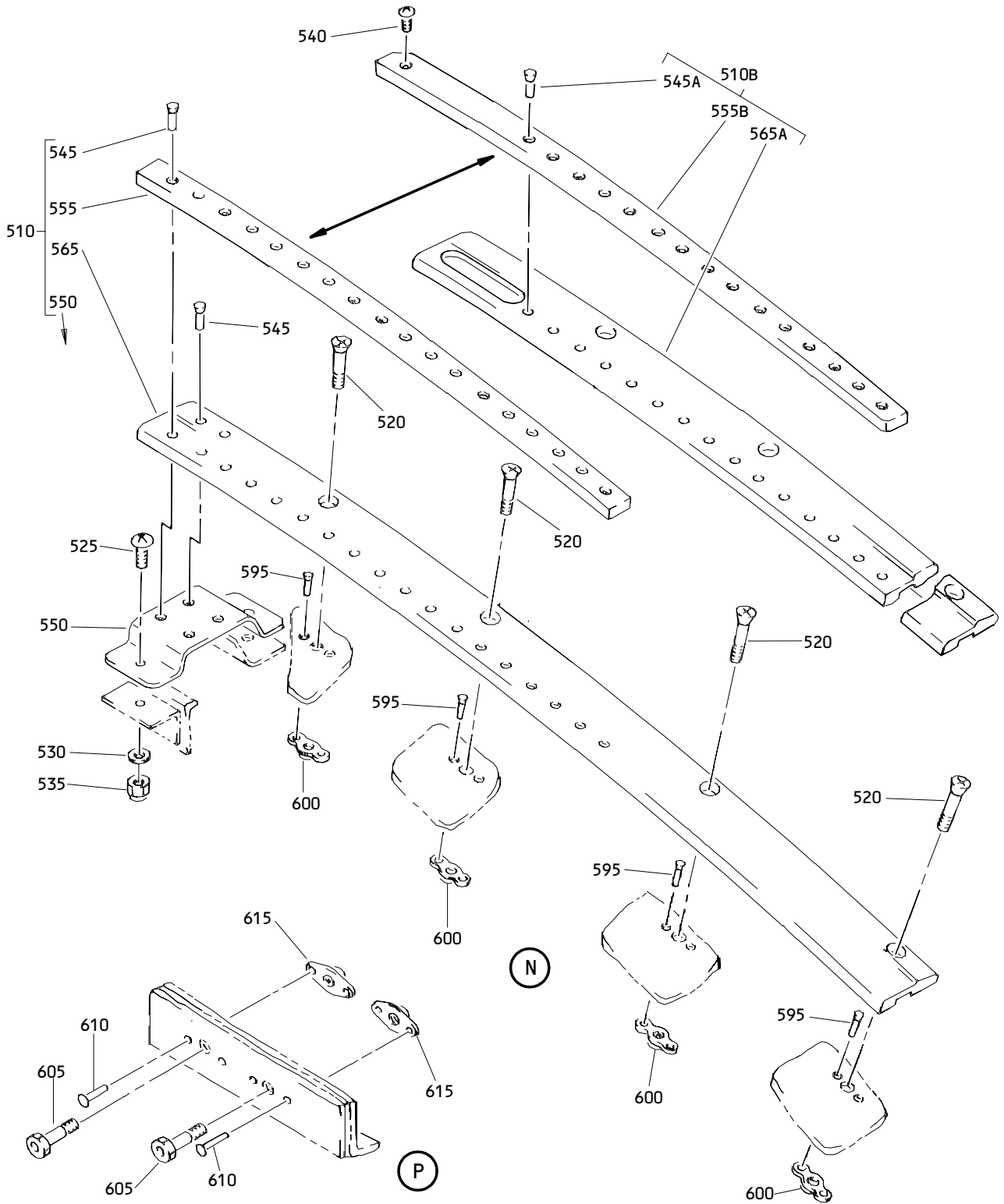
ILLUSTRATED PARTS LIST
 01.1 Page 1040E
 Jul 01/04



Engine Outboard and Inboard Side Fan Duct Reverser
 JT9D-7R4 Engine Torque Left Side Box Installation
 Figure 3 (Sheet 6)

71-11-33

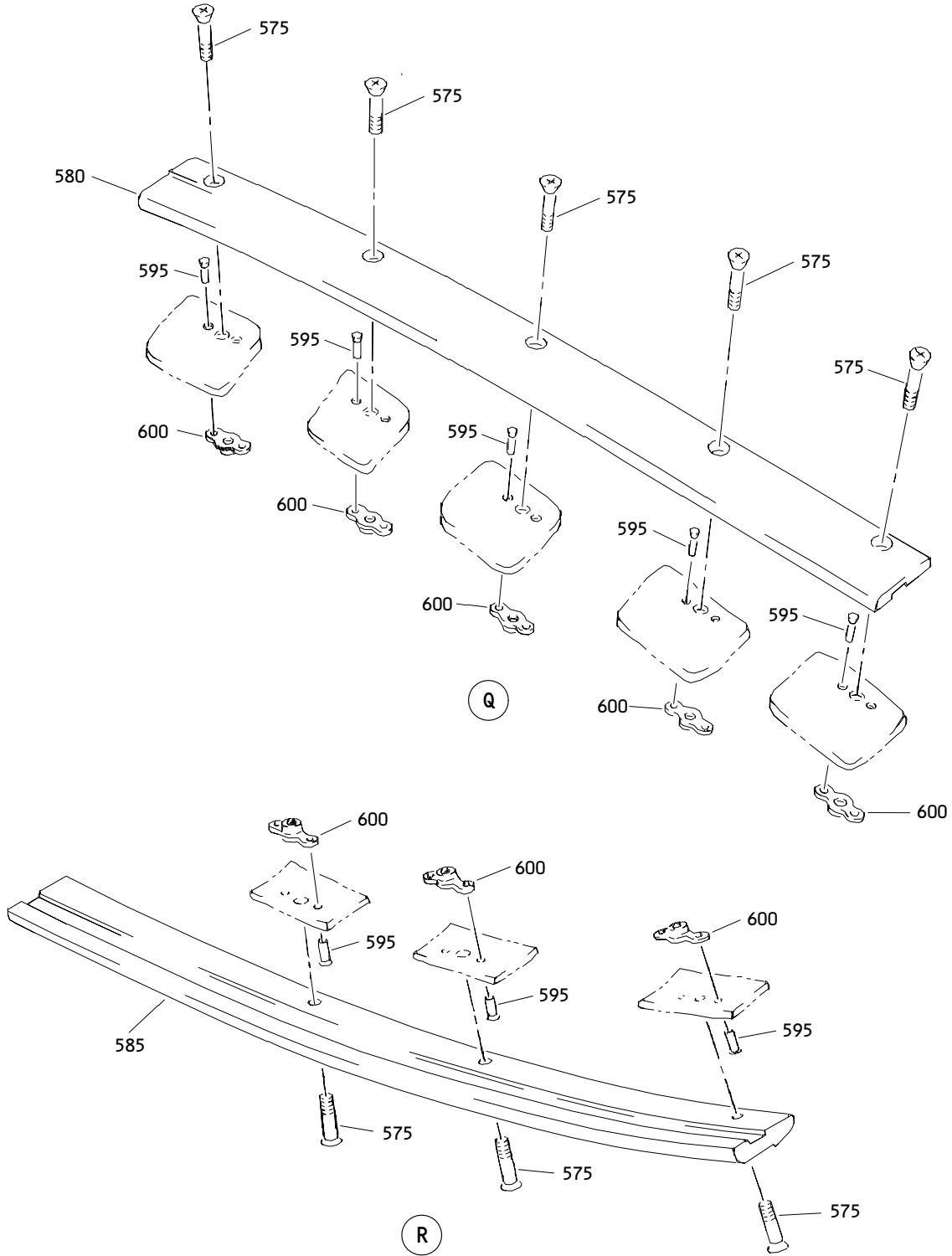
ILLUSTRATED PARTS LIST
 01.1 Page 1040F
 Jul 01/04



Engine Outboard And Inboard Side Fan Duct Reverser
JT9D-7R4 Engine Torque Left Side Box Installation
Figure 3 (Sheet 7)

71-11-33

ILLUSTRATED PARTS LIST
01.1 Page 1040G
Jul 01/04

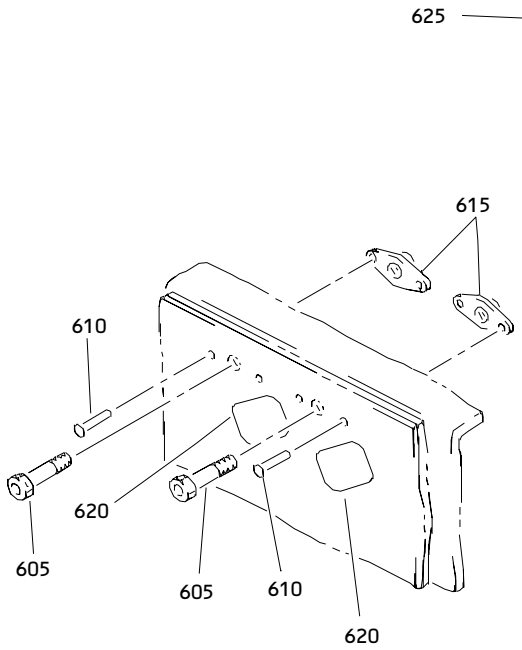


Engine Outboard And Inboard Side Fan Duct Reverser
JT9D-7R4 Engine Torque LH Box Installation
Figure 3 (Sheet 8)

71-11-33

ILLUSTRATED PARTS LIST
01.1 Page 1040H
Jul 01/04

BOEING
COMPONENT
MAINTENANCE MANUAL



CAUTION

"THE INBOARD THRUST REVERSER HALVES MUST NOT BE OPENED UNLESS INBOARD LEADING EDGE SLATS ARE RETRACTED TO CRUISE POSITION AND PLACARDED AS FOLLOWS:

1. RETRACT INBOARD LEADING EDGE SLATS.
2. ATTACH DO-NOT-OPERATE IDENTIFIER TO FLAP CONTROL LEVER.
3. CHECK THAT ALTERNATE FLAP/SLAT POSITION SELECTOR ON PILOTS OVERHEAD PANEL P5 IS IN NORM POSITION AND ATTACH DO-NOT-OPERATE IDENTIFIER.

IF EXTENSIVE ENGINE WORK IS BEING ACCOMPLISHED, IT MAY BE DESIRABLE TO DEACTIVATE THE PRIMARY AND ALTERNATE LEADING EDGE DRIVE SYSTEMS PER MM 27-81-00."

T

WARNING

DO NOT STAND BETWEEN THE FAN DUCT COWL AND THRUST REVERSER AND THE ENGINE UNLESS THE FAN DUCT COWL AND THRUST REVERSER IS SECURED WITH HOLD OPEN ROD. AN EXPOSED RED BAND WITH THE WORD "UNLOCKED" ON HOLD OPEN ROD INDICATES THE ROD IS NOT LOCKED. THE ROD MUST BE FULLY EXTENDED AND THE RED BAND MUST BE COVERED FOR THE ROD TO BE LOCKED. A SLING (LIFT) MUST BE USED PER MM78-31-00 IN ADDITION TO HOLD OPEN ROD WHEN HYDRAULIC COWL OPENING SYSTEM IS INOPERATIVE. TOOL A78001 MUST BE USED IN CONJUNCTION WITH HYDRAULIC COWL OPENING SYSTEM WHEN ENGINE IS NOT INSTALLED. SERIOUS INJURY OR DEATH MAY OCCUR IF FAN DUCT COWL AND THRUST REVERSER SWINGS SHUT.

U

630

630A

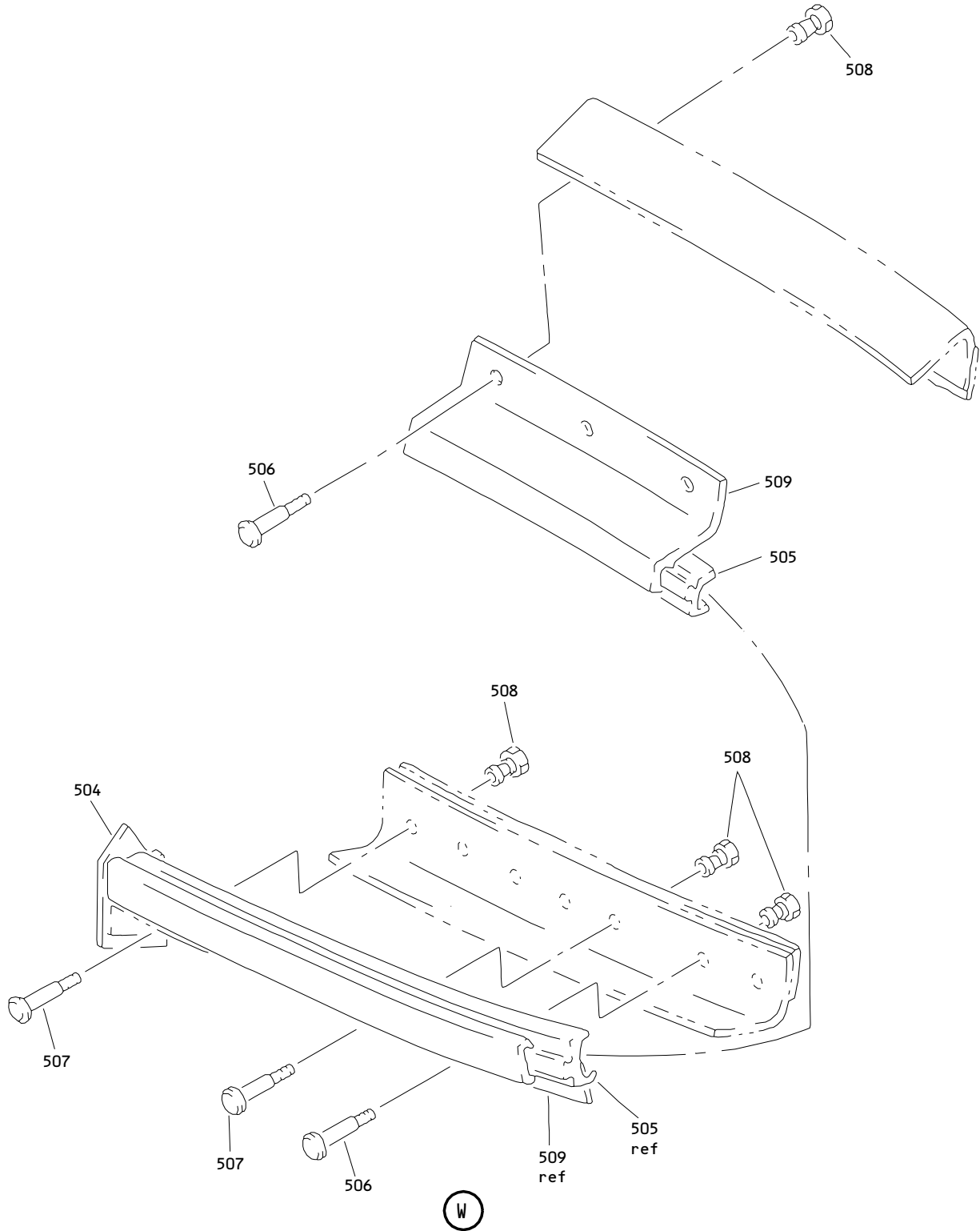
WARNING

DO NOT STAND BETWEEN THE FAN DUCT COWL AND THRUST REVERSER AND THE ENGINE UNLESS THE FAN DUCT COWL AND THRUST REVERSER IS SECURED WITH HOLD OPEN ROD. AN EXPOSED RED BAND WITH THE WORD "UNLOCKED" ON HOLD OPEN ROD INDICATES THE ROD IS NOT LOCKED. THE ROD MUST BE FULLY EXTENDED AND THE RED BAND MUST BE COVERED FOR THE ROD TO BE LOCKED. A SLING (LIFT) MUST BE USED PER MM78-31-00 IN ADDITION TO HOLD OPEN ROD WHEN HYDRAULIC COWL OPENING SYSTEM IS INOPERATIVE. TOOL A78001 MUST BE USED IN CONJUNCTION WITH HYDRAULIC COWL OPENING SYSTEM WHEN ENGINE IS NOT INSTALLED. SERIOUS OR FATAL INJURY MAY OCCUR IF FAN DUCT COWL AND THRUST REVERSER SWINGS SHUT.

Engine Outboard and Inboard Side Fan Duct Reverser
 JT9D-7R4 Engine Torque LH Box Installation
 Figure 3 (Sheet 9)

71-11-33

ILLUSTRATED PARTS LIST
 01.1 Page 1040I
 Jul 01/04



Engine Outboard and Inboard Side Fan Duct Reverser
JT9D-7R4 Engine Torque LH Box Installation
Figure 3 (Sheet 10)

71-11-33

ILLUSTRATED PARTS LIST
01.1 Page 1040J
Jul 01/04


BOEING
 COMPONENT
 MAINTENANCE MANUAL

FIG. & ITEM	PART NO.	AIRLINE PART NUMBER	NOMENCLATURE 1234567	EFF CODE	QTY PER ASSY
03- -1	315T3202-73		BOX INSTL-ENG OUTBD AND INBD SIDE FAN DUCT REVERSER JT9D-7R4 ENG TORQUE LH	A,D,J ,M,AJ ,AL	RF
-5	315T3202-74		BOX INSTL-ENG OUTBD AND INBD SIDE FAN DUCT REVERSER JT9D-7R4 ENG TORQUE RH	E,H,N ,R,AK ,AM	RF
10	RR2002-4B6		.GROMMET- (V57268) (SPEC BACG20AF4B6) (OPT H4B6 (V74687)) (OPT SZ6924-4B6 (V95272)) (OPT 701-4B6 (V07096)) (OPT E4B6 (V60980)) (OPT G6940-4B6 (V75345)) (OPT ITEM 10A)	A,D,E ,H,J ,M,N,R ,AJ-A M	2
-10A	RR2002-4B6A		.GROMMET- (V57268) (SPEC BACG20AF4B6A) (OPT G6940-4B6A (V75345)) (OPT SZ6924-4B6A (V95272)) (OPT 701-4B6A (V07096)) (OPT E4B6A (V60980)) (OPT H4B6A (V60980)) (OPT ITEM 10)	A,D,E ,H,J ,M,N,R ,AJ-A M	2

71-11-33

ILLUSTRATED PARTS LIST

01.1 Page 1040K

Jul 01/04

FIG. & ITEM	PART NO.	AIRLINE PART NUMBER	NOMENCLATURE 1234567	EFF CODE	QTY PER ASSY
03-15	BACB30LJ3K5		.BOLT- (OPT ITEM 15A)	A,D,E ,H,J, M,N,R ,AJ-A M	2
-15A	NAS6703A5		.BOLT- (OPT ITEM 15)	A,D,E ,H,J, M,N,R ,AJ-A M	2
20	AN960PD10		.WASHER	A,D,E ,H,J, M,N,R ,AJ-A M	2
25	H10-3BAC		.NUT- (V15653) (SPEC BACN10JC3) (OPT NS202101-02 (V80539)) (OPT RMLH9075-3W (V72962)) (OPT T6S1032J (V71087)) (OPT VN303A02 (V92215)) (OPT 96-02 (V80539)) (OPT BRH10A3 (V52828))	A,D,E ,H,J, M,N,R ,AJ-A M	2

71-11-33

ILLUSTRATED PARTS LIST

01.1 Page 1040L

Jul 01/04


BOEING
 COMPONENT
 MAINTENANCE MANUAL

FIG. & ITEM	PART NO.	AIRLINE PART NUMBER	NOMENCLATURE 1234567	EFF CODE	QTY PER ASSY
03- -30	315T3202-5001		.BOX INSTL- (LIMITED)	A,D,J ,M,AJ ,AL	1
-30A	315T3202-5003		.BOX INSTL- (LIMITED)	A,D,J ,M,AJ ,AL	1
-30B	315T3202-5005		.BOX INSTL- (LIMITED)	A,D,J ,M,AJ ,AL	1
-30C	315T3202-5009		.BOX INSTL- (LIMITED)	A,D,J ,M,AJ ,AL	1
-30D	315T3202-5011		.BOX INSTL- (LIMITED)	A,D,J ,M,AJ ,AL	1
-30E	315T3202-5013		.BOX INSTL- (LIMITED)	A,D,J ,M,AJ ,AL	1
-30F	315T3202-5017		.BOX INSTL- (LIMITED)	A,D,J ,M,AJ ,AL	1
-30G	315T3202-5019		.BOX INSTL- (LIMITED)	A,D,J ,M,AJ ,AL	1
-30J	315T3202-5023		.BOX INSTL- (LIMITED)	A,D,J ,M,AJ ,AL	1
-30K	315T3202-5033		.BOX INSTL- (LIMITED)	A,D,J ,M,AJ ,AL	1
-30L	315T3202-5037		.BOX INSTL- (LIMITED)	A,D,J ,M,AJ ,AL	1

71-11-33

ILLUSTRATED PARTS LIST

01.1 Page 1040M

Jul 01/04

FIG. & ITEM	PART NO.	AIRLINE PART NUMBER	NOMENCLATURE 1234567	EFF CODE	QTY PER ASSY
03-35	315T3202-5002		.BOX INSTL- (LIMITED)	E,H,N ,R,AK ,AM	1
-35A	315T3202-5004		.BOX INSTL- (LIMITED)	E,H,N ,R,AK ,AM	1
-35B	315T3202-5006		.BOX INSTL- (LIMITED)	E,H,N ,R,AK ,AM	1
-35C	315T3202-5008		.BOX INSTL- (LIMITED)	E,H,N ,R,AK ,AM	1
-35D	315T3202-5010		.BOX INSTL- (LIMITED)	E,H,N ,R,AK ,AM	1
-35E	315T3202-5012		.BOX INSTL- (LIMITED)	E,H,N ,R,AK ,AM	1
-35F	315T3202-5018		.BOX INSTL- (LIMITED)	E,H,N ,R,AK ,AM	1
-35H	315T3202-5024		.BOX INSTL- (LIMITED)	E,H,N ,R,AK ,AM	1
-35J	315T3202-5034		.BOX INSTL- (LIMITED)	E,H,N ,R,AK ,AM	1
-35K	315T3202-5038		.BOX INSTL- (LIMITED)	E,H,N ,R,AK ,AM	1
40	315T3634-2		..FITTING ASSY-ACTR ATTACH	A,D,E ,H,J, M,N,R ,AJ-A M	2
43	315T3634-2		..FITTING ASSY-ACTR ATTACH (USED ON ITEMS 30, 30A, 30B, 30C, 30D, 30E, 30F, 35, 35A, 35B, 35C, 35D, 35E)	A,D,E ,H,J, M,N,R ,AJ-A M	1

71-11-33

 ILLUSTRATED PARTS LIST
 01.1 Page 1040N
 Jul 01/04


BOEING
 COMPONENT
 MAINTENANCE MANUAL

FIG. & ITEM	PART NO.	AIRLINE PART NUMBER	NOMENCLATURE 1234567	EFF CODE	QTY PER ASSY
03-44	315T3634-10		..FITTING ASSY-ACTR ATTACH (USED ON ITEMS 30G, 30J, 30K, 30L)	A,D,J ,M,AJ ,AL	1
45	315T3634-1		..FITTING ASSY-ACTR ATTACH	A,D,E ,H,J, M,N,R ,AJ-A M	2
48	315T3634-1		..FITTING ASSY-ACTR ATTACH (USED ON ITEMS 30, 30A, 30B, 30C, 30D, 30E, 30F, 35, 35A, 35B, 35C, 35D, 35E)	A,D,E ,H,J, M,N,R ,AJ-A M	1
-49	315T3634-11		..FITTING ASSY-ACTR ATTACH (USED ON ITEMS 35F, 35H, 35J, 35K)	E,H,N ,R,AK ,AM	1
50	HL10VAZ8-11		ATTACHING PARTS ..BOLT- (V60516) (SPEC BACB30MY8K11) (OPT B30MY8K11 (V97928))	A,D,E ,H,J, M,N,R ,AJ-A M	4
55	HL10VAZ8-10		..BOLT- (V60516) (SPEC BACB30MY8K10) (OPT B30MY8K10 (V97928))	A,D,E ,H,J, M,N,R ,AJ-A M	8
60	HL79-8		..COLLAR- (V5M902) (SPEC BACC30M8) (OPT HL79-8 (V73197)) (OPT HL79-8 (V92215)) (OPT 66014-8 (V56878)) (OPT HL79-8 (V56878))	A,D,E ,H,J, M,N,R ,AJ-A M	12

71-11-33

ILLUSTRATED PARTS LIST

01.1 Page 10400

Jul 01/04

FIG. & ITEM	PART NO.	AIRLINE PART NUMBER	NOMENCLATURE 1234567	EFF CODE	QTY PER ASSY
03-65	BACR15FT6KE		..RIVET- (SIZE DETERMINE ON INST)	A,D,E ,H,J, M,N,R ,AJ-A M	36
70	BACR15CE6KE		..RIVET- (SIZE DETERMINE ON INST)	A,D,E ,H,J, M,N,R ,AJ-A M	12
75	HL10VAZ6-9		..BOLT- (V60516) (SPEC BACB30MY6K9) (OPT B30MY6K9 (V97928))	A,D,E ,H,J, M,N,R ,AJ-A M	4
80	HL10VAZ6-8		..BOLT- (V60516) (SPEC BACB30MY6K8) (OPT B30MY6K8 (V97928))	A,D,E ,H,J, M,N,R ,AJ-A M	8
85A	HL79-6		..COLLAR- (V5M902) (SPEC BACC30M6) (OPT HL79-6 (V73197)) (OPT HL79-6 (V92215)) (OPT 66014-6 (V56878)) (OPT HL79-6 (V56878))	A,D,E ,H,J, M,N,R ,AJ-A M	12

71-11-33

 ILLUSTRATED PARTS LIST
 01.1 Page 1040P
 Jul 01/04

BOEING
 COMPONENT
 MAINTENANCE MANUAL

FIG. & ITEM	PART NO.	AIRLINE PART NUMBER	NOMENCLATURE 1234567	EFF CODE	QTY PER ASSY
03-90	MS21209F4-10P		...INSERT	A,D,E ,H,J, M,N,R ,AJ-A M	1
95	BACB28AP07P038		...BUSHING	A,D,E ,H,J, M,N,R ,AJ-A M	1
100	315T3634-4		...FITTING- (USED ON ITEM 40)	A,D,E ,H,J, M,N,R ,AJ-A M	1
-102	315T3634-4		...FITTING- (USED ON ITEM 43)	A,D,E ,H,J, M,N,R ,AJ-A M	1
-103	315T3634-12		...FITTING- (USED ON ITEM 44)	A,D,J ,M,AJ ,AL	1
105	315T3634-3		...FITTING- (USED ON ITEM 45)	A,D,E ,H,J, M,N,R ,AJ-A M	1
-107	315T3634-3		...FITTING- (USED ON ITEM 48)	A,D,E ,H,J, M,N,R ,AJ-A M	1

71-11-33

ILLUSTRATED PARTS LIST
 01.1 Page 1040Q
 Jul 01/04

FIG. & ITEM	PART NO.	AIRLINE PART NUMBER	NOMENCLATURE 1234567	EFF CODE	QTY PER ASSY
03- -108	315T3634-13		...FITTING- (USED ON ITEM 49)	E,H,N ,R,AK ,AM	1
110	BACS40R11B22F		..SHIM	A,D,E ,H,J, M,N,R ,AJ-A M	6
115	BACS40R09B21F		..SHIM	A,D,E ,H,J, M,N,R ,AJ-A M	6
120	BACS40R17B33F		..SHIM	A,D,E ,H,J, M,N,R ,AJ-A M	6
125	315T3730-7		..FITTING ASSY-SPRT	A,D,J ,M,AJ ,AL	1
-130	315T3730-2		..FITTING ASSY-SPRT	E,H,N ,R,AK ,AM	1

71-11-33

ILLUSTRATED PARTS LIST

01.1 Page 1040R

Jul 01/04

BOEING
 COMPONENT
 MAINTENANCE MANUAL

FIG. & ITEM	PART NO.	AIRLINE PART NUMBER	NOMENCLATURE	EFF CODE	QTY PER ASSY
03- 135	HL1012AZ6-6		1234567 ATTACHING PARTS ..BOLT- (V97928) (SPEC BACB30NX6K6) (OPT HL12VAZ6-6 (V73197)) (OPT HL12VAZ6-6 (V92215)) (OPT HL12VAZ6-6 (V97928)) (OPT L802-6K6 (V06725)) (OPT HL12VAZ6-6 (V56878)) (OPT HL1012AZ6-6 (V0PTK6)) (OPT HL1012AZ6-6 (V06725)) (OPT HL1012AZ6-6 (V06950)) (OPT HL1012AZ6-6 (V17446)) (OPT HL1012AZ6-6 (V56878)) (OPT HL1012AZ6-6 (V60516)) (OPT HL1012AZ6-6 (V73197))	A, D, E , H, J, M, N, R , AJ-A M	4

71-11-33

ILLUSTRATED PARTS LIST
 01.1 Page 1040S
 Jul 01/04

FIG. & ITEM	PART NO.	AIRLINE PART NUMBER	NOMENCLATURE 1234567	EFF CODE	QTY PER ASSY
03-140	HL1012AZ6-8		..BOLT- (V97928) (SPEC BACB30NX6K8) (OPT HL12VAZ6-8 (V73197)) (OPT HL12VAZ6-8 (V92215)) (OPT HL12VAZ6-8 (V97928)) (OPT L802-6K8 (V06725)) (OPT HL12VAZ6-8 (V56878)) (OPT HL1012AZ6-8 (V0PTK6)) (OPT HL1012AZ6-8 (V06725)) (OPT HL1012AZ6-8 (V06950)) (OPT HL1012AZ6-8 (V17446)) (OPT HL1012AZ6-8 (V56878)) (OPT HL1012AZ6-8 (V60516)) (OPT HL1012AZ6-8 (V73197))	A,D,E H,J, M,N,R AJ-A M	12
145	HL1187DU6		..COLLAR- (V5M902) (SPEC BACC30X6S) (OPT HL87DU6 (V73197)) (OPT HL87DU6 (V92215)) (OPT HL1187DU6 (V56878)) (OPT HL1187DU6 (V92215)) (OPT HL87DU6 (V56878)) (OPT HL1187DU6 (V73197)) (OPT ITEM 145A)	A,D,E H,J, M,N,R AJ-A M	16

71-11-33

 ILLUSTRATED PARTS LIST
 01.1 Page 1040T
 Jul 01/04


BOEING
 COMPONENT
 MAINTENANCE MANUAL

FIG. & ITEM	PART NO.	AIRLINE PART NUMBER	NOMENCLATURE 1234567	EFF CODE	QTY PER ASSY
03- -145A	HL1187-6		..COLLAR- (V5M902) (SPEC BACC30X6) (OPT HL87-6 (V73197)) (OPT HL87-6 (V92215)) (OPT HL1187-6 (V56878)) (OPT HL1187-6 (V92215)) (OPT HL87-6 (V56878)) (OPT HL1187-6 (V73197)) (OPT ITEM 145) -----*	A,D,E ,H,J, M,N,R ,AJ-A M	16
150	BACR15BB5AD		...RIVET- (SIZE DETERMINE ON INST)	E,H,N ,R,AK ,AM	6
152	BACR15BB5AD		...RIVET- (SIZE DETERMINE ON INST)	A,D,J ,M,AJ ,AL	4
155 157	BACR15BA5KE HL441UC5-4		DELETED ...BOLT- (V60516) (SPEC BACB30FM5A4) (OPT HL440UC5-4 (V73197)) (OPT HL440UC5-4 (V92215)) (OPT HL440UC5-4 (V97928)) (OPT HL440UC5-4 (V80539)) (OPT WC130-5-4 (V60516)) (OPT 67067-5A4 (V56878)) (OPT L8055A4 (V06725)) (OPT HL440UC5-4 (V56878))	A,D,J ,M,AJ ,AL	2

71-11-33

ILLUSTRATED PARTS LIST

01.1 Page 1040U

Jul 01/04

FIG. & ITEM	PART NO.	AIRLINE PART NUMBER	NOMENCLATURE 1234567	EFF CODE	QTY PER ASSY
03-160	315T3633-112		...BRACKET ASSY	A,D,J M,AJ AL	1
165	BACB28AP04P022		...BUSHING	A,D,E H,J M,N,R AJ-A M	1
170	BACB28AP06P022		...BUSHING	A,D,E H,J M,N,R AJ-A M	1
175	HL1012AZ6-6		...BOLT- (V97928) (SPEC BACB30NX6K6) (OPT HL12VAZ6-6 (V73197)) (OPT HL12VAZ6-6 (V92215)) (OPT HL12VAZ6-6 (V97928)) (OPT L802-6K6 (V06725)) (OPT HL12VAZ6-6 (V56878)) (OPT HL1012AZ6-6 (V0PTK6)) (OPT HL1012AZ6-6 (V06725)) (OPT HL1012AZ6-6 (V06950)) (OPT HL1012AZ6-6 (V17446)) (OPT HL1012AZ6-6 (V56878)) (OPT HL1012AZ6-6 (V60516)) (OPT HL1012AZ6-6 (V73197))	A,D,E H,J M,N,R AJ-A M	2

71-11-33

 ILLUSTRATED PARTS LIST
 01.1 Page 1040V
 Jul 01/04


BOEING
 COMPONENT
 MAINTENANCE MANUAL

FIG. & ITEM	PART NO.	AIRLINE PART NUMBER	NOMENCLATURE 1234567	EFF CODE	QTY PER ASSY
03-180	NAS43DD3-8		...SPACER	A,D,E H,J M,N,R AJ-A M	2
185	BACW10P69S		...WASHER	A,D,E H,J M,N,R AJ-A M	2
190	HL1187DUW6		...COLLAR- (V5M902) (SPEC BACC30X6SW) (OPT HL87DUW6 (V73197)) (OPT HL87DUW6 (V92215)) (OPT HL1187DUW6 (V56878)) (OPT HL1187DUW6 (V92215)) (OPT HL87DUW6 (V56878)) (OPT HL1187DUW6 (V73197))	A,D,E H,J M,N,R AJ-A M	2
195	315T3730-3		...BRACKET	A,D,J M,AJ AL	1
-200	315T3730-4		...BRACKET	E,H,N R,AK AM	1

71-11-33

 ILLUSTRATED PARTS LIST
 01.1 Page 1040W
 Jul 01/04

FIG. & ITEM	PART NO.	AIRLINE PART NUMBER	NOMENCLATURE 1234567	EFF CODE	QTY PER ASSY
03-205	315T3633-113		..BRACKET ASSY	A,D,J M,AJ AL	1
-210	315T3633-114		..BRACKET ASSY	E,H,N R,AK AM	1
215	HL10VAZ6-12		ATTACHING PARTS ..BOLT- (V60516) (SPEC BACB30MY6K12) (OPT B30MY6K12 (V97928))	A,D,E H,J M,N,R AJ-A M	2
220	HL79-6		..COLLAR- (V5M902) (SPEC BACC30M6) (OPT HL79-6 (V73197)) (OPT HL79-6 (V92215)) (OPT 66014-6 (V56878)) (OPT HL79-6 (V56878))	A,D,E H,J M,N,R AJ-A M	2

71-11-33

 ILLUSTRATED PARTS LIST
 01.1 Page 1040X
 Jul 01/04


BOEING
 COMPONENT
 MAINTENANCE MANUAL

FIG. & ITEM	PART NO.	AIRLINE PART NUMBER	NOMENCLATURE 1234567	EFF CODE	QTY PER ASSY
03-225	HL1012AZ6-12		..BOLT- (V97928) (SPEC BACB30NX6K12) (OPT L802-6K12 (V06725)) (OPT HL12VAZ6-12 (V73197)) (OPT HL12VAZ6-12 (V92215)) (OPT HL12VAZ6-12 (V97928)) (OPT HL12VAZ6-12 (V56878)) (OPT HL1012AZ6-12 (V0PTK6)) (OPT HL1012AZ6-12 (V06725)) (OPT HL1012AZ6-12 (V06950)) (OPT HL1012AZ6-12 (V17446)) (OPT HL1012AZ6-12 (V56878)) (OPT HL1012AZ6-12 (V60516)) (OPT HL1012AZ6-12 (V73197))	A,D,E H,J, M,N,R AJ-A M	2
230A	HL1187-6		..COLLAR- (V5M902) (SPEC BACC30X6) (OPT HL87-6 (V73197)) (OPT HL87-6 (V92215)) (OPT HL1187-6 (V56878)) (OPT HL1187-6 (V92215)) (OPT HL87-6 (V56878)) (OPT HL1187-6 (V73197)) (OPT ITEM 230B)	A,D,E H,J, M,N,R AJ-A M	2

71-11-33

 ILLUSTRATED PARTS LIST
 01.1 Page 1040Y
 Jul 01/04

FIG. & ITEM	PART NO.	AIRLINE PART NUMBER	NOMENCLATURE 1234567	EFF CODE	QTY PER ASSY
03- -230B	HL1187DU6		..COLLAR- (V5M902) (SPEC BACC30X6S) (OPT HL87DU6 (V73197)) (OPT HL87DU6 (V92215)) (OPT HL1187DU6 (V56878)) (OPT HL1187DU6 (V92215)) (OPT HL87DU6 (V56878)) (OPT HL1187DU6 (V73197)) (OPT ITEM 230A)	A,D,E ,H,J, M,N,R ,AJ-A M	2
235	BACR15FT6KE		..RIVET- (SIZE DETERMINE ON INST)	A,D,E ,H,J, M,N,R ,AJ-A M	18
240	315T3202-43		..FILLER-RADIUS	A,D,E ,H,J, M,N,R ,AJ-A M	4
245	315T3202-44		..FILLER	A,D,E ,H,J, M,N,R ,AJ-A M	4
250	BACR15CE5KE		-----*----- ...RIVET- (SIZE DETERMINE ON INST)	A,D,E ,H,J, M,N,R ,AJ-A M	1
255	BACR15BB5AD		...RIVET- (SIZE DETERMINE ON INST)	A,D,E ,H,J, M,N,R ,AJ-A M	1

71-11-33

 ILLUSTRATED PARTS LIST
 01.1 Page 1040Z
 Jul 01/04


BOEING
 COMPONENT
 MAINTENANCE MANUAL

FIG. & ITEM	PART NO.	AIRLINE PART NUMBER	NOMENCLATURE 1234567	EFF CODE	QTY PER ASSY
03-260	BACR15BB6AD		...RIVET- (SIZE DETERMINE ON INST)	A,D,E ,H,J, M,N,R ,AJ-A M	1
265	315T3633-98		...STIFFENER ASSY	A,D,E ,H,J, M,N,R ,AJ-A M	1
270	BACR15BA3AD	RIVET- (SIZE DETERMINE ON INST)	A,D,E ,H,J, M,N,R ,AJ-A M	4
275	BRF200C3M	NUTPLATE- (V52828) (SPEC BACN10JR3CFM) (OPT F5001-3BAC (V15653)) (OPT NS103203SE02 (V80539)) (OPT T8092C1032 (V11815)) (OPT VN152D1-02 (V92215)) (OPT 109F9201-3 (V72962))	A,D,E ,H,J, M,N,R ,AJ-A M	2
280	315T3633-99	STIFFENER	A,D,E ,H,J, M,N,R ,AJ-A M	1

71-11-33

ILLUSTRATED PARTS LIST

01.1

Page 1041

Jul 01/04

FIG. & ITEM	PART NO.	AIRLINE PART NUMBER	NOMENCLATURE 1234567	EFF CODE	QTY PER ASSY
03-285	315T3633-139		..BRACKET ASSY- (USED ON ITEMS 30, 30A, 30B, 30C, 30D, 30E, 30F, 30G)	A,D,J ,M,AJ ,AL	1
-285A	315T3633-149		..BRACKET ASSY- (USED ON ITEMS 30J, 30K, 30L)	A,D,J ,M,AJ ,AL	1
-290	315T3633-138		..BRACKET ASSY- (USED ON ITEMS 35, 35A, 35B, 35C, 35D, 35E, 35F)	E,H,N ,R,AK ,AM	1
-290A	315T3633-150		..BRACKET ASSY- (USED ON ITEMS 35H, 35J, 35K)	E,H,N ,R,AK ,AM	1
295	HL10VAZ6-5		ATTACHING PARTS ..BOLT- (V60516) (SPEC BACB30MY6K5) (OPT B30MY6K5 (V97928))	A,D,E ,H,J, M,N,R ,AJ-A M	4
300	HL79-6		..COLLAR- (V5M902) (SPEC BACC30M6) (OPT HL79-6 (V73197)) (OPT HL79-6 (V92215)) (OPT 66014-6 (V56878)) (OPT HL79-6 (V56878))	A,D,E ,H,J, M,N,R ,AJ-A M	4

71-11-33

 ILLUSTRATED PARTS LIST
 01.1 Page 1042
 Jul 01/04

BOEING
 COMPONENT
 MAINTENANCE MANUAL

FIG. & ITEM	PART NO.	AIRLINE PART NUMBER	NOMENCLATURE 1234567	EFF CODE	QTY PER ASSY
03-305	BACR15FT6KE		..RIVET- (SIZE DETERMINE ON INST)	A,D,J ,M,AJ ,AL	8
			-----*-----		
310	BACR15BB3AD		...RIVET- (SIZE DETERMINE ON INST)	A,D,E ,H,J ,M,N,R ,AJ-A M	4
315	BRF100C4M		...NUTPLATE- (V52828) (SPEC BACN10KB4CFM) (OPT F2001-4 (V15653)) (OPT T8113C428C (V11815)) (OPT VN151D1-048 (V92215)) (OPT 109F9207-4 (V72962)) (OPT F2001-4 (V15653))	A,D,E ,H,J ,M,N,R ,AJ-A M	2
320	BACF3F009D009NN		..FILLER	A,D,E ,H,J ,M,N,R ,AJ-A M	2
325	BACF3F009L046NN		..FILLER	A,D,E ,H,J ,M,N,R ,AJ-A M	2
330	315T3656-15		..BOX ASSY	A,D,E ,J,M AJ,AL	1
-335	315T3656-14		..BOX ASSY	E,H,N ,R,AK ,AM	1
			ATTACHING PARTS		

71-11-33

ILLUSTRATED PARTS LIST
 01.1 Page 1042A
 Jul 01/04

FIG. & ITEM	PART NO.	AIRLINE PART NUMBER	NOMENCLATURE 1234567	EFF CODE	QTY PER ASSY
03-340	BACR15FT6KE		..RIVET- (SIZE DETERMINE ON INST)	A,D,E ,H,J, M,N,R ,AJ-A M	6
			-----*-----		
345	BACR15BB3AD		...RIVET- (SIZE DETERMINE ON INST)	A,D,E ,H,J, M,N,R ,AJ-A M	8
350	MF6000-3		...NUTPLATE- (V15653) (SPEC BACN10KJ3)	A,D,E ,H,J, M,N,R ,AJ-A M	4
355	315T3245-1		...RETAINER ASSY	A,D,E ,H,J, M,N,R ,AJ-A M	1
360	BACR15BA5AD		...RIVET- (SIZE DETERMINE ON INST)	A,D,E ,H,J, M,N,R ,AJ-A M	4
365	MS21209F8-10	INSERT	A,D,E ,H,J, M,N,R ,AJ-A M	1
370	315T3245-2	RETAINER	A,D,E ,H,J, M,N,R ,AJ-A M	1

71-11-33

ILLUSTRATED PARTS LIST

01.1 Page 1042B

Jul 01/04


BOEING
 COMPONENT
 MAINTENANCE MANUAL

FIG. & ITEM	PART NO.	AIRLINE PART NUMBER	NOMENCLATURE 1234567	EFF CODE	QTY PER ASSY
03-375	315T3206-15		..FITTING ASSY-V GROOVE (OPT ITEM 375A) (USED ON ITEM 30B)	A,D,J ,M,AJ ,AL	1
-375A	315T3206-19		..FITTING ASSY-V GROOVE (OPT ITEM 375) (USED ON ITEM 30B)	A,D,J ,M,AJ ,AL	1
-375B	315T3206-19		..FITTING ASSY-V GROOVE (OPT ITEM 375C) (USED ON ITEMS 30C, 30F, 30G, 30J, 30K, 30L)	A,D,J ,M,AJ ,AL	1
-375C	315T3206-29		..FITTING ASSY-V GROOVE (OPT ITEM 375B) (USED ON ITEMS 30C, 30F, 30G, 30J, 30K, 30L)	A,D,J ,M,AJ ,AL	1
-375D	315T3206-15		..FITTING ASSY-V GROOVE (USED ON ITEMS 30, 30A, 30E)	A,D,J ,M,AJ ,AL	1
-375E	315T3206-15		..FITTING ASSY-V GROOVE (OPT ITEMS 375F, 375G) (USED ON ITEM 30D)	A,D,J ,M,AJ ,AL	1
-375F	315T3206-19		..FITTING ASSY-V GROOVE (OPT ITEMS 375E, 375G) (USED ON ITEM 30D)	A,D,J ,M,AJ ,AL	1
-375G	315T3206-29		..FITTING ASSY-V GROOVE (OPT ITEMS 375E, 375F) (USED ON ITEM 30D)	A,D,J ,M,AJ ,AL	1
-380	315T3206-16		..FITTING ASSY-V GROOVE (OPT ITEM 380A) (USED ON ITEM 35B)	E,H,N ,R,AK ,AM	1
-380A	315T3206-20		..FITTING ASSY-V GROOVE (OPT ITEM 380) (USED ON ITEM 35B)	E,H,N ,R,AK ,AM	1
-380B	315T3206-16		..FITTING ASSY-V GROOVE (USED ON ITEMS 35, 35A, 35C)	E,H,N ,R,AK ,AM	1
-380C	315T3206-30		..FITTING ASSY-V GROOVE (USED ON ITEMS 35D, 35F, 35H, 35J, 35K)	E,H,N ,R,AK ,AM	1
-380D	315T3206-16		..FITTING ASSY-V GROOVE (OPT ITEMS 380E, 380F) (USED ON ITEM 35E)	E,H,N ,R,AK ,AM	1
-380E	315T3206-20		..FITTING ASSY-V GROOVE (OPT ITEMS 380D, 380F) (USED ON ITEM 35E)	E,H,N ,R,AK ,AM	1

71-11-33

 ILLUSTRATED PARTS LIST
 01.1 Page 1042C
 Jul 01/04

FIG. & ITEM	PART NO.	AIRLINE PART NUMBER	NOMENCLATURE 1234567	EFF CODE	QTY PER ASSY
03- -380F	315T3206-30		..FITTING ASSY-V GROOVE (OPT ITEMS 380D, 380E) (USED ON ITEM 35E)	E,H,N ,R,AK ,AM	1
385	BACR15CE3D		...RIVET- (SIZE DETERMINE ON INST)	A,D,E ,H,J, ,M,N,R ,AJ-A M	24
390	NS103191SE02-2		...NUTPLATE- (V80539) (SPEC BACN10KE3B2CM) (OPT F51747-3-2DL (V15653)) (OPT 104F9213-2-3 (V72962)) (OPT 104F9213-2-3 (V72962))	A,D,E ,H,J, ,M,N,R ,AJ-A M	12
395	315T3206-17		...FITTING- (USED ON ITEMS 375, 375D, 375E)	A,D,J ,M,AJ ,AL	1
-395A	315T3206-21		...FITTING- (USED ON ITEMS 375A, 375B, 375F)	A,D,J ,M,AJ ,AL	1
-395B	315T3206-27		...FITTING- (USED ON ITEMS 375C, 375G)	A,D,J ,M,AJ ,AL	1
-400	315T3206-18		...FITTING- (USED ON ITEMS 380, 380B, 380D)	E,H,N ,R,AK ,AM	1
-400A	315T3206-22		...FITTING- (USED ON ITEMS 380A, 380E)	E,H,N ,R,AK ,AM	1
-400B	315T3206-28		...FITTING- (USED ON ITEMS 380C, 380F)	E,H,N ,R,AK ,AM	1
405	315T3314-7		..FITTING ASSY-ATTACH	A,D,J ,M,AJ ,AL	1
-410	315T3314-8		..FITTING ASSY-ATTACH	E,H,N ,R,AK ,AM	1

71-11-33

 ILLUSTRATED PARTS LIST
 01.1 Page 1042D
 Jul 01/04


BOEING
 COMPONENT
 MAINTENANCE MANUAL

FIG. & ITEM	PART NO.	AIRLINE PART NUMBER	NOMENCLATURE 1234567	EFF CODE	QTY PER ASSY
03-					
415	HL10VAZ6-4		ATTACHING PARTS ..BOLT- (V60516) (SPEC BACB30MY6K4) (OPT B30MY6K4 (V97928))	A,D,E ,H,J, M,N,R ,AJ-A M	7
420	HL10VAZ6-5		..BOLT- (V60516) (SPEC BACB30MY6K5) (OPT B30MY6K5 (V97928))	A,D,E ,H,J, M,N,R ,AJ-A M	9
423	MS21141-0605P		..FASTENER	A,D,E ,H,J, M,N,R ,AJ-A M	8
425	L8006K6		..BOLT- (V06725) (SPEC BACB30MY6K6) (OPT HL10VAZ6-6 (VOPTK6))	A,D,E ,H,J, M,N,R ,AJ-A M	1
428	MS21141-0606P		..FASTENER	A,D,E ,H,J, M,N,R ,AJ-A M	2
430	HL79-6		..COLLAR- (V5M902) (SPEC BACC30M6) (OPT HL79-6 (V73197)) (OPT HL79-6 (V92215)) (OPT 66014-6 (V56878)) (OPT HL79-6 (V56878))	A,D,E ,H,J, M,N,R ,AJ-A M	17

71-11-33

ILLUSTRATED PARTS LIST

01.1 Page 1042E

Jul 01/04

FIG. & ITEM	PART NO.	AIRLINE PART NUMBER	NOMENCLATURE 1234567	EFF CODE	QTY PER ASSY
03-435	HL10VAZ8-6		..BOLT- (V60516) (SPEC BACB30MY8K6) (OPT B30MY8K6 (V97928))	A,D,E ,H,J, M,N,R ,AJ-A M	1
440	HL10VAZ8-7		..BOLT- (V60516) (SPEC BACB30MY8K7) (OPT B30MY8K7 (V97928))	A,D,E ,H,J, M,N,R ,AJ-A M	1
445	HL79-8		..COLLAR- (V5M902) (SPEC BACC30M8) (OPT HL79-8 (V73197)) (OPT HL79-8 (V92215)) (OPT 66014-8 (V56878)) (OPT HL79-8 (V56878))	A,D,E ,H,J, M,N,R ,AJ-A M	2
450	BACB30NR4K7		..BOLT	A,D,E ,H,J, M,N,R ,AJ-A M	1
455	AN960PD416L		..WASHER	A,D,E ,H,J, M,N,R ,AJ-A M	1

71-11-33

ILLUSTRATED PARTS LIST

01.1 Page 1042F

Jul 01/04

BOEING
 COMPONENT
 MAINTENANCE MANUAL

FIG. & ITEM	PART NO.	AIRLINE PART NUMBER	NOMENCLATURE 1234567	EFF CODE	QTY PER ASSY
03-460	BRH10A4		..NUT- (V52828) (SPEC BACN10JC4) (OPT T6S428J (V11815)) (OPT 96-048 (V80539)) (OPT VN303A048 (V92215)) (OPT RMLH9075-4W (V72962)) (OPT NS202101-048 (V80539)) (OPT H10-4BAC (V15653)) -----*	A,D,E ,H,J, M,N,R ,AJ-A M	1
465	315T3315-1		...BUSHING	A,D,E ,H,J, M,N,R ,AJ-A M	2
470	315T3314-9		...FITTING	A,D,J ,M,AJ ,AL	1
-475	315T3314-10		...FITTING	E,H,N ,R,AK ,AM	1
480	315T3704-1		..BRACKET ASSY	A,D,E ,H,J, M,N,R ,AJ-A M	1
			ATTACHING PARTS		

71-11-33

ILLUSTRATED PARTS LIST
 01.1 Page 1042G
 Jul 01/04

FIG. & ITEM	PART NO.	AIRLINE PART NUMBER	NOMENCLATURE 1234567	EFF CODE	QTY PER ASSY
03-485	NAS1398CW6-5		..RIVET	A,D,E H,J, M,N,R AJ-A M	2
490	BACR15BA3AD2		-----*----- ...RIVET	A,D,E H,J, M,N,R AJ-A M	4
495	BR1000A3		...NUTPLATE- (V52828) (SPEC BACN10KB3) (OPT K2000-3 (V15653)) (OPT RMA9207-3 (V72962)) (OPT T8109S1032 (V11815)) (OPT VN101A1-02 (V92215)) (OPT K2000-3 (V15653))	A,D,E H,J, M,N,R AJ-A M	2
500	315T3704-2		...BRACKET	A,D,E H,J, M,N,R AJ-A M	1
504	315T3202-104		..SEAL	A,D,J M,AJ AL	1

71-11-33

 ILLUSTRATED PARTS LIST
 01.1 Page 1042H
 Jul 01/04


BOEING
 COMPONENT
 MAINTENANCE MANUAL

FIG. & ITEM	PART NO.	AIRLINE PART NUMBER	NOMENCLATURE 1234567	EFF CODE	QTY PER ASSY
03-505	315T3202-48		..SEAL- (OPT ITEM 505B) (USED ON ITEMS 30, 30A, 30B, 30E, 35, 35A, 35B, 35C)	A,D,E ,H,J, M,N,R ,AJ-A M	1
-505A	315T3202-100		..SEAL- (USED ON ITEMS 30C, 30D, 30F, 30G, 30J, 30K, 35D, 35E, 35F, 35H, 35J)	A,D,E ,H,J, M,N,R ,AJ-A M	1
-505B	315T3202-100		..SEAL- (OPT ITEM 505) (USED ON ITEMS 30, 30A, 30B, 30E, 35, 35A, 35B, 35C)	A,D,E ,H,J, M,N,R ,AJ-A M	1
506	HL10VAZ5-3		..BOLT- (V60516) (SPEC BACB30MY5K3) (OPT B30MY5K3 (V97928))	A,D,E ,H,J, M,N,R ,AJ-A M	175
507	HL10VAZ5-3		..BOLT- (V60516) (SPEC BACB30MY5K3) (OPT B30MY5K3 (V97928))	A,D,J ,M,AJ ,AL	5
-507A	HL10VAZ5-4		..BOLT- (V60516) (SPEC BACB30MY5K4) (OPT B30MY5K4 (V97928))	E,H,N ,R,AK ,AM	5
508	HL70-5		..COLLAR- (V5M902) (SPEC BACC30M5) (OPT HL70-5 (V73197)) (OPT HL70-5 (V92215)) (OPT 66014-5 (V56878)) (OPT HL70-5 (V56878))	A,D,E ,H,J, M,N,R ,AJ-A M	180
509	315T3202-59		..RETAINER-SEAL (USED ON ITEMS 30, 30A, 30B, 30E)	A,D,J ,M,AJ ,AL	1

71-11-33

ILLUSTRATED PARTS LIST

01.1 Page 1042I

Jul 01/04

FIG. & ITEM	PART NO.	AIRLINE PART NUMBER	NOMENCLATURE 1234567	EFF CODE	QTY PER ASSY
03- -509A	315T3202-101		..RETAINER-SEAL (USED ON ITEMS 30C, 30F, 30G, 30J, 30K, 30L)	A,D,J ,M,AJ ,AL	1
-509B	315T3202-59		..RETAINER-SEAL (OPT ITEM 509C) (USED ON ITEM 30D)	A,D,J ,M,AJ ,AL	1
-509C	315T3202-101		..RETAINER-SEAL (OPT ITEM 509B) (USED ON ITEM 30D)	A,D,J ,M,AJ ,AL	1
-509P	315T3202-60		..RETAINER-SEAL (USED ON ITEMS 35, 35A, 35B, 35C)	E,H,N ,R,AK ,AM	1
-509Q	315T3202-102		..RETAINER-SEAL (USED ON ITEMS 35D, 35F, 35H, 35J, 35K)	E,H,N ,R,AK ,AM	1
-509R	315T3202-60		..RETAINER-SEAL (OPT ITEM 509S) (USED ON ITEM 35E)	E,H,N ,R,AK ,AM	1
-509S	315T3202-102		..RETAINER-SEAL (OPT ITEM 509R) (USED ON ITEM 35E)	E,H,N ,R,AK ,AM	1
510	315T3201-5		..STRIP ASSY-RUB (USED ON ITEMS 30, 30A)	A,D,J ,M,AJ ,AL	1
510A	315T3201-21		DELETED		
510B	315T3201-28		..STRIP ASSY-RUB (USED ON ITEMS 30B, 30C, 30D, 30E, 30F, 30G, 30J, 30K, 30L)	A,D,J ,M,AJ ,AL	1
-515	315T3201-6		..STRIP ASSY-RUB (USED ON ITEMS 35, 35A)	E,H,N ,R,AK ,AM	1
-515A	315T3201-22		DELETED		
-515B	315T3201-29		..STRIP ASSY-RUB (USED ON ITEMS 35B, 35C, 35D, 35E, 35F, 35H, 35J, 35K)	E,H,N ,R,AK ,AM	1
520	BACB30LR3-6		ATTACHING PARTS ..BOLT	A,D,E ,H,J, ,M,N,R ,AJ-A M	4

71-11-33

ILLUSTRATED PARTS LIST

01.1 Page 1042J

Jul 01/04


BOEING
 COMPONENT
 MAINTENANCE MANUAL

FIG. & ITEM	PART NO.	AIRLINE PART NUMBER	NOMENCLATURE 1234567	EFF CODE	QTY PER ASSY
03-525	BACB30LK3-2		..BOLT- (USED ON ITEMS 30, 30A, 35, 35A) (USED WITH ITEMS 530, 535)	A,D,E ,H,J, M,N,R ,AJ-A M	2
530	AN960PD10L		..WASHER- (USED ON ITEMS 30, 30A, 35, 35A) (USED WITH ITEM 525)	A,D,E ,H,J, M,N,R ,AJ-A M	2
535	H10-3BAC		..NUT- (V15653) (SPEC BACN10JC3) (OPT NS202101-02 (V80539)) (OPT RMLH9075-3W (V72962)) (OPT T6S1032J (V71087)) (OPT VN303A02 (V92215)) (OPT 96-02 (V80539)) (OPT BRH10A3 (V52828)) (USED ON ITEMS 30, 30A, 35, 35A) (USED WITH ITEM 525)	A,D,E ,H,J, M,N,R ,AJ-A M	2
540	BACB30LR3-5		..BOLT- (OPT ITEM 540A) (USED ON ITEMS 30B, 30C, 30D, 30E, 30F, 30G, 30J, 30K, 35B, 35C, 35D, 35E, 35F, 35H, 35J, 35K)	A,D,E ,H,J, M,N,R ,AJ-A M	1
-540A	BACB30LH3-5		..BOLT- (OPT ITEM 540) (USED ON ITEMS 30B, 30C, 30D, 30E, 30F, 30G, 30J, 30K, 35B, 35C, 35D, 35E, 35F, 35H, 35J, 35K) -----*	A,D,E ,H,J, M,N,R ,AJ-A M	1

71-11-33

 ILLUSTRATED PARTS LIST
 01.1 Page 1042K
 Jul 01/04

FIG. & ITEM	PART NO.	AIRLINE PART NUMBER	NOMENCLATURE 1234567	EFF CODE	QTY PER ASSY
03-545	BACR15BA5A		...RIVET- (SIZE DETERMINE ON INST) (USED ON ITEMS 510, 515)	A,D,E ,H,J, M,N,R ,AJ-A M	20
545A	BACR15BA5A		...RIVET- (SIZE DETERMINE ON INST) (USED ON ITEMS 510B, 515B)	A,D,E ,H,J, M,N,R ,AJ-A M	15
550	315T3201-8		...SUPPORT- (USED ON ITEMS 510, 515)	A,D,E ,H,J, M,N,R ,AJ-A M	1
555	315T3201-9		...STRIP- (USED ON ITEM 510)	A,D,J ,M,AJ ,AL	1
555A	315T3201-23		DELETED		
555B	315T3201-30		...STRIP- (USED ON ITEM 510B)	A,D,J ,M,AJ ,AL	1
-560	315T3201-12		...STRIP- (USED ON ITEM 515)	E,H,N ,R,AK ,AM	1
-560A	315T3201-24		DELETED		
-560B	315T3201-31		...STRIP- (USED ON ITEM 515B)	E,H,N ,R,AK ,AM	1

71-11-33

 ILLUSTRATED PARTS LIST
 01.1 Page 1042L
 Jul 01/04


BOEING
 COMPONENT
 MAINTENANCE MANUAL

FIG. & ITEM	PART NO.	AIRLINE PART NUMBER	NOMENCLATURE 1234567	EFF CODE	QTY PER ASSY
03-565	315T3201-13		...STRIP-RUB (USED ON ITEM 510)	A,D,J ,M,AJ ,AL	1
565A	315T3201-25		...STRIP-RUB (USED ON ITEM 510B)	A,D,J ,M,AJ ,AL	1
-570	315T3201-14		...STRIP-RUB (USED ON ITEM 515)	E,H,N ,R,AK ,AM	1
-570A	315T3201-26		...STRIP-RUB (USED ON ITEM 515B)	E,H,N ,R,AK ,AM	1
575	BACB30LR3-6		..BOLT	A,D,E ,H,J ,M,N,R ,AJ-A M	28
580	315T3201-7		..STRIP-RUB	A,D,E ,H,J ,M,N,R ,AJ-A M	5
585	315T3201-10		..STRIP-RUB	A,D,J ,M,AJ ,AL	1
-590	315T3201-11		..STRIP-RUB (USED ON ITEMS 35, 35A)	E,H,N ,R,AK ,AM	1
-590A	315T3201-20		..STRIP-RUB (USED ON ITEMS 35B, 35C, 35D, 35E, 35F, 35H, 35K)	E,H,N ,R,AK ,AM	1
-590B	315T3201-27		..STRIP-RUB (USED ON ITEM 35J)	E,H,N ,R,AK ,AM	1

71-11-33

 ILLUSTRATED PARTS LIST
 01.1 Page 1042M
 Jul 01/04

FIG. & ITEM	PART NO.	AIRLINE PART NUMBER	NOMENCLATURE 1234567	EFF CODE	QTY PER ASSY
03-595	BACR15BB3AD		..RIVET- (SIZE DETERMINE ON INST)	A,D,E ,H,J, M,N,R ,AJ-A M	64
600	F5000-3BAC		..NUTPLATE- (V15653) (SPEC BACN10JR3F) (OPT NS103203-02 (V80539)) (OPT RMF9201-3 (V72962)) (OPT T8091S1032 (V11815)) (OPT VN152A1-02 (V92215)) (OPT BRF200A3 (V52828))	A,D,E ,H,J, M,N,R ,AJ-A M	32
605	BACB30LJ4-3		..BOLT	A,D,E ,H,J, M,N,R ,AJ-A M	6
610	BACR15BB3AD		..RIVET- (SIZE DETERMINE ON INST)	A,D,E ,H,J, M,N,R ,AJ-A M	12
615	BRFM20C4M		..NUTPLATE- (V52828) (SPEC BACN10JN4CM) (OPT MF1001-4BAC (V15653)) (OPT NS103218SE048 (V80539)) (OPT VN252D048 (V92215)) (OPT 109F9201M4 (V72962)) (OPT T8125C4C (V11815)) (OPT T8125C4C (V11815))	A,D,E ,H,J, M,N,R ,AJ-A M	6

71-11-33

 ILLUSTRATED PARTS LIST
 01.1 Page 1042N
 Jul 01/04

BOEING
 COMPONENT
 MAINTENANCE MANUAL

FIG. & ITEM	PART NO.	AIRLINE PART NUMBER	NOMENCLATURE 1234567	EFF CODE	QTY PER ASSY
03-616	NAS1801-3-12		..SCREW	A,D,E H,J M,N,R AJ-A M	4
617	MS35338-43		..WASHER	A,D,E H,J M,N,R AJ-A M	4
618	AN960D10L		..WASHER	A,D,E H,J M,N,R AJ-A M	12
619	H10-3BAC		..NUT- (V15653) (SPEC BACN10JC3) (OPT NS202101-02 (V80539)) (OPT RMLH9075-3W (V72962)) (OPT T6S1032J (V71087)) (OPT VN303A02 (V92215)) (OPT 96-02 (V80539)) (OPT BRH10A3 (V52828))	A,D,E H,J M,N,R AJ-A M	4

71-11-33

ILLUSTRATED PARTS LIST
 01.1 Page 10420
 Jul 01/04

FIG. & ITEM	PART NO.	AIRLINE PART NUMBER	NOMENCLATURE 1234567	EFF CODE	QTY PER ASSY
03-619G	MS35650-305S		..NUT	A,D,E ,H,J, M,N,R ,AJ-A M	4
620	BAC27TTR0025		..MARKER-ALUMINUM FOIL-GSE HOIST POINT	A,D,E ,H,J, M,N,R ,AJ-A M	4
625	BAC27TTR0036		..MARKER-ALUMINUM FOIL	A,D,E ,H,J, M,N,R ,AJ-A M	1
630	BAC27TTR0039		..MARKER-ALUMINUM FOIL (USED ON ITEMS 30, 30A, 30B, 30C, 30D, 30E, 30F, 35, 35A, 35B, 35C, 35D, 35E)	A,D,E ,H,J, M,N,R ,AJ-A M	1
630A	BAC27TTR0042		..MARKER-ALUMINUM FOIL (USED ON ITEMS 30G, 30J, 30K, 30L, 35F, 35H, 35J, 35K)	A,D,E ,H,J, M,N,R ,AJ-A M	1
635	BAC27TPP0209		..MARKER-ALUMINUM FOIL GD 4350S	A,D,J ,M,AJ ,AL	1
640	BAC27TPP0210		..MARKER-ALUMINUM FOIL GD 4346S	A,D,J ,M,AJ ,AL	1

71-11-33

 ILLUSTRATED PARTS LIST
 01.1 Page 1042P
 Jul 01/04

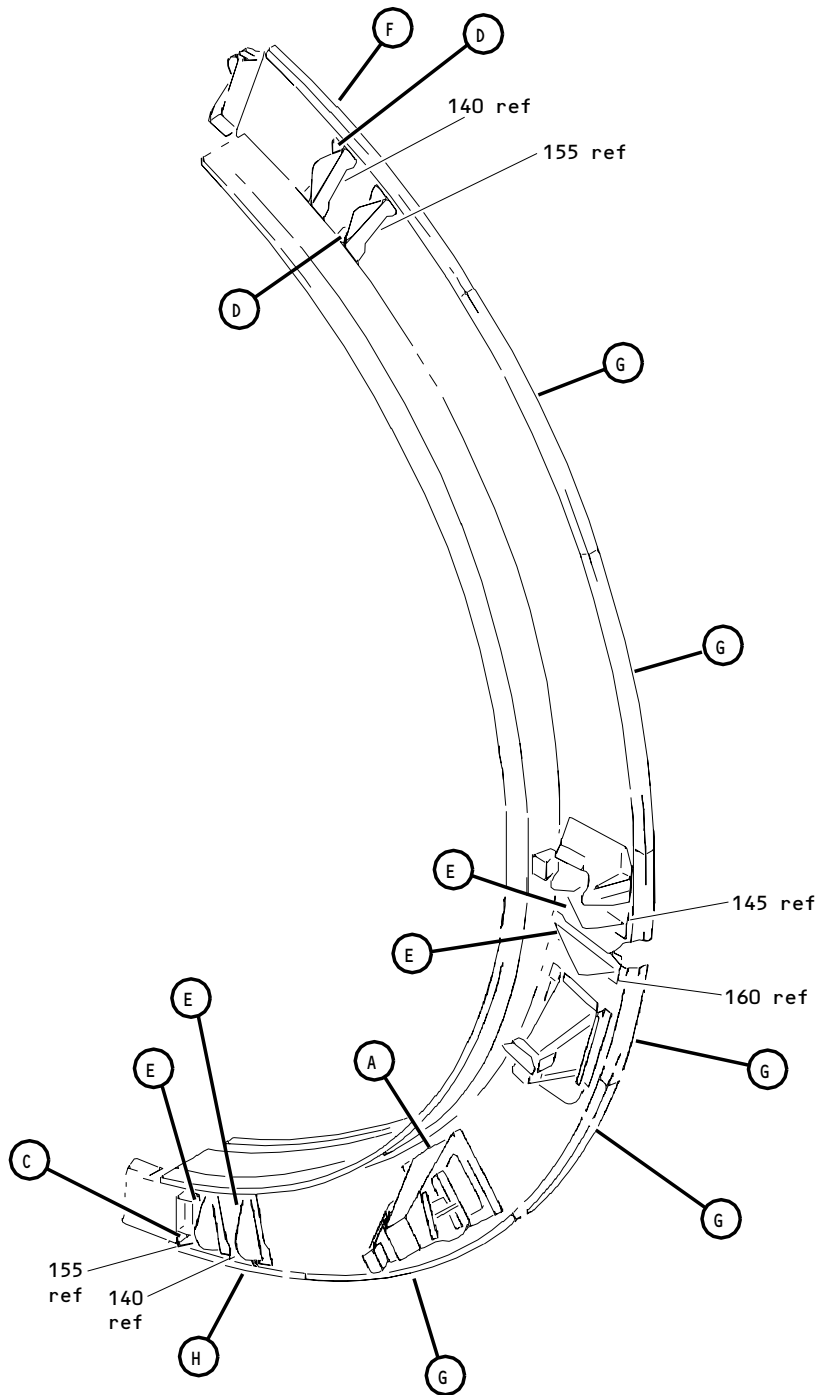
BOEING
 COMPONENT
 MAINTENANCE MANUAL

FIG. & ITEM	PART NO.	AIRLINE PART NUMBER	NOMENCLATURE 1234567	EFF CODE	QTY PER ASSY
03-645	BAC27TPP0211		..MARKER-ALUMINUM FOIL GD 4342S	A,D,J ,M,AJ ,AL	1
650	BAC27TPP0217		..MARKER-ALUMINUM FOIL GD 4334S	A,D,J ,M,AJ ,AL	1
-655	BAC27TPP0213		..MARKER-ALUMINUM FOIL GD 4352S	E,H,N ,R,AK ,AM	1
-660	BAC27TPP0214		..MARKER-ALUMINUM FOIL GD 4348S	E,H,N ,R,AK ,AM	1
-665	BAC27TPP0215		..MARKER-ALUMINUM FOIL GD 4344S	E,H,N ,R,AK ,AM	1
-670	BAC27TPP0218		..MARKER-ALUMINUM FOIL GD 4336S	E,H,N ,R,AK ,AM	1
			DELETED 315T3202-5001, -5002, -5003, -5004 *(2) THIS HARDWARE USED ON 315T3202-5005, -5006, -5008 -5009, -5010, -5011, -5012, -5013, -5017, -5018, -5019, -5023, -5024, -5033, -5034, -5037, -5038.		

- Item Not Illustrated

71-11-33

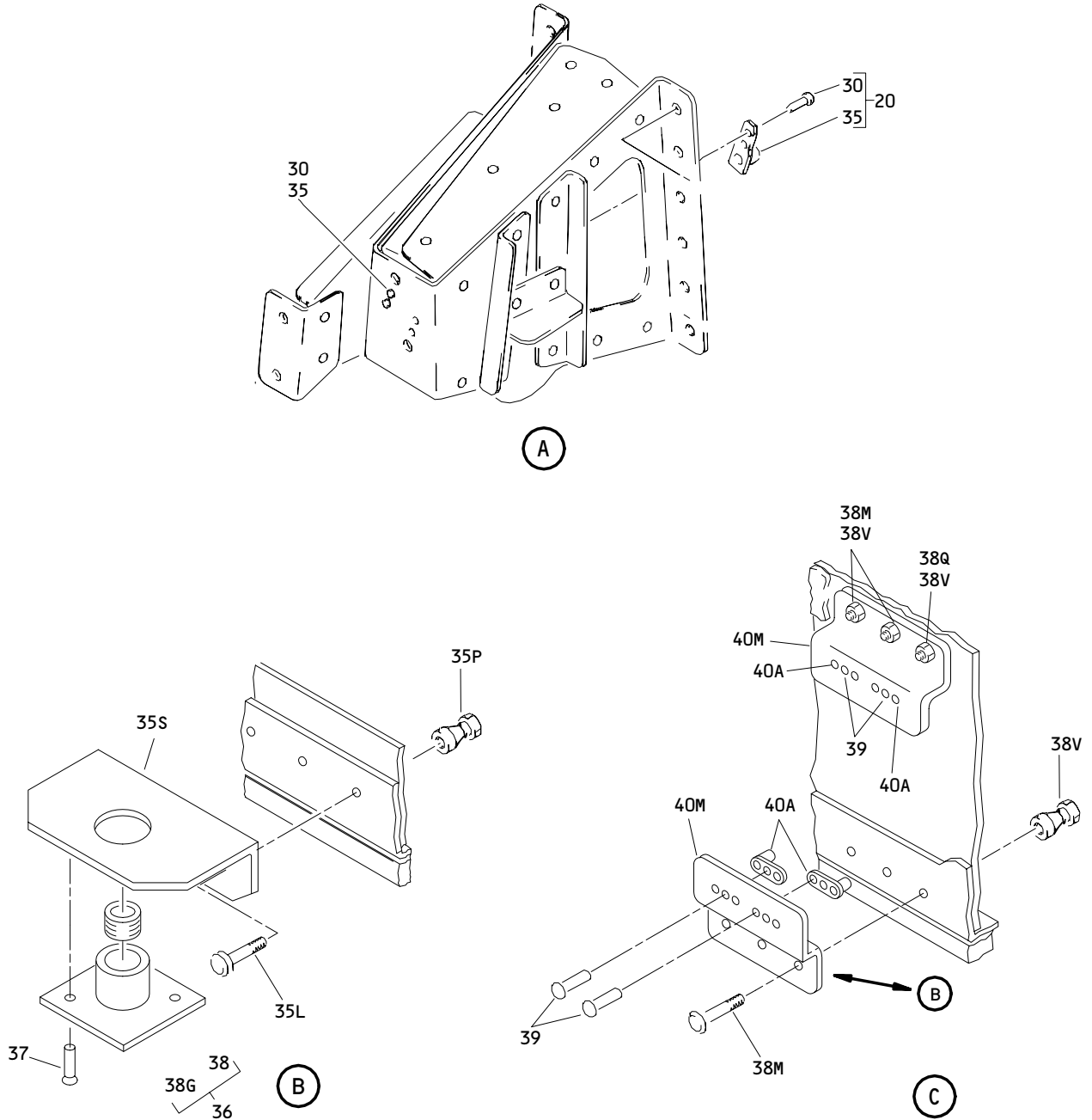
ILLUSTRATED PARTS LIST
 01.1 Page 1042Q
 Jul 01/04



Engine Outboard and Inboard Side Fan Duct Reverser
JT9D-7R4 Engine Torque Left Side Box Installation
Figure 4 (Sheet 1)

71-11-33

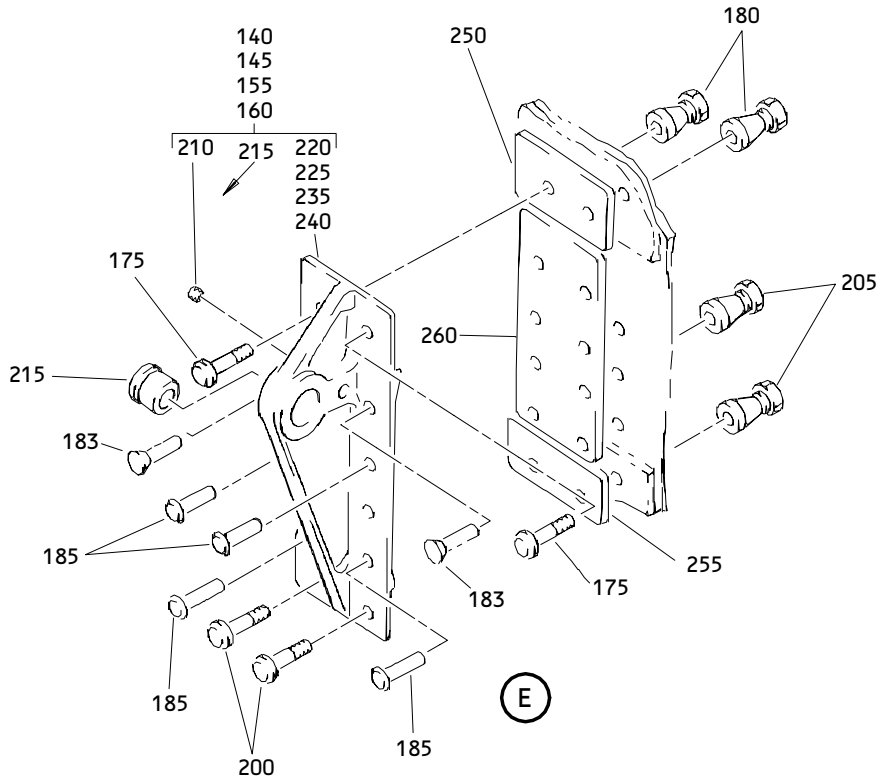
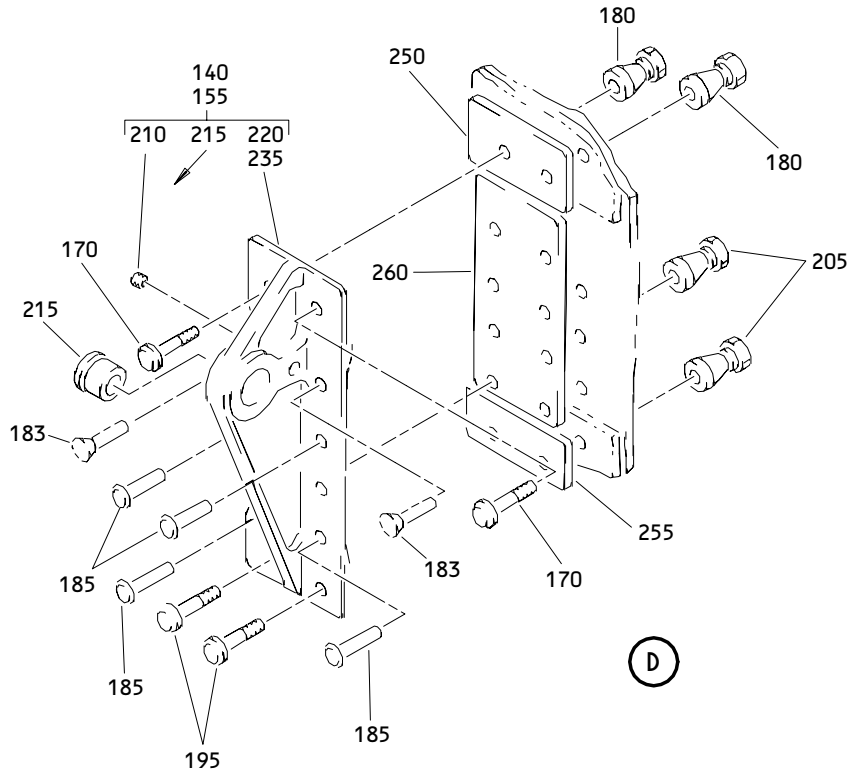
ILLUSTRATED PARTS LIST
01.1 Page 1042R
Jul 01/04



Engine Outboard and Inboard Side Fan Duct Reverser
 JT9D-7R4 Engine Torque Left Side Box Installation
 Figure 4 (Sheet 2)

71-11-33

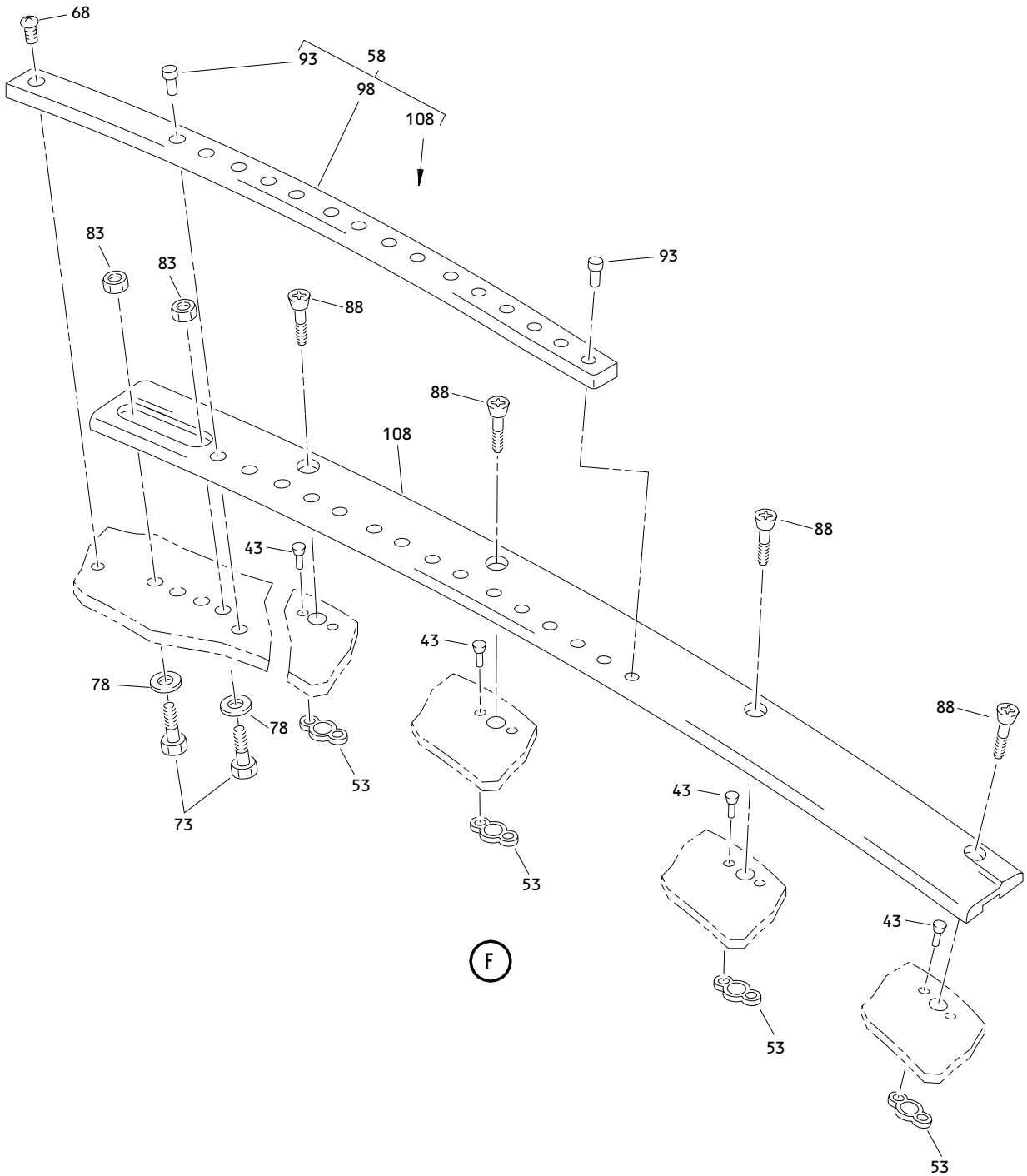
ILLUSTRATED PARTS LIST
 01.1 Page 1042S
 Jul 01/04



Engine Outboard and Inboard Side Fan Duct Reverser
 JT9D-7R4 Engine Torque Left Side Box Installation
 Figure 4 (Sheet 3)

71-11-33

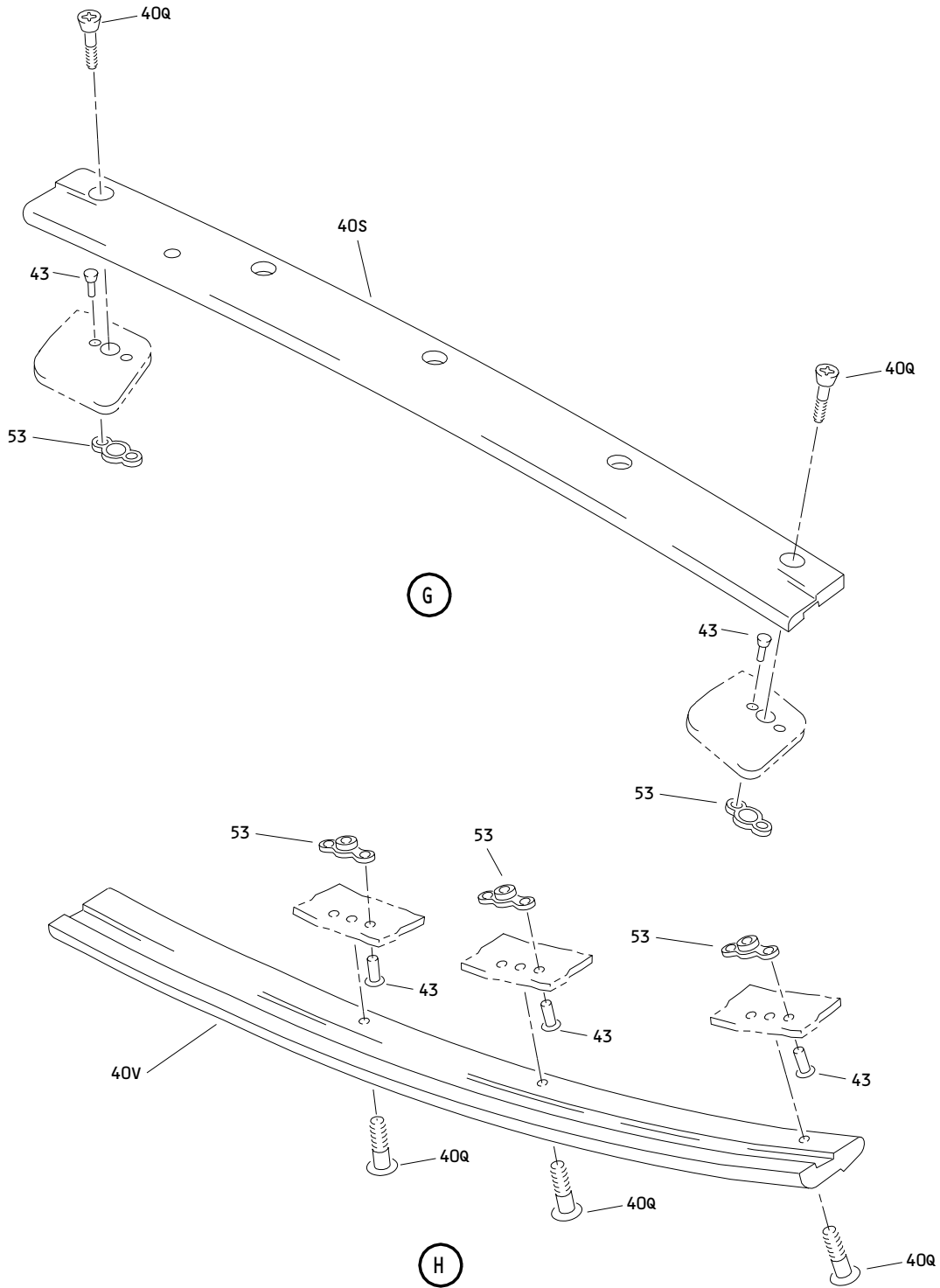
ILLUSTRATED PARTS LIST
 01.1 Page 1042T
 Jul 01/04



Engine Outboard and Inboard Side Fan Duct Reverser
 JT9D-7R4 Engine Torque Left Side Box Installation
 Figure 4 (Sheet 4)

71-11-33

ILLUSTRATED PARTS LIST
 01.1 Page 1042U
 Jul 01/04



Engine Outboard and Inboard Side Fan Duct Reverser
 JT90-7R4 Engine Torque Left Side Box Installation
 Figure 4 (Sheet 5)

71-11-33

ILLUSTRATED PARTS LIST
 01.1 Page 1042V
 Jul 01/04


BOEING
 COMPONENT
 MAINTENANCE MANUAL

FIG. & ITEM	PART NO.	AIRLINE PART NUMBER	NOMENCLATURE 1234567	EFF CODE	QTY PER ASSY
04- -1	315T3202-115		BOX INSTL-ENG OUTBD AND INBD SIDE FAN DUCT REVERSER JT9D-7R4 ENG TORQUE LH	B,C,G ,K,S, U,W,X ,AA,A B,AE AF,AN ,AQ	RF
-1A	315T3202-255		BOX INSTL-ENG OUTBD AND INBD SIDE FAN DUCT REVERSER JT9D-7R4 ENG TORQUE (LH)	AS,AU ,AW,A Y,BA, BC,BE ,BG	RF
-5	315T3202-116		BOX INSTL-ENG OUTBD AND INBD SIDE FAN DUCT REVERSER JT9D-7R4 ENG TORQUE RH	F,L,P ,Q,T, V,Y,Z ,AC,A D,AG AH,AP ,AR	RF
-5A	315T3202-256		BOX INSTL-ENG OUTBD AND INBD SIDE FAN DUCT REVERSER JT9D-7R4 ENG TORQUE (RH)	AT,AV ,AX,A Z,BB, BD,BF ,BH	RF
-10	315T3202-5027		.COLLECTOR ASSY-LIMITED PART (LIMITED)	B,C,G ,K,S, U,W,X ,AA,A B,AE AF,AN ,AQ	1
-10A	315T3202-5029		.COLLECTOR ASSY-LIMITED PART (LIMITED)	B,C,G ,K,S, U,W,X ,AA,A B,AE AF,AN ,AQ	1
-10B	315T3202-5035		.COLLECTOR ASSY-LIMITED PART (LIMITED)	B,C,G ,K,S, U,W,X ,AA,A B,AE AF,AN ,AQ	1

71-11-33

ILLUSTRATED PARTS LIST

01.1 Page 1042W

Jul 01/04

FIG. & ITEM	PART NO.	AIRLINE PART NUMBER	NOMENCLATURE 1234567	EFF CODE	QTY PER ASSY
04- -10C	315T3202-5051		.COLLECTOR ASSY-LIMITED PART (LIMITED)	B,C,G ,K,S, U,W,X ,AA,A B,AE AF,AN ,AQ	1
-10D	315T3202-5053		.COLLECTOR ASSY-LIMITED PART (LIMITED)	B,C,G ,K,S, U,W,X ,AA,A B,AE AF,AN ,AQ	1
-10E	315T3202-5071		.COLLECTOR ASSY-LIMITED PART (LIMITED)	B,C,G ,K,S, U,W,X ,AA,A B,AE AF,AN ,AQ	1
-10F	315T3202-5073		.COLLECTOR ASSY-LIMITED PART (LIMITED)	B,C,G ,K,S, U,W,X ,AA,A B,AE AF,AN ,AQ	1
-10G -15	315T3202-5083 315T3202-5028		DELETED .COLLECTOR ASSY-LIMITED PART (LIMITED)	F,L,P ,Q,T, V,Y,Z ,AC,A D,AG AH,AP ,AR	1
-15A	315T3202-5030		.COLLECTOR ASSY-LIMITED PART (LIMITED)	F,L,P ,Q,T, V,Y,Z ,AC,A D,AG AH,AP ,AR	1

71-11-33

 ILLUSTRATED PARTS LIST
 01.1 Page 1042X
 Jul 01/04

 **BOEING**
 COMPONENT
 MAINTENANCE MANUAL

FIG. & ITEM	PART NO.	AIRLINE PART NUMBER	NOMENCLATURE 1234567	EFF CODE	QTY PER ASSY
04- -15B	315T3202-5036		.COLLECTOR ASSY-LIMITED PART (LIMITED)	F,L,P ,Q,T V,Y,Z ,AC,A D,AG AH,AP ,AR	1
-15C	315T3202-5044		.COLLECTOR ASSY-LIMITED PART (LIMITED)	F,L,P ,Q,T V,Y,Z ,AC,A D,AG AH,AP ,AR	1
-15D	315T3202-5052		.COLLECTOR ASSY-LIMITED PART (LIMITED)	F,L,P ,Q,T V,Y,Z ,AC,A D,AG AH,AP ,AR	1
-15E	315T3202-5054		.COLLECTOR ASSY-LIMITED PART (LIMITED)	F,L,P ,Q,T V,Y,Z ,AC,A D,AG AH,AP ,AR	1
-15F	315T3202-5072		.COLLECTOR ASSY-LIMITED PART (LIMITED)	F,L,P ,Q,T V,Y,Z ,AC,A D,AG AH,AP ,AR	1
-15G	315T3202-5074		.COLLECTOR ASSY-LIMITED PART (LIMITED)	F,L,P ,Q,T V,Y,Z ,AC,A D,AG AH,AP ,AR	1
-15H	315T3202-5084		DELETED		

71-11-33

ILLUSTRATED PARTS LIST
 01.1 Page 1042Y
 Jul 01/04

FIG. & ITEM	PART NO.	AIRLINE PART NUMBER	NOMENCLATURE 1234567	EFF CODE	QTY PER ASSY
04-20	315T3633-139		..BRACKET ASSY- (USED ON ITEM 10)	B,C,G ,K,S, U,W,X ,AA,A B,AE AF,AN ,AQ	1
-20A	315T3633-149		..BRACKET ASSY- (USED ON ITEMS 10A, 10B, 10C, 10D, 10F)	B,C,G ,K,S, U,W,X ,AA,A B,AE AF,AN ,AQ	1
-25	315T3633-138		..BRACKET ASSY- (USED ON ITEM 15)	F,L,P ,Q,T, V,Y,Z ,AC,A D,AG AH,AP ,AR	1
-25A	315T3633-150		..BRACKET ASSY- (USED ON ITEMS 15A, 15B, 15C, 15D, 15E, 15G)	F,L,P ,Q,T, V,Y,Z ,AC,A D,AG AH,AP ,AR	1
30	BACR15BB3AD		...RIVET- (SIZE DETERMINE ON INST)	B,C,F ,G,K, L,P,Q ,S-AH AN-AR	4

71-11-33

 ILLUSTRATED PARTS LIST
 01.1 Page 1042Z
 Jul 01/04

BOEING
 COMPONENT
 MAINTENANCE MANUAL

FIG. & ITEM	PART NO.	AIRLINE PART NUMBER	NOMENCLATURE 1234567	EFF CODE	QTY PER ASSY
04-35	BRF100C4M		...NUTPLATE- (V52828) (SPEC BACN10KB4CFM) (OPT F2001-4 (V15653)) (OPT T8113C428C (V11815)) (OPT VN151D1-048 (V92215)) (OPT 109F9207-4 (V72962)) (OPT F2001-4 (V15653))	B,C,F ,G,K, L,P,Q ,S-AH AN-AR	2
35L	HL10VAZ6-4		..BOLT- (V60516) (SPEC BACB30MY6K4) (OPT B30MY6K4 (V97928)) (USED ON ITEMS 10, 10A, 15, 15A)	B,C,F ,G,K, L,P,Q ,S-AH AN-AR	3
35P	HL79-6		..COLLAR- (V5M902) (SPEC BACC30M6) (OPT HL79-6 (V73197)) (OPT HL79-6 (V92215)) (OPT 66014-6 (V56878)) (OPT HL79-6 (V56878)) (USED ON ITEMS 10, 10A, 15, 15A)	B,C,F ,G,K, L,P,Q ,S-AH AN-AR	3
35S	315T3202-114		..ANGLE- (USED ON ITEM 10, 10A, 15, 15A)	B,C,F ,G,K, L,P,Q ,S-AH AN-AR	1

71-11-33

ILLUSTRATED PARTS LIST
 01.1 Page 1043
 Jul 01/04

FIG. & ITEM	PART NO.	AIRLINE PART NUMBER	NOMENCLATURE 1234567	EFF CODE	QTY PER ASSY
04-36	315T3245-1		..RETAINER ASSY- (USED ON ITEMS 10, 10A, 15, 15A)	B,C,F ,G,K, L,P,Q ,S-AH AN-AR	1
37	BACR15BA5AD		ATTACHING PARTS ..RIVET- (SIZE DETERMINE ON INST)	B,C,F ,G,K, L,P,Q ,S-AH AN-AR	4
38	MS21209F8-10		-----*----- ...INSERT	B,C,F ,G,K, L,P,Q ,S-AH AN-AR	1
38G	315T3245-2		...RETAINER	B,C,F ,G,K, L,P,Q ,S-AH AN-AR	1

71-11-33

 ILLUSTRATED PARTS LIST
 01.1 Page 1044
 Jul 01/04


BOEING
 COMPONENT
 MAINTENANCE MANUAL

FIG. & ITEM	PART NO.	AIRLINE PART NUMBER	NOMENCLATURE 1234567	EFF CODE	QTY PER ASSY
04-38M	HL10VAZ6-4		..BOLT- (V60516) (SPEC BACB30MY6K4) (OPT B30MY6K4 (V97928)) (USED ON ITEMS 10B, 10C, 10D, 10E, 10F, 15B, 15C, 15D, 15E, 15F, 15G)	B,C,F ,G,K, L,P,Q ,S-AH AN-AR	5
38Q	HL10VAZ6-4		..BOLT- (V60516) (SPEC BACB30MY6K4) (OPT B30MY6K4 (V97928)) (USED ON ITEMS 10B, 10C, 10D, 10E, 10F)	B,C,G ,K,S, U,W,X ,AA,A B,AE AF,AN ,AQ	1
-38S	HL10VAZ6-5		..BOLT- (V60516) (SPEC BACB30MY6K5) (OPT B30MY6K5 (V97928)) (USED ON ITEMS 15B, 15C, 15D, 15E, 15F, 15G)	F,L,P ,Q,T, V,Y,Z ,AC,A D,AG AH,AP ,AR	1
38V	HL79-6		..COLLAR- (V5M902) (SPEC BACC30M6) (OPT HL79-6 (V73197)) (OPT HL79-6 (V92215)) (OPT 66014-6 (V56878)) (OPT HL79-6 (V56878)) (USED ON ITEMS 10B, 10C, 10D, 10E, 10F, 15B, 15C, 15D, 15E, 15F, 15G)	B,C,F ,G,K, L,P,Q ,S-AH AN-AR	6
39	BACR15BA3AD		..RIVET- (SIZE DETERMINE ON INST) (USED ON ITEMS 10B, 10C, 10D, 10E, 10F, 15B, 15C, 15D, 15E, 15F, 15G)	B,C,F ,G,K, L,P,Q ,S-AH AN-AR	8
-40	315T3202-7001		DELETED		

71-11-33

ILLUSTRATED PARTS LIST

01.1 Page 1044A

Jul 01/04

FIG. & ITEM	PART NO.	AIRLINE PART NUMBER	NOMENCLATURE 1234567	EFF CODE	QTY PER ASSY
04-40A	BRF100C3D		..NUTPLATE- (V52828) (SPEC BACN10KB3CFD) (OPT F51604-3 (V15653)) (OPT 102F9207P3 (V72962)) (OPT F51604-3 (V15653)) (USED ON ITEMS 10B, 10C) 10D, 10E, 10F, 15B, 15C, 15D, 15E, 15F, 15G)	B,C,F ,G,K, L,P,Q ,S-AH AN-AR	4
40M	315T3202-156		..BRACKET- (USED ON ITEMS 10B, 10C, 10D, 10E, 10F, 15B, 15C, 15D, 15E, 15F, 15G)	B,C,F ,G,K, L,P,Q ,S-AH AN-AR	2
40Q	BACB30LR3-6		.BOLT	B,C,F ,G,K, L,P,Q ,S-AH AN-AR	28
40S	315T3201-7		.STRIP-RUB	B,C,F ,G,K, L,P,Q ,S-AH AN-AR	5
-40T 40V	315T3201-32 315T3201-10		DELETED .STRIP-RUB	B,C,G ,K,S, U,W,X ,AA,A B,AE AF,AN ,AQ	1
-40W -41	315T3201-33 315T3201-20		DELETED ..STRIP-RUB (USED ON ITEMS 15, 15A)	F,L,P ,Q,T, V,Y,Z ,AC,A D,AG AH,AP ,AR	1

71-11-33

BOEING
 COMPONENT
 MAINTENANCE MANUAL

FIG. & ITEM	PART NO.	AIRLINE PART NUMBER	NOMENCLATURE	EFF CODE	QTY PER ASSY
			1234567		
04- -41A	315T3201-27		..STRIP-RUB (USED ON ITEMS 15B, 15C, 15D, 15E, 15F, 15G)	F,L,P ,Q,T, ,V,Y,Z ,AC,A D,AG AH,AP ,AR	1
43	BACR15BB3AD		.RIVET- (SIZE DETERMINE ON INST)	B,C,F ,G,K, L,P,Q ,S-AH AN-AR	64
-45	315T3202-7002		DELETED		
-48	315T3202-7001		DELETED		
-49	315T3202-7002		DELETED		
50	BACB30LJ3K5		DELETED		
-50A	NAS6703A5		DELETED		
53	F5000-3BAC		.NUTPLATE- (V15653) (SPEC BACN10JR3F) (OPT NS103203-02 (V80539)) (OPT RMF9201-3 (V72962)) (OPT T8091S1032 (V11815)) (OPT VN152A1-02 (V92215)) (OPT BRF200A3 (V52828))	B,C,F ,G,K, L,P,Q ,S-AH AN-AR	32

71-11-33

ILLUSTRATED PARTS LIST
 01.1 Page 1044C
 Jul 01/04

FIG. & ITEM	PART NO.	AIRLINE PART NUMBER	NOMENCLATURE 1234567	EFF CODE	QTY PER ASSY
04- 55 58	AN960PD10 315T3201-28		DELETED .STRIP ASSY-RUB	B,C,G ,K,S, U,W,X ,AA,A B,AE AF,AN ,AQ	1
-58A 60 -63	315T3201-35 H10-3BAC 315T3201-29		DELETED DELETED .STRIP ASSY-RUB	F,L,P ,Q,T, V,Y,Z ,AC,A D,AG AH,AP ,AR	1
-63A 65 68	315T3201-36 HL10VAZ6-5 BACB30NN3K5		DELETED DELETED ATTACHING PARTS .BOLT- (OPT ITEM 68A)	B,C,F ,G,K, L,P,Q ,S-AH AN-AR	1
-68A	BACB30LH3-5		.BOLT- (OPT ITEM 68)	B,C,F ,G,K, L,P,Q ,S-AH AN-AR	1
-----*					

71-11-33

 ILLUSTRATED PARTS LIST
 01.1 Page 1044D
 Jul 01/04

BOEING
 COMPONENT
 MAINTENANCE MANUAL

FIG. & ITEM	PART NO.	AIRLINE PART NUMBER	NOMENCLATURE 1234567	EFF CODE	QTY PER ASSY
04-70	HL79-6		DELETED ATTACHING PARTS		
73	315T3637-1		.BOLT-SPECIAL -----*-----	B,C,F ,G,K, L,P,Q ,S-AH AN-AR	4
75	BACR15FT6KE		DELETED ATTACHING PARTS		
78	AN960C10L		.WASHER -----*-----	B,C,F ,G,K, L,P,Q ,S-AH AN-AR	4
80	BACF3F009D009NN		DELETED ATTACHING PARTS		
83	H10-3BAC		.NUT- (V15653) (SPEC BACN10JC3) (OPT NS202101-02 (V80539)) (OPT RMLH9075-3W (V72962)) (OPT T6S1032J (V71087)) (OPT VN303A02 (V92215)) (OPT 96-02 (V80539)) (OPT BRH10A3 (V52828)) -----*-----	B,C,F ,G,K, L,P,Q ,S-AH AN-AR	4
85	BACF3F009L046NN		DELETED ATTACHING PARTS		
88	BACB30LR3-6		.BOLT -----*-----	B,C,F ,G,K, L,P,Q ,S-AH AN-AR	4

71-11-33

ILLUSTRATED PARTS LIST
 01.1 Page 1044E
 Jul 01/04

FIG. & ITEM	PART NO.	AIRLINE PART NUMBER	NOMENCLATURE 1234567	EFF CODE	QTY PER ASSY
04-90 93	HL10VAZ6-4 BACR15BA5A		DELETED ..RIVET- (SIZE DETERMINE ON INST)	B,C,F ,G,K, L,P,Q ,S-AH AN-AR	15
95 98	HL10VAZ6-5 315T3201-30		DELETED ..STRIP	B,C,G ,K,S, U,W,X ,AA,A B,AE AF,AN ,AQ	1
-98A 100 -103	315T3201-39 HL10V6-6 315T3201-31		DELETED DELETED ..STRIP	F,L,P ,Q,T, V,Y,Z ,AC,A D,AG AH,AP ,AR	1
-103A 105 108	315T3201-40 HL79-6 315T3201-25		DELETED DELETED ..STRIP-RUB	B,C,G ,K,S, U,W,X ,AA,A B,AE AF,AN ,AQ	1
-108A 110 -113	315T3201-37 HL10VAZ8-6 315T3201-26		DELETED DELETED ..STRIP-RUB	F,L,P ,Q,T, V,Y,Z ,AC,A D,AG AH,AP ,AR	1

71-11-33

 ILLUSTRATED PARTS LIST
 01.1 Page 1044F
 Jul 01/04


BOEING
 COMPONENT
 MAINTENANCE MANUAL

FIG. & ITEM	PART NO.	AIRLINE PART NUMBER	NOMENCLATURE 1234567	EFF CODE	QTY PER ASSY
04-					
-113A	315T3201-38		DELETED		
115	HL10VAZ8-7		DELETED		
120	HL79-8		DELETED		
125	BACB30NR4K7		DELETED		
130	AN960PD416L		DELETED		
135	H10-4BAC		DELETED		
140	315T3634-2		..FITTING ASSY-ACTR ATTACH (USED ON ITEMS 10, 10A, 10B, 10C, 15, 15A, 15B, 15C, 15D)	B,C,F ,G,K, L,P,Q ,S-AH AN-AR	2
-140A	315T3634-16		..FITTING ASSY-ACTR ATTACH (USED ON ITEMS 10D, 10E, 10F, 15E, 15F, 15G)	B,C,F ,G,K, L,P,Q ,S-AH AN-AR	2
145	315T3634-10		..FITTING ASSY-ACTR ATTACH (USED ON ITEMS 10, 10A, 10B, 10C)	B,C,G ,K,S, U,W,X ,AA,A B,AE AF,AN ,AQ	1
-145A	315T3634-18		..FITTING ASSY-ACTR ATTACH (USED ON ITEMS 10D, 10E, 10F)	B,C,G ,K,S, U,W,X ,AA,A B,AE AF,AN ,AQ	1

71-11-33

ILLUSTRATED PARTS LIST

01.1 Page 1044G

Jul 01/04

FIG. & ITEM	PART NO.	AIRLINE PART NUMBER	NOMENCLATURE 1234567	EFF CODE	QTY PER ASSY
04- -150	315T3634-2		..FITTING ASSY-ACTR ATTACH (USED ON ITEMS 15, 15A, 15B, 15C, 15D)	F,L,P ,Q,T, ,V,Y,Z ,AC,A D,AG AH,AP ,AR	1
-150A	315T3634-16		..FITTING ASSY-ACTR ATTACH (USED ON ITEMS 15E, 15F, 15G)	F,L,P ,Q,T, ,V,Y,Z ,AC,A D,AG AH,AP ,AR	1
155	315T3634-1		..FITTING ASSY-ACTR ATTACH (USED ON ITEMS 10, 10A, 10B, 10C, 15, 15A, 15B, 15C, 15D)	B,C,F ,G,K, L,P,Q ,S-AH AN-AR	2
-155A	315T3634-15		..FITTING ASSY-ACTR ATTACH (USED ON ITEMS 10D, 10E, 10F, 15E, 15F, 15G)	B,C,F ,G,K, L,P,Q ,S-AH AN-AR	2
160	315T3634-1		..FITTING ASSY-ACTR ATTACH (USED ON ITEMS 10, 10A, 10B, 10C)	B,C,G ,K,S, U,W,X ,AA,A B,AE AF,AN ,AQ	1
-160A	315T3634-15		..FITTING ASSY-ACTR ATTACH (USED ON ITEMS 10D, 10E, 10F)	B,C,G ,K,S, U,W,X ,AA,A B,AE AF,AN ,AQ	1

71-11-33

 ILLUSTRATED PARTS LIST
 01.1 Page 1044H
 Jul 01/04


BOEING
 COMPONENT
 MAINTENANCE MANUAL

FIG. & ITEM	PART NO.	AIRLINE PART NUMBER	NOMENCLATURE 1234567	EFF CODE	QTY PER ASSY
04- -165	315T3634-11		..FITTING ASSY-ACTR ATTACH (USED ON ITEMS 15, 15A, 15B, 15C, 15D)	F,L,P ,Q,T, V,Y,Z ,AC,A D,AG AH,AP ,AR	1
-165A	315T3634-17		..FITTING ASSY-ACTR ATTACH (USED ON ITEMS 15E, 15F, 15G)	F,L,P ,Q,T, V,Y,Z ,AC,A D,AG AH,AP ,AR	1
170	HL10VAZ8-11		ATTACHING PARTS ..BOLT- (V60516) (SPEC BACB30MY8K11) (OPT B30MY8K11 (V97928))	B,C,F ,G,K, L,P,Q ,S-AH AN-AR	4
175	HL10VAZ8-10		..BOLT- (V60516) (SPEC BACB30MY8K10) (OPT B30MY8K10 (V97928))	B,C,F ,G,K, L,P,Q ,S-AH AN-AR	8
180	HL79-8		..COLLAR- (V5M902) (SPEC BACC30M8) (OPT HL79-8 (V73197)) (OPT HL79-8 (V92215)) (OPT 66014-8 (V56878)) (OPT HL79-8 (V56878))	B,C,F ,G,K, L,P,Q ,S-AH AN-AR	12

71-11-33

ILLUSTRATED PARTS LIST

01.1 Page 1044I

Jul 01/04

FIG. & ITEM	PART NO.	AIRLINE PART NUMBER	NOMENCLATURE 1234567	EFF CODE	QTY PER ASSY
04-183	BACR15CE6KE		..RIVET- (SIZE DETERMINE ON INST)	B,C,F ,G,K, L,P,Q ,S-AH AN-AR	12
185	BACR15FT6KE		..RIVET- (SIZE DETERMINE ON INST)	B,C,F ,G,K, L,P,Q ,S-AH AN-AR	36
195	HL10VAZ6-9		..BOLT- (V60516) (SPEC BACB30MY6K9) (OPT B30MY6K9 (V97928))	B,C,F ,G,K, L,P,Q ,S-AH AN-AR	4
200	HL10VAZ6-8		..BOLT- (V60516) (SPEC BACB30MY6K8) (OPT B30MY6K8 (V97928))	B,C,F ,G,K, L,P,Q ,S-AH AN-AR	8
205	HL79-6		..COLLAR- (V5M902) (SPEC BACC30M6) (OPT HL79-6 (V73197)) (OPT HL79-6 (V92215)) (OPT 66014-6 (V56878)) (OPT HL79-6 (V56878)) -----*	B,C,F ,G,K, L,P,Q ,S-AH AN-AR	12
210	MS21209F4-10P		...INSERT	B,C,F ,G,K, L,P,Q ,S-AH AN-AR	1
215	BACB28AP07P038		...BUSHING	B,C,F ,G,K, L,P,Q ,S-AH AN-AR	1

71-11-33

ILLUSTRATED PARTS LIST

01.1 Page 1044J

Jul 01/04

BOEING
 COMPONENT
 MAINTENANCE MANUAL

FIG. & ITEM	PART NO.	AIRLINE PART NUMBER	NOMENCLATURE 1234567	EFF CODE	QTY PER ASSY
04-220	315T3634-4		...FITTING- (USED ON ITEM 140)	B,C,F ,G,K, L,P,Q ,S-AH AN-AR	1
-220A	315T3634-20		...FITTING- (USED ON ITEM 140A)	B,C,F ,G,K, L,P,Q ,S-AH AN-AR	1
225	315T3634-12		...FITTING- (USED ON ITEM 145)	B,C,G ,K,S, U,W,X ,AA,A B,AE AF,AN ,AQ	1
-225A	315T3634-22		...FITTING- (USED ON ITEM 145A)	B,C,G ,K,S, U,W,X ,AA,A B,AE AF,AN ,AQ	1
-230	315T3634-4		...FITTING- (USED ON ITEM 150)	F,L,P ,Q,T, V,Y,Z ,AC,A D,AG AH,AP ,AR	1
-230A	315T3634-20		...FITTING- (USED ON ITEM 150A)	F,L,P ,Q,T, V,Y,Z ,AC,A D,AG AH,AP ,AR	1

71-11-33

ILLUSTRATED PARTS LIST
 01.1 Page 1044K
 Jul 01/04

FIG. & ITEM	PART NO.	AIRLINE PART NUMBER	NOMENCLATURE 1234567	EFF CODE	QTY PER ASSY
04-235	315T3634-3		...FITTING- (USED ON ITEM 155)	B,C,F ,G,K, L,P,Q ,S-AH AN-AR	1
-235A	315T3634-19		...FITTING- (USED ON ITEM 155A)	B,C,F ,G,K, L,P,Q ,S-AH AN-AR	1
240	315T3634-3		...FITTING- (USED ON ITEM 160)	B,C,G ,K,S, U,W,X ,AA,A B,AE AF,AN ,AQ	1
-240A	315T3634-19		...FITTING- (USED ON ITEM 160A)	B,C,G ,K,S, U,W,X ,AA,A B,AE AF,AN ,AQ	1
-245	315T3634-13		...FITTING- (USED ON ITEM 165)	F,L,P ,Q,T, V,Y,Z ,AC,A D,AG AH,AP ,AR	1
-245A	315T3634-21		...FITTING- (USED ON ITEM 165A)	F,L,P ,Q,T, V,Y,Z ,AC,A D,AG AH,AP ,AR	1

71-11-33

 ILLUSTRATED PARTS LIST
 01.1 Page 1044L
 Jul 01/04


BOEING
 COMPONENT
 MAINTENANCE MANUAL

FIG. & ITEM	PART NO.	AIRLINE PART NUMBER	NOMENCLATURE 1234567	EFF CODE	QTY PER ASSY
04-250	BACS40R11B22F		..SHIM	B,C,F ,G,K, L,P,Q ,S-AH AN-AR	6
255	BACS40R09B21F		..SHIM	B,C,F ,G,K, L,P,Q ,S-AH AN-AR	6
260	BACS40R17B33F		..SHIM	B,C,F ,G,K, L,P,Q ,S-AH AN-AR	6
265 -268	315T3730-7 315T3202-7001		DELETED .COLLECTOR ASSY-COMMON POINT (FOR DETAILS SEE FIG. 11)	B,C,G ,K,S, U,W,X ,AA,A B,AE AF,AN ,AQ	1
-268A	315T3202-7011		.COLLECTOR ASSY-COMMON POINT (FOR DETAILS SEE FIG. 11)	AS,AU ,AW,A Y,BA, BC,BE ,BG	1
-270	315T3730-2		DELETED		

71-11-33

 ILLUSTRATED PARTS LIST
 01.1 Page 1044M
 Jul 01/04

FIG. & ITEM	PART NO.	AIRLINE PART NUMBER	NOMENCLATURE 1234567	EFF CODE	QTY PER ASSY
04- -272	315T3202-7002		.COLLECTOR ASSY-COMMON POINT (FOR DETAILS SEE FIG. 11)	F,L,P ,Q,T, V,Y,Z ,AC,A D,AG AH,AP ,AR	1
-272A	315T3202-7012		.COLLECTOR ASSY-COMMON POINT (FOR DETAILS SEE FIG. 11)	AT,AV ,AX,A Z,BB, BD,BF ,BH	1
			ATTACHING PARTS		
275	HL12VAZ6-6		DELETED		
280	HL12VAZ6-8		DELETED		
285	HL1187DU6		DELETED		
-285A	HL1187-6		DELETED		
290	BACR15BB5AD		DELETED		
295	BACR15BA5KE		DELETED		
300	BACR15BB5AD		DELETED		
305	HL440UC5-4		DELETED		
310	315T3633-112		DELETED		
315	BACB28AP04P022		DELETED		
320	BACB28AP06P022		DELETED		
325	HL12VAZ6-6		DELETED		
330	NAS43DD3-8		DELETED		
335	BACW10P69S		DELETED		
340	HL1187DUW6		DELETED		
345	315T3730-3		DELETED		
-350	315T3730-4		DELETED		
355	315T3733-113		DELETED		
355A	315T3633-113		DELETED		
-360	315T3733-114		DELETED		
-360A	315T3633-114		DELETED		
365	HL10VAZ6-12		DELETED		
370	HL79-6		DELETED		
375	HL12VAZ6-12		DELETED		
380	HL1187DU6		DELETED		
-380A	HL1187-6		DELETED		
385	BACR15FT6KE		DELETED		
390	315T3202-43		DELETED		
395	315T3202-44		DELETED		
400	BACR15CE5KE		DELETED		
405	BACR15BB5AD		DELETED		
410	BACR15BB6AD		DELETED		

71-11-33

ILLUSTRATED PARTS LIST

01.1 Page 1044N

Jul 01/04


BOEING
 COMPONENT
 MAINTENANCE MANUAL

FIG. & ITEM	PART NO.	AIRLINE PART NUMBER	NOMENCLATURE 1234567	EFF CODE	QTY PER ASSY
04-					
415	315T3633-98		DELETED		
420	BACR15BA3AD		DELETED		
425	BRF200C3M		DELETED		
430	315T3633-99		DELETED		
435	315T3245-1		DELETED		
440	BACR15BA5AD		DELETED		
445	MS21209F8-10		DELETED		
450	315T3245-2		DELETED		
455	315T3206-19		DELETED		
-455A	315T3206-29		DELETED		
-460	315T3206-30		DELETED		
465	BACR15CE3D		DELETED		
470	NS103191SE02-2		DELETED		
475	315T3206-21		DELETED		
-475A	315T3206-27		DELETED		
-480	315T3206-28		DELETED		
485	315T3704-1		DELETED		
490	NAS1398CW6-5		DELETED		
495	BACR15BA3AD2		DELETED		
500	BR1000A3		DELETED		
505	315T3704-2		DELETED		
510	315T3202-100		DELETED		
515	315T3201-21		DELETED		
515A	315T3201-28		DELETED		
-520	315T3201-22		DELETED		
-520A	315T3201-29		DELETED		
525	BACB30LR3-5		DELETED		
-525A	BACB30LH3-5		DELETED		
530	315T3637-1		DELETED		
535	AN960C10L		DELETED		
540	H10-3BAC		DELETED		
545	BACB30LR3-6		DELETED		
550	BACR15BA5A		DELETED		
555	315T3201-23		DELETED		
555A	315T3201-30		DELETED		
-560	315T3201-24		DELETED		
-560A	315T3201-31		DELETED		
565	315T3201-25		DELETED		
-570	315T3201-26		DELETED		
575	BACB30LR3-6		DELETED		
580	315T3201-7		DELETED		
585	315T3201-10		DELETED		
-590	315T3201-20		DELETED		
595	BACR15BB3AD		DELETED		
600	F5000-3BAC		DELETED		

71-11-33

ILLUSTRATED PARTS LIST

01.1 Page 10440

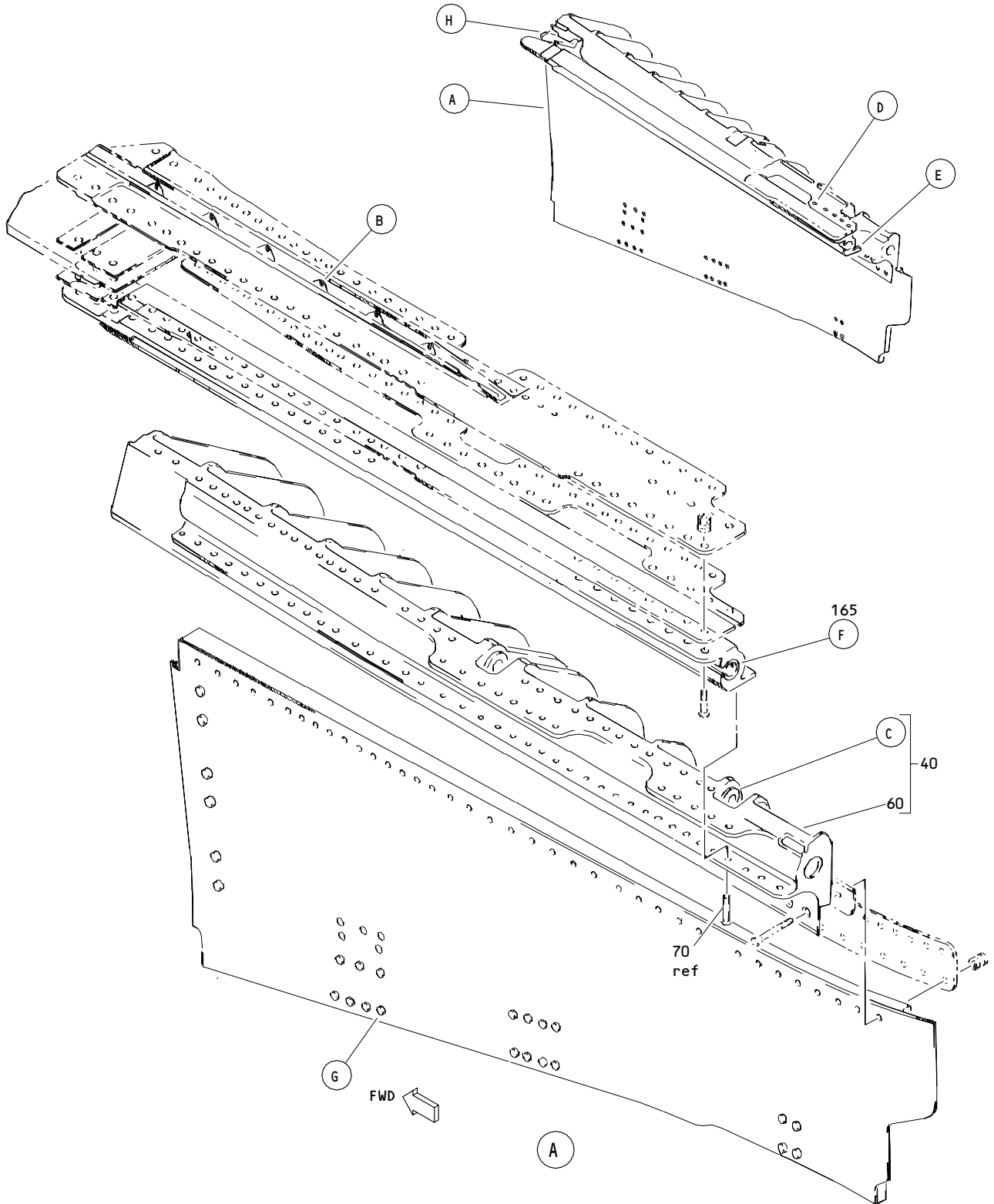
Jul 01/04

FIG. & ITEM	PART NO.	AIRLINE PART NUMBER	NOMENCLATURE	EFF CODE	QTY PER ASSY
			1234567		
04-					
605	BACB30LJ4-3		DELETED		
610	BACR15BB3AD		DELETED		
615	T8125C4C		DELETED		
620	BAC27TTR0025		DELETED		
625	BAC27TTR0036		DELETED		
630	BAC27TTR0042		DELETED		
635	BAC27TPP0209		DELETED		
640	BAC27TPP0210		DELETED		
645	BAC27TPP0211		DELETED		
650	BAC27TPP0217		DELETED		
-655	BAC27TPP0213		DELETED		
-660	BAC27TPP0214		DELETED		
-665	BAC27TPP0215		DELETED		
-670	BAC27TPP0218		DELETED		

- Item Not Illustrated

71-11-33

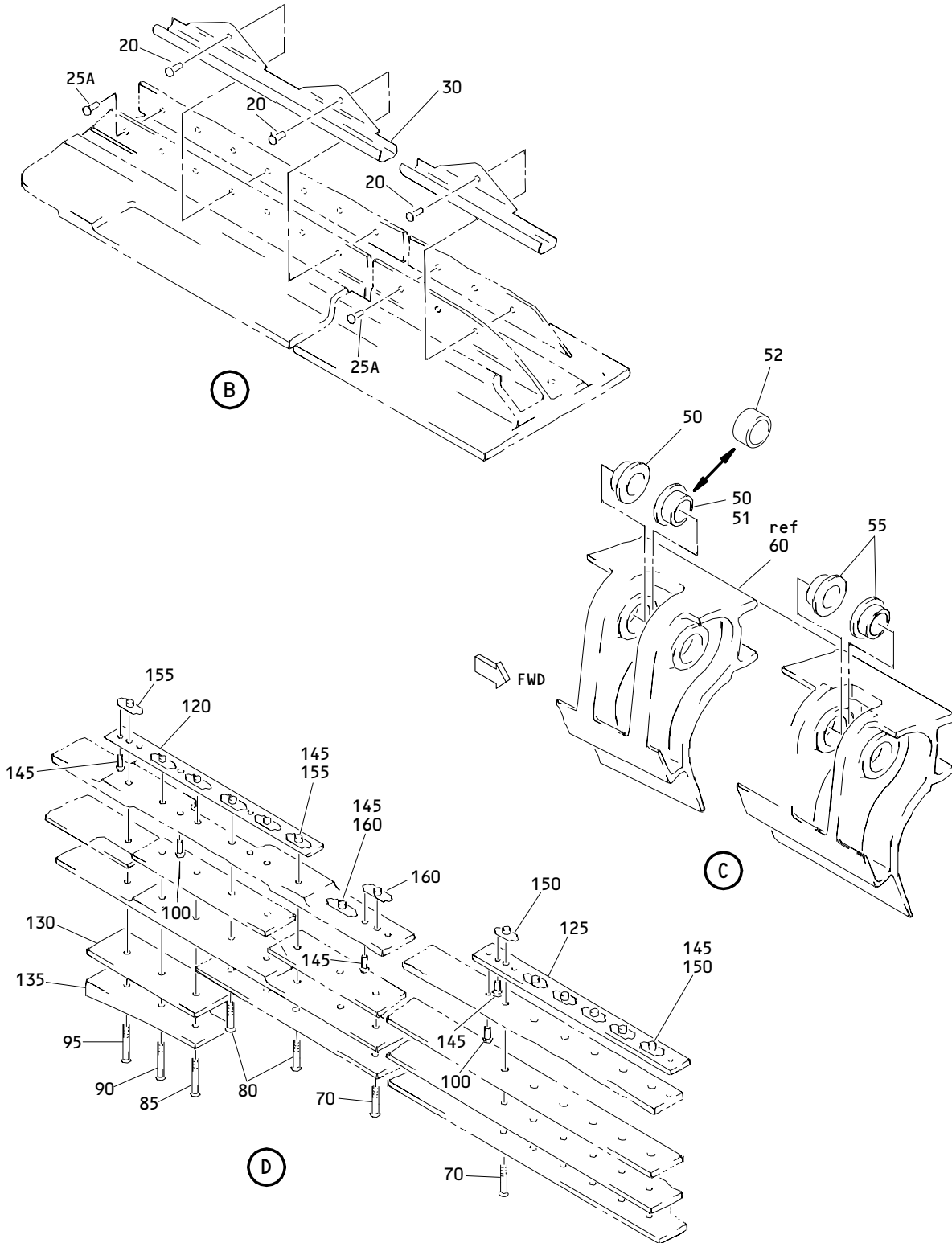
ILLUSTRATED PARTS LIST
 01.1 Page 1044P
 Jul 01/04



Engine Outboard and Inboard Side Fan Duct Upper - Bifurcation Installation
Figure 5 (Sheet 1)

71-11-33

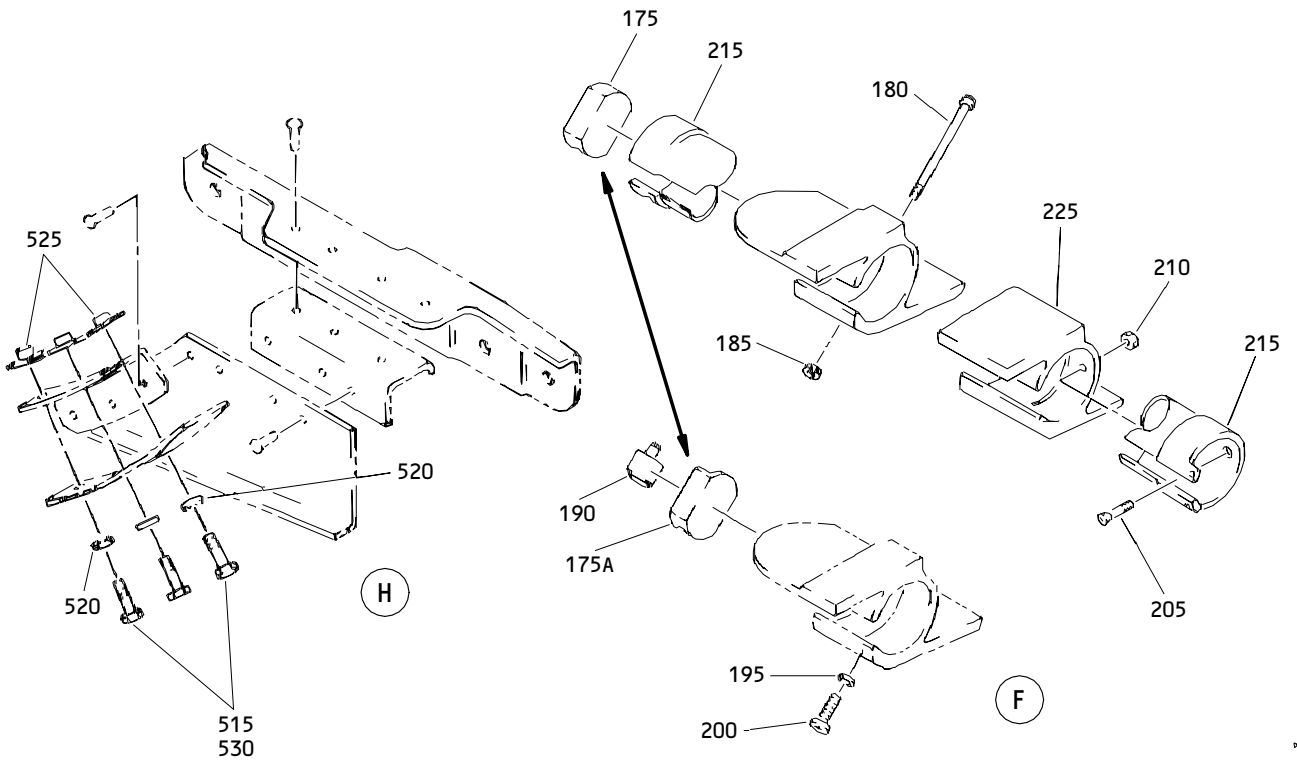
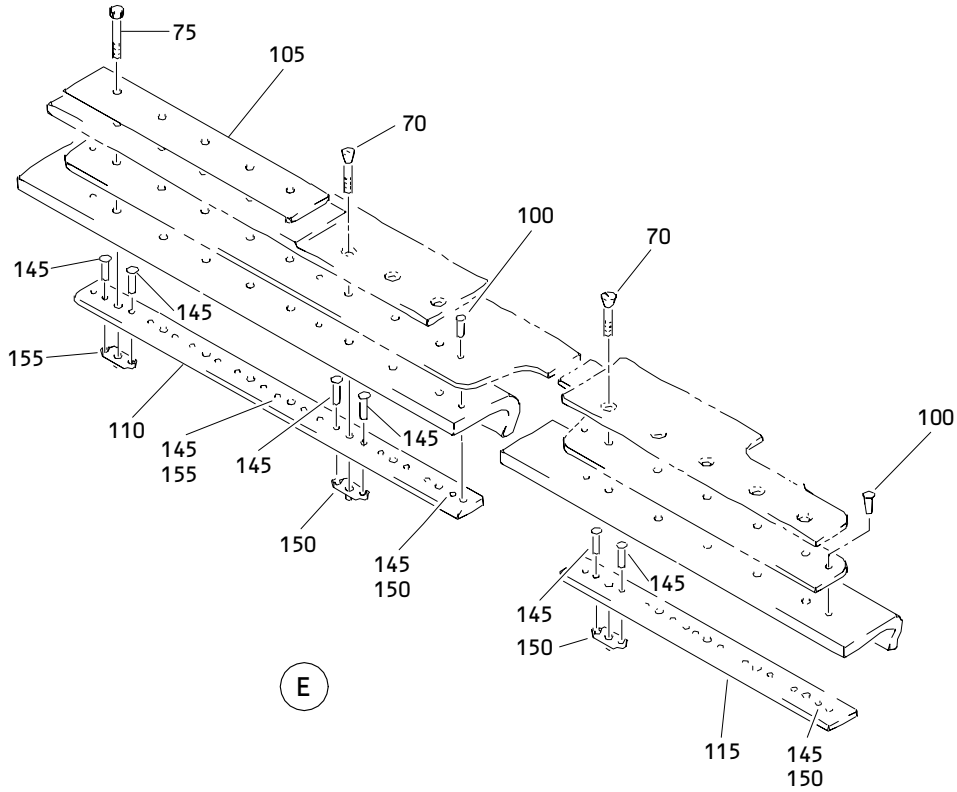
ILLUSTRATED PARTS LIST
01.1 Page 1044Q
Jul 01/04



Engine Outboard and Inboard Side Fan Duct Upper - Bifurcation Installation
 Figure 5 (Sheet 2)

71-11-33

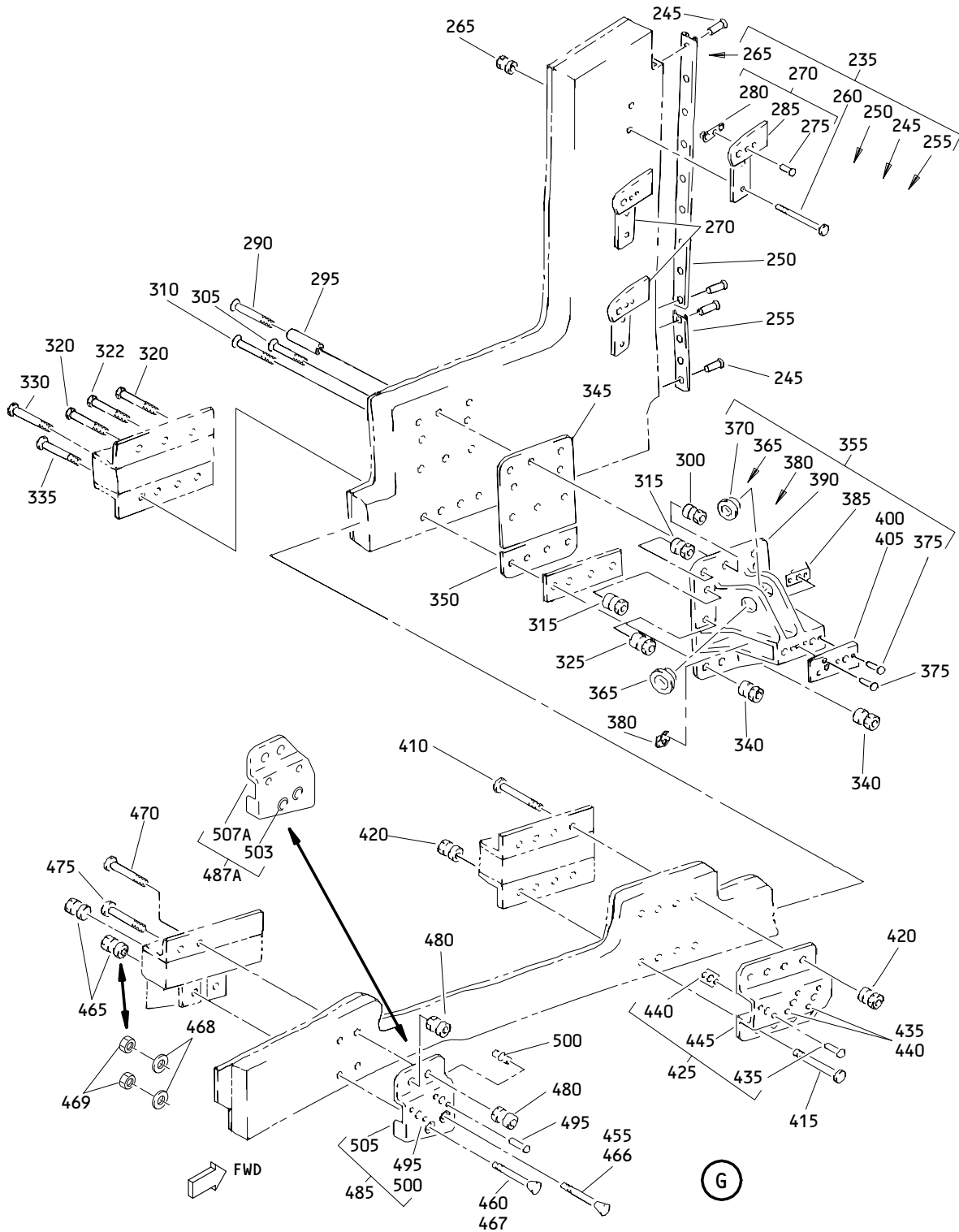
ILLUSTRATED PARTS LIST
 01.1 Page 1044R
 Jul 01/04



Engine Outboard and Inboard Side Fan Duct Upper - Bifurcation Installation
Figure 5 (Sheet 3)

71-11-33

ILLUSTRATED PARTS LIST
01.1 Page 1044S
Jul 01/04



Engine Outboard and Inboard Side Fan Duct Upper - Bifurcation Installation
 Figure 5 (Sheet 4)

71-11-33

ILLUSTRATED PARTS LIST
 01.1 Page 1044T
 Jul 01/04


BOEING
 COMPONENT
 MAINTENANCE MANUAL

FIG. & ITEM	PART NO.	AIRLINE PART NUMBER	NOMENCLATURE 1234567	EFF CODE	QTY PER ASSY
05-					
-1	315T3300-1		DELETED		
-1A	315T3300-23		DELETED		
-5	315T3300-2		DELETED		
-5A	315T3300-24		DELETED		
-10	315T3300-5001		BIFURCATION INSTL-ENG OUTBD AND INBD SIDE FAN DUCT	A,B,D ,J,K, M	RF
-10A	315T3300-5003		BIFURCATION INSTL-ENG OUTBD AND INBD SIDE FAN DUCT	A,B,D ,J,K, M	RF
-10B	315T3300-5005		BIFURCATION INSTL-ENG OUTBD AND INBD SIDE FAN DUCT	A,B,D ,J,K, M	RF
-10C	315T3300-5009		BIFURCATION INSTL-ENG OUTBD AND INBD SIDE FAN DUCT	A,B,D ,J,K, M	RF
-10D	315T3300-5019		BIFURCATION INSTL-ENG OUTBD AND INBD SIDE FAN DUCT	A,B,D ,J,K, M	RF
-10E	315T3300-5021		DELETED		
-10F	315T3300-5023		BIFURCATION INSTL-ENG OUTBD AND INBD SIDE FAN DUCT	A,B,D ,J,K, M	RF
-10G	315T3300-5025		BIFURCATION INSTL-ENG OUTBD AND INBD SIDE FAN DUCT	S,U,A J,AL	RF
-10H	315T3300-5027		DELETED		
-10J	315T3300-25		BIFURCATION INSTL-ENG OUTBD AND INBD SIDE FAN DUCT	W,AA, AS,AU	RF
-10K	315T3300-27		BIFURCATION INSTL-ENG OUTBD AND INBD SIDE FAN DUCT	X,AB, AW,AY	RF
-10L	315T3300-29		BIFURCATION INSTL-ENG OUTBD AND INBD SIDE FAN DUCT	G,AF, AN,AQ ,BE,B G	RF
-10M	315T3300-31		BIFURCATION INSTL-ENG OUTBD AND INBD SIDE FAN DUCT	C,AE, BA,BC	RF

71-11-33

 ILLUSTRATED PARTS LIST
 01.1 Page 1044U
 Jul 01/04

FIG. & ITEM	PART NO.	AIRLINE PART NUMBER	NOMENCLATURE 1234567	EFF CODE	QTY PER ASSY
05- -15	315T3300-5002		BIFURCATION INSTL-ENG OUTBD AND INBD SIDE FAN DUCT	E,F,H ,N,P, R	RF
-15A	315T3300-5004		BIFURCATION INSTL-ENG OUTBD AND INBD SIDE FAN DUCT	E,F,H ,N,P, R	RF
-15B	315T3300-5006		BIFURCATION INSTL-ENG OUTBD AND INBD SIDE FAN DUCT	E,F,H ,N,P, R	RF
-15C	315T3300-5010		BIFURCATION INSTL-ENG OUTBD AND INBD SIDE FAN DUCT	E,F,H ,N,P, R	RF
-15D	315T3300-5020		BIFURCATION INSTL-NG OUTBD AND INBD SIDE FAN DUCT	E,F,H ,N,P, R	RF
-15E	315T3300-5022		DELETED		
-15F	315T3300-5024		BIFURCATION INSTL-ENG OUTBD AND INBD SIDE FAN DUCT	E,F,H ,N,P, R	RF
-15G	315T3300-5026		BIFURCATION INSTL-ENG OUTBD AND INBD SIDE FAN DUCT	T,V,A K,AM	RF
-15H	315T3300-5028		DELETED		
-15J	315T3300-26		BIFURCATION INSTL-ENG OUTBD AND INBD SIDE FAN DUCT	Y,AC, AT,AV	RF
-15K	315T3300-28		BIFURCATION INSTL-ENG OUTBD AND INBD SIDE FAN DUCT	Z,AD, AX,AZ	RF
-15L	315T3300-30		BIFURCATION INSTL-ENG OUTBD AND INBD SIDE FAN DUCT	Q,AH, AP,AR ,BF,B H	RF
-15M	315T3300-32		BIFURCATION INSTL-ENG OUTBD AND INBD SIDE FAN DUCT	L,AG, BB,BD	RF
20	MS20615-5MP		.RIVET- (SIZE DETERMINE ON INST)		6
25	BACR15FT5KE		DELETED		
25A	BACR15FT5D		.RIVET- (SIZE DETERMINE ON INST)		13

71-11-33

 ILLUSTRATED PARTS LIST
 01.1 Page 1044V
 Jul 01/04

BOEING
 COMPONENT
 MAINTENANCE MANUAL

FIG. & ITEM	PART NO.	AIRLINE PART NUMBER	NOMENCLATURE	EFF CODE	QTY PER ASSY
05-30	315T3406-3		.LINER-AUX TRACK	A-D,G ,J,K, M,S,U ,W,X, AA,AB AE,AF ,AJ,A L,AN, AQ,AS ,AU AW,AY ,BA,B C,BE, BG	1
-35	315T3406-4		.LINER-AUX TRACK	E,F,H ,L,N, P-R,T ,V,Y, Z,AC AD,AG ,AH,A K,AM, AP,AR ,AT AV,AX ,AZ,B B,BD, BF,BH	1
40	315T3303-9		.FITTING ASSY-HINGE (USED ON ITEMS 10, 10A, 10B, 10C)	A,B,D ,J,K, M	1
-42	315T3303-13		.FITTING ASSY-HINGE (USED ON ITEM 10F)	A,B,D ,J,K, M	1

71-11-33

ILLUSTRATED PARTS LIST
 01.1 Page 1044W
 Jul 01/04

FIG. & ITEM	PART NO.	AIRLINE PART NUMBER	NOMENCLATURE 1234567	EFF CODE	QTY PER ASSY
05- -42A	315T3303-17		.FITTING ASSY-HINGE (LIMITED) (USED ON ITEM 10D)	A,B,D ,J,K, M	1
-42B	315T3303-23		.FITTING ASSY-HINGE (REWORK) (LIMITED) (REWORK DWG 315T3001-97SP 315T3001-99SP, 315T3001-101SP, 315T3001-103SP, 315T3001-117SP, 315T3001-119SP) (USED ON ITEM 10D)	A,B,D ,J,K, M	1
-42C	315T3303-17		.FITTING ASSY-HINGE	G,W,A A,AF, AN,AQ ,AS,A U,BE BG	1
-42D	315T3303-21		..FITTING ASSY-HINGE	C,S,U ,X,AB ,AE,A J,AL, AW,AY BA,BC	1
-45	315T3303-10		.FITTING ASSY-HINGE (USED ON ITEMS 15, 15A, 15B, 15C)	E,F,H ,N,P, R	1
-47	315T3303-14		.FITTING ASSY-HINGE (USED ON ITEM 15F)	E,F,H ,N,P, R	1

71-11-33

 ILLUSTRATED PARTS LIST
 01.1 Page 1044X
 Jul 01/04

BOEING
 COMPONENT
 MAINTENANCE MANUAL

FIG. & ITEM	PART NO.	AIRLINE PART NUMBER	NOMENCLATURE 1234567	EFF CODE	QTY PER ASSY
05- -47A	315T3303-18		.FITTING ASSY-HINGE (LIMITED) (USED ON ITEM 15D)	E,F,H ,N,P, R	1
-47B	315T3303-24		.FITTING ASSY-HINGE (REWORK) (LIMITED) (REWORK DWG 315T3001-98SP, 315T3001-100SP, 315T3001-102SP, 315T3001-104SP, 315T3001-118SP, 315T3001-120SP) (USED ON ITEM 15D)	E,F,H ,N,P, R	1
-47C	315T3303-18		.FITTING ASSY-HINGE	Q,Y,A C,AH, AP,AR ,AT,A V,BF BH	1
-47D	315T3303-22		.FITTING ASSY-HINGE	L,T,V ,Z,AD ,AG,A K,AM, AX,AZ BB,BD	1
50	BACB28W12B042		..BUSHING- (USED ON ITEMS 40, 42, 42A, 45, 47, 47A)	A,B, D-K, M-R,W ,AA,A C,AF, AH AN-AV ,BE-B	2
51	BACB28W12B042		..BUSHING- (USED ON ITEMS 42B, 47B)	H A-F, H-V,X ,Z,AB ,AD,A E,AG AJ-AM ,AW-B D	1

71-11-33

ILLUSTRATED PARTS LIST
 01.1 Page 1044Y
 Jul 01/04

FIG. & ITEM	PART NO.	AIRLINE PART NUMBER	NOMENCLATURE 1234567	EFF CODE	QTY PER ASSY
05-52	BACB28U12B042		..BUSHING- (USED ON ITEMS 42B, 47B)	A-F, H-V,X ,Z,AB ,AD,A E,AG AJ-AM ,AW-B D	1
55	BACB28W12B076		..BUSHING		2
60	315T3303-11		..FITTING- (USED ON ITEM 40)	A,B,D ,J,K, M	1
-62	315T3303-15		..FITTING- (USED ON ITEM 42)	A,B,D ,J,K, M	1
-62A	315T3303-19		..FITTING- (USED ON ITEMS 42A, 42B)	A-D,G ,J,K, M,S,U ,W,X, AA,AB AE,AF ,AJ,A L,AN, AQ,AS ,AU AW,AY ,BA,B C,BE, BG	1
-65	315T3303-12		..FITTING- (USED ON ITEM 45)	E,F,H ,N,P, R	1
-67	315T3303-16		..FITTING- (USED ON ITEM 47)	E,F,H ,N,P, R	1

71-11-33

 ILLUSTRATED PARTS LIST
 01.1 Page 1044Z
 Jul 01/04

BOEING
 COMPONENT
 MAINTENANCE MANUAL

FIG. & ITEM	PART NO.	AIRLINE PART NUMBER	NOMENCLATURE 1234567	EFF CODE	QTY PER ASSY
05- -67A	315T3303-20		..FITTING- (USED ON ITEMS 47A, 47B)	E,F,H ,L, N-R,T ,V,Y, Z,AC, AD AG,AH ,AK,A M,AP, AR,AT ,AV AX,AZ ,BB,B D,BF, BH	1
70	BACB30NU3K8		.BOLT		16
75	BACB30NR4K10		.BOLT		5
80	BACB30NU4K10		.BOLT		3
85	BACB30NU4K11		.BOLT		1
90	BACB30NU4K12		.BOLT		1
95	BACB30NU4K14		.BOLT		1
100	BACR15BA3AD		.RIVET- (SIZE DETERMINE ON INST)		10
105	315T3300-6		.FILLER-RADIUS		1
110	315T3300-5		.FILLER-RADIUS		1
115	BACF3F007G063NN		.FILLER		1
120	315T3300-11		.FILLER-RADIUS		1
125	BACF3F008G062NN		.FILLER		1
130	BACS40R12C35F		.SHIM		1
135	315T3537-1		.FILLER-TAPERED	A-D,G ,J,K, M,S,U ,W,X, AA,AB AE,AF ,AJ,A L,AN, AQ,AS ,AU AW,AY ,BA,B C,BE, BG	1

71-11-33

ILLUSTRATED PARTS LIST

01.1

Page 1045

Jul 01/04

FIG. & ITEM	PART NO.	AIRLINE PART NUMBER	NOMENCLATURE 1234567	EFF CODE	QTY PER ASSY
05- -140	315T3537-2		. FILLER-TAPERED	E, F, H L, N-R, T V, Y, Z, AC, AD AG, AH AK, A M, AP, AR, AT AV AX, AZ BB, B D, BF, BH	1
145	BACR15BA3AD		. RIVET- (SIZE DETERMINE ON INST)		54
150	BRFM20C3M		. NUTPLATE- (V52828) (SPEC BACN10JN3CM) (OPT MF1001-3BAC (V15653)) (OPT NS103218SE02 (V80539)) (OPT VN252D02 (V92215)) (OPT 109F9201M3 (V72962)) (OPT T8125C3C (V11815)) (OPT 109F9201M3 (V72962)) (OPT MF53050-3DL (V15653))		14

71-11-33

 ILLUSTRATED PARTS LIST
 01.1 Page 1046
 Jul 01/04


BOEING
 COMPONENT
 MAINTENANCE MANUAL

FIG. & ITEM	PART NO.	AIRLINE PART NUMBER	NOMENCLATURE 1234567	EFF CODE	QTY PER ASSY
05-155	BRFM20C4M		.NUTPLATE- (V52828) (SPEC BACN10JN4CM) (OPT MF1001-4BAC (V15653)) (OPT NS103218SE048 (V80539)) (OPT VN252D048 (V92215)) (OPT 109F9201M4 (V72962)) (OPT T8125C4C (V11815)) (OPT T8125C4C (V11815))		11
160	BRF200C3M		.NUTPLATE- (V52828) (SPEC BACN10JR3CFM) (OPT F5001-3BAC (V15653)) (OPT NS103203SE02 (V80539)) (OPT T8092C1032 (V11815)) (OPT VN152D1-02 (V92215)) (OPT 109F9201-3 (V72962))		2

71-11-33

 ILLUSTRATED PARTS LIST
 01.1 Page 1046A
 Jul 01/04

FIG. & ITEM	PART NO.	AIRLINE PART NUMBER	NOMENCLATURE 1234567	EFF CODE	QTY PER ASSY
05-165	315T3302-1		.TRACK ASSY-UPR (USED ON ITEMS 10, 10B)	A,B,D ,J,K, M	1
-165A	315T3302-5		.TRACK ASSY-UPR (USED ON ITEMS 10A, 10C, 10D, 10F)	A,B,D ,J,K, M,S,U ,AJ,A L	1
-165B	315T3302-9		.TRACK ASSY-UPR	C,G,W ,X,AA ,AB,A E,AF, AN,AQ AS,AU ,AW,A Y,BA, BC,BE ,BG	1
-170	315T3302-2		.TRACK ASSY-UPR (USED ON ITEMS 15, 15B)	E,F,H ,N,P, R	1
-170A	315T3302-6		.TRACK ASSY-UPR (USED ON ITEMS 15A, 15C, 15D, 15F)	E,F,H ,N,P, R,T,V ,AK,A M	1
-170B	315T3302-10		.TRACK ASSY-UPR	L,Q,Y ,Z,AC ,AD,A G,AH, AP,AR AT,AV ,AX,A Z,BB, BD,BF ,BH	1
175	315T3317-1		..RETAINER-LINER (ITEMS 175, 180 AND 185 OPT TO ITEMS 175A, 190 AND 200)		1
175A	315T3257-1		..RETAINER-PIN (ITEMS 175, 180 AND 185 OPT TO ITEMS 175A, 190 AND 200)		1

71-11-33

 ILLUSTRATED PARTS LIST
 01.1 Page 1046B
 Jul 01/04


BOEING
 COMPONENT
 MAINTENANCE MANUAL

FIG. & ITEM	PART NO.	AIRLINE PART NUMBER	NOMENCLATURE 1234567	EFF CODE	QTY PER ASSY
05-180	NAS623-3-26		..SCREW- (ITEMS 175, 180 AND 185 OPT TO ITEMS 175A, 190 AND 200)		1
185	H10-3BAC		..NUT- (V15653) (SPEC BACN10JC3) (OPT NS202101-02 (V80539)) (OPT RMLH9075-3W (V72962)) (OPT T6S1032J (V71087)) (OPT VN303A02 (V92215)) (OPT 96-02 (V80539)) (OPT BRH10A3 (V52828)) (ITEMS 175, 180 AND 185 OPT TO ITEMS 175A, 190 AND 200)		1
190	315T3257-2		..PIN- (ITEMS 175, 180 AND 185 OPT TO ITEMS 175A, 190 AND 200)		1
195	AN960PD10L		..WASHER		1
200	NAS6703H12		..BOLT- (ITEMS 175, 180 AND 185 OPT TO ITEMS 175A, 190 AND 200)		1
205	BACB30LL3-3		..BOLT		1

71-11-33

 ILLUSTRATED PARTS LIST
 01.1 Page 1046C
 Jul 01/04

FIG. & ITEM	PART NO.	AIRLINE PART NUMBER	NOMENCLATURE 1234567	EFF CODE	QTY PER ASSY
05-210	H10-3BAC		..NUT- (V15653) (SPEC BACN10JC3) (OPT NS202101-02 (V80539)) (OPT RMLH9075-3W (V72962)) (OPT T6S1032J (V71087)) (OPT VN303A02 (V92215)) (OPT 96-02 (V80539)) (OPT BRH10A3 (V52828))		1
215	315T3415-8		..LINER	A,B,D ,J,K, M,S,U ,AJ,A L	1
-215B	315T3415-8		...LINER- (OPT ITEM 215C)	C,G,W ,X,AA ,AB,A E,AF, AN,AQ AS,AU ,AW,A Y,BA, BC,BE ,BG	1
-215C	315T3415-24		...LINER- (OPT ITEM 215B)	C,G,W ,X,AA ,AB,A E,AF, AN,AQ AS,AU ,AW,A Y,BA, BC,BE ,BG	1

71-11-33

ILLUSTRATED PARTS LIST

01.1 Page 1046D

Jul 01/04


BOEING
 COMPONENT
 MAINTENANCE MANUAL

FIG. & ITEM	PART NO.	AIRLINE PART NUMBER	NOMENCLATURE 1234567	EFF CODE	QTY PER ASSY
05- -220	315T3415-9		..LINER	E, F, H , N, P , R, T, V , AK, A M	1
-220B	315T3415-9		...LINER- (OPT ITEM 220C)	L, Q, Y , Z, AC , AD, A G, AH, AP, AR AT, AV , AX, A Z, BB, BD, BF , BH	1
-220C	315T3415-23		...LINER- (OPT ITEM 220B)	L, Q, Y , Z, AC , AD, A G, AH, AP, AR AT, AV , AX, A Z, BB, BD, BF , BH	1
225	315T3302-3		..TRACK- (USED ON ITEM 165)	A, B, D , J, K, M	1
-225A	315T3302-7		..TRACK- (USED ON ITEM 165A)	A, B, D , J, K, M, S, U , AJ, A L	1
-225B	315T3302-11		..TRACK	C, G, W , X, AA , AB, A E, AF, AN, AQ AS, AU , AW, A Y, BA, BC, BE , BG	1

71-11-33

ILLUSTRATED PARTS LIST

01.1 Page 1046E

Jul 01/04

FIG. & ITEM	PART NO.	AIRLINE PART NUMBER	NOMENCLATURE 1234567	EFF CODE	QTY PER ASSY
05- -230	315T3302-4		..TRACK- (USED ON ITEM 170)	E,F,H ,N,P, R	1
-230A	315T3302-8		..TRACK- (USED ON ITEM 170A)	E,F,H ,N,P, R,T,V ,AK,A M	1
-230B	315T3302-12		..TRACK	L,Q,Y ,Z,AC ,AD,A G,AH, AP,AR AT,AV ,AX,A Z,BB, BD,BF ,BH	1
235	315T3301-69		.PANEL ASSY-WALL (OPT ITEM 235A)	A,B,D ,J,K, M,S,U ,AJ,A L	1
-235A	315T3301-65		.PANEL ASSY-WALL (OPT ITEM 235)	A,B,D ,J,K, M,S,U ,AJ,A L	1
-235B	315T3301-125		.PANEL ASSY-WALL	C,G,W ,X,AA ,AB,A E,AF, AN,AQ AS,AU ,AW,A Y,BA, BC,BE ,BG	1

71-11-33

ILLUSTRATED PARTS LIST

01.1 Page 1046F

Jul 01/04

BOEING
 COMPONENT
 MAINTENANCE MANUAL

FIG. & ITEM	PART NO.	AIRLINE PART NUMBER	NOMENCLATURE 1234567	EFF CODE	QTY PER ASSY
05- -240	315T3301-66		.PANEL ASSY-WALL (OPT ITEM 240A)	E, F, H , N, P, R, T, V , AK, A M	1
-240A	315T3301-70		.PANEL ASSY-WALL (OPT ITEM 240)	E, F, H , N, P, R, T, V , AK, A M	1
-240B	315T3301-126		.PANEL ASSY-WALL	L, Q, Y , Z, AC , AD, A G, AH, AP, AR AT, AV , AX, A Z, BB, BD, BF , BH	1
245	BACR15BB3AD		..RIVET- (SIZE DETERMINE ON INST)		13
250	315T3301-45		..RETAINER		1
255	315T3301-60		..RETAINER		1
260	HL11VAZ5-19		..BOLT- (V60516) (SPEC BACB30NW5K19) (OPT B30NW5K19 (V97928)) (OPT HL11VAZ5-19 (V73197)) (OPT HL11VAZ5-19 (V92215)) (OPT HL11VAZ5-19 (V97928)) (OPT L803-5K19 (V06725)) (OPT HL11VAZ5-19 (V0PTK6)) (OPT HL11VAZ5-19 (V56878))	A-D, G , J, K, M, S, U , W, X, AA, AB AE, AF , AJ, A L, AN, AQ, AS , AU AW, AY , BA, B C, BE, BG	6

71-11-33

ILLUSTRATED PARTS LIST
 01.1 Page 1046G
 Jul 01/04

FIG. & ITEM	PART NO.	AIRLINE PART NUMBER	NOMENCLATURE	EFF CODE	QTY PER ASSY
05-265	HL70-5		1234567 ..COLLAR- (V5M902) (SPEC BACC30M5) (OPT HL70-5 (V73197)) (OPT HL70-5 (V92215)) (OPT 66014-5 (V56878)) (OPT HL70-5 (V56878))	A-D,G ,J,K, M,S,U ,W,X, AA,AB AE,AF ,AJ,A L,AN, AQ,AS ,AU AW,AY ,BA,B C,BE, BG	6
270	315T3130-10		..BRACKET ASSY	A-D,G ,J,K, M,S,U ,W,X, AA,AB AE,AF ,AJ,A L,AN, AQ,AS ,AU AW,AY ,BA,B C,BE, BG	3
275	BACR15CE3M		...RIVET- (SIZE DETERMINE ON INST)	A-D,G ,J,K, M,S,U ,W,X, AA,AB AE,AF ,AJ,A L,AN, AQ,AS ,AU AW,AY ,BA,B C,BE, BG	2

71-11-33

ILLUSTRATED PARTS LIST

01.1 Page 1046H

Jul 01/04

BOEING
 COMPONENT
 MAINTENANCE MANUAL

FIG. & ITEM	PART NO.	AIRLINE PART NUMBER	NOMENCLATURE 1234567	EFF CODE	QTY PER ASSY
05-280	BRM100C3M		...NUTPLATE- (V52828) (SPEC BACN10JP3BCM) (OPT MK2001-3BAC (V15653)) (OPT NS103198SE02 (V80539)) (OPT T8081C1032 (V11815)) (OPT VN201D1-02 (V92215)) (OPT 109A9207M3 (V72962))	A-D,G ,J,K, M,S,U ,W,X, AA,AB AE,AF ,AJ,A L,AN, AQ,AS ,AU AW,AY ,BA,B C,BE, BG	1
285	315T3130-9		...BRACKET	A-D,G ,J,K, M,S,U ,W,X, AA,AB AE,AF ,AJ,A L,AN, AQ,AS ,AU AW,AY ,BA,B C,BE, BG	1
290	ASPF PDT8-20		.PIN- (V29666)		1

71-11-33

ILLUSTRATED PARTS LIST
 01.1 Page 1046I
 Jul 01/04

FIG. & ITEM	PART NO.	AIRLINE PART NUMBER	NOMENCLATURE 1234567	EFF CODE	QTY PER ASSY
05-295	ASPFSDT8		.SLEEVE- (V29666)		1
300	ASPLC2AC8		.COLLAR- (V29666)		1
305	HL13VAZ8-20		.BOLT- (V56878) (SPEC BACB30NY8K20) (OPT HL13VAZ8-20 (V73197)) (OPT HL13VAZ8-20 (V92215)) (OPT HL13VAZ8-20 (V97928)) (OPT L801-8K20 (V06725)) (OPT HL13VAZ8-20 (V08524)) (OPT HL13V20 (V06725)) (OPT HL13VAZ8-20 (V17446))		2
310	HL13VAZ8-21		.BOLT- (V56878) (SPEC BACB30NY8K21) (OPT HL13VAZ8-21 (V73197)) (OPT HL13VAZ8-21 (V92215)) (OPT HL13VAZ8-21 (V97928)) (OPT L801-8K21 (V06725)) (OPT HL13VAZ8-21 (V08524)) (OPT HL13V21 (V06725)) (OPT HL13VAZ8-21 (V17446))		2

71-11-33

 ILLUSTRATED PARTS LIST
 01.1 Page 1046J
 Jul 01/04


BOEING
 COMPONENT
 MAINTENANCE MANUAL

FIG. & ITEM	PART NO.	AIRLINE PART NUMBER	NOMENCLATURE 1234567	EFF CODE	QTY PER ASSY
05-315	HL79-8		.COLLAR- (V5M902) (SPEC BACC30M8) (OPT HL79-8 (V73197)) (OPT HL79-8 (V92215)) (OPT 66014-8 (V56878)) (OPT HL79-8 (V56878))		4
320	HL1012AZ8-23		.BOLT- (V0PTK6) (SPEC BACB30NX8K23) (OPT HL12VAZ8-23 (V73197)) (OPT HL12VAZ8-23 (V92215)) (OPT HL12VAZ8-23 (V97928)) (OPT L802-8K23 (V06725)) (OPT HL12VAZ8-23 (V56878)) (OPT HL1012AZ8-23 (V06725)) (OPT HL1012AZ8-23 (V06950)) (OPT HL1012AZ8-23 (V17446)) (OPT HL1012AZ8-23 (V56878)) (OPT HL1012AZ8-23 (V60516)) (OPT HL1012AZ8-23 (V73197)) (OPT HL1012AZ8-23 (V97928))		2

71-11-33

 ILLUSTRATED PARTS LIST
 01.1 Page 1046K
 Jul 01/04



COMPONENT
MAINTENANCE MANUAL

FIG. & ITEM	PART NO.	AIRLINE PART NUMBER	NOMENCLATURE 1234567	EFF CODE	QTY PER ASSY
05-322	HL1012AZ8-25		.BOLT- (VOPTK6) (SPEC BACB30NX8K25) (OPT HL12VAZ8-25 (V73197)) (OPT HL12VAZ8-25 (V92215)) (OPT HL12VAZ8-25 (V97928)) (OPT L802-8K25 (V06725)) (OPT HL12VAZ8-25 (V56878)) (OPT HL1012AZ8-25 (V06725)) (OPT HL1012AZ8-25 (V06950)) (OPT HL1012AZ8-25 (V17446)) (OPT HL1012AZ8-25 (V56878)) (OPT HL1012AZ8-25 (V60516)) (OPT HL1012AZ8-25 (V73197)) (OPT HL1012AZ8-25 (V97928))		1
325	HL1187DUW8		.COLLAR- (V5M902) (SPEC BACC30X8SW) (OPT HL87DUW8 (V73197)) (OPT HL87DUW8 (V92215)) (OPT HL1187DUW8 (V56878)) (OPT HL1187DUW8 (V92215)) (OPT HL87DUW8 (V56878)) (OPT HL1187DUW8 (V73197))		3

71-11-33


BOEING
 COMPONENT
 MAINTENANCE MANUAL

FIG. & ITEM	PART NO.	AIRLINE PART NUMBER	NOMENCLATURE 1234567	EFF CODE	QTY PER ASSY
05-330	HL10VAZ6-23		.BOLT- (V60516) (SPEC BACB30MY6K23) (OPT B30MY6K23 (V97928))		2
335	HL10VAZ6-22		.BOLT- (V60516) (SPEC BACB30MY6K22) (OPT B30MY6K22 (V97928))		2
340	HL79-6		.COLLAR- (V5M902) (SPEC BACC30M6) (OPT HL79-6 (V73197)) (OPT HL79-6 (V92215)) (OPT 66014-6 (V56878)) (OPT HL79-6 (V56878))		4
345	BACS40R37C46F		.SHIM- (USED ON ITEMS 10B, 15B)	A,B, D-F, H-K, M-P,R	1
-345A	315T3300-12		.SHIM- (USED ON ITEMS 10, 10A, 10C, 10F, 15, 15A, 15C, 15F)		1

71-11-33

 ILLUSTRATED PARTS LIST
 01.1 Page 1046M
 Jul 01/04

FIG. & ITEM	PART NO.	AIRLINE PART NUMBER	NOMENCLATURE 1234567	EFF CODE	QTY PER ASSY
05-350	BACS40R10C38F		.SHIM- (USED ON ITEMS 10B, 15B)	A,B, D-F, H-K, M-P,R	1
-350A	315T3300-13		.SHIM- (USED ON ITEMS 10, 10A, 10C, 10F, 15, 15A, 15C, 15F)		1
355	315T3308-25		.ATTACH ASSY-ACTR (USED ON ITEM 10B)	A,B,D ,J,K, M	1
-355A	315T3308-33		.ATTACH ASSY-ACTR (USED ON ITEMS 10, 10A, 10C, 10D, 10F)	A-D,G ,J,K, M,S,U ,W,X, AA,AB AE,AF ,AJ,A L,AN, AQ,AS ,AU AW,AY ,BA,B C,BE, BG	1
-360	315T3308-26		.ATTACH ASSY-ACTR (USED ON ITEM 15B)	E,F,H ,N,P, R	1
-360A	315T3308-34		.ATTACH ASSY-ACTR (USED ON ITEMS 15, 15A, 15C, 15D, 15F)	E,F,H ,L,N, P-R,T ,V,Y, Z,AC AD,AG ,AH,A K,AM, AP,AR ,AT AV,AX ,AZ,B B,BD, BF,BH	1

71-11-33

 ILLUSTRATED PARTS LIST
 01.1 Page 1046N
 Jul 01/04

BOEING
 COMPONENT
 MAINTENANCE MANUAL

FIG. & ITEM	PART NO.	AIRLINE PART NUMBER	NOMENCLATURE 1234567	EFF CODE	QTY PER ASSY
05-					
365	BACB28AM09B021A		..BUSHING		1
370	BACB28AP06P021		..BUSHING		1
375	BACR15BA3AD		..RIVET-		4
			(SIZE DETERMINE ON INST)		
380	BRM300C08M		..NUTPLATE-		1
			(V52828)		
			(SPEC BACN10JP08CCM)		
			(OPT MK3001-08BAC		
			(V15653))		
			(OPT NS103199SE82		
			(V80539))		
			(OPT T8082C832		
			(V11815))		
			(OPT VN203D1-82		
			(V92215))		
			(OPT 109A9205M82		
			(V72962))		
385	109F9201M82		..NUTPLATE-		1
			(V72962)		
			(SPEC BACN10JN08CM)		
			(OPT BRFM20C08M		
			(V52828))		
			(OPT MF1001-08BAC		
			(V15653))		
			(OPT NS103218SE82		
			(V80539))		
			(OPT VN252D82		
			(V92215))		
			(OPT 109F9201M82		
			(V72962))		
			(OPT T8125C08C		
			(V11815))		

71-11-33

ILLUSTRATED PARTS LIST
 01.1 Page 10460
 Jul 01/04

FIG. & ITEM	PART NO.	AIRLINE PART NUMBER	NOMENCLATURE 1234567	EFF CODE	QTY PER ASSY
05-390	315T3308-27		..PAD- (USED ON ITEM 355)	A,B,D ,J,K, M	1
-390A	315T3308-23		..PAD- (USED ON ITEM 355A)	A-D,G ,J,K, M,S,U ,W,X, AA,AB AE,AF ,AJ,A L,AN, AQ,AS ,AU AW,AY ,BA,B C,BE, BG	1
-395	315T3308-28		..PAD- (USED ON ITEM 360)	E,F,H ,N,P, R	1
-395A	315T3308-24		..PAD- (USED ON ITEM 360A)	E,F,H ,L, N-R,T ,V,Y, Z,AC, AD AG,AH ,AK,A M,AP, AR,AT ,AV AX,AZ ,BB,B D,BF, BH	1
400	315T3308-29		..SHIM- (USED ON ITEMS 355, 360)	A,B, D-F, H-K, M-P,R	1

71-11-33

 ILLUSTRATED PARTS LIST
 01.1 Page 1046P
 Jul 01/04


BOEING
 COMPONENT
 MAINTENANCE MANUAL

FIG. & ITEM	PART NO.	AIRLINE PART NUMBER	NOMENCLATURE 1234567	EFF CODE	QTY PER ASSY
05- -400A	315T3308-35		..SHIM- (USED ON ITEMS 355A, 360A)		1
405	315T3308-31		..FILLER-RADIUS (USED ON ITEMS 355, 355A)	A-D,G ,J,K, M,S,U ,W,X, AA,AB AE,AF ,AJ,A L,AN, AQ,AS ,AU AW,AY ,BA,B C,BE, BG	1
-405A	315T3308-32		..FILLER-RADIUS (USED ON ITEMS 360, 360A)	E,F,H ,L, N-R,T ,V,Y, Z,AC, AD AG,AH ,AK,A M,AP, AR,AT ,AV AX,AZ ,BB,B D,BF, BH	1
410	HL10VAZ6-20		.BOLT- (V60516) (SPEC BACB30MY6K20) (OPT B30MY6K20 (V97928))		4
415	HL10VAZ6-21		.BOLT- (V60516) (SPEC BACB30MY6K21) (OPT B30MY6K21 (V97928))		4

71-11-33

ILLUSTRATED PARTS LIST

01.1 Page 1046Q

Jul 01/04

FIG. & ITEM	PART NO.	AIRLINE PART NUMBER	NOMENCLATURE	EFF CODE	QTY PER ASSY
05-420	HL79-6		.COLLAR- (V5M902) (SPEC BACC30M6) (OPT HL79-6 (V73197)) (OPT HL79-6 (V92215)) (OPT 66014-6 (V56878)) (OPT HL79-6 (V56878))		8
425	315T3310-5		.PAD ASSY-CPRSN	A-D,G ,J,K, M,S,U ,W,X, AA,AB AE,AF ,AJ,A L,AN, AQ,AS ,AU AW,AY ,BA,B C,BE, BG E,F,H ,L, N-R,T ,V,Y, Z,AC, AD AG,AH ,AK,A M,AP, AR,AT ,AV AX,AZ ,BB,B D,BF, BH	1
-430	315T3310-6		.PAD ASSY-CPRSN		1

71-11-33

 ILLUSTRATED PARTS LIST
 01.1 Page 1046R
 Jul 01/04

BOEING
 COMPONENT
 MAINTENANCE MANUAL

FIG. & ITEM	PART NO.	AIRLINE PART NUMBER	NOMENCLATURE	EFF CODE	QTY PER ASSY
			1234567		
05-435	BACR15BA3AD		..RIVET- (SIZE DETERMINE ON INST)		6
440	109F9201M82		..NUTPLATE- (V72962) (SPEC BACN10JN08CM) (OPT BRFM20C08M (V52828)) (OPT MF1001-08BAC (V15653)) (OPT NS103218SE82 (V80539)) (OPT VN252D82 (V92215)) (OPT 109F9201M82 (V72962)) (OPT T8125C08C (V11815))		3
445	315T3310-7		..PAD	A-D,G ,J,K, M,S,U ,W,X, AA,AB AE,AF ,AJ,A L,AN, AQ,AS ,AU AW,AY ,BA,B C,BE, BG	1

71-11-33

ILLUSTRATED PARTS LIST
 01.1 Page 1046S
 Jul 01/04

FIG. & ITEM	PART NO.	AIRLINE PART NUMBER	NOMENCLATURE	EFF CODE	QTY PER ASSY
05-450	315T3310-8		1234567 ..PAD	E, F, H L, N-R, T V, Y, Z, AC, AD AG, AH AK, A M, AP, AR, AT AV AX, AZ BB, B D, BF, BH	1

71-11-33

 ILLUSTRATED PARTS LIST
 01.1 Page 1046T
 Jul 01/04

BOEING
 COMPONENT
 MAINTENANCE MANUAL

FIG. & ITEM	PART NO.	AIRLINE PART NUMBER	NOMENCLATURE 1234567	EFF CODE	QTY PER ASSY
05-455	HL13VAZ6-22		.BOLT- (V56878) (SPEC BACB30NY6K22) (OPT HL13VAZ6-22 (V73197)) (OPT HL13VAZ6-22 (V92215)) (OPT HL13VAZ6-22 (V97928)) (OPT L801-6K22 (V06725)) (OPT HL13VAZ6-22 (V08524)) (OPT HL13V22 (V06725)) (OPT HL13VAZ6-22 (V17446)) (ITEM 466 USED WITH ITEMS 468, 469 OPT TO ITEM 455 USED WITH ITEM 465)	A-V, A E-AR, BA-BH	1
-455A	HL13VAZ6-15		.BOLT- (V56878) (SPEC BACB30NY6K15) (OPT HL13VAZ6-15 (V73197)) (OPT HL13VAZ6-15 (V92215)) (OPT HL13VAZ6-15 (V08524)) (OPT L801-6K15 (V06725)) (OPT HL13V15 (V06725)) (OPT HL13VAZ6-15 (V97928)) (OPT HL13VAZ6-15 (V17446)) (ITEM 466A USED WITH ITEMS 468A, 469 OPT TO ITEM 455A USED WITH ITEM 465)	W-AD, AS-AZ	1

71-11-33

ILLUSTRATED PARTS LIST
 01.1 Page 1046U
 Jul 01/04

FIG. & ITEM	PART NO.	AIRLINE PART NUMBER	NOMENCLATURE 1234567	EFF CODE	QTY PER ASSY
05-460	HL13VAZ6-21		.BOLT- (V56878) (SPEC BACB30NY6K21) (OPT HL13VAZ6-21 (V73197)) (OPT HL13VAZ6-21 (V92215)) (OPT HL13VAZ6-21 (V97928)) (OPT L801-6K21 (V06725)) (OPT HL13VAZ6-21 (V08524)) (OPT HL13V21 (V06725)) (OPT HL13VAZ6-21 (V17446)) (ITEM 467 USED WITH ITEMS 468, 469 OPT TO ITEM 460 USED WITH ITEM 465)	A-V, A E-AR, BA-BH	1
-460A	HL13VAZ6-14		.BOLT- (V56878) (SPEC BACB30NY6K14) (OPT HL13VAZ6-14 (V73197)) (OPT HL13VAZ6-14 (V92215)) (OPT HL13VAZ6-14 (V97928)) (OPT L801-6K14 (V06725)) (OPT HL13VAZ6-14 (V08524)) (OPT HL13V14 (V06725)) (OPT HL13VAZ6-14 (V97928)) (ITEM 467A USED WITH ITEMS 468A, 469 OPT TO ITEM 460A USED WITH ITEM 465)	W-AD, AS-AZ	1

71-11-33

 ILLUSTRATED PARTS LIST
 01.1 Page 1046V
 Jul 01/04

BOEING
 COMPONENT
 MAINTENANCE MANUAL

FIG. & ITEM	PART NO.	AIRLINE PART NUMBER	NOMENCLATURE 1234567	EFF CODE	QTY PER ASSY
05-465	HL1187DUW6		.COLLAR- (V5M902) (SPEC BACC30X6SW) (OPT HL87DUW6 (V73197)) (OPT HL87DUW6 (V92215)) (OPT HL1187DUW6 (V56878)) (OPT HL1187DUW6 (V92215)) (OPT HL87DUW6 (V56878)) (OPT HL1187DUW6 (V73197)) (ITEM 466 USED WITH ITEMS 468, 469 OPT TO ITEM 455 USED WITH ITEM 465) (ITEM 466A USED WITH ITEMS 468A, 469 OPT TO ITEM 455A USED WITH ITEM 465) (ITEM 467 USED WITH ITEMS 468, 469 OPT TO ITEM 460 USED WITH ITEM 465) (ITEM 467A USED WITH ITEMS 468A, 469 OPT TO ITEM 460A USED WITH ITEM 465)		2
466	BACB30VF3K22		.BOLT- (ITEM 466 USED WITH ITEMS 468, 469 OPT TO ITEM 455 USED WITH ITEM 465)	A-V, A E-AR, BA-BH	1
-466A	BACB30VF3K15		.BOLT- (ITEM 466A USED WITH ITEMS 468A, 469 OPT TO ITEM 455A USED WITH ITEM 465)	W-AD, AS-AZ	1

71-11-33

ILLUSTRATED PARTS LIST
 01.1 Page 1046W
 Jul 01/04

FIG. & ITEM	PART NO.	AIRLINE PART NUMBER	NOMENCLATURE 1234567	EFF CODE	QTY PER ASSY
05-467	BACB30VF3K21		.BOLT- (ITEM 467 USED WITH ITEMS 468, 469 OPT TO ITEM 460 USED WITH ITEM 465)	A-V, A E-AR, BA-BH	1
-467A	BACB30VF3K14		.BOLT- (ITEM 467A USED WITH ITEMS 468A, 469 OPT TO ITEM 460A USED WITH ITEM 465)	W-AD, AS-AZ	1
468	AN960KD10L		.WASHER- (ITEM 466 USED WITH ITEMS 468, 469 OPT TO ITEM 455 USED WITH ITEM 465) (ITEM 467 USED WITH ITEMS 468, 469 OPT TO ITEM 460 USED WITH ITEM 465)	A-V, A E-AR, BA-BH	2
-468A	AN960D10L		.WASHER- (ITEM 466A USED WITH ITEMS 468A, 469 OPT TO ITEM 455A USED WITH ITEM 465) (ITEM 467A USED WITH ITEMS 468A, 469 OPT TO ITEM 460A USED WITH ITEM 465)	W-AD, AS-AZ	2
469	MS21042L3		.NUT- (ITEM 466 USED WITH ITEMS 468, 469 OPT TO ITEM 455 USED WITH ITEM 465) (ITEM 466A USED WITH ITEMS 468A, 469 OPT TO ITEM 455A USED WITH ITEM 465) (ITEM 467 USED WITH ITEMS 468, 469 OPT TO ITEM 460 USED WITH ITEM 465) (ITEM 467A USED WITH ITEMS 468A, 469 OPT TO ITEM 460A USED WITH ITEM 465)		2

71-11-33

ILLUSTRATED PARTS LIST

01.1 Page 1046X

Jul 01/04


BOEING
 COMPONENT
 MAINTENANCE MANUAL

FIG. & ITEM	PART NO.	AIRLINE PART NUMBER	NOMENCLATURE 1234567	EFF CODE	QTY PER ASSY
05-470	HL10VAZ6-16		.BOLT- (V60516) (SPEC BACB30MY6K16) (OPT B30MY6K16 (V97928))		1
475	L8006-15		.BOLT- (V06725) (SPEC BACB30MY6K15) (OPT HL10VAZ6-15 (VOPTK6))		1
480	HL82-6APBW		.COLLAR- (V5M902) (SPEC BACC30AG6) (OPT HL82-6APBW (V92215)) (OPT HL82-6APBW (V56878)) (OPT HL82-6APBW (V73197))		2
485	315T3309-1		.PAD ASSY-CPRSN	A-D,G ,J,K, M,S,U ,AE,A F AJ,AL ,AN,A Q,BA, BC,BE ,BG	1

71-11-33

 ILLUSTRATED PARTS LIST
 01.1 Page 1046Y
 Jul 01/04

FIG. & ITEM	PART NO.	AIRLINE PART NUMBER	NOMENCLATURE 1234567	EFF CODE	QTY PER ASSY
05-487	315U4309-9		DELETED		
487A	315U4309-17		.PAD ASSY-CPRSN (REPLD BY ITEM 487B)	W,AA, AS,AU	1
-487B	315U4309-23		.PAD ASSY-CPRSN (REPLS ITEM 487A)	W,AA, AS,AU	1
-487C	315U4309-23		.PAD ASSY-CPRSN	X,AB, AW,AY	1
-490	315T3309-2		.PAD ASSY-CPRSN	E,F,H L, N-R,T V,AG AH AK,AM AP,A R,BB, BD,BF BH	1
-492	315U4309-10		.PAD ASSY-CPRSN (REPLD BY ITEM 492B)	Y,AC, AT,AV	1
-492A	315U4309-14		DELETED		
-492B	315U4309-26		.PAD ASSY-CPRSN (REPLS ITEM 492)	Y,AC, AT,AV	1
-492C	315U4309-28		.PAD ASSY-CPRSN	Z,AD, AX,AZ	1
495	BACR15BA3AD		..RIVET- (SIZE DETERMINE ON INST)	A-V,A E-AR, BA-BH	4
500	BRM200C08M		..NUTPLATE- (V52828) (SPEC BACN10JP08ACM) (OPT MK1001-08BAC (V15653)) (OPT NS103197SE82 (V80539)) (OPT T8080C832 (V11815)) (OPT VN202D1-82 (V92215)) (OPT 109A9201M82 (V72962))	A-V,A E-AR, BA-BH	2

71-11-33

 ILLUSTRATED PARTS LIST
 01.1 Page 10462
 Jul 01/04

BOEING
 COMPONENT
 MAINTENANCE MANUAL

FIG. & ITEM	PART NO.	AIRLINE PART NUMBER	NOMENCLATURE	EFF CODE	QTY PER ASSY
			1234567		
05-503	MS21209C0820P		..INSERT	W-AD, AS-AZ	2
505	315T3309-3		..PAD	A-D,G ,J,K, M,S,U ,AE,A F AJ,AL ,AN,A Q,BA, BC,BE ,BG	1
507	315U4309-11		DELETED		
507A	315U4309-18		..PAD- (USED ON ITEM 487A)	W,AA, AS,AU	1
-507B	315U4309-24		..PAD- (USED ON ITEM 487B)	W,X,A A,AB, AS,AU ,AW,A Y	1
-510	315T3309-4		..PAD	E,F,H ,L, N-R,T ,V,AG ,AH AK,AM ,AP,A R,BB, BD,BF ,BH	1
-512	315U4309-12		..PAD- (USED ON ITEM 492)	Y,AC, AT,AV	1

71-11-33

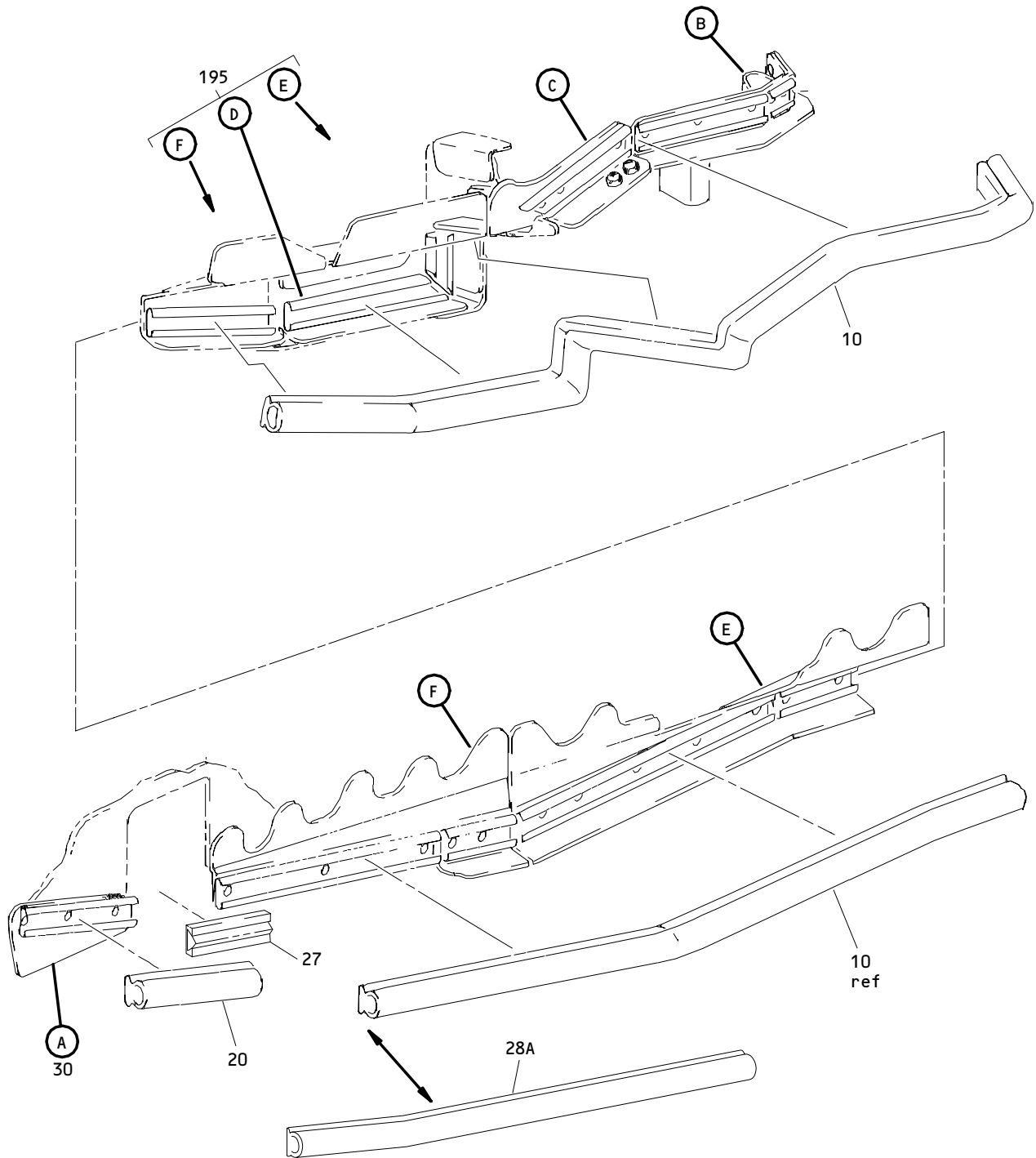
ILLUSTRATED PARTS LIST
 01.1 Page 1047
 Jul 01/04

FIG. & ITEM	PART NO.	AIRLINE PART NUMBER	NOMENCLATURE 1234567	EFF CODE	QTY PER ASSY
05-					
-512A	315U4309-16		DELETED		
-512B	315U4309-25		..PAD- (USED ON ITEM 492B)	Y,AC, AT,AV	1
-512C	315U4309-27		..PAD	Z,AD, AX,AZ	1
515	BACB30NM3K3		.BOLT- (USED WITH ITEMS 520, 525)		3
520	AN960PD10L		.WASHER- (USED WITH ITEMS 515, 525)		3
525	BRM200A3		.NUTPLATE- (V52828) (SPEC BACN10JP3A) (OPT MK1000-3BAC (V15653)) (OPT NS103197-02 (V80539)) (OPT RMA9201M3 (V72962)) (OPT T8076S1032 (V11815)) (OPT VN202A1-02 (V92215)) (USED WITH ITEMS 515, 520)		3
530	PLT1001-5-2		.BOLT- (V92215) (SPEC BACB30CC5-2) (OPT P164-2 (V98524)) (OPT PLT1001-5-2 (V98524)) (OPT ITEM 530A)		3
-530A	MS21141-0502P		.FASTENER- (OPT ITEM 530) DELETED FOR METAL BULLNOSE. *(2) USE THESE FASTENERS FOR FIBERGLASS BULLNOSE.		3

- Item Not Illustrated

71-11-33

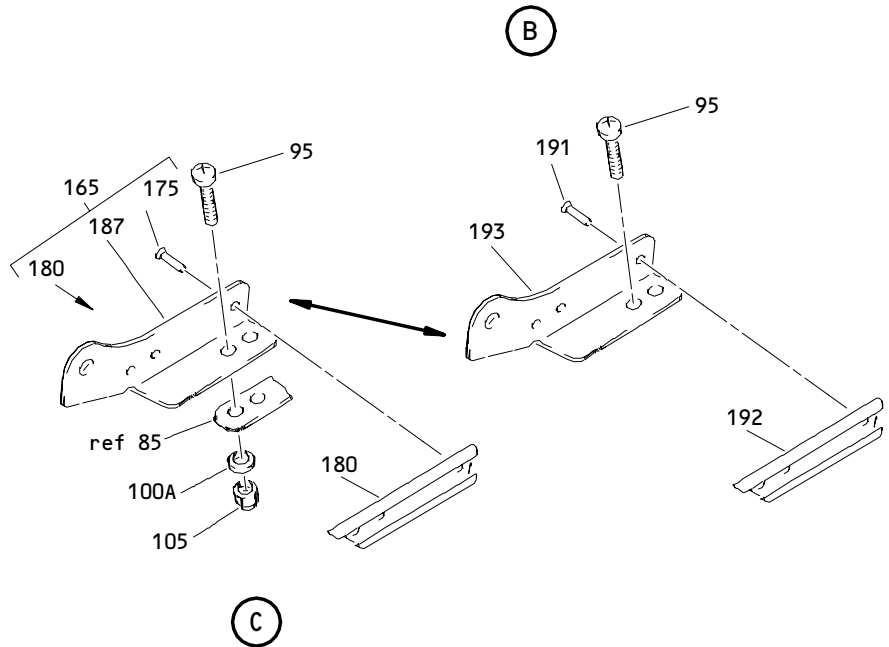
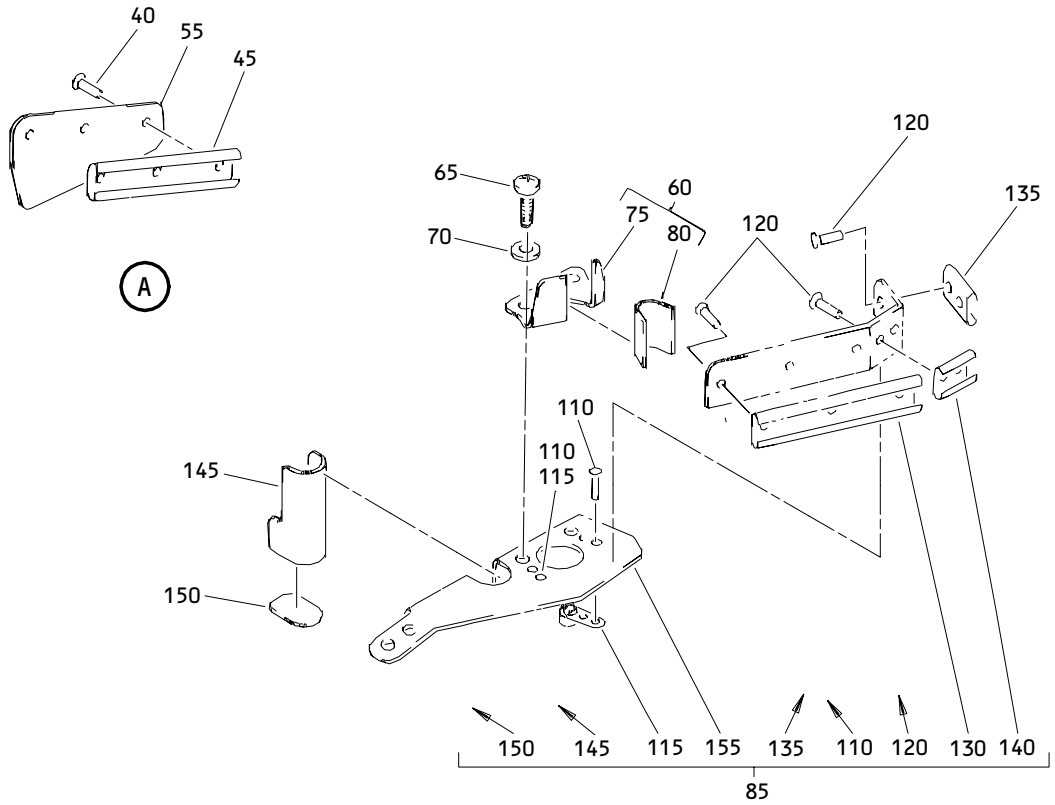
 ILLUSTRATED PARTS LIST
 01.1 Page 1048
 Jul 01/04



Engine Outboard Side Fan Duct Cowl Upper Bifurcation Seal Installation
Figure 6 (Sheet 1)

71-11-33

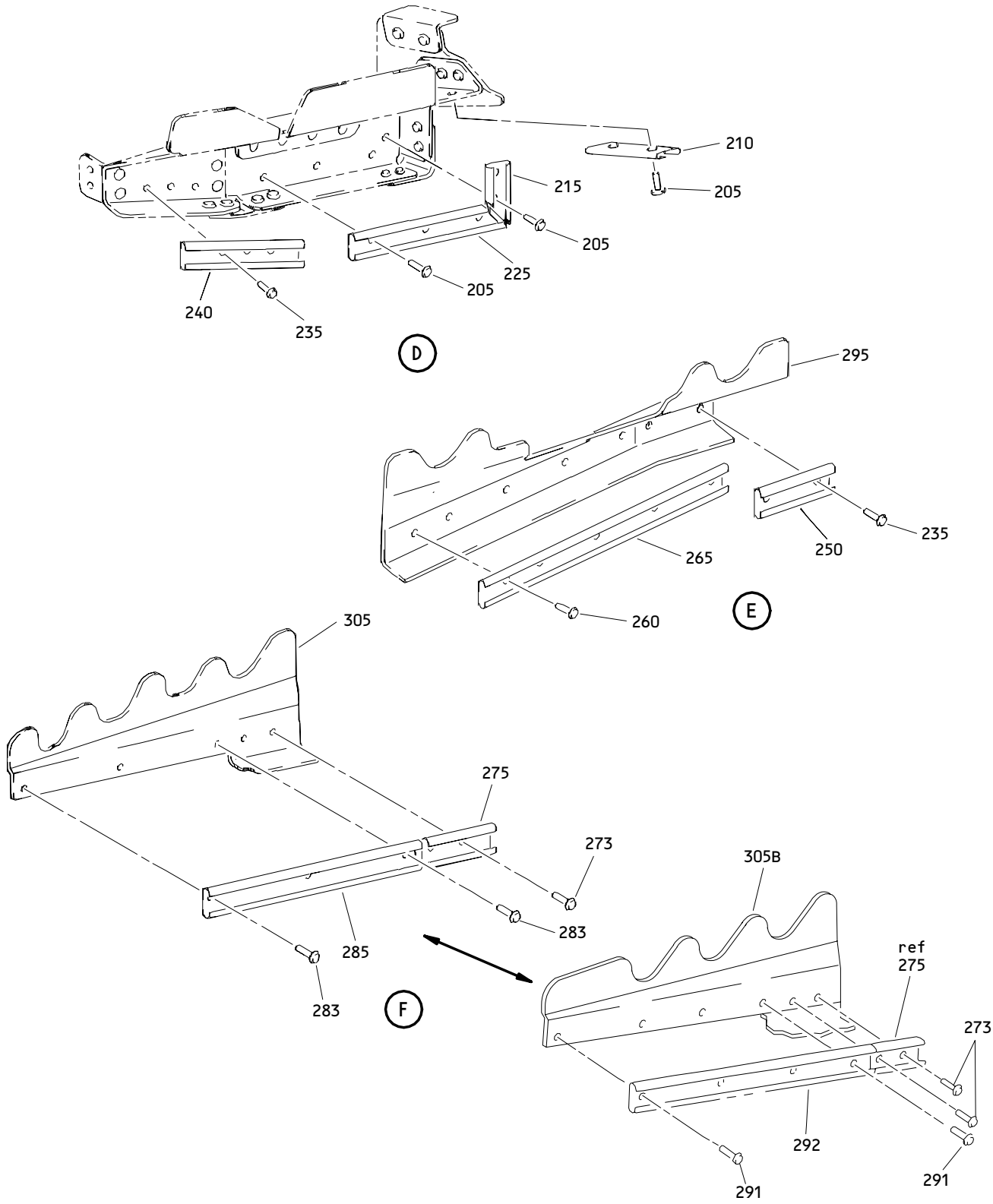
ILLUSTRATED PARTS LIST
01.1 Page 1048B
Jul 01/04



Engine Outboard Side Fan Duct Cowl Upper Bifurcation Seal Installation
 Figure 6 (Sheet 2)

71-11-33

ILLUSTRATED PARTS LIST
 01.1 Page 1048C
 Jul 01/04



Engine Outboard Side Fan Duct Cowl Upper Bifurcation Seal Installation
 Figure 6 (Sheet 3)

71-11-33

ILLUSTRATED PARTS LIST
 01.1 Page 1048D
 Jul 01/04


BOEING
 COMPONENT
 MAINTENANCE MANUAL

FIG. & ITEM	PART NO.	AIRLINE PART NUMBER	NOMENCLATURE 1234567	EFF CODE	QTY PER ASSY
06- -1	315T3318-5007		SEAL INSTL-ENG OUTBD SIDE FAN DUCT COWL UPR BIFURCATION (LIMITED)	A-D,G ,J,K, M,S,U ,AE,A F,AJ AL,AN ,AQ, BA,BC ,BE,B G	RF
-1A	315T3318-5009		SEAL INSTL-ENG OUTBD SIDE FAN DUCT COWL UPR BIFURCATION (LIMITED)	A-D,G ,J,K, M,S,U ,AE,A F,AJ AL,AN ,AQ, BA,BC ,BE,B G	RF
-1B	315T3318-5011		SEAL INSTL-ENG OUTBD SIDE FAN DUCT COWL UPR BIFURCATION (LIMITED)	A-D,G ,J,K, M,S,U ,AE,A F,AJ AL,AN ,AQ, BA,BC ,BE,B G	RF
-1C	315T3318-5013		SEAL INSTL-ENG OUTBD SIDE FAN DUCT COWL UPR BIFURCATION (LIMITED)	A-D,G ,J,K, M,S,U ,AE,A F,AJ AL,AN ,AQ, BA,BC ,BE,B G	RF
-1D	315T3318-207		SEAL INSTL-ENG OUTBD SIDE FAN DUCT COWL UPR BIFURCATION	W,X,A A,AB, AS,AU ,AW,A Y	RF

71-11-33

ILLUSTRATED PARTS LIST

01.1 Page 1048E

Jul 01/04

FIG. & ITEM	PART NO.	AIRLINE PART NUMBER	NOMENCLATURE 1234567	EFF CODE	QTY PER ASSY
06- -1E	315T3318-5015		SEAL INSTL-ENG OUTBD SIDE FAN DUCT COWL UPR BIFURCATION (LIMITED)	A-D,G ,J,K, M,S,U ,AE,A F AJ,AL ,AN,A Q,BA, BC,BE ,BG	RF
-5	315T3318-5008		SEAL INSTL-ENG OUTBD SIDE FAN DUCT COWL UPR BIFURCATION (LIMITED)	E,F,H ,L, N-R,T ,V,AG ,AH,A K AM,AP ,AR,B B,BD, BF,BH	RF
-5A	315T3318-5010		SEAL INSTL-ENG OUTBD SIDE FAN DUCT COWL UPR BIFURCATION (LIMITED)	E,F,H ,L, N-R,T ,V,AG ,AH,A K AM,AP ,AR,B B,BD, BF,BH	RF
-5B	315T3318-208		SEAL INSTL-ENG OUTBD SIDE FAN DUCT COWL UPR BIFURCATION	Y,Z,A C,AD, AT,AV ,AX,A Z	RF
-5C	315T3318-5014		SEAL INSTL-ENG OUTBD SIDE FAN DUCT COWL UPR BIFURCATION (LIMITED)	E,F,H ,L, N-R,T ,V,AG ,AH,A K AM,AP ,AR,B B,BD, BF,BH	RF

71-11-33

ILLUSTRATED PARTS LIST

01.1 Page 1048F

Jul 01/04

BOEING
 COMPONENT
 MAINTENANCE MANUAL

FIG. & ITEM	PART NO.	AIRLINE PART NUMBER	NOMENCLATURE	EFF CODE	QTY PER ASSY
06-10	8425-180		.SEAL- (V11960) (SPEC S315T107-180) (8425-180 MAY REPLACE 8425-65 TOGETHER WITH 8425-53, 8425-55, 8425-57, 8425-59, 8425-61 AND 8425-63)	A-D,G ,J,K, M,S,U ,AE,A F,AJ AL,AN ,AQ, BA,BC ,BE,B G	1
-15	8425-181		.SEAL- (V11960) (SPEC S315T107-181) (8425-181 MAY REPLACE 8425-65 TOGETHER WITH 8425-54, 8425-56, 8425-58, 8425-60, 8425-62 AND 8425-64)	E,F,H ,L, N-R,T ,V,AG ,AH,A K AM,AP ,AR,B B,BD, BF,BH	1
20	8425-182		.SEAL- (V11960) (SPEC S315T107-182)	A-D,G ,J,K, M,S,U ,AE,A F,AJ AL,AN ,AQ, BA,BC ,BE,B G	1
-25	8425-183		.SEAL- (V11960) (SPEC S315T107-183)	E,F,H ,L, N-R,T ,V,AG ,AH,A K AM,AP ,AR,B B,BD, BF,BH	1
27	315T3318-179		.SEAL- (USED ON ITEMS 1A, 1C, 1E, 5C)	A-V,A E-AR, BA-BH	1
-27A	315T3318-179		DELETED		
28	S315T107-209		DELETED		

71-11-33

ILLUSTRATED PARTS LIST
 01.1 Page 1048G
 Jul 01/04

FIG. & ITEM	PART NO.	AIRLINE PART NUMBER	NOMENCLATURE 1234567	EFF CODE	QTY PER ASSY
06-28A	8425-209		.SEAL- (V11960) (SPEC S315T107-209) (OPT ITEM 28D)	W,X,A A,AB, AS,AU ,AW,A Y	1
-28B	S315T107-221		DELETED		
-28C	8425-221		DELETED		
-28D	B150-221		.SEAL- (V04827) (SPEC S315T107-221) (OPT 8425-221 (V11960)) (OPT ITEM 28A)	W,X,A A,AB, AS,AU ,AW,A Y	1
-29	S315T107-210		DELETED		
-29A	8425-210		.SEAL- (V11960) (SPEC S315T107-210) (OPT ITEM 29D)	Y,Z,A C,AD, AT,AV ,AX,A Z	1
-29B	S315T107-222		DELETED		
-29C	8425-222		DELETED		
-29D	B150-222		.SEAL- (V04827) (SPEC S315T107-222) (OPT 8425-222 (V11960)) (OPT ITEM 29A)	Y,Z,A C,AD, AT,AX ,AZ	1
30	315T3319-25		.SUPPORT ASSY	A-D,G ,J,K, M,S,U ,W,X, AA,AB AE,AF ,AJ,A L,AN, AQ,AS ,AU AW,AY ,BA,B C,BE, BG	1

71-11-33

 ILLUSTRATED PARTS LIST
 01.1 Page 1048H
 Jul 01/04

BOEING
 COMPONENT
 MAINTENANCE MANUAL

FIG. & ITEM	PART NO.	AIRLINE PART NUMBER	NOMENCLATURE	EFF CODE	QTY PER ASSY
06-35	315T3319-26		.SUPPORT ASSY	E, F, H , L, N-R, T , V, Y, Z, AC, AD AG, AH , AK, A M, AP, AR, AT , AV AX, AZ , BB, B D, BF, BH	1
40	BACR15CE3M		..RIVET- (SIZE DETERMINE ON INST)		3
45	315T3319-6		..RETAINER	A-D, G , J, K, M, S, U , W, X, AA, AB AE, AF , AJ, A L, AN, AQ, AS , AU AW, AY , BA, B C, BE, BG	1

71-11-33

ILLUSTRATED PARTS LIST
 01.1 Page 1048I
 Jul 01/04

FIG. & ITEM	PART NO.	AIRLINE PART NUMBER	NOMENCLATURE	EFF CODE	QTY PER ASSY
06-50	315T3319-7		1234567 ..RETAINER	E, F, H L, N-R, T V, Y, Z, AC, AD AG, AH AK, A M, AP, AR, AT AV AX, AZ BB, B D, BF, BH	1
55 60	315T3319-8 315T3319-31		..SHEET .BRACKET ASSY- (USED ON ITEMS 1, 1B, 1E)	A-D, G J, K, M, S, U AE, A F, AJ AL, AN AQ, BA, BC BE, B G	1 1
-60A	315T3319-53		.BRACKET ASSY- (USED ON ITEMS 1A, 1C)	A-D, G J, K, M, S, U W, X, AA, AB AE, AF AJ, A L, AN, AQ, AS AU AW, AY BA, B C, BE, BG	1

71-11-33

ILLUSTRATED PARTS LIST

01.1 Page 1048J

Jul 01/04

BOEING
 COMPONENT
 MAINTENANCE MANUAL

FIG. & ITEM	PART NO.	AIRLINE PART NUMBER	NOMENCLATURE	EFF CODE	QTY PER ASSY
06-65	BACS12CK06U5		.SCREW	A-D,G ,J,K, M,S,U ,W,X, AA,AB AE,AF ,AJ,A L,AN, AQ,AS ,AU AW,AY ,BA,B C,BE, BG	2
70	AN960C6		.WASHER	A-D,G ,J,K, M,S,U ,W,X, AA,AB AE,AF ,AJ,A L,AN, AQ,AS ,AU AW,AY ,BA,B C,BE, BG	2
75	315T3319-32		-----*----- .BRACKET	A-D,G ,J,K, M,S,U ,W,X, AA,AB AE,AF ,AJ,A L,AN, AQ,AS ,AU AW,AY ,BA,B C,BE, BG	1

71-11-33

ILLUSTRATED PARTS LIST
 01.1 Page 1048K
 Jul 01/04

FIG. & ITEM	PART NO.	AIRLINE PART NUMBER	NOMENCLATURE 1234567	EFF CODE	QTY PER ASSY
06-80	315T3319-20		..SHEET	A-D,G ,J,K, M,S,U ,W,X, AA,AB AE,AF ,AJ,A L,AN, AQ,AS ,AU AW,AY ,BA,B C,BE, BG	1
85	315T3319-47		.SUPPORT ASSY- (USED ON ITEMS 1, 1B)	A-D,G ,J,K, M,S,U ,AE,A F,AJ AL,AN ,AQ, BA,BC ,BE,B G	1
-85A	315T3319-47		DELETED		
-85B	315T3319-51		DELETED		
-85C	315T3319-51		.SUPPORT ASSY- (USED ON ITEMS 1A, 1C, 1E)	A-D,G ,J,K, M,S,U ,AE,A F,AJ AL,AN ,AQ, BA,BC ,BE,B G	1
-85D	315T3319-61		DELETED		

71-11-33

ILLUSTRATED PARTS LIST

01.1 Page 1048L

Jul 01/04

BOEING
 COMPONENT
 MAINTENANCE MANUAL

FIG. & ITEM	PART NO.	AIRLINE PART NUMBER	NOMENCLATURE 1234567	EFF CODE	QTY PER ASSY
06- -85E	315T3319-63		.SUPPORT ASSY- (LIMITED)	W,X,A A,AB, AS,AU ,AW,A Y	1
-85F	315T3319-67		.SUPPORT ASSY- (LIMITED)	W,X,A A,AB, AS,AU ,AW,A Y	1
-90	315T3319-48		.SUPPORT ASSY	E,F,H L, N-R,T ,V,AG ,AH,A K AM,AP ,AR,B B,BD, BF,BH	1
-90A	315T3319-60		DELETED		
-90B	315T3319-64		.SUPPORT ASSY- (LIMITED)	Y,Z,A C,AD, AT,AV ,AX,A Z	1
-90C	315T3319-68		.SUPPORT ASSY- (LIMITED)	Y,Z,A C,AD, AT,AV ,AX,A Z	1
95	BACS12CK06U5		ATTACHING PARTS .SCREW		2
100	AN760C6		DELETED		
100A	AN960C6		.WASHER		2

71-11-33

ILLUSTRATED PARTS LIST
 01.1 Page 1048M
 Jul 01/04

FIG. & ITEM	PART NO.	AIRLINE PART NUMBER	NOMENCLATURE 1234567	EFF CODE	QTY PER ASSY
06-105	BRH10C06		.NUT- (V52828) (SPEC BACN10JC06C) (OPT 97-62 (V80539)) (OPT 101LH9075-62W (V72962)) (OPT VN303B62 (V92215)) (OPT NS202101S62 (V80539)) (OPT H31-06BAC (V15653)) (OPT T6C632J (V11815)) -----*		2
110	BACR15CE3M		..RIVET- (SIZE DETERMINE ON INST)	A-D,G ,J,K, M,S,U ,W,X, AA,AB AE,AF ,AJ,A L,AN, AQ,AS ,AU AW,AY ,BA,B C,BE, BG	4

71-11-33

 ILLUSTRATED PARTS LIST
 01.1 Page 1048N
 Jul 01/04

BOEING
 COMPONENT
 MAINTENANCE MANUAL

FIG. & ITEM	PART NO.	AIRLINE PART NUMBER	NOMENCLATURE	EFF CODE	QTY PER ASSY
06-115	BRM100C06LM		1234567 ..NUTPLATE- (V52828) (SPEC BACN10JP06BCM) (OPT MK2001-06BAC (V15653)) (OPT NS103198SE62 (V80539)) (OPT T8081C632 (V11815)) (OPT VN201D1-62L (V92215)) (OPT 109A9207M62 (V72962))	A-D,G ,J,K, M,S,U ,W,X, AA,AB AE,AF ,AJ,A L,AN, AQ,AS ,AU AW,AY ,BA,B C,BE, BG	2
120	BACR15CE3M		..RIVET- (SIZE DETERMINE ON INST)	A-D,G ,J,K, M,S,U ,W,X, AA,AB AE,AF ,AJ,A L,AN, AQ,AS ,AU AW,AY ,BA,B C,BE, BG	7
-125	MS20615-3M		..RIVET- (SIZE DETERMINE ON INST)	E,F,H ,L, N-R,T ,V,Y, Z,AC, AD AG,AH ,AK,A M,AP, AR,AT ,AV AX,AZ ,BB,B D,BF, BH	7

71-11-33

ILLUSTRATED PARTS LIST
 01.1 Page 10480
 Jul 01/04

FIG. & ITEM	PART NO.	AIRLINE PART NUMBER	NOMENCLATURE 1234567	EFF CODE	QTY PER ASSY
06-					
130	315T3319-42		..CHANNEL		1
135	315T3319-43		..CHANNEL-		1
			(USED ON ITEMS 85E, 90B)		
-135A	315T3319-69		..CHANNEL-	W-AD,	1
			(USED ON ITEMS 85F, 90C)	AS-AZ	
140	315T3319-44		..CHANNEL		1
145	315T3319-41		..SHEET-	A-D,G	1
			(USED ON ITEM 85)	,J,K, M,S,U ,AE,A F,AJ AL,AN ,AQ, BA,BC ,BE,B G	
-145A	315T3319-52		..SHEET-	A-D,G	1
			(USED ON ITEMS 85C, 85D)	,J,K, M,S,U ,W,X, AA,AB AE,AF ,AJ,A L,AN, AQ,AS ,AU AW,AY ,BA,B C,BE, BG	

71-11-33

ILLUSTRATED PARTS LIST

01.1 Page 1048P

Jul 01/04

BOEING
 COMPONENT
 MAINTENANCE MANUAL

FIG. & ITEM	PART NO.	AIRLINE PART NUMBER	NOMENCLATURE	EFF CODE	QTY PER ASSY
06-150	315T3319-13		1234567 ..SHEET- (USED ON ITEMS 85)	A-D,G ,J,K, M,S,U ,AE,A F,AJ AL,AN ,AQ, BA,BC ,BE,B G	1
155	315T3319-49		..SHEET	A-D,G ,J,K, M,S,U ,AE,A F,AJ AL,AN ,AQ, BA,BC ,BE,B G	1
-155A	315T3319-59		DELETED		
-155B	315T3319-65		..SHEET	W,X,A A,AB, AS,AU ,AW,A Y	1
-160	315T3319-50		..SHEET	E,F,H ,L, N-R,T ,V,AG ,AH,A K AM,AP ,AR,B B,BD, BF,BH	1
-160A	315T3319-60		DELETED		
-160B	315T3319-66		..SHEET	Y,Z,A C,AD, AT,AV ,AX,A Z	1

71-11-33

ILLUSTRATED PARTS LIST
 01.1 Page 1048Q
 Jul 01/04

FIG. & ITEM	PART NO.	AIRLINE PART NUMBER	NOMENCLATURE 1234567	EFF CODE	QTY PER ASSY
06-165	315T3318-135		.FAIRING ASSY	A-D,G ,J,K, M,S,U ,AE,A F,AJ AL,AN ,AQ, BA,BC ,BE,B G	1
-165A -170	315T3318-217 315T3318-136		DELETED .FAIRING ASSY	E,F,H ,L, N-R,T ,V,AG ,AH,A K AM,AP ,AR,B B,BD, BF,BH	1
-170A 175	315T3318-218 BACR15CE3M		DELETED ..RIVET- (SIZE DETERMINE ON INST)	A-V,A E-AR, BA-BH	3
180	315T3318-143		..RETAINER- (MFD FROM CRES SH BAC1494-193 F-17.09 X 3.7)	A-D,G ,J,K, M,S,U ,AE,A F,AJ AL,AN ,AQ, BA,BC ,BE,B G	1
-185	315T3318-144		..RETAINER- (MFD FROM CRES SH BAC1494-193 F-17.09 X 3.7)	E,F,H ,L, N-R,T ,V,AG ,AH,A K AM,AP ,AR,B B,BD, BF,BH	1

71-11-33

 ILLUSTRATED PARTS LIST
 01.1 Page 1048R
 Jul 01/04


BOEING
 COMPONENT
 MAINTENANCE MANUAL

FIG. & ITEM	PART NO.	AIRLINE PART NUMBER	NOMENCLATURE 1234567	EFF CODE	QTY PER ASSY
06-187	315T3318-113		..FAIRING	A-D,G ,J,K, M,S,U ,AE,A F,AJ AL,AN ,AQ, BA,BC ,BE,B G	1
-187A	315T3318-215		DELETED		
-190	315T3318-114		..FAIRING	E,F,H ,L, N-R,T ,V,AG ,AH,A K AM,AP ,AR,B B,BD, BF,BH	1
-190A	315T3318-216		DELETED		
191	BACR15CE3M		.RIVET- (SIZE DETERMINE ON INST)	W-AD, AS-AZ	3
192	315T3318-143		.RETAINER- (MFD FROM CRES SH BAC1494-193 F-17.09 X 3.7)	W,X,A A,AB, AS,AU ,AW,A Y	1
-192N	315T3318-144		.RETAINER- (MFD FROM CRES SH BAC1494-193 F-17.09 X 3.7)	Y,Z,A C,AD, AT,AV ,AX,A Z	1
193	315T3318-227		.ANGLE	W,X,A A,AB, AS,AU ,AW,A Y	1
-193N	315T3318-228		.ANGLE	Y,Z,A C,AD, AT,AV ,AX,A Z	1

71-11-33

ILLUSTRATED PARTS LIST

01.1 Page 1048S

Jul 01/04

FIG. & ITEM	PART NO.	AIRLINE PART NUMBER	NOMENCLATURE 1234567	EFF CODE	QTY PER ASSY
06-195	315T3318-163		.FAIRING ASSY- (USED ON ITEM 1)	A-D,G ,J,K, M,S,U ,AE,A F,AJ AL,AN ,AQ, BA,BC ,BE,B G	1
-195A	315T3318-167		DELETED		
-195B	315T3318-169		.FAIRING ASSY- (USED ON ITEMS 1B)	A-D,G ,J,K, M,S,U ,AE,A F,AJ AL,AN ,AQ, BA,BC ,BE,B G	1
-195C	315T3318-185		.FAIRING ASSY- (USED ON ITEMS 1C, 1E)	A-D,G ,J,K, M,S,U ,AE,A F,AJ AL,AN ,AQ, BA,BC ,BE,B G	1
-195D	315T3318-183		.FAIRING ASSY- (USED ON ITEM 1A)	A-D,J ,K,M, S,U,A E,AF, AJ AL,AN ,AQ, BA,BC ,BE,B G	1

71-11-33

ILLUSTRATED PARTS LIST

01.1 Page 1048T

Jul 01/04


BOEING
 COMPONENT
 MAINTENANCE MANUAL

FIG. & ITEM	PART NO.	AIRLINE PART NUMBER	NOMENCLATURE 1234567	EFF CODE	QTY PER ASSY
06-					
-195E	315T3318-209		DELETED		
-195F	315T3318-185		DELETED		
-195G	315T3318-225		.SUPPORT ASSY	W,X,A A,AB, AS,AU ,AW,A Y	1
-200	315T3318-164		.FAIRING ASSY- (USED ON ITEM 5)	E,F,H ,L, N-R,T ,V,AG ,AH,A K AM,AP ,AR,B B,BD, BF,BH	1
-200A	315T3318-170		.FAIRING ASSY- (USED ON ITEM 5A)	E,F,H ,L, N-R,T ,V,AG ,AH,A K AM,AP ,AR,B B,BD, BF,BH	1
-200B	315T3318-186		.FAIRING ASSY- (USED ON ITEMS 5A)	E,F,H ,L, N-R,T ,V,AG ,AH,A K AM,AP ,AR,B B,BD, BF,BH	1
-200C	315T3318-210		DELETED		
-200D	315T3318-224		.SUPPORT ASSY	Y,Z,A C,AD, AT,AV ,AX,A Z	1

71-11-33

ILLUSTRATED PARTS LIST

01.1 Page 1048U

Jul 01/04

FIG. & ITEM	PART NO.	AIRLINE PART NUMBER	NOMENCLATURE 1234567	EFF CODE	QTY PER ASSY
06-205	MS20615-3M		..RIVET- (SIZE DETERMINE ON INST)		7
210	315T3318-157		..RETAINER- (MFD FROM CRES SH BAC1494-193 F-17.09 X 2.5)		1
215	315T3318-151		..RETAINER- (MFD FROM CRES SH BAC1494-193 F-17.09 X 2.2)	A-D,G ,J,K, ,M,S,U ,W,X, AA,AB AE,AF ,AJ,A L,AN, AQ,AS ,AU AW,AY ,BA,B C,BE, BG E,F,H ,L, N-R,T ,V,Y, Z,AC, AD AG,AH ,AK,A M,AP, AR,AT ,AV AX,AZ ,BB,B D,BF, BH	1
-220	315T3318-152		..RETAINER- (MFD FROM CRES SH BAC1494-193 F-17.09 X 2.2)		1

71-11-33

ILLUSTRATED PARTS LIST

01.1 Page 1048V

Jul 01/04


BOEING
 COMPONENT
 MAINTENANCE MANUAL

FIG. & ITEM	PART NO.	AIRLINE PART NUMBER	NOMENCLATURE	EFF CODE	QTY PER ASSY
06-225	315T3318-153		1234567 ..RETAINER- (MFD FROM CRES SH BAC1494-193 F-17.09 X 5.1)	A-D,G ,J,K, M,S,U ,W,X, AA,AB AE,AF ,AJ,A L,AN, AQ,AS ,AU AW,AY ,BA,B C,BE, BG	1
-230	315T3318-154		..RETAINER- (MFD FROM CRES SH BAC1494-193 F-17.09 X 5.1)	E,F,H ,L, N-R,T ,V,Y, Z,AC, AD AG,AH ,AK,A M,AP, AR,AT ,AV AX,AZ ,BB,B D,BF, BH	1

71-11-33

ILLUSTRATED PARTS LIST

01.1 Page 1048W

Jul 01/04

FIG. & ITEM	PART NO.	AIRLINE PART NUMBER	NOMENCLATURE	EFF CODE	QTY PER ASSY
			1234567		
06-235	MS20615-3M		..RIVET- (SIZE DETERMINE ON INST)		5
240	315T3318-149		..RETAINER- (MFD FROM CRES SH BAC1494-193 F-17.09 X 3.8)	A-D,G ,J,K, M,S,U ,W,X, AA,AB AE,AF ,AJ,A L,AN, AQ,AS ,AU AW,AY ,BA,B C,BE, BG E,F,H ,L, N-P,T ,V,Y, Z,AC, AD AG,AH ,AK,A M,AP, AR,AT ,AV AX,AZ ,BB,B D,BF, BH	1
-245	315T3318-150		..RETAINER- (MFD FROM CRES SH BAC1494-193 F-17.09 X 3.8)		1

71-11-33

 ILLUSTRATED PARTS LIST
 01.1 Page 1048X
 Jul 01/04

BOEING
 COMPONENT
 MAINTENANCE MANUAL

FIG. & ITEM	PART NO.	AIRLINE PART NUMBER	NOMENCLATURE	EFF CODE	QTY PER ASSY
06-250	315T3318-147		1234567 ..RETAINER- (MFD FROM CRES SH BAC1494-193 F-17.09 X 3.0)	A-D,G ,J,K, M,S,U ,W,X, AA,AB AE,AF ,AJ,A L,AN, AQ,AS ,AU AW,AY ,BA,B C,BE, BG	1
-255	315T3318-148		..RETAINER- (MFD FROM CRES SH BAC1494-193 F-17.09 X 3.0)	E,F,H ,L, N-P,T ,V,Y, Z,AC, AD AG,AH ,AK,A M,AP, AR,AT ,AV AX,AZ ,BB,B D,BF, BH	1
260	MS20615-3M		..RIVET- (SIZE DETERMINE ON INST)		5
265	315T3318-145		..RETAINER- (MFD FROM CRES SH BAC1494-193 F-17.09 X 10.7)	A-D,G ,J,K, M,S,U ,W,X, AA,AB AE,AF ,AJ,A L,AN, AQ,AS ,AU AW,AY ,BA,B C,BE, BG	1

71-11-33

ILLUSTRATED PARTS LIST
 01.1 Page 1048Y
 Jul 01/04

FIG. & ITEM	PART NO.	AIRLINE PART NUMBER	NOMENCLATURE	EFF CODE	QTY PER ASSY
06- -270	315T3318-146		1234567 ..RETAINER- (MFD FROM CRES SH BAC1494-193 F-17.09 X 10.7)	E,F,H ,L, N-R,T ,V,Y, Z,AC, AD AG,AH ,AK,A M,AP, AR,AT ,AV AX,AZ ,BB,B D,BF, BH	1
273	MS20615-3M		..RIVET- (SIZE DETERMINE ON INST)		2
275	315T3318-141		..RETAINER- (MFD FROM CRES SH BAC1494-193 F-17.09 X 2.4)	A-D,G ,J,K, M,S,U ,W,X, AA,AB AE,AF ,AJ,A L,AN, AQ,AS ,AU AW,AY ,BA,B C,BE, BG	1

71-11-33

ILLUSTRATED PARTS LIST

01.1 Page 1048Z

Jul 01/04

BOEING
 COMPONENT
 MAINTENANCE MANUAL

FIG. & ITEM	PART NO.	AIRLINE PART NUMBER	NOMENCLATURE 1234567	EFF CODE	QTY PER ASSY
06- -280	315T3318-142		..RETAINER- (MFD FROM CRES SH BAC1494-193 F-17.09 X 2.4)	E,F,H ,L, N-R,T ,V,Y, Z,AC, AD AG,AH ,AK,A M,AP, AR,AT ,AV AX,AZ ,BB,B D,BF, BH	1
283	MS20615-3M		..RIVET- (SIZE DETERMINE ON INST)	A-V,A E-AR, BA-BH	3
285	315T3318-139		..RETAINER- (MFD FROM CRES SH BAC1494-193 F-17.09 X 7.1)	A-D,G ,J,K, M,S,U ,AE,A F,AJ AL,AN ,AQ, BA,BC ,BE,B G	1
-290 -290A	315T3318-142 315T3318-140		DELETED ..RETAINER- (MFD FROM CRES SH BAC1494-193 F-17.09 X 7.1)	E,F,H ,L, N-R,T ,V,AG ,AH,A K AM,AP ,AR,B B,BD, BF,BH	1

71-11-33

ILLUSTRATED PARTS LIST

01.1

Page 1049

Jul 01/04

FIG. & ITEM	PART NO.	AIRLINE PART NUMBER	NOMENCLATURE 1234567	EFF CODE	QTY PER ASSY
06-291	MS20615-3M		..RIVET- (SIZE DETERMINE ON INST)	W-AD, AS-AZ	4
292	315T3318-213		..RETAINER- (MFD FROM CRES SH BAC1494-193 F-17.09 X 6.3)	W,X,A A,AB, AS,AU ,AW,A Y	1
-293	315T3318-214		..RETAINER- (MFD FROM CRES SH BAC1494-193 F-17.09 X 7.1)	Y,Z,A C,AD, AT,AV ,AX,A Z	1
295	315T3318-105		..FAIRING	A-D,G ,J,K, M,S,U ,W,X, AA,AB AE,AF ,AJ,A L,AN, AQ,AS ,AU AW,AY ,BA,B C,BE, BG	1
-300	315T3318-106		..FAIRING	E,F,H ,L, N-R,T ,V,Y, Z,AC, AD AG,AH ,AK,A M,AP, AR,AT ,AV AX,AZ ,BB,B D,BF, BH	1

71-11-33

ILLUSTRATED PARTS LIST

01.1

Page 1050

Jul 01/04

BOEING
 COMPONENT
 MAINTENANCE MANUAL

FIG. & ITEM	PART NO.	AIRLINE PART NUMBER	NOMENCLATURE	EFF CODE	QTY PER ASSY
06-305	315T3318-107		1234567 ..FAIRING- (USED ON ITEM 195)	A-D,G ,J,K, M,S,U ,AE,A F,AJ AL,AN ,AQ, BA,BC ,BE,B G	1
-305A	315T3318-171		..FAIRING- (USED ON ITEMS 195B, 195C, 195D)	A-D,G ,J,K, M,S,U ,AE,A F,AJ AL,AN ,AQ, BA,BC ,BE,B G	1
305B	315T3318-211		..FAIRING	W,X,A A,AB, AS,AU ,AW,A Y	1
-310	315T3318-108		..FAIRING- (USED ON ITEM 200)	E,F,H ,L, N-R,T ,V,AG ,AH,A K AM,AP ,AR,B B,BD, BF,BH	1

71-11-33

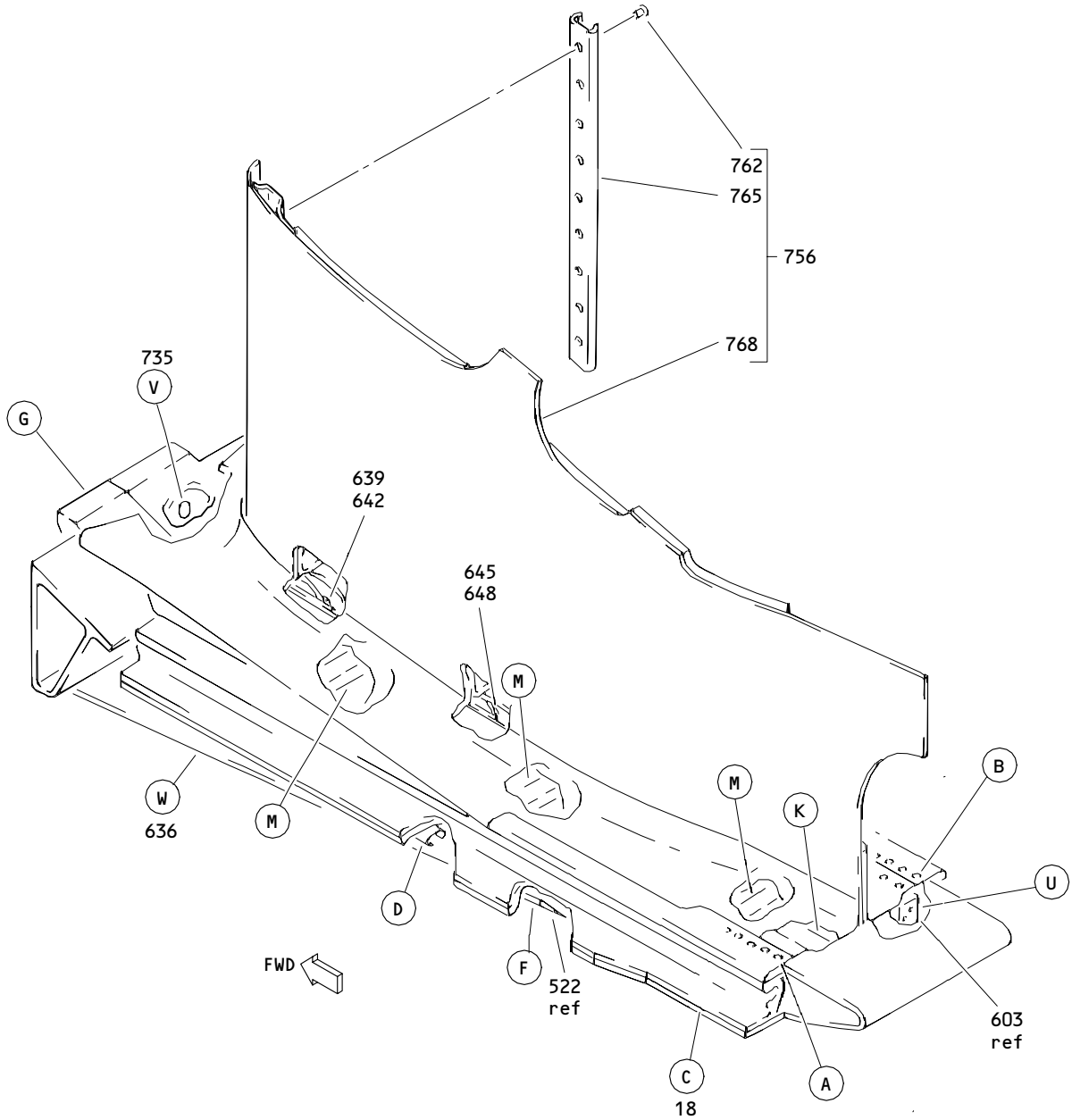
ILLUSTRATED PARTS LIST
 01.1 Page 1050A
 Jul 01/04

FIG. & ITEM	PART NO.	AIRLINE PART NUMBER	NOMENCLATURE	EFF CODE	QTY PER ASSY
06- -310A	315T3318-172		1234567 ..FAIRING- (USED ON ITEMS 200A, 200B)	E,F,H ,L, N-P,T ,V,AG ,AH,A K AM,AP ,AR,B B,BD, BF,BH	1
-310B	315T3318-212		..FAIRING	Y,Z,A C,AD, AT,AV ,AX,A Z	1

- Item Not Illustrated

71-11-33

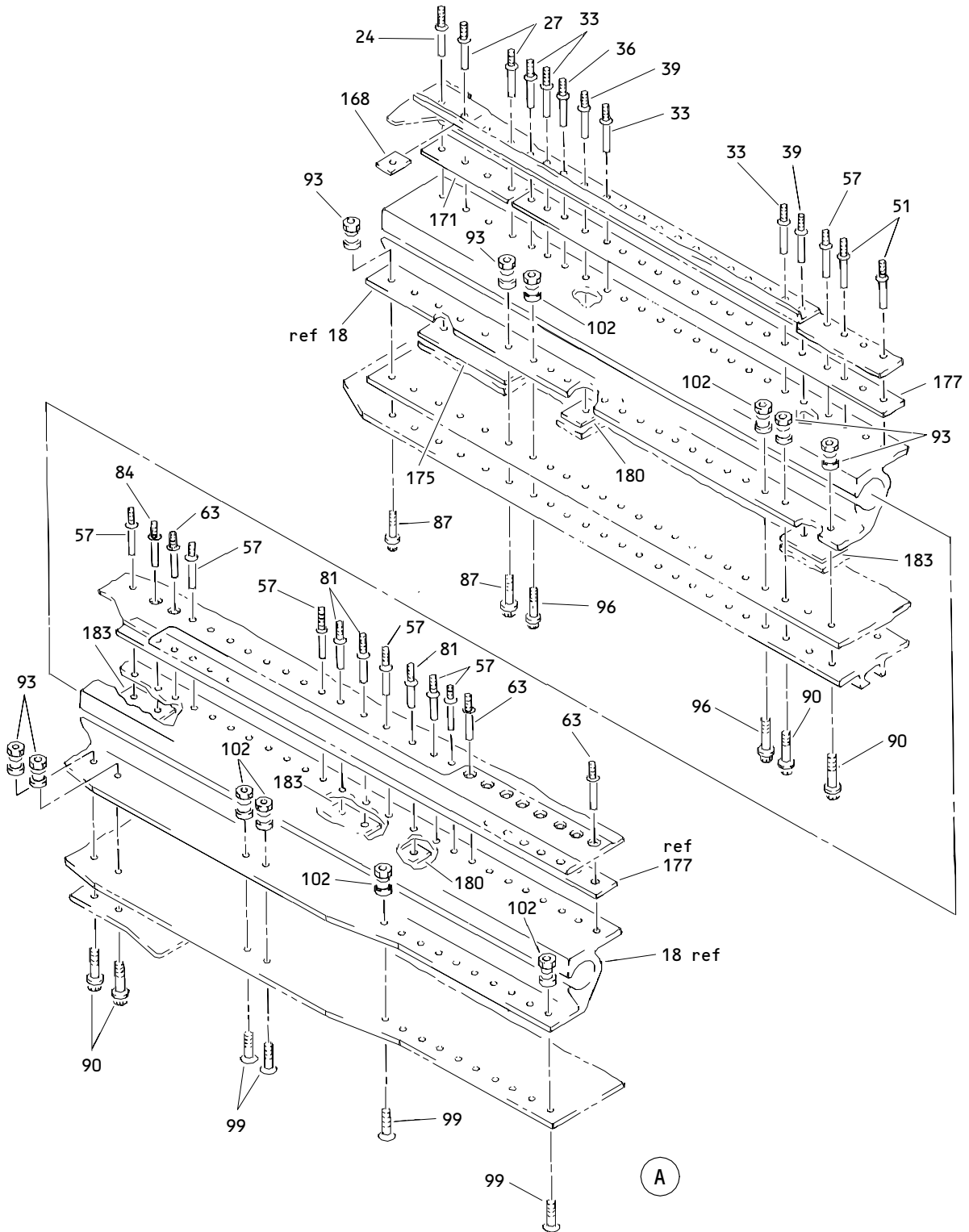
ILLUSTRATED PARTS LIST
 01.1 Page 1050B
 Jul 01/04



Lower LH and RH Bifurcation Assembly
 Figure 7 (Sheet 1)

71-11-33

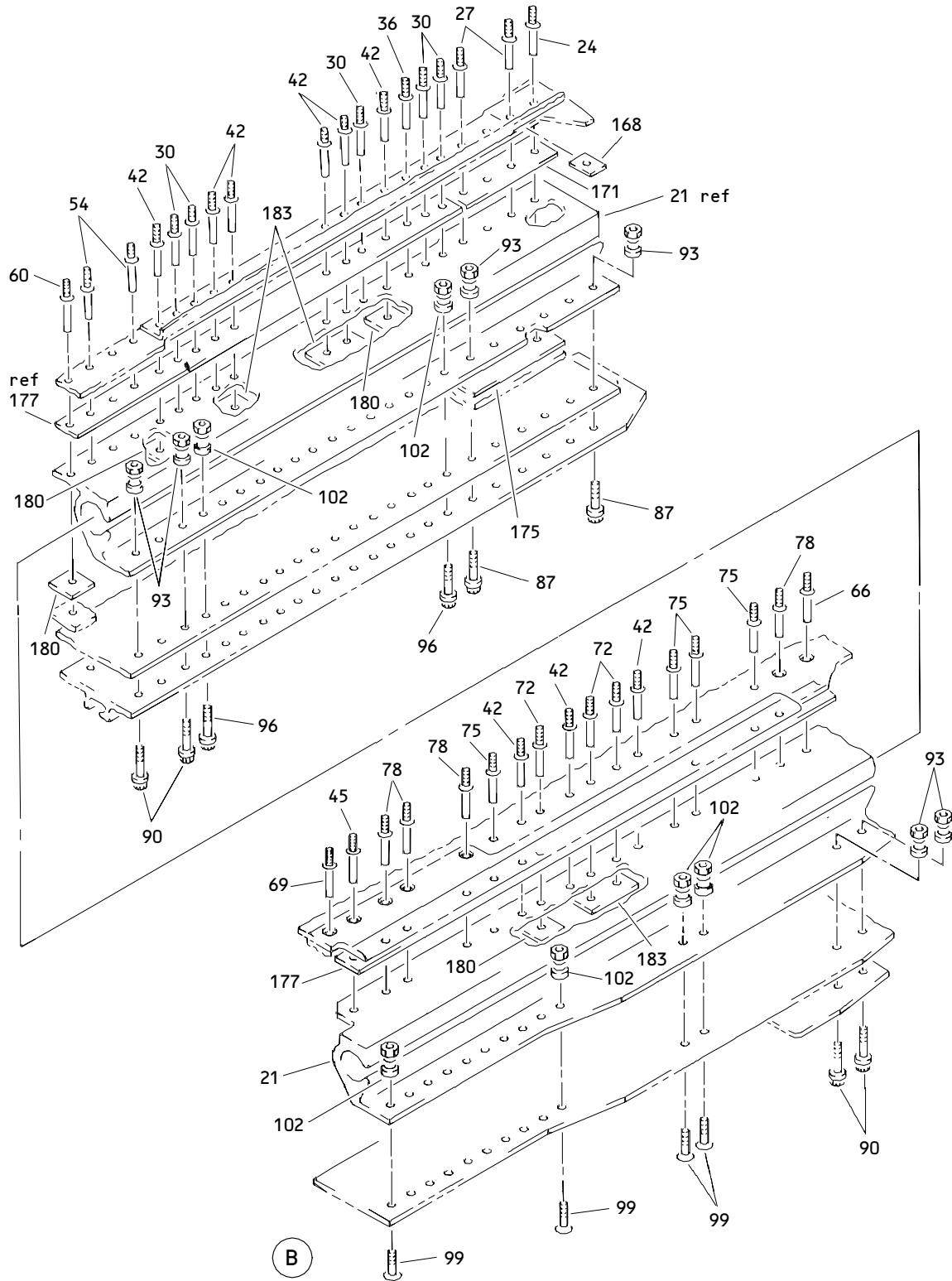
ILLUSTRATED PARTS LIST
 01.1 Page 1050D
 Jul 01/04



Lower LH and RH Bifurcation Assembly
Figure 7 (Sheet 2)

71-11-33

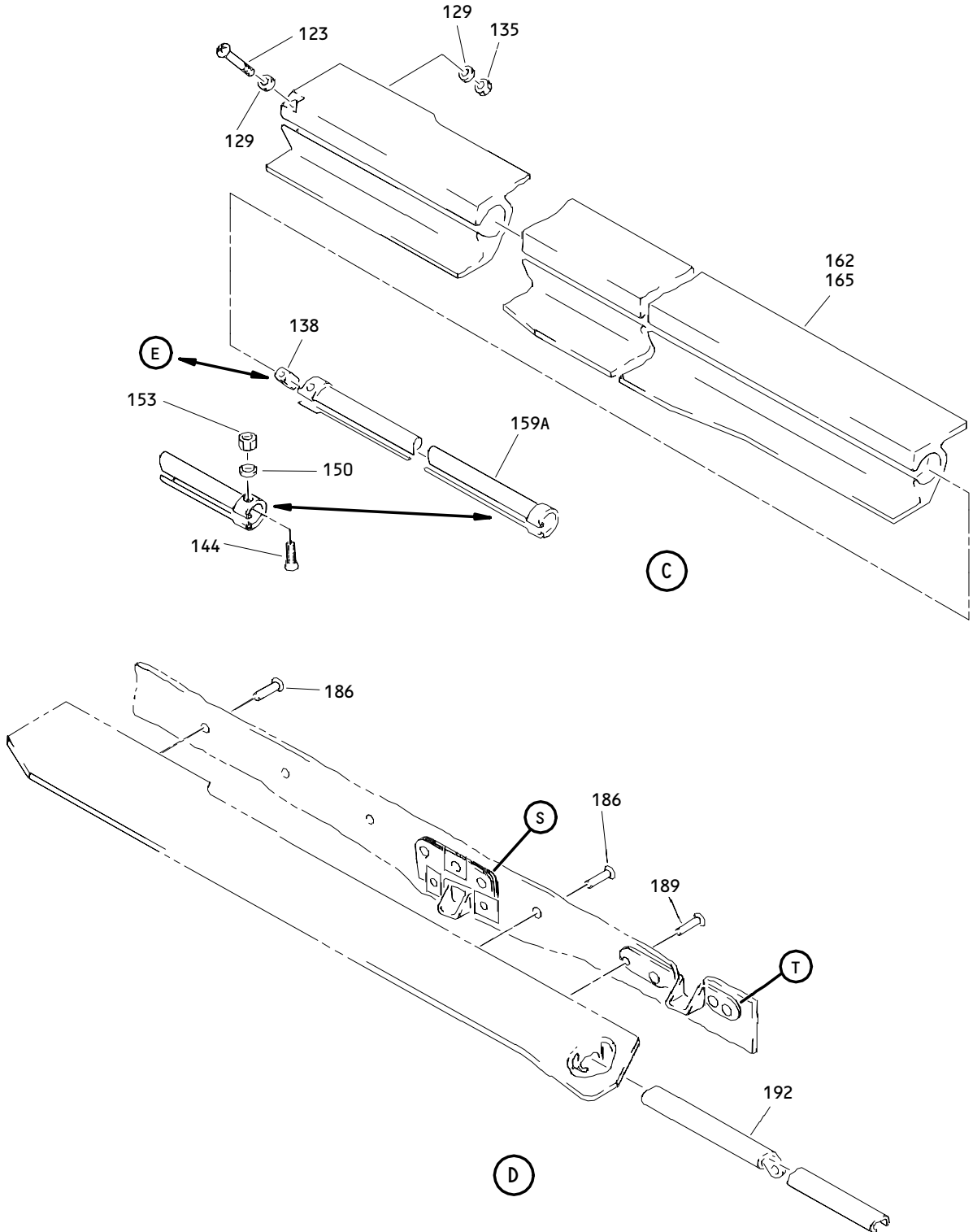
ILLUSTRATED PARTS LIST
01.1 Page 1050E
Jul 01/04

**COMPONENT
MAINTENANCE MANUAL**


Lower LH and RH Bifurcation Assembly
Figure 7 (Sheet 3)

71-11-33

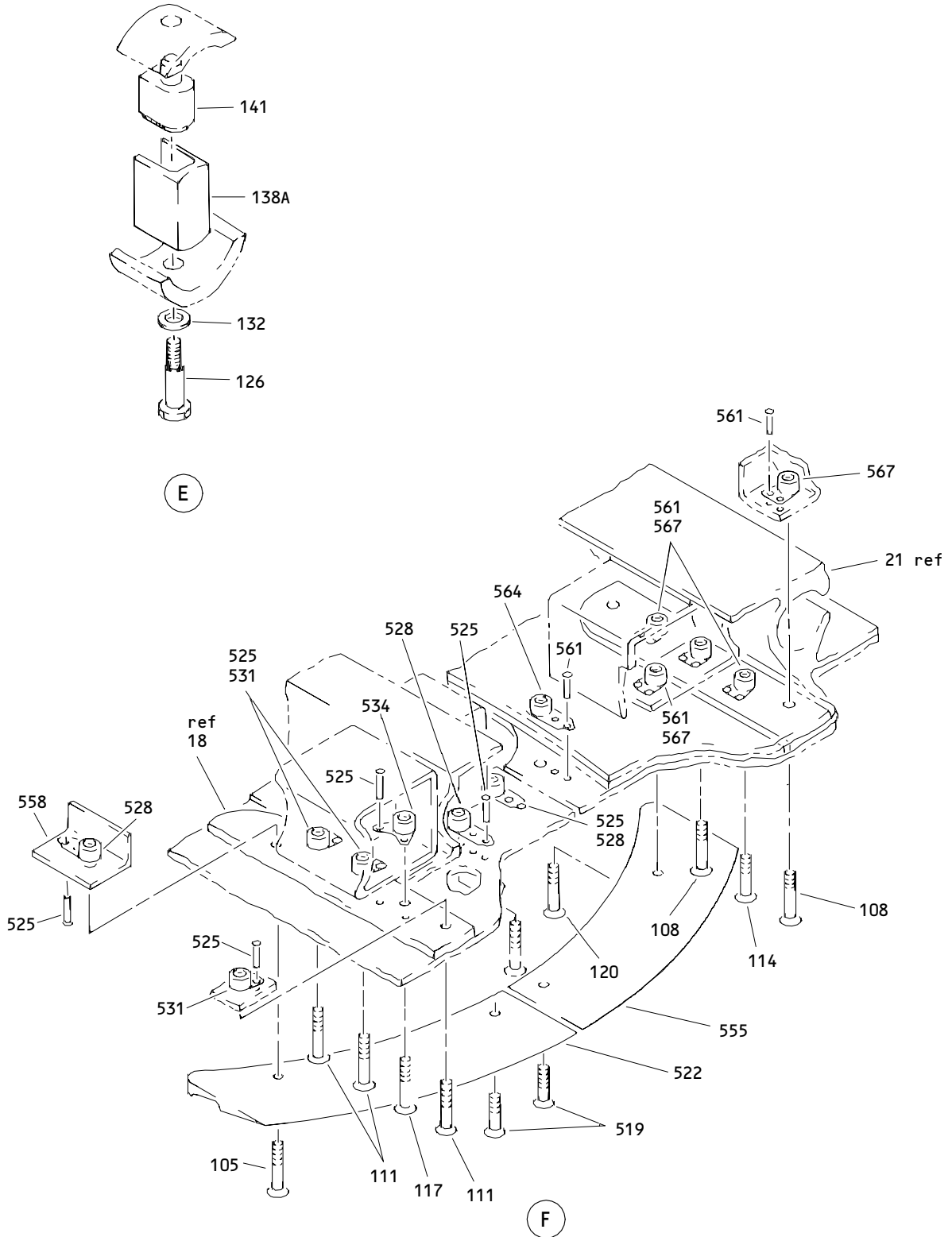
ILLUSTRATED PARTS LIST
01.1 Page 1050F
Jul 01/04



Lower Left Side and Right Side Bifurcation Assembly
Figure 7 (Sheet 4)

71-11-33

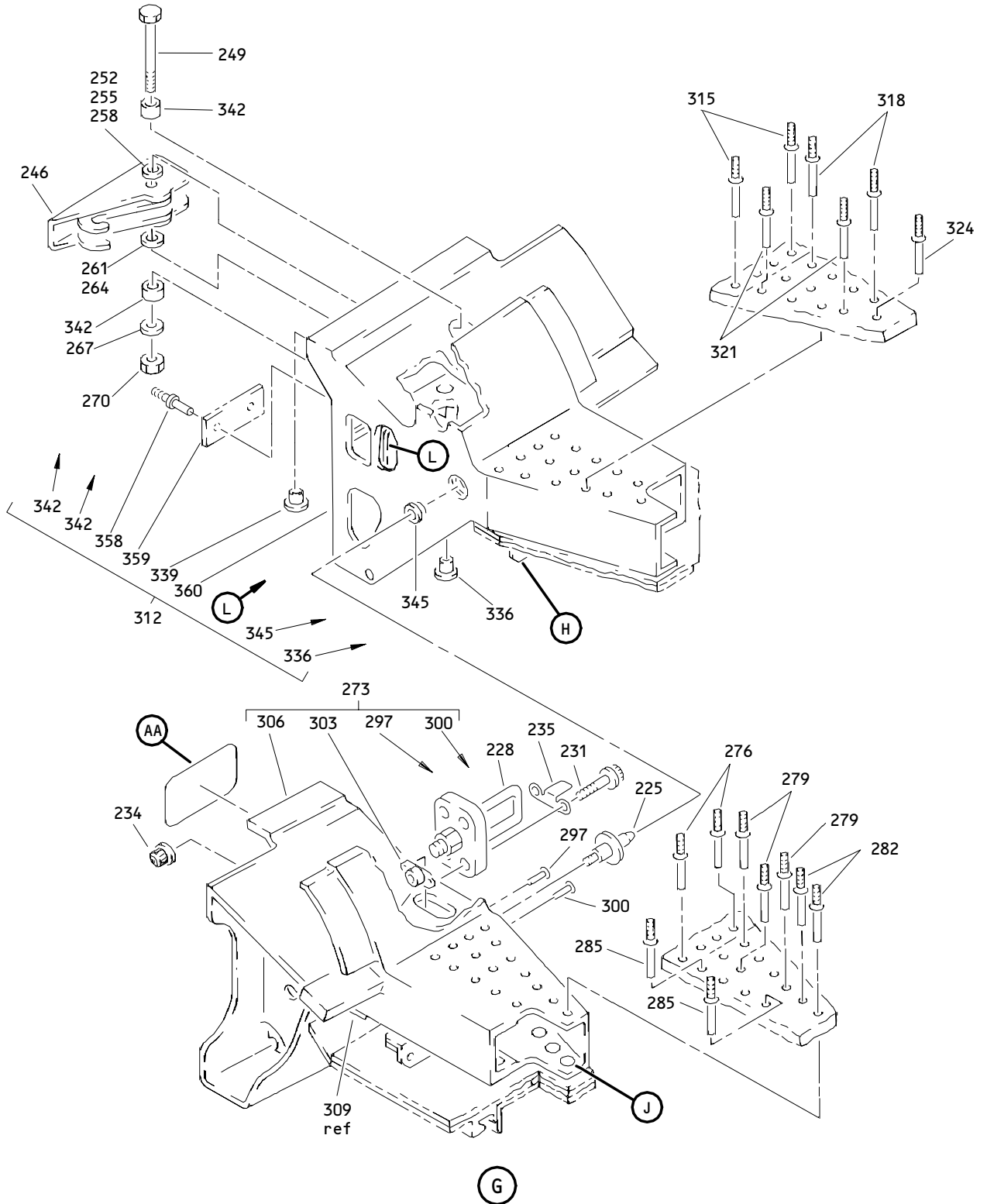
ILLUSTRATED PARTS LIST
01.1 Page 1050G
Jul 01/04



Lower LH and RH Bifurcation Assembly
Figure 7 (Sheet 5)

71-11-33

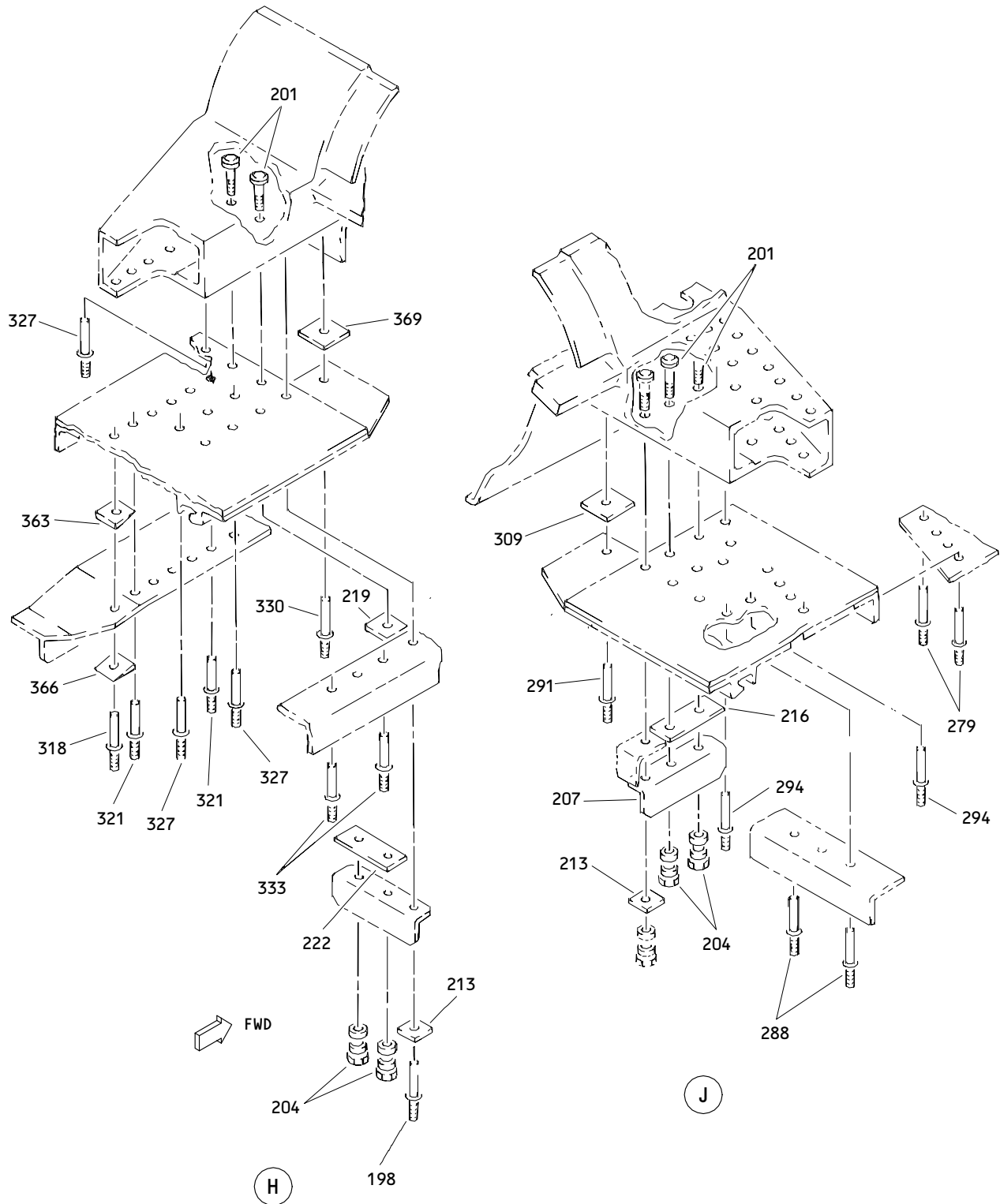
ILLUSTRATED PARTS LIST
01.1 Page 1050H
Jul 01/04



Lower Left Side and Right Side Bifurcation Assembly
 Figure 7 (Sheet 6)

71-11-33

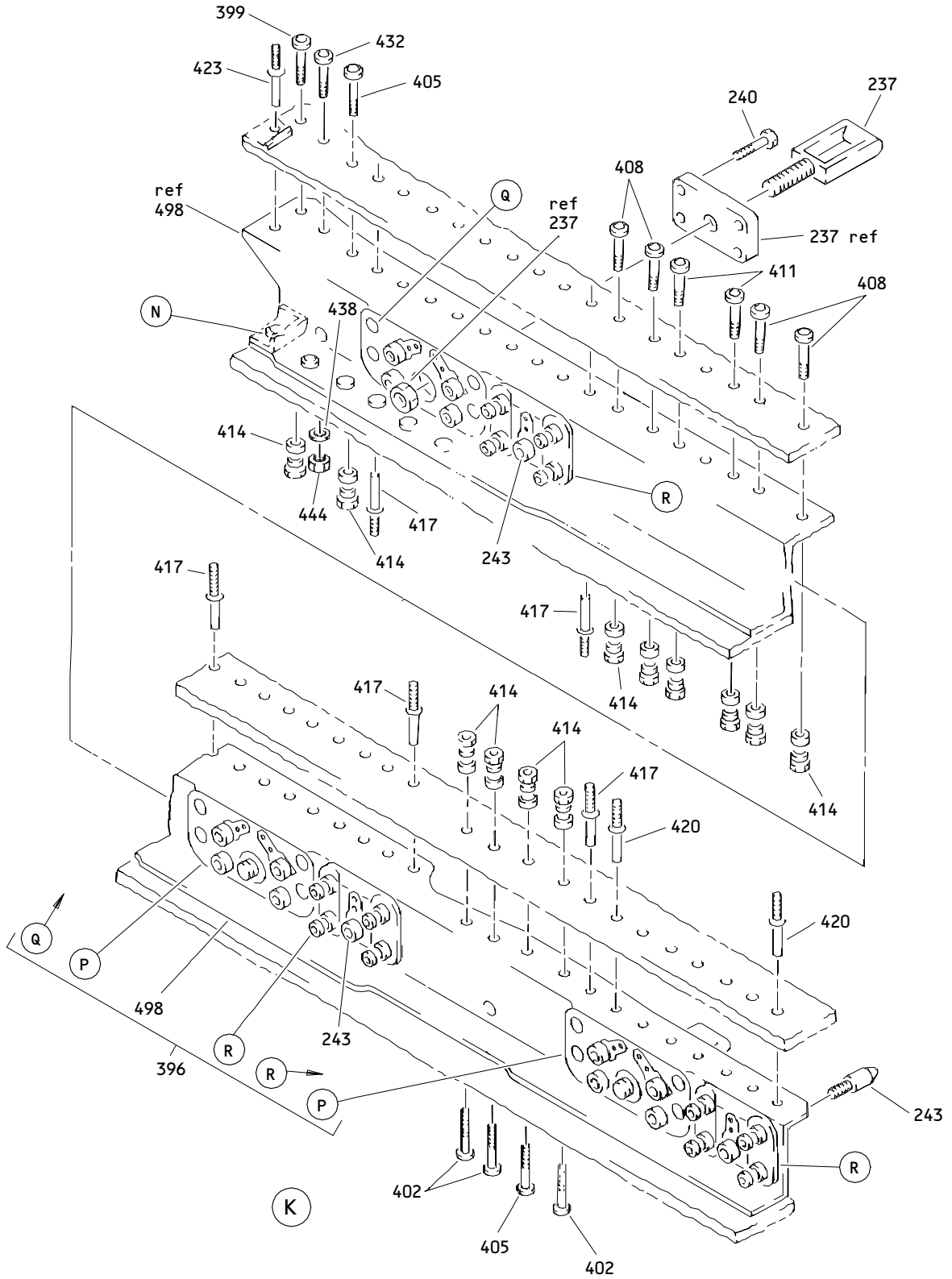
ILLUSTRATED PARTS LIST
 01.1 Page 1050I
 Jul 01/04



Lower LH and RH Bifurcation Assembly
 Figure 7 (Sheet 7)

71-11-33

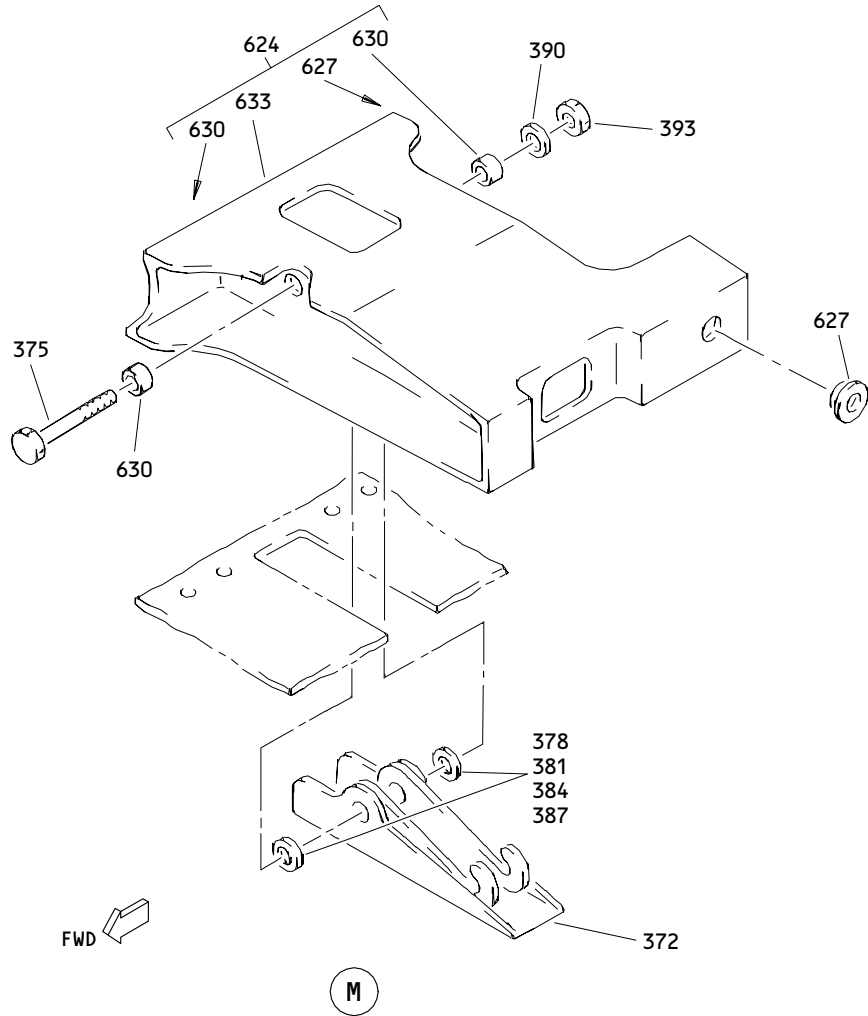
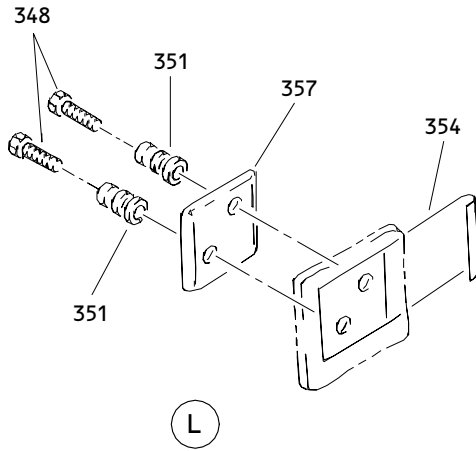
ILLUSTRATED PARTS LIST
 01.1 Page 1050J
 Jul 01/04



Lower LH and RH Bifurcation Assembly
Figure 7 (Sheet 8)

71-11-33

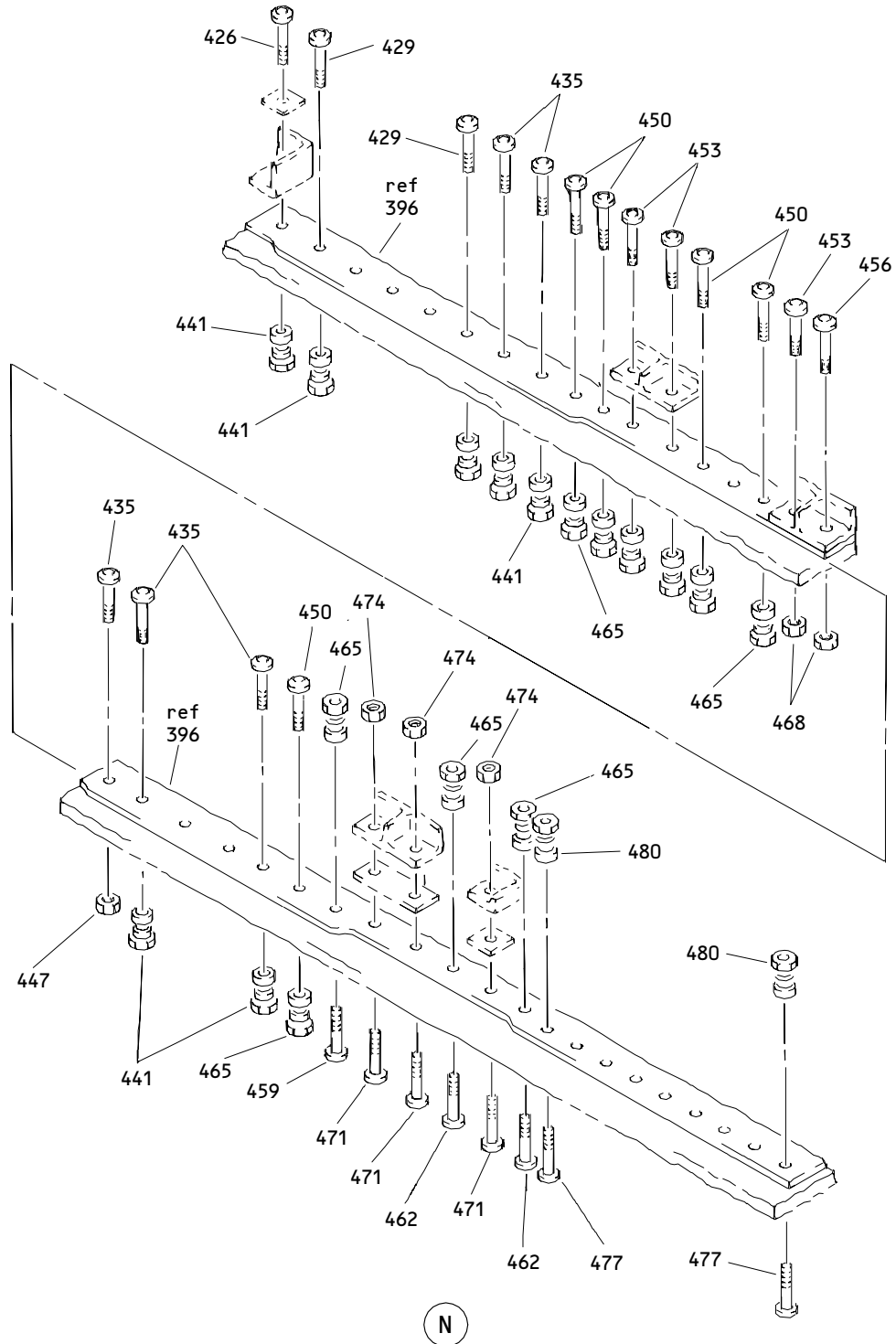
ILLUSTRATED PARTS LIST
01.1 Page 1050K
Jul 01/04



Lower LH and RH Bifurcation Assembly
 Figure 7 (Sheet 9)

71-11-33

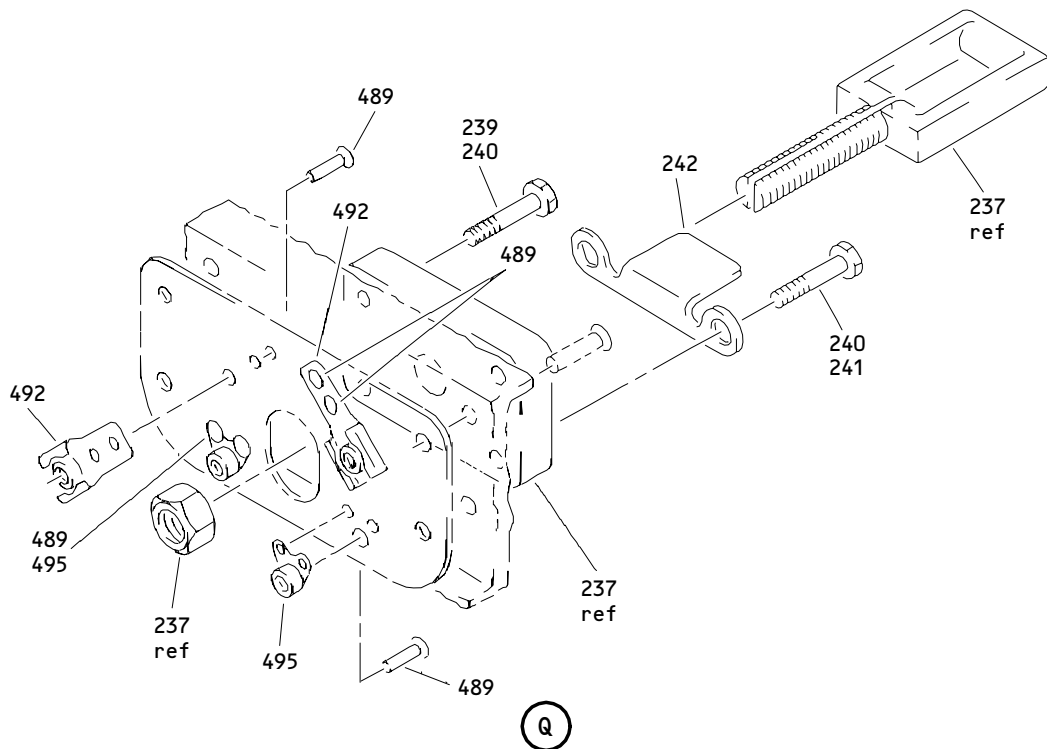
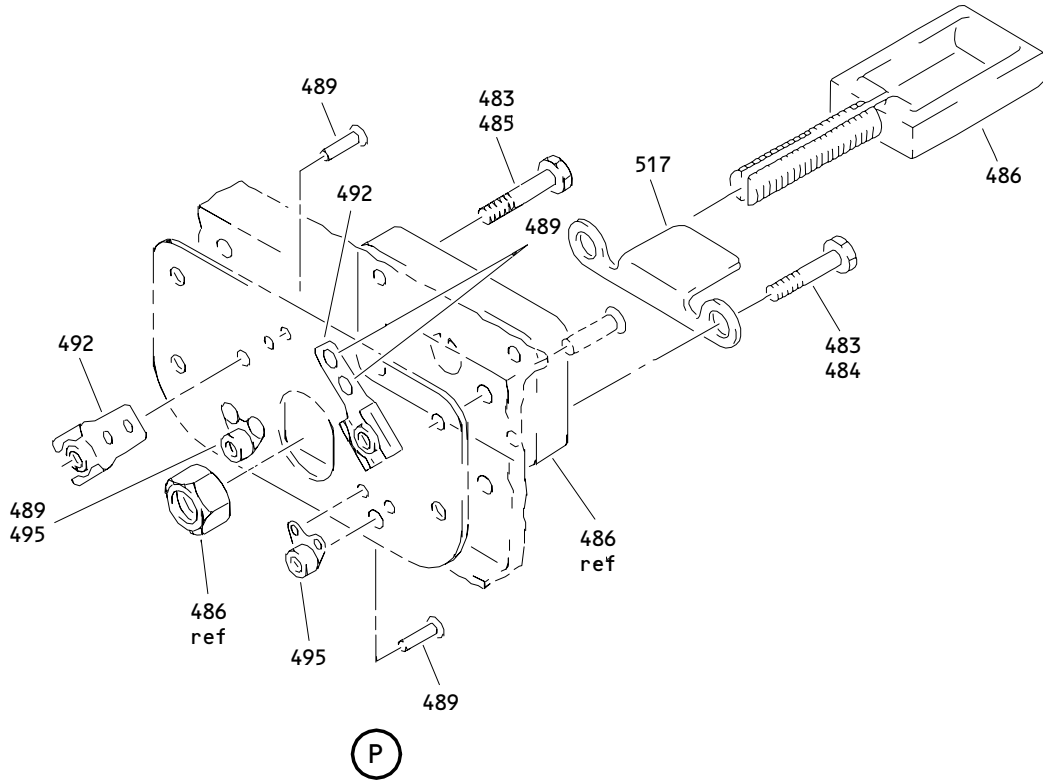
ILLUSTRATED PARTS LIST
 01.1 Page 1050L
 Jul 01/04



Lower LH and RH Bifurcation Assembly
Figure 7 (Sheet 10)

71-11-33

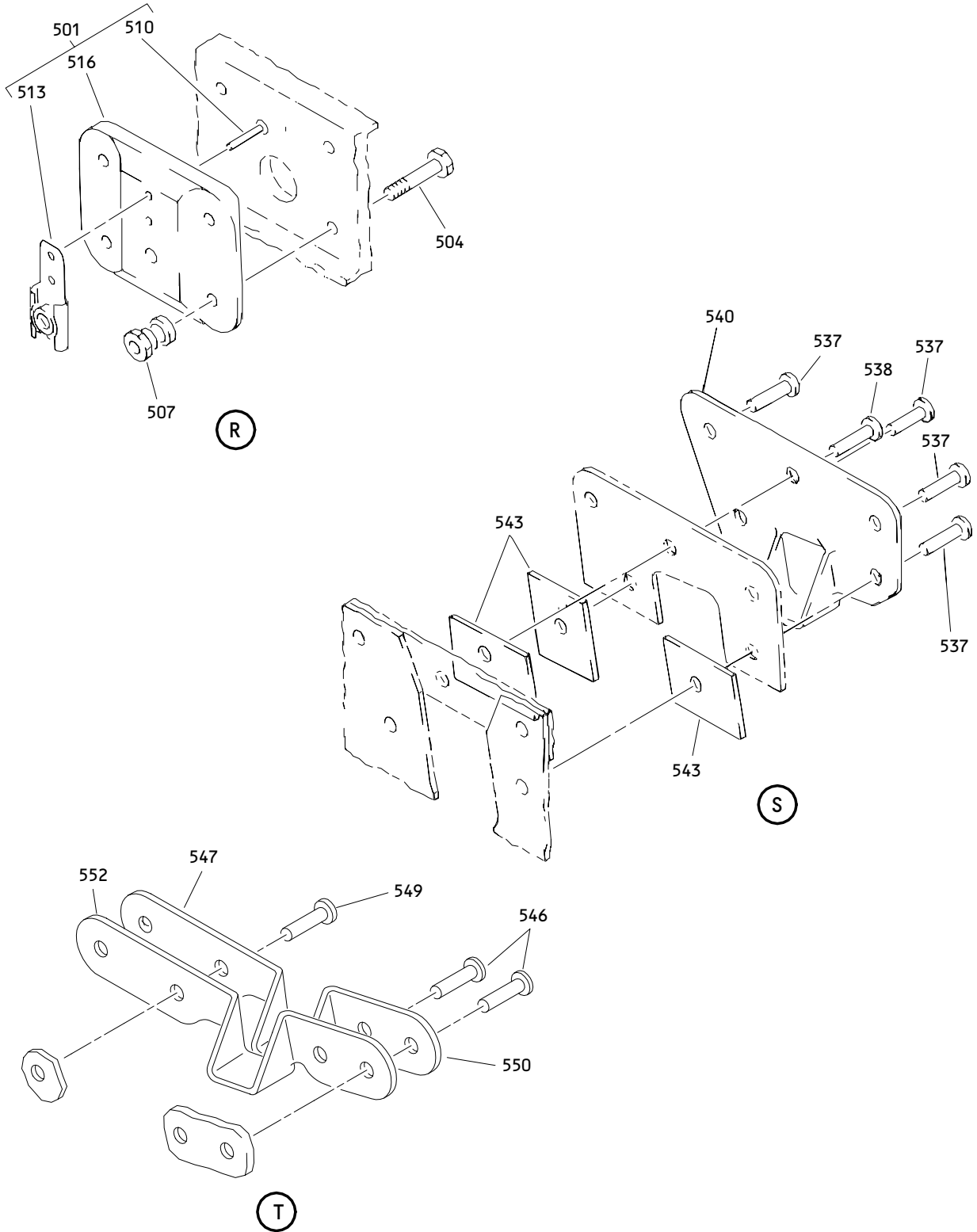
ILLUSTRATED PARTS LIST
01.1 Page 1050M
Jul 01/04



Lower LH and RH Bifurcation Assembly
 Figure 7 (Sheet 11)

71-11-33

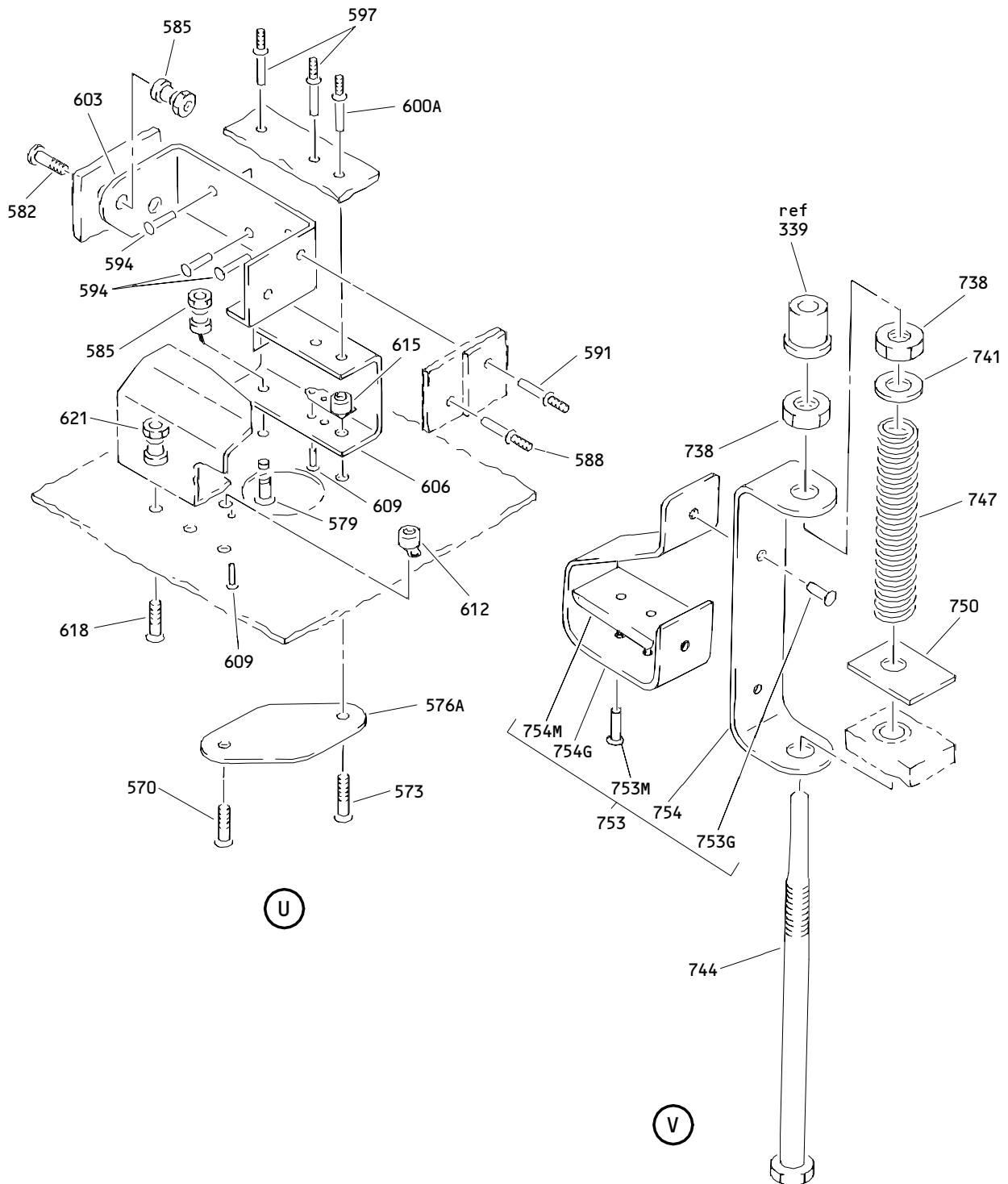
ILLUSTRATED PARTS LIST
 01.1 Page 1050N
 Jul 01/04



Lower Left Side and Right Side Bifurcation Assembly
 Figure 7 (Sheet 12)

71-11-33

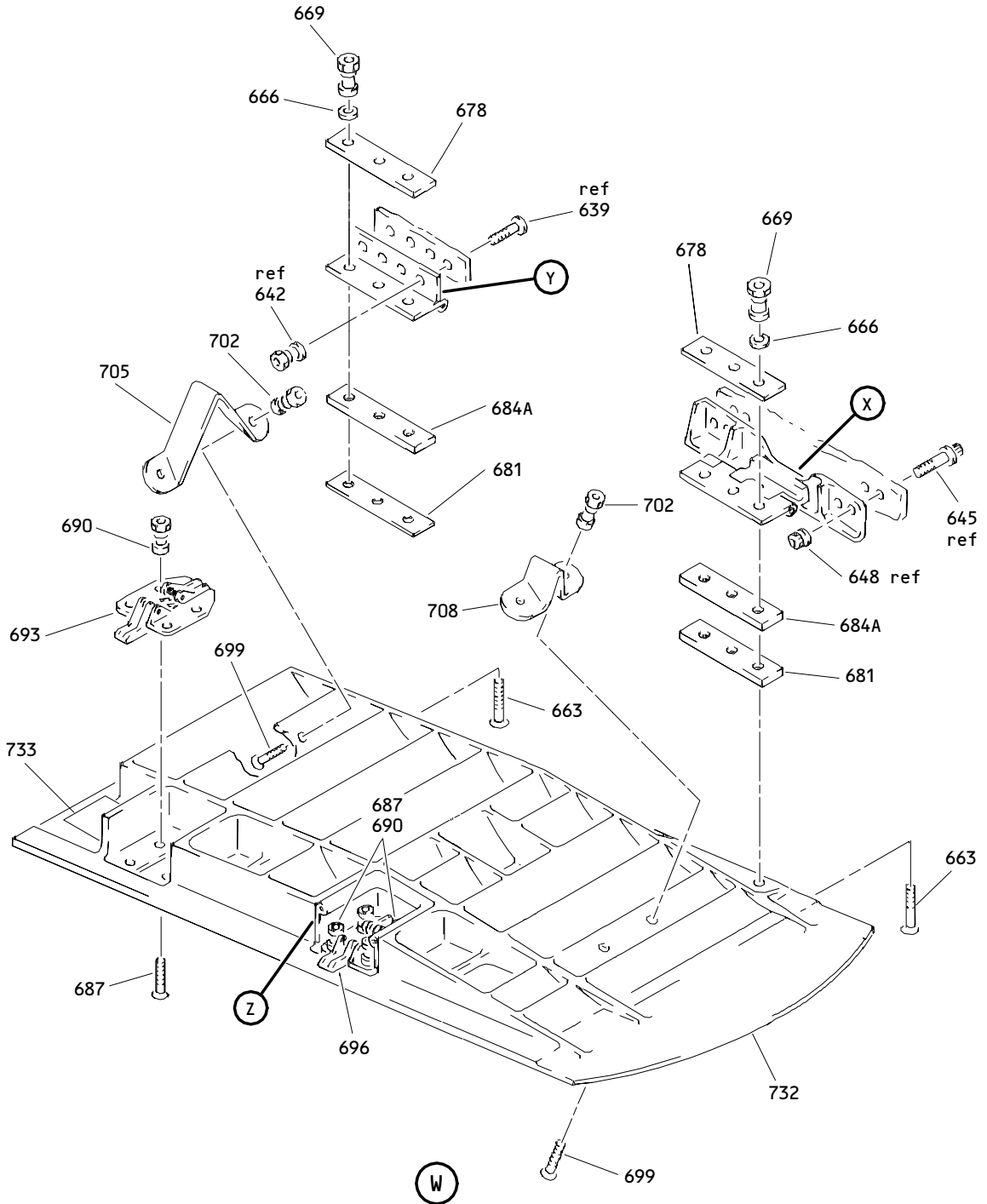
ILLUSTRATED PARTS LIST
 01.1 Page 10500
 Jul 01/04



Lower Left Side and Right Side Bifurcation Assembly
 Figure 7 (Sheet 13)

71-11-33

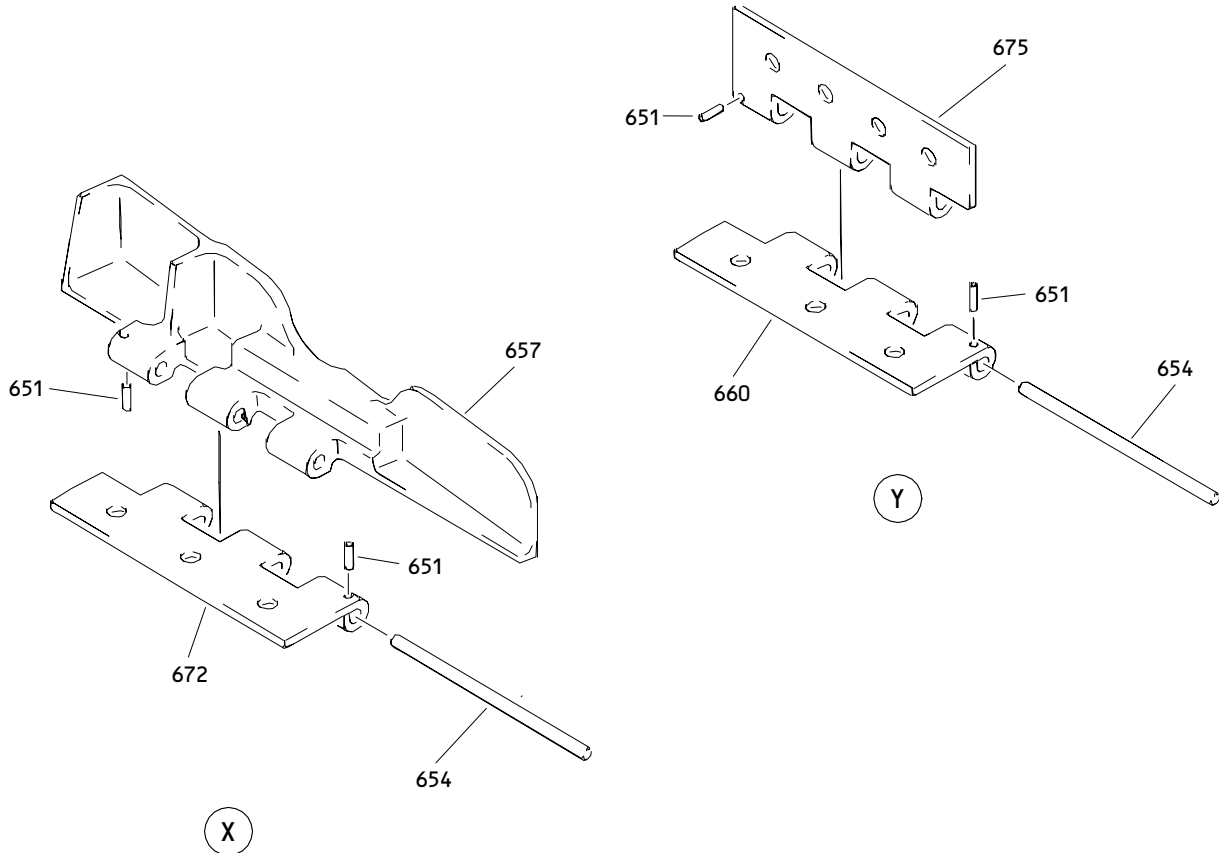
ILLUSTRATED PARTS LIST
 01.1 Page 1050P
 Jul 01/04



Lower Left Side and Right Side Bifurcation Assembly
Figure 7 (Sheet 14)

71-11-33

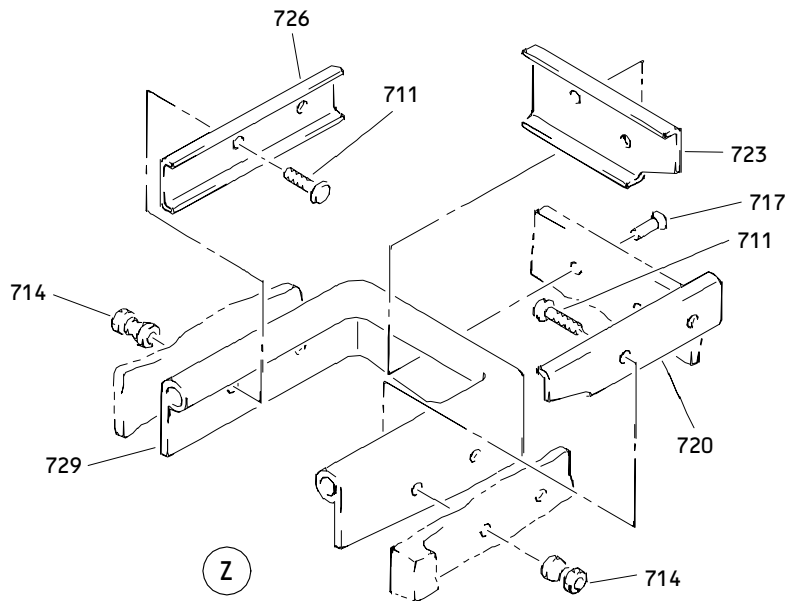
ILLUSTRATED PARTS LIST
01.1 Page 1050Q
Jul 01/04



CAUTION
 CORE COWL AND FAN
 COWL MUST BE IN FULLY
 OPENED POSITION BEFORE
 ACTUATING THRUST REVERSER
 OPENING SYSTEM

AA

774



Lower LH and RH Bifurcation Assembly
 Figure 7 (Sheet 15)

71-11-33

ILLUSTRATED PARTS LIST
 01.1 Page 1050R
 Jul 01/04

BOEING
 COMPONENT
 MAINTENANCE MANUAL

FIG. & ITEM	PART NO.	AIRLINE PART NUMBER	NOMENCLATURE 1234567	EFF CODE	QTY PER ASSY
07- -1	315T3400-209		BIFURCATION ASSY-LWR LH	A,B,D ,J,K, M,AJ, AL	RF
-1A	315T3400-273		BIFURCATION ASSY-LWR LH	C,G,S ,U,W, X,AA, AB,AE ,AF AN,AQ ,AS,A U,AW, AY,BA ,BC BE,BG	RF
-5	315T3400-210		BIFURCATION ASSY-LWR RH	E,F,H ,L, N-R,T ,V,Y, Z,AC, AD AG,AH ,AL,A M,AP, AR,AT ,AV AX,AZ ,BB,B D,BF, BH	RF

71-11-33

ILLUSTRATED PARTS LIST
 01.1 Page 1050S
 Jul 01/04

FIG. & ITEM	PART NO.	AIRLINE PART NUMBER	NOMENCLATURE 1234567	EFF CODE	QTY PER ASSY
07- -10	315T3400-5013		.BIFURCATION ASSY	A,B,D ,J,K, M,AJ, AL	1
-10A -10B	315T3400-5029 315T3400-5031		DELETED .BIFURCATION ASSY- (LIMITED)	C,G,S ,U,W, X,AA, AB,AE ,AF AN,AQ ,AS,A U,AW, AY,BA ,BC BE,BG	1
-10C	315T3400-5034		.BIFURCATION ASSY- (LIMITED)	C,G,S ,U,W, X,AA, AB,AE ,AF AN,AQ ,AS,A U,AW, AY,BA ,BC BE,BG	1
-10D	315T3400-5039		.BIFURCATION ASSY- (LIMITED)	C,G,S ,U,W, X,AA, AB,AE ,AF AN,AQ ,AS,A U,AW, AY,BA ,BC BE,BG	1

71-11-33

ILLUSTRATED PARTS LIST

01.1 Page 1050T

Jul 01/04


BOEING
 COMPONENT
 MAINTENANCE MANUAL

FIG. & ITEM	PART NO.	AIRLINE PART NUMBER	NOMENCLATURE	EFF CODE	QTY PER ASSY
07- -15	315T3400-5012		1234567 .BIFURCATION ASSY- (LIMITED)	E, F, H , L, N-R, T , V, Y, Z, AC, AD AG, AH , AK, A M, AP, AR, AT , AV AX, AZ , BB, B D, BF, BH	1
-15A	315T3400-5023		.BIFURCATION ASSY- (LIMITED)	E, F, H , L, N-R, T , V, Y, Z, AC, AD AG, AH , AK, A M, AP, AR, AT , AV AX, AZ , BB, B D, BF, BH	1

71-11-33

ILLUSTRATED PARTS LIST

01.1 Page 1050U

Jul 01/04

FIG. & ITEM	PART NO.	AIRLINE PART NUMBER	NOMENCLATURE 1234567	EFF CODE	QTY PER ASSY
07- -15B -15C	315T3400-5030 315T3400-5032		DELETED .BIFURCATION ASSY- (LIMITED)	E, F, H , L, N-R, T , V, Y, Z, AC, AD AG, AH , AK, A M, AP, AR, AT , AV AX, AZ , BB, B D, BF, BH	1
-15D	315T3400-5036		.BIFURCATION ASSY- (LIMITED)	E, F, H , L, N-R, T , V, Y, Z, AC, AD AG, AH , AK, A M, AP, AR, AT , AV AX, AZ , BB, B D, BF, BH	1

71-11-33

 ILLUSTRATED PARTS LIST
 01.1 Page 1050V
 Jul 01/04


BOEING
 COMPONENT
 MAINTENANCE MANUAL

FIG. & ITEM	PART NO.	AIRLINE PART NUMBER	NOMENCLATURE 1234567	EFF CODE	QTY PER ASSY
07- -15E	315T3400-5038		.BIFURCATION ASSY- (LIMITED)	E,F,H ,L, N-R,T ,V,Y, Z,AC, AD AG,AH ,AK,A M,AP, AR,AT ,AV AX,AZ ,BB,B D,BF, BH	1

71-11-33

ILLUSTRATED PARTS LIST

01.1 Page 1050W

Jul 01/04

FIG. & ITEM	PART NO.	AIRLINE PART NUMBER	NOMENCLATURE 1234567	EFF CODE	QTY PER ASSY
07- -15F	315T3400-5040		.BIFURCATION ASSY- (LIMITED)	E, F, H , L, N-R, T , V, Y, Z, AC, AD AG, AH , AK, A M, AP, AR, AT , AV AX, AZ , BB, B D, BF, BH	1
-15G	315T3400-5042		.BIFURCATION ASSY- (LIMITED)	E, F, H , L, N-R, T , V, Y, Z, AC, AD AG, AH , AK, A M, AP, AR, AT , AV AX, AZ , BB, B D, BF, BH	1
-15H	315T3400-5047		.BIFURCATION ASSY- (LIMITED)	E, F, H , L, N-R, T , V, Y, Z, AC, AD AG, AH , AK, A M, AP, AR, AT , AV AX, AZ , BB, B D, BF, BH	1

71-11-33

ILLUSTRATED PARTS LIST

01.1 Page 1050X

Jul 01/04

BOEING
 COMPONENT
 MAINTENANCE MANUAL

FIG. & ITEM	PART NO.	AIRLINE PART NUMBER	NOMENCLATURE	EFF CODE	QTY PER ASSY
07-18	315T3402-5		1234567 ..TRACK ASSY- (USED ON ITEMS 10B, 10C, 10D)	A-D,G ,J,K, M,S,U ,W,X, AA,AB AE,AF ,AJ,A L,AN, AQ,AS ,AU AW,AY ,BA,B C,BE, BG	1
-18A 21	315T3402-11 315T3402-1		DELETED ..TRACK ASSY- (USED ON ITEMS 15, 15A 15C, 15E, 15G, 15H)	E,F,H ,L, N-R,T ,V,Y, Z,AC, AD AG,AH ,AK,A M,AP, AR,AT ,AV AX,AZ ,BB,B D,BF, BH	1
-21A	315T3402-12		..TRACK ASSY- (USED ON ITEMS 15D, 15F) (FOR DETAILS SEE FIG. 14)	E,F,H ,L, N-R,T ,V,Y, Z,AC, AD AG,AH ,AK,A M,AP, AR,AT ,AV AX,AZ ,BB,B D,BF, BH	1

71-11-33

ILLUSTRATED PARTS LIST
 01.1 Page 1050Y
 Jul 01/04

FIG. & ITEM	PART NO.	AIRLINE PART NUMBER	NOMENCLATURE 1234567	EFF CODE	QTY PER ASSY
07-			ATTACHING PARTS		
24	NAS1398CW8-14		..RIVET		1
27	NAS1398CW8-13		..RIVET		3
30	NAS1398CW6-6		..RIVET		5
33	NAS1398CW6-6		..RIVET	A-D,G ,J,K, M,S,U ,W,X, AA,AB AE,AF ,AJ,A L,AN, AQ,AS ,AU AW,AY ,BA,B C,BE, BG	13
36	NAS1398CW6-7		..RIVET		1
39	NAS1398CW6-9		..RIVET		2
42	NAS1398CW6-9		..RIVET	E,F,H ,L, N-R,T ,V,Y, Z,AC, AD AG,AH ,AK,A M,AP, AR,AT ,AV AX,AZ ,BB,B D,BF, BH	9

71-11-33

 ILLUSTRATED PARTS LIST
 01.1 Page 1050Z
 Jul 01/04


BOEING
 COMPONENT
 MAINTENANCE MANUAL

FIG. & ITEM	PART NO.	AIRLINE PART NUMBER	NOMENCLATURE	EFF CODE	QTY PER ASSY
07-45	NAS1399CW6-9		1234567 ..RIVET	E, F, H , L, N-R, T , V, Y, Z, AC, AD AG, AH , AK, A M, AP, AR, AT , AV AX, AZ , BB, B D, BF, BH	1
51	NAS1398CW6-5		..RIVET	A-D, G , J, K, M, S, U , W, X, AA, AB AE, AF , AJ, A L, AN, AQ, AS , AU AW, AY , BA, B C, BE, BG	3

71-11-33

ILLUSTRATED PARTS LIST

01.1

Page 1051

Jul 01/04

FIG. & ITEM	PART NO.	AIRLINE PART NUMBER	NOMENCLATURE 1234567	EFF CODE	QTY PER ASSY
07-54	NAS1398CW6-5		..RIVET	E, F, H L, N-R, T V, Y, Z, AC, AD AG, AH AK, A M, AP, AR, AT AV AX, AZ BB, B D, BF, BH	3
57	NAS1398CW6-8		..RIVET	A-D, G J, K, M, S, U W, X, AA, AB AE, AF AJ, A L, AN, AQ, AS AU AW, AY BA, B C, BE, BG	13
60	NAS1398CW6-8		..RIVET	E, F, H L, N-R, T V, Y, Z, AC, AD AG, AH AK, A M, AP, AR, AT AV AX, AZ BB, B D, BF, BH	1

71-11-33

ILLUSTRATED PARTS LIST

01.1 Page 1052

Jul 01/04

BOEING
 COMPONENT
 MAINTENANCE MANUAL

FIG. & ITEM	PART NO.	AIRLINE PART NUMBER	NOMENCLATURE	EFF CODE	QTY PER ASSY
07-63	NAS1399CW6-8		1234567 ..RIVET	A-D,G ,J,K, M,S,U ,W,X, AA,AB AE,AF ,AJ,A L,AN, AQ,AS ,AU AW,AY ,BA,B C,BE, BG	9
66	NAS1399CW6-8		..RIVET	E,F,H ,L, N-R,T ,V,Y, Z,AC, AD AG,AH ,AK,A M,AP, AR,AT ,AV AX,AZ ,BB,B D,BF, BH	1
69	NAS1399CW6-12		..RIVET	E,F,H ,L, N-R,T ,V,Y, Z,AC, AD AG,AH ,AK,A M,AP, AR,AT ,AV AX,AZ ,BB,B D,BF, BH	1

71-11-33

ILLUSTRATED PARTS LIST
 01.1 Page 1052A
 Jul 01/04

FIG. & ITEM	PART NO.	AIRLINE PART NUMBER	NOMENCLATURE 1234567	EFF CODE	QTY PER ASSY
07-72	NAS1398CW6-12		..RIVET	E, F, H L, N-R, T V, Y, Z, AC, AD AG, AH AK, A M, AP, AR, AT AV AX, AZ BB, B D, BF, BH	3
75	NAS1398CW6-13		..RIVET	E, F, H L, N-R, T V, Y, Z, AC, AD AG, AH AK, A M, AP, AR, AT AV AX, AZ BB, B D, BF, BH	4
78	NAS1399CW6-13		..RIVET	E, F, H L, N-R, T V, Y, Z, AC, AD AG, AH AK, A M, AP, AR, AT AV AX, AZ BB, B D, BF, BH	4

71-11-33

ILLUSTRATED PARTS LIST

01.1 Page 1052B

Jul 01/04


BOEING
 COMPONENT
 MAINTENANCE MANUAL

FIG. & ITEM	PART NO.	AIRLINE PART NUMBER	NOMENCLATURE 1234567	EFF CODE	QTY PER ASSY
07-81	NAS1398CW6-11		..RIVET	A-D,G ,J,K, M,S,U ,W,X, AA,AB AE,AF ,AJ,A L,AN, AQ,AS ,AU AW,AY ,BA,B C,BE, BG	3
84	NAS1399CW6-11		..RIVET	A-D,G ,J,K, M,S,U ,W,X, AA,AB AE,AF ,AJ,A L,AN, AQ,AS ,AU AW,AY ,BA,B C,BE, BG	1
87	HL10VAZ8-5		..BOLT- (V60516) (SPEC BACB30MY8K5) (OPT B30MY8K5 (V97928))		6
90	HL10VAZ8-7		..BOLT- (V60516) (SPEC BACB30MY8K7) (OPT B30MY8K7 (V97928))		5

71-11-33

ILLUSTRATED PARTS LIST

01.1 Page 1052C

Jul 01/04

FIG. & ITEM	PART NO.	AIRLINE PART NUMBER	NOMENCLATURE 1234567	EFF CODE	QTY PER ASSY
07-93	HL79-8		..COLLAR- (V5M902) (SPEC BACC30M8) (OPT HL79-8 (V73197)) (OPT HL79-8 (V92215)) (OPT 66014-8 (V56878)) (OPT HL79-8 (V56878))		11
96	HL10VAZ6-5		..BOLT- (V60516) (SPEC BACB30MY6K5) (OPT B30MY6K5 (V97928))		14
99	HL11VAZ6-3		..BOLT- (V60516) (SPEC BACB30NW6K3) (OPT B30NW6K3 (V97928)) (OPT HL11VAZ6-3 (V73197)) (OPT HL11VAZ6-3 (V92215)) (OPT HL11VAZ6-3 (V97928)) (OPT L803-6K3 (V06725)) (OPT HL11VAZ6-3 (V0PTK6)) (OPT HL11VAZ6-3 (V56878))		12

71-11-33

ILLUSTRATED PARTS LIST

01.1 Page 1052D

Jul 01/04

BOEING
 COMPONENT
 MAINTENANCE MANUAL

FIG. & ITEM	PART NO.	AIRLINE PART NUMBER	NOMENCLATURE	EFF CODE	QTY PER ASSY
07-102	HL79-6		1234567 ..COLLAR- (V5M902) (SPEC BACC30M6) (OPT HL79-6 (V73197)) (OPT HL79-6 (V92215)) (OPT 66014-6 (V56878)) (OPT HL79-6 (V56878))		26
105	BACB30LL3-7		..BOLT	A-D,G ,J,K, M,S,U ,W,X, AA,AB AE,AF ,AJ,A L,AN, AQ,AS ,AU AW,AY ,BA,B C,BE, BG	1
108	BACB30LL3-7		..BOLT	E,F,H ,L, N-R,T ,V,Y, Z,AC, AD AG,AH ,AK,A M,AP, AR,AT ,AV AX,AZ ,BB,B D,BF, BH	2

71-11-33

ILLUSTRATED PARTS LIST
 01.1 Page 1052E
 Jul 01/04

FIG. & ITEM	PART NO.	AIRLINE PART NUMBER	NOMENCLATURE 1234567	EFF CODE	QTY PER ASSY
07-111	BACB30LL3-5		..BOLT	A-D,G ,J,K, M,S,U ,W,X, AA,AB AE,AF ,AJ,A L,AN, AQ,AS ,AU AW,AY ,BA,B C,BE, BG E,F,H	3
114	BACB30LL3-5		..BOLT	L, N-R,T ,V,Y, Z,AC, AD AG,AH ,AK,A M,AP, AR,AT ,AV AX,AZ ,BB,B D,BF, BH	1

71-11-33

 ILLUSTRATED PARTS LIST
 01.1 Page 1052F
 Jul 01/04


BOEING
 COMPONENT
 MAINTENANCE MANUAL

FIG. & ITEM	PART NO.	AIRLINE PART NUMBER	NOMENCLATURE 1234567	EFF CODE	QTY PER ASSY
07-117	BACB30LL3-3		..BOLT	A-D,G ,J,K, M,S,U ,W,X, AA,AB AE,AF ,AJ,A L,AN, AQ,AS ,AU AW,AY ,BA,B C,BE, BG	1
120	BACB30LL3-9		..BOLT	E,F,H ,L, N-R,T ,V,Y, Z,AC, AD AG,AH ,AK,A M,AP, AR,AT ,AV AX,AZ ,BB,B D,BF, BH	1
123	NAS623-3-26		-----*----- ...SCREW- (ITEMS 123 AND 138 OPT TO ITEMS 126, 138A AND 141)		1
126	BACB30LM3H15		...BOLT- (ITEMS 123 AND 138 OPT TO ITEMS 126, 138A AND 141)		1
129	AN960PD10L		...WASHER- (USED WITH ITEM 138)		2

71-11-33

ILLUSTRATED PARTS LIST

01.1 Page 1052G

Jul 01/04

FIG. & ITEM	PART NO.	AIRLINE PART NUMBER	NOMENCLATURE 1234567	EFF CODE	QTY PER ASSY
07-132	AN960PD10L		...WASHER- (USED WITH ITEM 138A)		1
135	H10-3BAC		...NUT- (V15653) (SPEC BACN10JC3) (OPT NS202101-02 (V80539)) (OPT RMLH9075-3W (V72962)) (OPT T6S1032J (V71087)) (OPT VN303A02 (V92215)) (OPT 96-02 (V80539)) (OPT BRH10A3 (V52828)) (USED WITH ITEM 138)		1
138	315T3317-1		...RETAINER- (ITEMS 123 AND 138 OPT TO ITEMS 126, 138A AND 141)		1
138A	315T3257-1		...RETAINER-PIN (ITEMS 123 AND 138 OPT TO ITEMS 126, 138A AND 141)		1
141	315T3257-2		...PIN- (ITEMS 123 AND 138 OPT TO ITEMS 126, 138A AND 141)		1
144	BACB30LL3-3		...BOLT- (USED ON ITEM 18)		1

71-11-33

 ILLUSTRATED PARTS LIST
 01.1 Page 1052H
 Jul 01/04

BOEING
 COMPONENT
 MAINTENANCE MANUAL

FIG. & ITEM	PART NO.	AIRLINE PART NUMBER	NOMENCLATURE 1234567	EFF CODE	QTY PER ASSY
07- -147	HL19PB5-5		...BOLT- (V60516) (SPEC BACB30FN5-5) (OPT HL19PB5-5 (V73197)) (OPT HL19PB5-5 (V92215)) (OPT HL19PB5-5 (V97928)) (OPT 62547-5-5 (V56878)) (OPT HL19PB5-5 (V80539)) (OPT HL19PB5-5 (V08524)) (OPT HL19-5-5 (V06725)) (OPT L839-5-5 (V06725)) (OPT HL19PB5-5 (V56878)) (USED ON ITEM 21)	E,F,H ,L, N-R,T ,V,Y, Z,AC, AD AG,AH ,AK,A M,AP, AR,AT ,AV AX,AZ ,BB,B D,BF, BH	1
150	AN960KD8		...WASHER- (USED ON ITEM 21)	E,F,H ,L, N-R,T ,V,Y, Z,AC, AD AG,AH ,AK,A M,AP, AR,AT ,AV AX,AZ ,BB,B D,BF, BH	1

71-11-33

ILLUSTRATED PARTS LIST
 01.1 Page 1052I
 Jul 01/04

FIG. & ITEM	PART NO.	AIRLINE PART NUMBER	NOMENCLATURE 1234567	EFF CODE	QTY PER ASSY
07-153	H10-3BAC		...NUT- (V15653) (SPEC BACN10JC3) (OPT NS202101-02 (V80539)) (OPT RMLH9075-3W (V72962)) (OPT T6S1032J (V71087)) (OPT VN303A02 (V92215)) (OPT 96-02 (V80539)) (OPT BRH10A3 (V52828)) (USED ON ITEM 18)		1
-156	H10-08BAC		...NUT- (V15653) (SPEC BACN10JC08) (OPT NS202101-82 (V80539)) (OPT RMLH9075-82W (V72962)) (OPT T6S832J (V71087)) (OPT VN303A82 (V92215)) (OPT 96-82 (V80539)) (OPT BRH10A08 (V52828)) (USED ON ITEM 21)	E, F, H L, N-R, T V, Y, Z, AC, AD AG, AH AK, A M, AP, AR, AT AV AX, AZ BB, B D, BF, BH	1

71-11-33

 ILLUSTRATED PARTS LIST
 01.1 Page 1052J
 Jul 01/04


BOEING
 COMPONENT
 MAINTENANCE MANUAL

FIG. & ITEM	PART NO.	AIRLINE PART NUMBER	NOMENCLATURE	EFF CODE	QTY PER ASSY
07-159A	315T3415-7		1234567 ...LINER- (USED ON ITEM 18)	A-D,G ,J,K, M,S,U ,W,X, AA,AB AE,AF ,AJ,A L,AN, AQ,AS ,AU AW,AY ,BA,B C,BE, BG	1
-159C	315T3415-6		...LINER- (USED ON ITEM 21)	E,F,H ,L, N-R,T ,V,Y, Z,AC, AD AG,AH ,AK,A M,AP, AR,AT ,AV AX,AZ ,BB,B D,BF, BH	1
-159D	315T3415-15		DELETED		
-159E	315T3415-16		DELETED		
-159F	315T3415-25		DELETED		

71-11-33

 ILLUSTRATED PARTS LIST
 01.1 Page 1052K
 Jul 01/04

FIG. & ITEM	PART NO.	AIRLINE PART NUMBER	NOMENCLATURE 1234567	EFF CODE	QTY PER ASSY
07-162	315T3402-6		...TRACK- (USED ON ITEM 18)		1
165	315T3402-3		...TRACK- (USED ON ITEM 21)	E, F, H , L, N-R, T , V, Y, Z, AC, AD AG, AH , AK, A M, AP, AR, AT , AV AX, AZ , BB, B D, BF, BH	1
168	BACF3F006J008NN		..FILLER		1
171	BACS40R11C43F		..SHIM		AR
174	BACS40R13D43F		..SHIM		AR
177	BACS40R08C359F		..SHIM		AR
180	BACS40R09D10F		..SHIM		AR
183	BACS40R10D19F		..SHIM		AR
186	MS20615-5MP		..RIVET- (SIZE DETERMINE ON INST)		5
189	BACR15CE5M		..RIVET- (SIZE DETERMINE ON INST)		1
192	315T3406-5		..LINER	A-D, G , J, K, M, S, U , W, X, AA, AB AE, AF , AJ, A L, AN, AQ, AS , AU AW, AY , BA, B C, BE, BG	1

71-11-33

ILLUSTRATED PARTS LIST

01.1 Page 1052L

Jul 01/04


BOEING
 COMPONENT
 MAINTENANCE MANUAL

FIG. & ITEM	PART NO.	AIRLINE PART NUMBER	NOMENCLATURE 1234567	EFF CODE	QTY PER ASSY
07- -195	315T3406-4		..LINER	E,F,H L, N-R,T V,Y, Z,AC, AD AG,AH AK,A M,AP, AR,AT AV AX,AZ BB,B D,BF, BH	1
198	NAS1398CW8-12		..RIVET		1
201	HL10VAZ6-7		..BOLT- (V60516) (SPEC BACB30MY6K7) (OPT B30MY6K7 (V97928))		2
204	HL79-6		..COLLAR- (V5M902) (SPEC BACC30M6) (OPT HL79-6 (V73197)) (OPT HL79-6 (V92215)) (OPT 66014-6 (V56878)) (OPT HL79-6 (V56878))		2

71-11-33

 ILLUSTRATED PARTS LIST
 01.1 Page 1052M
 Jul 01/04

FIG. & ITEM	PART NO.	AIRLINE PART NUMBER	NOMENCLATURE	EFF CODE	QTY PER ASSY
07-207	315T3400-149		1234567 ..ANGLE	A-D,G ,J,K, M,S,U ,W,X, AA,AB AE,AF ,AJ,A L,AN, AQ,AS ,AU AW,AY ,BA,B C,BE, BG	1
-210	315T3400-150		..ANGLE	E,F,H L, N-R,T ,V,Y, Z,AC, AD AG,AH ,AK,A M,AP, AR,AT ,AV AX,AZ ,BB,B D,BF, BH	1
213	315T3400-147		..FILLER		1
216	BACF3F009W021NN		..FILLER	A-D,G ,J,K, M,S,U ,W,X, AA,AB AE,AF ,AJ,A L,AN, AQ,AS ,AU AW,AY ,BA,B C,BE, BG	1

71-11-33

ILLUSTRATED PARTS LIST

01.1 Page 1052N

Jul 01/04

BOEING
 COMPONENT
 MAINTENANCE MANUAL

FIG. & ITEM	PART NO.	AIRLINE PART NUMBER	NOMENCLATURE	EFF CODE	QTY PER ASSY
07-219	BACF3F009J010NN		1234567 ..FILLER	E, F, H , L, N-R, T , V, Y, Z, AC, AD AG, AH , AK, A M, AP, AR, AT , AV AX, AZ , BB, B D, BF, BH	1
222	BACF3F009P020BN		..FILLER	E, F, H , L, N-R, T , V, Y, Z, AC, AD AG, AH , AK, A M, AP, AR, AT , AV AX, AZ , BB, B D, BF, BH	1
225	315T3423-1		..PIN	A-D, G , J, K, M, S, U , W, X, AA, AB AE, AF , AJ, A L, AN, AQ, AS , AU AW, AY , BA, B C, BE, BG	1

71-11-33

ILLUSTRATED PARTS LIST
 01.1 Page 10520
 Jul 01/04

FIG. & ITEM	PART NO.	AIRLINE PART NUMBER	NOMENCLATURE	EFF CODE	QTY PER ASSY
07-228	H2898-3		..KEEPER ASSY- (V83014)	A-D,G ,J,K, M,S,U ,W,X, AA,AB AE,AF ,AJ,A L,AN, AQ,AS ,AU AW,AY ,BA,B C,BE, BG	1
231	BACB30LE4-11		ATTACHING PARTS ..BOLT	A-D,G ,J,K, M,S,U ,W,X, AA,AB AE,AF ,AJ,A L,AN, AQ,AS ,AU AW,AY ,BA,B C,BE, BG	4

71-11-33

ILLUSTRATED PARTS LIST

01.1 Page 1052P

Jul 01/04

BOEING
 COMPONENT
 MAINTENANCE MANUAL

FIG. & ITEM	PART NO.	AIRLINE PART NUMBER	NOMENCLATURE	EFF CODE	QTY PER ASSY
07-234	BMNN10HR4		1234567 ..NUT- (V08524) (SPEC BACN10HR4) (OPT BMN10HR4 (V97928)) (OPT CR59064 (V62554)) (OPT H964 (V15653)) (OPT RMLH224 (V72962)) (OPT VAL280094 (V06710)) (OPT 678324 (V56878)) (OPT H96-4 (V15653)) (OPT VAL280094 (V06710)) (OPT 678324 (V56878)) (OPT H96-4 (V15653)) (OPT RMLH22-4 (V72962)) -----*-----	A-D,G ,J,K, M,S,U ,W,X, AA,AB AE,AF ,AJ,A L,AN, AQ,AS ,AU AW,AY ,BA,B C,BE, BG	4
235	314T1339-2		..STOP-ANTI-ROTATION	C,G,S ,U,W, X,AA, AB,AE ,AF AN,AQ ,AS,A U,AW, AY,BA ,BC BE,BG	1

71-11-33

FIG. & ITEM	PART NO.	AIRLINE PART NUMBER	NOMENCLATURE 1234567	EFF CODE	QTY PER ASSY
07-237	H2899-5		..KEEPER ASSY- (V83014)	A-D,G ,J,K, M,S,U ,W,X, AA,AB AE,AF ,AJ,A L,AN, AQ,AS ,AU AW,AY ,BA,B C,BE, BG	1
239	BACB30NM4K13		ATTACHING PARTS ..BOLT	C,G,S ,U,W, X,AA, AB,AE ,AF AN,AQ ,AS,A U,AW, AY,BA ,BC BE,BG	2
240	BACB30NM4K13		..BOLT	A,B,D ,J,K, M,AJ, AL	4
241	BACB30NM4K14		..BOLT	C,G,S ,U,W, X,AA, AB,AE ,AF AN,AQ ,AS,A U,AW, AY,BA ,BC BE,BG	2
			-----*		

71-11-33

ILLUSTRATED PARTS LIST

01.1 Page 1052R

Jul 01/04

BOEING
 COMPONENT
 MAINTENANCE MANUAL

FIG. & ITEM	PART NO.	AIRLINE PART NUMBER	NOMENCLATURE 1234567	EFF CODE	QTY PER ASSY
07-242	314T1339-3		..STOP-ANTI-ROTATION	C,G,S ,U,W, X,AA, AB,AE ,AF AN,AQ ,AS,A U,AW, AY,BA ,BC BE,BG	1
243	315T3424-1		..PIN	A-D,G ,J,K, M,S,U ,W,X, AA,AB AE,AF ,AJ,A L,AN, AQ,AS ,AU AW,AY ,BA,B C,BE, BG	3
246	H2850-2		..LATCH ASSY- (V83014) (SPEC S315T110-2) (OPT 9425-2 (V84256))	E,F,H ,L, N-R,T ,V,Y, Z,AC, AD AG,AH ,AK,A M,AP, AR,AT ,AV AX,AZ ,BB,B D,BF, BH	1
-246A	9425-2		DELETED ATTACHING PARTS		

71-11-33

ILLUSTRATED PARTS LIST
 01.1 Page 1052S
 Jul 01/04

FIG. & ITEM	PART NO.	AIRLINE PART NUMBER	NOMENCLATURE	EFF CODE	QTY PER ASSY
07-249	315T1448-3		..BOLT-SHOULDER (USED ON ITEMS 15, 15A, 15H)	E,F,H ,L, N-R,T ,V,Y, Z,AC, AD AG,AH ,AK,A M,AP, AR,AT ,AV AX,AZ ,BB,B D,BF, BH	1
-249A	315T1448-10		..BOLT-SHOULDER (USED ON ITEMS 15C, 15D, 15E, 15F, 15G)	E,F,H ,L, N-R,T ,V,Y, Z,AC, AD AG,AH ,AK,A M,AP, AR,AT ,AV AX,AZ ,BB,B D,BF, BH	1

71-11-33

 ILLUSTRATED PARTS LIST
 01.1 Page 1052T
 Jul 01/04

BOEING
 COMPONENT
 MAINTENANCE MANUAL

FIG. & ITEM	PART NO.	AIRLINE PART NUMBER	NOMENCLATURE	EFF CODE	QTY PER ASSY
07-252	AN960-516L		1234567 ..WASHER	E, F, H , L, N-R, T , V, Y, Z, AC, AD AG, AH , AK, A M, AP, AR, AT , AV AX, AZ , BB, B D, BF, BH	AR
255	AN960PD516L		..WASHER	E, F, H , L, N-R, T , V, Y, Z, AC, AD AG, AH , AK, A M, AP, AR, AT , AV AX, AZ , BB, B D, BF, BH	AR
258	AN960-516		..WASHER	E, F, H , L, N-R, T , V, Y, Z, AC, AD AG, AH , AK, A M, AP, AR, AT , AV AX, AZ , BB, B D, BF, BH	AR

71-11-33

ILLUSTRATED PARTS LIST
 01.1 Page 1052U
 Jul 01/04

FIG. & ITEM	PART NO.	AIRLINE PART NUMBER	NOMENCLATURE	EFF CODE	QTY PER ASSY
07-261	AN960-516L		..WASHER	E, F, H L, N-R, T V, Y, Z, AC, AD AG, AH AK, A M, AP, AR, AT AV AX, AZ BB, B D, BF, BH	1
264	AN960-416L		..WASHER	E, F, H L, N-R, T V, Y, Z, AC, AD AG, AH AK, A M, AP, AR, AT AV AX, AZ BB, B D, BF, BH	1
267	BACW10BP5ACU		..WASHER	E, F, H L, N-R, T V, Y, Z, AC, AD AG, AH AK, A M, AP, AR, AT AV AX, AZ BB, B D, BF, BH	1

71-11-33

ILLUSTRATED PARTS LIST

01.1 Page 1052V

Jul 01/04

BOEING
 COMPONENT
 MAINTENANCE MANUAL

FIG. & ITEM	PART NO.	AIRLINE PART NUMBER	NOMENCLATURE	EFF CODE	QTY PER ASSY
07-270	BRH10C4M		1234567 ..NUT- (V52828) (SPEC BACN10JC4CM) (OPT T6C428JM (V11815)) (OPT 97E48 (V80539)) (OPT 109LH9075-4W (V72962)) (OPT VN303D048 (V92215)) (OPT 9NS202101SE048 (VA8053)) (OPT H01-4BAC (V15653)) -----*-----	E, F, H , L, N-R, T , V, Y, Z, AC, AD AG, AH , AK, A M, AP, AR, AT , AV AX, AZ , BB, B D, BF, BH	1
273	315T3412-13		..FITTING ASSY-ATTACH	A-D, G , J, K, M, S, U , W, X, AA, AB AE, AF , AJ, A L, AN, AQ, AS , AU AW, AY , BA, B C, BE, BG	1
276	NAS1398CW6-9		ATTACHING PARTS ..RIVET	A-D, G , J, K, M, S, U , W, X, AA, AB AE, AF , AJ, A L, AN, AQ, AS , AU AW, AY , BA, B C, BE, BG	4

71-11-33

ILLUSTRATED PARTS LIST
 01.1 Page 1052W
 Jul 01/04

FIG. & ITEM	PART NO.	AIRLINE PART NUMBER	NOMENCLATURE 1234567	EFF CODE	QTY PER ASSY
07-279	NAS1398CW6-5		..RIVET	A-D,G ,J,K, M,S,U ,W,X, AA,AB AE,AF ,AJ,A L,AN, AQ,AS ,AU AW,AY ,BA,B C,BE, BG	10
282	NAS1398CW6-6		..RIVET	A-D,G ,J,K, M,S,U ,W,X, AA,AB AE,AF ,AJ,A L,AN, AQ,AS ,AU AW,AY ,BA,B C,BE, BG	2
285	NAS1398CW6-8		..RIVET	A-D,G ,J,K, M,S,U ,W,X, AA,AB AE,AF ,AJ,A L,AN, AQ,AS ,AU AW,AY ,BA,B C,BE, BG	4

71-11-33

 ILLUSTRATED PARTS LIST
 01.1 Page 1052X
 Jul 01/04

BOEING
 COMPONENT
 MAINTENANCE MANUAL

FIG. & ITEM	PART NO.	AIRLINE PART NUMBER	NOMENCLATURE	EFF CODE	QTY PER ASSY
07-288	NAS1398CW8-7		1234567 ..RIVET	A-D,G ,J,K, M,S,U ,W,X, AA,AB AE,AF ,AJ,A L,AN, AQ,AS ,AU AW,AY ,BA,B C,BE, BG	3
291	NAS1398CW8-9		..RIVET	A-D,G ,J,K, M,S,U ,W,X, AA,AB AE,AF ,AJ,A L,AN, AQ,AS ,AU AW,AY ,BA,B C,BE, BG	1
294	NAS1398CW6-4		..RIVET	A-D,G ,J,K, M,S,U ,W,X, AA,AB AE,AF ,AJ,A L,AN, AQ,AS ,AU AW,AY ,BA,B C,BE, BG	5
			-----*		

71-11-33

ILLUSTRATED PARTS LIST
 01.1 Page 1052Y
 Jul 01/04

FIG. & ITEM	PART NO.	AIRLINE PART NUMBER	NOMENCLATURE 1234567	EFF CODE	QTY PER ASSY
07-297	BACR15CE3D		...RIVET- (SIZE DETERMINE ON INST)	A-D,G ,J,K, M,S,U ,W,X, AA,AB AE,AF ,AJ,A L,AN, AQ,AS ,AU AW,AY ,BA,B C,BE, BG	1
300	BACR15CE3D		...RIVET- (SIZE DETERMINE ON INST) (OPT ITEM 300A)	A-D,G ,J,K, M,S,U ,W,X, AA,AB AE,AF ,AJ,A L,AN, AQ,AS ,AU AW,AY ,BA,B C,BE, BG	1
-300A	AF5141-3C		...RIVET- (V53551) (SPEC BACR15DR3AC) (OPT CCR264CS3C (V11815)) (OPT RV541A3C (V98996)) (SIZE DETERMINE ON INST) (OPT ITEM 300)	A-D,G ,J,K, M,S,U ,W,X, AA,AB AE,AF ,AJ,A L,AN, AQ,AS ,AU AW,AY ,BA,B C,BE, BG	1

71-11-33

 ILLUSTRATED PARTS LIST
 01.1 Page 1052Z
 Jul 01/04

BOEING
 COMPONENT
 MAINTENANCE MANUAL

FIG. & ITEM	PART NO.	AIRLINE PART NUMBER	NOMENCLATURE 1234567	EFF CODE	QTY PER ASSY
07-303	BR2000C4D		...NUTPLATE- (V52828) (SPEC BACN10JR4CD) (OPT K51601-4BAC (V15653)) (OPT NS202439-048 (V80539)) (OPT 102A9201-4 (V72962)) (OPT ITEM 303A)	A-D,G ,J,K, M,S,U ,W,X, AA,AB AE,AF ,AJ,A L,AN, AQ,AS ,AU AW,AY ,BA,B C,BE, BG	1
-303A	BRF200C4D		...NUTPLATE- (V52828) (SPEC BACN10JR4CFD) (OPT K51602-4BAC (V15653)) (OPT NS202476-048 (V80539)) (OPT 102F9201-4 (V72962)) (OPT T8092C428CD (V11815)) (OPT ITEM 303)	A-D,G ,J,K, M,S,U ,W,X, AA,AB AE,AF ,AJ,A L,AN, AQ,AS ,AU AW,AY ,BA,B C,BE, BG	1
306	315T3412-14		...FITTING	A-D,G ,J,K, M,S,U ,W,X, AA,AB AE,AF ,AJ,A L,AN, AQ,AS ,AU AW,AY ,BA,B C,BE, BG	1

71-11-33

ILLUSTRATED PARTS LIST

01.1

Page 1053

Jul 01/04

FIG. & ITEM	PART NO.	AIRLINE PART NUMBER	NOMENCLATURE 1234567	EFF CODE	QTY PER ASSY
07-309	BACF3F011J011NN		..FILLER	A-D,G ,J,K, M,S,U ,W,X, AA,AB AE,AF ,AJ,A L,AN, AQ,AS ,AU AW,AY ,BA,B C,BE, BG E,F,H	1
312	315T3413-13		..FITTING ASSY-ATTACH (USED ON ITEM 15A)	L, N-R,T ,V,Y, Z,AC, AD AG,AH ,AK,A M,AP, AR,AT ,AV AX,AZ ,BB,B D,BF, BH	1

71-11-33

 ILLUSTRATED PARTS LIST
 01.1 Page 1054
 Jul 01/04

BOEING
 COMPONENT
 MAINTENANCE MANUAL

FIG. & ITEM	PART NO.	AIRLINE PART NUMBER	NOMENCLATURE	EFF CODE	QTY PER ASSY
07- -312A	315T3413-19		1234567 ..FITTING ASSY-ATTACH (USED ON ITEMS 15, 15C, 15E, 15G, 15H)	E,F,H ,L, N-R,T ,V,Y, Z,AC, AD AG,AH ,AK,A M,AP, AR,AT ,AV AX,AZ ,BB,B D,BF, BH	1
-312B	315T3413-25		..FITTING ASSY-ATTACH (USED ON ITEMS 15D, 15F)	E,F,H ,L, N-R,T ,V,Y, Z,AC, AD AG,AH ,AK,A M,AP, AR,AT ,AV AX,AZ ,BB,B D,BF, BH	1
ATTACHING PARTS					

71-11-33

ILLUSTRATED PARTS LIST
 01.1 Page 1054A
 Jul 01/04

FIG. & ITEM	PART NO.	AIRLINE PART NUMBER	NOMENCLATURE	EFF CODE	QTY PER ASSY
07-315	NAS1398CW6-9		1234567 ..RIVET	E, F, H L, N-R, T V, Y, Z, AC, AD AG, AH AK, A M, AP, AR, AT AV AX, AZ BB, B D, BF, BH	4
318	NAS1398CW6-8		..RIVET	E, F, H L, N-R, T V, Y, Z, AC, AD AG, AH AK, A M, AP, AR, AT AV AX, AZ BB, B D, BF, BH	5

71-11-33

 ILLUSTRATED PARTS LIST
 01.1 Page 1054B
 Jul 01/04

BOEING
 COMPONENT
 MAINTENANCE MANUAL

FIG. & ITEM	PART NO.	AIRLINE PART NUMBER	NOMENCLATURE	EFF CODE	QTY PER ASSY
07-321	NAS1398CW6-5		1234567 ..RIVET	E, F, H L, N-R, T V, Y, Z, AC, AD AG, AH AK, A M, AP, AR, AT AV AX, AZ BB, B D, BF, BH	11
324	NAS1398CW6-6		..RIVET	E, F, H L, N-R, T V, Y, Z, AC, AD AG, AH AK, A M, AP, AR, AT AV AX, AZ BB, B D, BF, BH	1

71-11-33

ILLUSTRATED PARTS LIST
 01.1 Page 1054C
 Jul 01/04

FIG. & ITEM	PART NO.	AIRLINE PART NUMBER	NOMENCLATURE	EFF CODE	QTY PER ASSY
07-327	NAS1398CW6-4		1234567 ..RIVET	E, F, H L, N-R, T V, Y, Z, AC, AD AG, AH AK, A M, AP, AR, AT AV AX, AZ BB, B D, BF, BH	4
330	NAS1398CW8-9		..RIVET	E, F, H L, N-R, T V, Y, Z, AC, AD AG, AH AK, A M, AP, AR, AT AV AX, AZ BB, B D, BF, BH	1

71-11-33

ILLUSTRATED PARTS LIST

01.1 Page 1054D

Jul 01/04

BOEING
 COMPONENT
 MAINTENANCE MANUAL

FIG. & ITEM	PART NO.	AIRLINE PART NUMBER	NOMENCLATURE	EFF CODE	QTY PER ASSY
07-333	NAS1398CW8-7		1234567 ..RIVET	E, F, H , L, N-R, T , V, Y, Z, AC, AD AG, AH , AK, A M, AP, AR, AT , AV AX, AZ , BB, B D, BF, BH	3
336	BACB28AM04B034A		-----*----- ...BUSHING	E, F, H , L, N-R, T , V, Y, Z, AC, AD AG, AH , AK, A M, AP, AR, AT , AV AX, AZ , BB, B D, BF, BH	1

71-11-33

ILLUSTRATED PARTS LIST
 01.1 Page 1054E
 Jul 01/04

FIG. & ITEM	PART NO.	AIRLINE PART NUMBER	NOMENCLATURE	EFF CODE	QTY PER ASSY
07-339	BACB28W3B037		1234567 ...BUSHING	E, F, H , L, N-R, T , V, Y, Z, AC, AD AG, AH , AK, A M, AP, AR, AT , AV AX, AZ , BB, B D, BF, BH	1
342	BACB28Y5C037		...BUSHING- (USED ON ITEMS 312, 312A)	E, F, H , L, N-R, T , V, Y, Z, AC, AD AG, AH , AK, A M, AP, AR, AT , AV AX, AZ , BB, B D, BF, BH	2

71-11-33

 ILLUSTRATED PARTS LIST
 01.1 Page 1054F
 Jul 01/04

BOEING
 COMPONENT
 MAINTENANCE MANUAL

FIG. & ITEM	PART NO.	AIRLINE PART NUMBER	NOMENCLATURE	EFF CODE	QTY PER ASSY
07-342A	BACB28AW05A037C		1234567 ...BUSHING- (USED ON ITEM 312B)	E, F, H , L, N-R, T , V, Y, Z, AC, AD AG, AH , AK, A M, AP, AR, AT , AV AX, AZ , BB, B D, BF, BH	2
345	BACB28X6C020		...BUSHING	E, F, H , L, N-R, T , V, Y, Z, AC, AD AG, AH , AK, A M, AP, AR, AT , AV AX, AZ , BB, B D, BF, BH	1
348	BACB30NW5K		...BOLT- (SIZE DETERMINE ON INST) (USED ON ITEMS 312A, 312B)	E, F, H , L, N-R, T , V, Y, Z, AC, AD AG, AH , AK, A M, AP, AR, AT , AV AX, AZ , BB, B D, BF, BH	2

71-11-33

ILLUSTRATED PARTS LIST
 01.1 Page 1054G
 Jul 01/04

FIG. & ITEM	PART NO.	AIRLINE PART NUMBER	NOMENCLATURE 1234567	EFF CODE	QTY PER ASSY
07-351	HL70-5		...COLLAR- (V5M902) (SPEC BACC30M5) (OPT HL70-5 (V73197)) (OPT HL70-5 (V92215)) (OPT 66014-5 (V56878)) (OPT HL70-5 (V56878)) (USED ON ITEMS 312A, 312B)	E,F,H ,L, N-R,T ,V,Y, Z,AC, AD AG,AH ,AK,A M,AP, AR,AT ,AV AX,AZ ,BB,B D,BF, BH	2
354	315T3708-2		...SPRING-FLAT (USED ON ITEMS 312A, 312B)	E,F,H ,L, N-R,T ,V,Y, Z,AC, AD AG,AH ,AK,A M,AP, AR,AT ,AV AX,AZ ,BB,B D,BF, BH	1
357	315T3708-4		...SPRING-FLAT (USED ON ITEMS 312A, 312B)	E,F,H ,L, N-R,T ,V,Y, Z,AC, AD AG,AH ,AK,A M,AP, AR,AT ,AV AX,AZ ,BB,B D,BF, BH	1

71-11-33

ILLUSTRATED PARTS LIST

01.1 Page 1054H

Jul 01/04

BOEING
 COMPONENT
 MAINTENANCE MANUAL

FIG. & ITEM	PART NO.	AIRLINE PART NUMBER	NOMENCLATURE 1234567	EFF CODE	QTY PER ASSY
07-358	MS21141-0504P		...FASTENER	E, F, H , L, N-R, T , V, Y, Z, AC, AD AG, AH , AK, A M, AP, AR, AT , AV AX, AZ , BB, B D, BF, BH	2
359	315T3413-11		...STRIP-RUB	E, F, H , L, N-R, T , V, Y, Z, AC, AD AG, AH , AK, A M, AP, AR, AT , AV AX, AZ , BB, B D, BF, BH	1
360	315T3413-14		...FITTING- (USED ON ITEM 312)	E, F, H , L, N-R, T , V, Y, Z, AC, AD AG, AH , AK, A M, AP, AR, AT , AV AX, AZ , BB, B D, BF, BH	1

71-11-33

ILLUSTRATED PARTS LIST
 01.1 Page 1054I
 Jul 01/04

FIG. & ITEM	PART NO.	AIRLINE PART NUMBER	NOMENCLATURE	EFF CODE	QTY PER ASSY
07- -360A	315T3413-14		1234567 ...FITTING- (OPT ITEM 360B) (USED ON ITEMS 312A, 312B)	E, F, H , L, N-R, T , V, Y, Z, AC, AD AG, AH , AK, A M, AP, AR, AT , AV AX, AZ , BB, B D, BF, BH	1
-360B	315T3413-10		...FITTING- (OPT ITEM 360A) (USED ON ITEMS 312A, 312B)	E, F, H , L, N-R, T , V, Y, Z, AC, AD AG, AH , AK, A M, AP, AR, AT , AV AX, AZ , BB, B D, BF, BH	1
363	BACF3T03L9-10		..FILLER	E, F, H , L, N-R, T , V, Y, Z, AC, AD AG, AH , AK, A M, AP, AR, AT , AV AX, AZ , BB, B D, BF, BH	1

71-11-33

ILLUSTRATED PARTS LIST

01.1 Page 1054J

Jul 01/04

BOEING
 COMPONENT
 MAINTENANCE MANUAL

FIG. & ITEM	PART NO.	AIRLINE PART NUMBER	NOMENCLATURE	EFF CODE	QTY PER ASSY
07-366	BACF3T04M12-20		1234567 ..FILLER	E, F, H , L, N-R, T , V, Y, Z, AC, AD AG, AH , AK, A M, AP, AR, AT , AV AX, AZ , BB, B D, BF, BH	1
369	BACF3F011J011NN		..FILLER	E, F, H , L, N-R, T , V, Y, Z, AC, AD AG, AH , AK, A M, AP, AR, AT , AV AX, AZ , BB, B D, BF, BH	1
372	H2876-3		..LATCH ASSY- (V83014)	E, F, H , L, N-R, T , V, Y, Z, AC, AD AG, AH , AK, A M, AP, AR, AT , AV AX, AZ , BB, B D, BF, BH	3

71-11-33

ILLUSTRATED PARTS LIST
 01.1 Page 1054K
 Jul 01/04

FIG. & ITEM	PART NO.	AIRLINE PART NUMBER	NOMENCLATURE	EFF CODE	QTY PER ASSY
07- 375	315T1448-2		1234567 ATTACHING PARTS ..BOLT-SHOULDER	E,F,H L, N-R,T V,Y, Z,AC, AD AG,AH AK,A M,AP, AR,AT AV AX,AZ BB,B D,BF, BH	2

71-11-33

 ILLUSTRATED PARTS LIST
 01.1 Page 1054L
 Jul 01/04

BOEING
 COMPONENT
 MAINTENANCE MANUAL

FIG. & ITEM	PART NO.	AIRLINE PART NUMBER	NOMENCLATURE	EFF CODE	QTY PER ASSY
07-376	315T1448-2		1234567 ..BOLT-SHOULDER (USED ON ITEMS 15, 15A, 15H)	E, F, H , L, N-R, T , V, Y, Z, AC, AD AG, AH , AK, A M, AP, AR, AT , AV AX, AZ , BB, B D, BF, BH	1
-376A	315T1448-7		..BOLT-SHOULDER (USED ON ITEMS 15C, 15D, 15E, 15F, 15G)	E, F, H , L, N-R, T , V, Y, Z, AC, AD AG, AH , AK, A M, AP, AR, AT , AV AX, AZ , BB, B D, BF, BH	1

71-11-33

ILLUSTRATED PARTS LIST
 01.1 Page 1054M
 Jul 01/04

FIG. & ITEM	PART NO.	AIRLINE PART NUMBER	NOMENCLATURE	EFF CODE	QTY PER ASSY
07-378	AN960-516L		..WASHER	E, F, H L, N-R, T V, Y, Z, AC, AD AG, AH AK, A M, AP, AR, AT AV AX, AZ BB, B D, BF, BH	AR
381	AN960PD516L		..WASHER	E, F, H L, N-R, T V, Y, Z, AC, AD AG, AH AK, A M, AP, AR, AT AV AX, AZ BB, B D, BF, BH	AR
384	AN960-516		..WASHER	E, F, H L, N-R, T V, Y, Z, AC, AD AG, AH AK, A M, AP, AR, AT AV AX, AZ BB, B D, BF, BH	AR

71-11-33

ILLUSTRATED PARTS LIST

01.1 Page 1054N

Jul 01/04

BOEING
 COMPONENT
 MAINTENANCE MANUAL

FIG. & ITEM	PART NO.	AIRLINE PART NUMBER	NOMENCLATURE	EFF CODE	QTY PER ASSY
07-387	AN960-516L		1234567 ..WASHER	E, F, H L, N-R, T V, Y, Z, AC, AD AG, AH AK, A M, AP, AR, AT AV AX, AZ BB, B D, BF, BH	3
390	BACW10BP5ACU		..WASHER	E, F, H L, N-R, T V, Y, Z, AC, AD AG, AH AK, A M, AP, AR, AT AV AX, AZ BB, B D, BF, BH	3

71-11-33

ILLUSTRATED PARTS LIST
 01.1 Page 10540
 Jul 01/04

FIG. & ITEM	PART NO.	AIRLINE PART NUMBER	NOMENCLATURE 1234567	EFF CODE	QTY PER ASSY
07-393	BRH10C4M		..NUT- (V52828) (SPEC BACN10JC4CM) (OPT T6C428JM (V11815)) (OPT 97E48 (V80539)) (OPT 109LH9075-4W (V72962)) (OPT VN303D048 (V92215)) (OPT 9NS202101SE048 (VA8053)) (OPT H01-4BAC (V15653)) -----*-----	E,F,H ,L, N-R,T ,V,Y, Z,AC, AD AG,AH ,AK,A M,AP, AR,AT ,AV AX,AZ ,BB,B D,BF, BH	3
396	315T3422-15		..ZEE ASSY	A,B,D ,J,K, M,AJ, AL	1
-396A	315T3422-21		..ZEE ASSY	C,G,S ,U,W, X,AA, AB,AE ,AF AN,AQ ,AS,A U,AW, AY,BA ,BC BE,BG	1

71-11-33

ILLUSTRATED PARTS LIST

01.1 Page 1054P

Jul 01/04


BOEING
 COMPONENT
 MAINTENANCE MANUAL

FIG. & ITEM	PART NO.	AIRLINE PART NUMBER	NOMENCLATURE 1234567	EFF CODE	QTY PER ASSY
07-					
399	HL13VAZ6-5		ATTACHING PARTS ..BOLT- (V56878) (SPEC BACB30NY6K5) (OPT HL13VAZ6-5 (V73197)) (OPT HL13VAZ6-5 (V92215)) (OPT HL13VAZ6-5 (V97928)) (OPT L801-6K5 (V06725)) (OPT HL13VAZ6-5 (V08524)) (OPT HL13V5 (V06725)) (OPT HL13VAZ6-5 (V17446))	A-D,G ,J,K, M,S,U ,W,X, AA,AB AE,AF ,AJ,A L,AN, AQ,AS ,AU AW,AY ,BA,B C,BE, BG	1
402	HL1012AZ6-5		..BOLT- (V97928) (SPEC BACB30NX6K5) (OPT HL12VAZ6-5 (V73197)) (OPT HL12VAZ6-5 (V92215)) (OPT HL12VAZ6-5 (V97928)) (OPT L802-6K5 (V06725)) (OPT HL12VAZ6-5 (V56878)) (OPT HL1012AZ6-5 (V0PTK6)) (OPT HL1012AZ6-5 (V06725)) (OPT HL1012AZ6-5 (V06950)) (OPT HL1012AZ6-5 (V17446)) (OPT HL1012AZ6-5 (V56878)) (OPT HL1012AZ6-5 (V60516)) (OPT HL1012AZ6-5 (V73197))	A-D,G ,J,K, M,S,U ,W,X, AA,AB AE,AF ,AJ,A L,AN, AQ,AS ,AU AW,AY ,BA,B C,BE, BG	3

71-11-33

ILLUSTRATED PARTS LIST

01.1 Page 1054Q

Jul 01/04

FIG. & ITEM	PART NO.	AIRLINE PART NUMBER	NOMENCLATURE 1234567	EFF CODE	QTY PER ASSY
07-405	HL1012AZ6-7		..BOLT- (V97928) (SPEC BACB30NX6K7) (OPT HL12VAZ6-7 (V73197)) (OPT HL12VAZ6-7 (V92215)) (OPT HL12VAZ6-7 (V97928)) (OPT L802-6K7 (V06725)) (OPT HL12VAZ6-7 (V56878)) (OPT HL1012AZ6-7 (V0PTK6)) (OPT HL1012AZ6-7 (V06725)) (OPT HL1012AZ6-7 (V06950)) (OPT HL1012AZ6-7 (V17446)) (OPT HL1012AZ6-7 (V56878)) (OPT HL1012AZ6-7 (V60516)) (OPT HL1012AZ6-7 (V73197))	A-D,G ,J,K, M,S,U ,W,X, AA,AB AE,AF ,AJ,A L,AN, AQ,AS ,AU AW,AY ,BA,B C,BE, BG	2

71-11-33

ILLUSTRATED PARTS LIST

01.1 Page 1054R

Jul 01/04

BOEING
 COMPONENT
 MAINTENANCE MANUAL

FIG. & ITEM	PART NO.	AIRLINE PART NUMBER	NOMENCLATURE	EFF CODE	QTY PER ASSY
07-408	HL1012AZ6-8		1234567 ..BOLT- (V97928) (SPEC BACB30NX6K8) (OPT HL12VAZ6-8 (V73197)) (OPT HL12VAZ6-8 (V92215)) (OPT HL12VAZ6-8 (V97928)) (OPT L802-6K8 (V06725)) (OPT HL12VAZ6-8 (V56878)) (OPT HL1012AZ6-8 (V0PTK6)) (OPT HL1012AZ6-8 (V06725)) (OPT HL1012AZ6-8 (V06950)) (OPT HL1012AZ6-8 (V17446)) (OPT HL1012AZ6-8 (V56878)) (OPT HL1012AZ6-8 (V60516)) (OPT HL1012AZ6-8 (V73197))	A-D,G ,J,K, M,S,U ,W,X, AA,AB AE,AF ,AJ,A L,AN, AQ,AS ,AU AW,AY ,BA,B C,BE, BG	4

71-11-33

ILLUSTRATED PARTS LIST
 01.1 Page 1054S
 Jul 01/04

FIG. & ITEM	PART NO.	AIRLINE PART NUMBER	NOMENCLATURE 1234567	EFF CODE	QTY PER ASSY
07-411	HL1012AZ6-6		..BOLT- (V97928) (SPEC BACB30NX6K6) (OPT HL12VAZ6-6 (V73197)) (OPT HL12VAZ6-6 (V92215)) (OPT HL12VAZ6-6 (V97928)) (OPT L802-6K6 (V06725)) (OPT HL12VAZ6-6 (V56878)) (OPT HL1012AZ6-6 (V0PTK6)) (OPT HL1012AZ6-6 (V06725)) (OPT HL1012AZ6-6 (V06950)) (OPT HL1012AZ6-6 (V17446)) (OPT HL1012AZ6-6 (V56878)) (OPT HL1012AZ6-6 (V60516)) (OPT HL1012AZ6-6 (V73197))	A-D,G ,J,K, M,S,U ,W,X, AA,AB AE,AF ,AJ,A L,AN, AQ,AS ,AU AW,AY ,BA,B C,BE, BG	3
414	HL1187-6		..COLLAR- (V5M902) (SPEC BACC30X6) (OPT HL87-6 (V73197)) (OPT HL87-6 (V92215)) (OPT HL1187-6 (V56878)) (OPT HL1187-6 (V92215)) (OPT HL87-6 (V56878)) (OPT HL1187-6 (V73197))	A-D,G ,J,K, M,S,U ,W,X, AA,AB AE,AF ,AJ,A L,AN, AQ,AS ,AU AW,AY ,BA,B C,BE, BG	13

71-11-33

ILLUSTRATED PARTS LIST

01.1 Page 1054T

Jul 01/04

BOEING
 COMPONENT
 MAINTENANCE MANUAL

FIG. & ITEM	PART NO.	AIRLINE PART NUMBER	NOMENCLATURE 1234567	EFF CODE	QTY PER ASSY
07-417	MS21141-0606P		..FASTENER	A-D,G ,J,K, M,S,U ,W,X, AA,AB AE,AF ,AJ,A L,AN, AQ,AS ,AU AW,AY ,BA,B C,BE, BG	19
420	MS21141-0604P		..FASTENER	A-D,G ,J,K, M,S,U ,W,X, AA,AB AE,AF ,AJ,A L,AN, AQ,AS ,AU AW,AY ,BA,B C,BE, BG	7
423	NAS1398CW6-8		..RIVET	A-D,G ,J,K, M,S,U ,W,X, AA,AB AE,AF ,AJ,A L,AN, AQ,AS ,AU AW,AY ,BA,B C,BE, BG	1

71-11-33

ILLUSTRATED PARTS LIST

01.1 Page 1054U

Jul 01/04

FIG. & ITEM	PART NO.	AIRLINE PART NUMBER	NOMENCLATURE 1234567	EFF CODE	QTY PER ASSY
07-426	HL10VAZ8-10		..BOLT- (V60516) (SPEC BACB30MY8K10) (OPT B30MY8K10 (V97928))	A-D,G ,J,K, M,S,U ,W,X, AA,AB AE,AF ,AJ,A L,AN, AQ,AS ,AU AW,AY ,BA,B C,BE, BG	1
429	HL10VAZ8-4		..BOLT- (V60516) (SPEC BACB30MY8K4) (OPT B30MY8K4 (V97928))	A-D,G ,J,K, M,S,U ,W,X, AA,AB AE,AF ,AJ,A L,AN, AQ,AS ,AU AW,AY ,BA,B C,BE, BG	5
432	HL11VAZ6-9		..BOLT- (V60516) (SPEC BACB30NW6K9) (OPT B30NW6K9 (V97928)) (OPT HL11VAZ6-9 (V73197)) (OPT HL11VAZ6-9 (V92215)) (OPT HL11VAZ6-9 (V97928)) (OPT L803-6K9 (V06725)) (OPT HL11VAZ6-9 (V0PTK6)) (OPT HL11VAZ6-9 (V56878))	A-D,G ,J,K, M,S,U ,W,X, AA,AB AE,AF ,AJ,A L,AN, AQ,AS ,AU AW,AY ,BA,B C,BE, BG	1

71-11-33

 ILLUSTRATED PARTS LIST
 01.1 Page 1054V
 Jul 01/04

 **BOEING**
 COMPONENT
 MAINTENANCE MANUAL

FIG. & ITEM	PART NO.	AIRLINE PART NUMBER	NOMENCLATURE 1234567	EFF CODE	QTY PER ASSY
07-435	HL10VAZ8-2		..BOLT- (V60516) (SPEC BACB30MY8K2) (OPT B30MY8K2 (V97928))	A-D,G ,J,K, M,S,U ,W,X, AA,AB AE,AF ,AJ,A L,AN, AQ,AS ,AU AW,AY ,BA,B C,BE, BG	7
438	AN960PD10L		..WASHER	A-D,G ,J,K, M,S,U ,W,X, AA,AB AE,AF ,AJ,A L,AN, AQ,AS ,AU AW,AY ,BA,B C,BE, BG	1
441	HL79-8		..COLLAR- (V5M902) (SPEC BACC30M8) (OPT HL79-8 (V73197)) (OPT HL79-8 (V92215)) (OPT 66014-8 (V56878)) (OPT HL79-8 (V56878))	A-D,G ,J,K, M,S,U ,W,X, AA,AB AE,AF ,AJ,A L,AN, AQ,AS ,AU AW,AY ,BA,B C,BE, BG	12

71-11-33

ILLUSTRATED PARTS LIST
 01.1 Page 1054W
 Jul 01/04

FIG. & ITEM	PART NO.	AIRLINE PART NUMBER	NOMENCLATURE 1234567	EFF CODE	QTY PER ASSY
07-444	BACN10GW3		..NUT	A-D,G ,J,K, M,S,U ,W,X, AA,AB AE,AF ,AJ,A L,AN, AQ,AS ,AU AW,AY ,BA,B C,BE, BG	1
447	BRH10A4		..NUT- (V52828) (SPEC BACN10JC4) (OPT T6S428J (V11815)) (OPT 96-048 (V80539)) (OPT VN303A048 (V92215)) (OPT RMLH9075-4W (V72962)) (OPT NS202101-048 (V80539)) (OPT H10-4BAC (V15653))	A-D,G ,J,K, M,S,U ,W,X, AA,AB AE,AF ,AJ,A L,AN, AQ,AS ,AU AW,AY ,BA,B C,BE, BG	1

71-11-33

 ILLUSTRATED PARTS LIST
 01.1 Page 1054X
 Jul 01/04

BOEING
 COMPONENT
 MAINTENANCE MANUAL

FIG. & ITEM	PART NO.	AIRLINE PART NUMBER	NOMENCLATURE 1234567	EFF CODE	QTY PER ASSY
07-450	HL10VAZ6-2		..BOLT- (V60516) (SPEC BACB30MY6K2) (OPT B30MY6K2 (V97928))	A-D,G ,J,K, M,S,U ,W,X, AA,AB AE,AF ,AJ,A L,AN, AQ,AS ,AU AW,AY ,BA,B C,BE, BG	6
453	HL10VAZ6-7		..BOLT- (V60516) (SPEC BACB30MY6K7) (OPT B30MY6K7 (V97928))	A-D,G ,J,K, M,S,U ,W,X, AA,AB AE,AF ,AJ,A L,AN, AQ,AS ,AU AW,AY ,BA,B C,BE, BG	3
456	HL10VAZ6-8		..BOLT- (V60516) (SPEC BACB30MY6K8) (OPT B30MY6K8 (V97928))	A-D,G ,J,K, M,S,U ,W,X, AA,AB AE,AF ,AJ,A L,AN, AQ,AS ,AU AW,AY ,BA,B C,BE, BG	1

71-11-33

ILLUSTRATED PARTS LIST

01.1 Page 1054Y

Jul 01/04

FIG. & ITEM	PART NO.	AIRLINE PART NUMBER	NOMENCLATURE 1234567	EFF CODE	QTY PER ASSY
07-459	HL11VAZ6-2		..BOLT- (V60516) (SPEC BACB30NW6K2) (OPT B30NW6K2 (V97928)) (OPT HL11VAZ6-2 (V73197)) (OPT HL11VAZ6-2 (V92215)) (OPT HL11VAZ6-2 (V97928)) (OPT L803-6K2 (V06725)) (OPT HL11VAZ6-2 (VOPTK6)) (OPT HLVAZ6-2 (V56878))	A-D,G ,J,K, M,S,U ,W,X, AA,AB AE,AF ,AJ,A L,AN, AQ,AS ,AU AW,AY ,BA,B C,BE, BG	1
462	HL11VAZ6-3		..BOLT- (V60516) (SPEC BACB30NW6K3) (OPT B30NW6K3 (V97928)) (OPT HL11VAZ6-3 (V73197)) (OPT HL11VAZ6-3 (V92215)) (OPT HL11VAZ6-3 (V97928)) (OPT L803-6K3 (V06725)) (OPT HL11VAZ6-3 (VOPTK6)) (OPT HL11VAZ6-3 (V56878))	A-D,G ,J,K, M,S,U ,W,X, AA,AB AE,AF ,AJ,A L,AN, AQ,AS ,AU AW,AY ,BA,B C,BE, BG	2

71-11-33

ILLUSTRATED PARTS LIST

01.1 Page 1054Z

Jul 01/04

 **BOEING**
 COMPONENT
 MAINTENANCE MANUAL

FIG. & ITEM	PART NO.	AIRLINE PART NUMBER	NOMENCLATURE	EFF CODE	QTY PER ASSY
07-465	HL79-6		1234567 ..COLLAR- (V5M902) (SPEC BACC30M6) (OPT HL79-6 (V73197)) (OPT HL79-6 (V92215)) (OPT 66014-6 (V56878)) (OPT HL79-6 (V56878))	A-D,G ,J,K, M,S,U ,W,X, AA,AB AE,AF ,AJ,A L,AN, AQ,AS ,AU AW,AY ,BA,B C,BE, BG	11
468	H10-3BAC		..NUT- (V15653) (SPEC BACN10JC3) (OPT NS202101-02 (V80539)) (OPT RMLH9075-3W (V72962)) (OPT T6S1032J (V71087)) (OPT VN303A02 (V92215)) (OPT 96-02 (V80539)) (OPT BRH10A3 (V52828))	A-D,G ,J,K, M,S,U ,W,X, AA,AB AE,AF ,AJ,A L,AN, AQ,AS ,AU AW,AY ,BA,B C,BE, BG	2
471	BACB30NU3K6		..BOLT	A-D,G ,J,K, M,S,U ,W,X, AA,AB AE,AF ,AJ,A L,AN, AQ,AS ,AU AW,AY ,BA,B C,BE, BG	3

71-11-33

ILLUSTRATED PARTS LIST

01.1

Page 1055

Jul 01/04

FIG. & ITEM	PART NO.	AIRLINE PART NUMBER	NOMENCLATURE 1234567	EFF CODE	QTY PER ASSY
07-474	MS21042L3		..NUT	A-D,G ,J,K, M,S,U ,W,X, AA,AB AE,AF ,AJ,A L,AN, AQ,AS ,AU AW,AY ,BA,B C,BE, BG	3
477	HL11VAZ5-3		..BOLT- (V60516) (SPEC BACB30NW5K3) (OPT B30NW5K3 (V97928)) (OPT HL11VAZ5-3 (V73197)) (OPT HL11VAZ5-3 (V92215)) (OPT HL11VAZ5-3 (V97928)) (OPT L803-5K3 (V06725)) (OPT HL11VAZ5-3 (V0PTK6)) (OPT HL11VAZ5-3 (V56878))	A-D,G ,J,K, M,S,U ,W,X, AA,AB AE,AF ,AJ,A L,AN, AQ,AS ,AU AW,AY ,BA,B C,BE, BG	9

71-11-33

ILLUSTRATED PARTS LIST

01.1

Page 1056

Jul 01/04


BOEING
 COMPONENT
 MAINTENANCE MANUAL

FIG. & ITEM	PART NO.	AIRLINE PART NUMBER	NOMENCLATURE	EFF CODE	QTY PER ASSY
07-480	HL70-5		1234567 ..COLLAR- (V5M902) (SPEC BACC30M5) (OPT HL70-5 (V73197)) (OPT HL70-5 (V92215)) (OPT 66014-5 (V56878)) (OPT HL70-5 (V56878))	A-D,G ,J,K, M,S,U ,W,X, AA,AB AE,AF ,AJ,A L,AN, AQ,AS ,AU AW,AY ,BA,B C,BE, BG	9
483	BACB30NM4K12		-----*----- ...BOLT	A,B,D ,J,K, M,AJ, AL	8
484	BACB30NM4K13		...BOLT	C,G,S ,U,W, X,AA, AB,AE ,AF AN,AQ ,AS,A U,AW, AY,BA ,BC BE,BG	4

71-11-33

ILLUSTRATED PARTS LIST

01.1 Page 1056A

Jul 01/04

FIG. & ITEM	PART NO.	AIRLINE PART NUMBER	NOMENCLATURE 1234567	EFF CODE	QTY PER ASSY
07-485	BACB30NM4K12		...BOLT	C,G,S ,U,W, X,AA, AB,AE ,AF AN,AQ ,AS,A U,AW, AY,BA ,BC BE,BG	4
486	H2899-5		...KEEPER ASSY- (V83014)	A-D,G ,J,K, M,S,U ,W,X, AA,AB AE,AF ,AJ,A L,AN, AQ,AS ,AU AW,AY ,BA,B C,BE, BG	2
489	BACR15CE3D		...RIVET- (SIZE DETERMINE ON INST)	A-D,G ,J,K, M,S,U ,W,X, AA,AB AE,AF ,AJ,A L,AN, AQ,AS ,AU AW,AY ,BA,B C,BE, BG	24

71-11-33

ILLUSTRATED PARTS LIST

01.1 Page 1056B

Jul 01/04


BOEING
 COMPONENT
 MAINTENANCE MANUAL

FIG. & ITEM	PART NO.	AIRLINE PART NUMBER	NOMENCLATURE 1234567	EFF CODE	QTY PER ASSY
07-492	109F177-4		...NUTPLATE- (V72962) (SPEC BACN10JA4CM) (OPT F2401-4 (V15653)) (OPT 43710E048 (V80539)) (OPT BRF110C4M (V52828)) (OPT BRF170C4M (V52828))	A-D,G ,J,K, M,S,U ,W,X, AA,AB AE,AF ,AJ,A L,AN, AQ,AS ,AU AW,AY ,BA,B C,BE, BG	6
495	BRM300C4M		...NUTPLATE- (V52828) (SPEC BACN10JP4CCM) (OPT MK3001-4BAC (V15653)) (OPT NS103199SE048 (V80539)) (OPT T8082C428 (V11815)) (OPT VN203D1-048 (V92215)) (OPT 109A9205M4 (V72962))	A-D,G ,J,K, M,S,U ,W,X, AA,AB AE,AF ,AJ,A L,AN, AQ,AS ,AU AW,AY ,BA,B C,BE, BG	6
498	315T3422-16		...ZEE	A-D,G ,J,K, M,S,U ,W,X, AA,AB AE,AF ,AJ,A L,AN, AQ,AS ,AU AW,AY ,BA,B C,BE, BG	1

71-11-33

ILLUSTRATED PARTS LIST

01.1 Page 1056C

Jul 01/04

FIG. & ITEM	PART NO.	AIRLINE PART NUMBER	NOMENCLATURE	EFF CODE	QTY PER ASSY
07-501	315T3417-3		1234567 ...BUSHING ASSY	A-D,G ,J,K, M,S,U ,W,X, AA,AB AE,AF ,AJ,A L,AN, AQ,AS ,AU AW,AY ,BA,B C,BE, BG	3
504	HL11VAZ5-7		ATTACHING PARTS ...BOLT- (V60516) (SPEC BACB30NW5K7) (OPT B30NW5K7 (V97928)) (OPT HL11VAZ5-7 (V73197)) (OPT HL11VAZ5-7 (V92215)) (OPT HL11VAZ5-7 (V97928)) (OPT L803-5K7 (V06725)) (OPT HL11VAZ5-7 (V0PTK6)) (OPT HL11VAZ5-7 (V56878))	A-D,G ,J,K, M,S,U ,W,X, AA,AB AE,AF ,AJ,A L,AN, AQ,AS ,AU AW,AY ,BA,B C,BE, BG	12

71-11-33

ILLUSTRATED PARTS LIST

01.1 Page 1056D

Jul 01/04

BOEING
 COMPONENT
 MAINTENANCE MANUAL

FIG. & ITEM	PART NO.	AIRLINE PART NUMBER	NOMENCLATURE 1234567	EFF CODE	QTY PER ASSY
07-507	HL70-5		...COLLAR- (V5M902) (SPEC BACC30M5) (OPT HL70-5 (V73197)) (OPT HL70-5 (V92215)) (OPT 66014-5 (V56878)) (OPT HL70-5 (V56878))	A-D,G ,J,K, M,S,U ,W,X, AA,AB AE,AF ,AJ,A L,AN, AQ,AS ,AU AW,AY ,BA,B C,BE, BG	12
510	BACR15CE3M		-----*----- ...RIVET- (SIZE DETERMINE ON INST)	A-D,G ,J,K, M,S,U ,W,X, AA,AB AE,AF ,AJ,A L,AN, AQ,AS ,AU AW,AY ,BA,B C,BE, BG	2
513	109F177-4		...NUTPLATE- (V72962) (SPEC BACN10JA4CM) (OPT F2401-4 (V15653)) (OPT 43710E048 (V80539)) (OPT BRF110C4M (V52828)) (OPT BRF170C4M (V52828))	A-D,G ,J,K, M,S,U ,W,X, AA,AB AE,AF ,AJ,A L,AN, AQ,AS ,AU AW,AY ,BA,B C,BE, BG	1

71-11-33

ILLUSTRATED PARTS LIST
 01.1 Page 1056E
 Jul 01/04

FIG. & ITEM	PART NO.	AIRLINE PART NUMBER	NOMENCLATURE 1234567	EFF CODE	QTY PER ASSY
07-516	315T3417-4	BUSHING	A-D,G ,J,K, M,S,U ,W,X, AA,AB AE,AF ,AJ,A L,AN, AQ,AS ,AU AW,AY ,BA,B C,BE, BG	1
517	314T1339-3		...STOP-ANTI-ROTATION	C,G,S ,U,W, X,AA, AB,AE ,AF AN,AQ ,AS,A U,AW, AY,BA ,BC BE,BG	2
519	BACB30LL3-3		..BOLT	A-D,G ,J,K, M,S,U ,W,X, AA,AB AE,AF ,AJ,A L,AN, AQ,AS ,AU AW,AY ,BA,B C,BE, BG	2

71-11-33

 ILLUSTRATED PARTS LIST
 01.1 Page 1056F
 Jul 01/04

BOEING
 COMPONENT
 MAINTENANCE MANUAL

FIG. & ITEM	PART NO.	AIRLINE PART NUMBER	NOMENCLATURE	EFF CODE	QTY PER ASSY
07-522	315T3411-1		1234567 ..STRIP-FAIRING	A-D,G ,J,K, M,S,U ,W,X, AA,AB AE,AF ,AJ,A L,AN, AQ,AS ,AU AW,AY ,BA,B C,BE, BG	1
525	BACR15BA3AD		..RIVET- (SIZE DETERMINE ON INST)	A-D,G ,J,K, M,S,U ,W,X, AA,AB AE,AF ,AJ,A L,AN, AQ,AS ,AU AW,AY ,BA,B C,BE, BG	14
528	109F177-3		..NUTPLATE- (V72962) (SPEC BACN10JA3CM) (OPT F2401-3 (V15653)) (OPT 43710E02 (V80539)) (OPT BRF110C3M (V52828)) (OPT BRF170C3M (V52828))	A-D,G ,J,K, M,S,U ,W,X, AA,AB AE,AF ,AJ,A L,AN, AQ,AS ,AU AW,AY ,BA,B C,BE, BG	3

71-11-33

ILLUSTRATED PARTS LIST
 01.1 Page 1056G
 Jul 01/04

FIG. & ITEM	PART NO.	AIRLINE PART NUMBER	NOMENCLATURE 1234567	EFF CODE	QTY PER ASSY
07-531	MK4001-3BAC		..NUTPLATE- (V15653) (SPEC BACN10JP3DCM) (OPT NS103200SE02 (V80539)) (OPT T8083C1032 (V11815)) (OPT VN204D1-02 (V92215)) (OPT 109A9209M3 (V72962))	A-D,G ,J,K, M,S,U ,W,X, AA,AB AE,AF ,AJ,A L,AN, AQ,AS ,AU AW,AY ,BA,B C,BE, BG	3
534	BR3000C3M		..NUTPLATE- (V52828) (SPEC BACN10KF3CM) (OPT K3001-3BAC (V15653)) (OPT NS103195SE02 (V80539)) (OPT VN103D1-02 (V92215)) (OPT 102A9205-3 (V72962)) (OPT T8119C3 (V11815))	A-D,G ,J,K, M,S,U ,W,X, AA,AB AE,AF ,AJ,A L,AN, AQ,AS ,AU AW,AY ,BA,B C,BE, BG	1
537	BACR15FT5KE		..RIVET- (SIZE DETERMINE ON INST)	A-D,G ,J,K, M,S,U ,W,X, AA,AB AE,AF ,AJ,A L,AN, AQ,AS ,AU AW,AY ,BA,B C,BE, BG	4

71-11-33

 ILLUSTRATED PARTS LIST
 01.1 Page 1056H
 Jul 01/04


BOEING
 COMPONENT
 MAINTENANCE MANUAL

FIG. & ITEM	PART NO.	AIRLINE PART NUMBER	NOMENCLATURE 1234567	EFF CODE	QTY PER ASSY
07-538	MS20615-5MP		..RIVET	A-D,G ,J,K, M,S,U ,W,X, AA,AB AE,AF ,AJ,A L,AN, AQ,AS ,AU AW,AY ,BA,B C,BE, BG	1
540	315T3665-9		..KEEPER-LATCH (OPT ITEM 540A)	A-D,G ,J,K, M,S,U ,W,X, AA,AB AE,AG ,AJ,A L,AN, AQ,AS ,AU AW,AY ,BA,B C,BE, BG	1
-540A	315T3665-10		..KEEPER-LATCH (OPT ITEM 540)	A-D,G ,J,K, M,S,U ,W,X, AA,AB AE,AF ,AJ,A L,AN, AQ,AS ,AU AW,AY ,BA,B C,BE, BG	1

71-11-33

ILLUSTRATED PARTS LIST

01.1 Page 1056I

Jul 01/04

FIG. & ITEM	PART NO.	AIRLINE PART NUMBER	NOMENCLATURE 1234567	EFF CODE	QTY PER ASSY
07-543	315T3400-130		..FILLER	A-D,G ,J,K, M,S,U ,W,X, AA,AB AE,AF ,AJ,A L,AN, AQ,AS ,AU AW,AY ,BA,B C,BE, BG	3
546	BACR15CE5KE		..RIVET- (SIZE DETERMINE ON INST)	A-D,G ,J,K, M,S,U ,W,X, AA,AB AE,AF ,AJ,A L,AN, AQ,AS ,AU AW,AY ,BA,B C,BE, BG	2
547	315T3400-276		..FILLER- (USED ON ITEMS 10, 10B, 10C)	A-D,G ,J,K, M,S,U ,W,X, AA,AB AE,AF ,AJ,A L,AN, AQ,AS ,AU AW,AY ,BA,B C,BE, BG	AR

71-11-33

ILLUSTRATED PARTS LIST

01.1 Page 1056J

Jul 01/04

BOEING
 COMPONENT
 MAINTENANCE MANUAL

FIG. & ITEM	PART NO.	AIRLINE PART NUMBER	NOMENCLATURE	EFF CODE	QTY PER ASSY
07-549	BACR15CE5D		1234567 ..RIVET- (SIZE DETERMINE ON INST)	A-D,G ,J,K, M,S,U ,W,X, AA,AB AE,AF ,AJ,A L,AN, AQ,AS ,AU AW,AY ,BA,B C,BE, BG	1
550	315T4400-92		..FILLER- (USED ON ITEMS 10, 10B, 10C)	A-D,G ,J,K, M,S,U ,W,X, AA,AB AE,AF ,AJ,A L,AN, AQ,AS ,AU AW,AY ,BA,B C,BE, BG	AR

71-11-33

ILLUSTRATED PARTS LIST
 01.1 Page 1056K
 Jul 01/04

FIG. & ITEM	PART NO.	AIRLINE PART NUMBER	NOMENCLATURE 1234567	EFF CODE	QTY PER ASSY
07-552	315T3400-263		..KEEPER-LATCH (OPT ITEM 552B) (USED ON ITEMS 10, 10B, 10C)	A-D,G ,J,K, M,S,U ,W,X, AA,AB AE,AF ,AJ,A L,AN, AQ,AS ,AU AW,AY ,BA,B C,BE, BG	1
-552A	315T3400-275		..KEEPER-LATCH (OPT ITEM 552C) (USED ON ITEM 10D)	C,G,S ,U,W, X,AA, AB,AE ,AF AN,AQ ,AS,A U,AW, AY,BA ,BC BE,BG	1

71-11-33

ILLUSTRATED PARTS LIST

01.1 Page 1056L

Jul 01/04

BOEING
 COMPONENT
 MAINTENANCE MANUAL

FIG. & ITEM	PART NO.	AIRLINE PART NUMBER	NOMENCLATURE	EFF CODE	QTY PER ASSY
07- -552B	315T4400-91		1234567 ..KEEPER-LATCH (OPT ITEM 552) (USED ON ITEMS 10, 10B, 10C)	A-D,G ,J,K, M,S,U ,W,X, AA,AB AE,AF ,AJ,A L,AN, AQ,AS ,AU AW,AY ,BA,B C,BE, BG	1
-552C	315T4400-91		..KEEPER-LATCH (OPT ITEM 552A) (USED ON ITEM 10D)	C,G,S ,U,W, X,AA, AB,AE ,AF AN,AQ ,AS,A U,AW, AY,BA ,BC BE,BG	1
555	315T3411-2		..STRIP-FAIRING	E,F,H ,L, N-R,T ,V,Y, Z,AC, AD AG,AH ,AK,A M,AP, AR,AT ,AV AX,AZ ,BB,B D,BF, BH	1

71-11-33

ILLUSTRATED PARTS LIST
 01.1 Page 1056M
 Jul 01/04

FIG. & ITEM	PART NO.	AIRLINE PART NUMBER	NOMENCLATURE	EFF CODE	QTY PER ASSY
07-558	315T3400-67		1234567 ..ANGLE	A-D,G ,J,K, M,S,U ,W,X, AA,AB AE,AF ,AJ,A L,AN, AQ,AS ,AU AW,AY ,BA,B C,BE, BG E,F,H	1
561	BACR15BA3AD		..RIVET- (SIZE DETERMINE ON INST)	L, N-R,T ,V,Y, Z,AC, AD AG,AH ,AK,A M,AP, AR,AT ,AV AX,AZ ,BB,B D,BF, BH	12

71-11-33

 ILLUSTRATED PARTS LIST
 01.1 Page 1056N
 Jul 01/04

BOEING
 COMPONENT
 MAINTENANCE MANUAL

FIG. & ITEM	PART NO.	AIRLINE PART NUMBER	NOMENCLATURE	EFF CODE	QTY PER ASSY
07-564	109F177-3		1234567 ..NUTPLATE- (V72962) (SPEC BACN10JA3CM) (OPT F2401-3 (V15653)) (OPT 43710E02 (V80539)) (OPT BRF110C3M (V52828)) (OPT BRF170C3M (V52828))	E,F,H ,L, N-R,T ,V,Y, Z,AC, AD AG,AH ,AK,A M,AP, AR,AT ,AV AX,AZ ,BB,B D,BF, BH	1
567	MK4001-3BAC		..NUTPLATE- (V15653) (SPEC BACN10JP3DCM) (OPT NS103200SE02 (V80539)) (OPT T8083C1032 (V11815)) (OPT VN204D1-02 (V92215)) (OPT 109A9209M3 (V72962))	E,F,H ,L, N-R,T ,V,Y, Z,AC, AD AG,AH ,AK,A M,AP, AR,AT ,AV AX,AZ ,BB,B D,BF, BH	5

71-11-33

ILLUSTRATED PARTS LIST
 01.1 Page 10560
 Jul 01/04

FIG. & ITEM	PART NO.	AIRLINE PART NUMBER	NOMENCLATURE	EFF CODE	QTY PER ASSY
07-570	BACB30LH2-3		..BOLT	E, F, H L, N-R, T V, Y, Z, AC, AD AG, AH AK, A M, AP, AR, AT AV AX, AZ BB, B D, BF, BH	1
573	BACB30LH2-4		..BOLT	E, F, H L, N-R, T V, Y, Z, AC, AD AG, AH AK, A M, AP, AR, AT AV AX, AZ BB, B D, BF, BH	1
576A	315T3400-244		..COVER	E, F, H L, N-R, T V, Y, Z, AC, AD AG, AH AK, A M, AP, AR, AT AV AX, AZ BB, B D, BF, BH	1

71-11-33

ILLUSTRATED PARTS LIST

01.1 Page 1056P

Jul 01/04

BOEING
 COMPONENT
 MAINTENANCE MANUAL

FIG. & ITEM	PART NO.	AIRLINE PART NUMBER	NOMENCLATURE	EFF CODE	QTY PER ASSY
07-579	HL11VAZ6-5		1234567 ..BOLT- (V60516) (SPEC BACB30NW6K5) (OPT HL11V6-5 (V92215)) (OPT HL11V6-5 (V97928)) (OPT L803-6-5 (V06725)) (OPT B30NW6K5 (V97928)) (OPT HL11VAZ6-5 (V73197)) (OPT HL11VAZ6-5 (V92215)) (OPT HL11VAZ6-5 (V56878))	E,F,H ,L, N-R,T ,V,Y, Z,AC, AD AG,AH ,AK,A M,AP, AR,AT ,AV AX,AZ ,BB,B D,BF, BH	1
582	HL10VAZ6-5		..BOLT- (V60516) (SPEC BACB30MY6K5) (OPT B30MY6K5 (V97928))	E,F,H ,L, N-R,T ,V,Y, Z,AC, AD AG,AH ,AK,A M,AP, AR,AT ,AV AX,AZ ,BB,B D,BF, BH	1

71-11-33

ILLUSTRATED PARTS LIST
 01.1 Page 1056Q
 Jul 01/04

FIG. & ITEM	PART NO.	AIRLINE PART NUMBER	NOMENCLATURE 1234567	EFF CODE	QTY PER ASSY
07-585	HL79-6		..COLLAR- (V5M902) (SPEC BACC30M6) (OPT HL79-6 (V73197)) (OPT HL79-6 (V92215)) (OPT 66014-6 (V56878)) (OPT HL79-6 (V56878))	E,F,H ,L, N-R,T ,V,Y, Z,AC, AD AG,AH ,AK,A M,AP, AR,AT ,AV AX,AZ ,BB,B D,BF, BH	2
588	NAS1398CW5-3		..RIVET- (OPT ITEM 588A)	E,F,H ,L, N-R,T ,V,Y, Z,AC, AD AG,AH ,AK,A M,AP, AR,AT ,AV AX,AZ ,BB,B D,BF, BH	1
-588A	BACR15FT5KE3C		..RIVET- (OPT ITEM 588)	E,F,H ,L, N-R,T ,V,Y, Z,AC, AD AG,AH ,AK,A M,AP, AR,AT ,AV AX,AZ ,BB,B D,BF, BH	1

71-11-33

ILLUSTRATED PARTS LIST

01.1 Page 1056R

Jul 01/04

BOEING
 COMPONENT
 MAINTENANCE MANUAL

FIG. & ITEM	PART NO.	AIRLINE PART NUMBER	NOMENCLATURE	EFF CODE	QTY PER ASSY
07-591	NAS1398CW5-4		1234567 ..RIVET- (OPT ITEM 591A)	E, F, H , L, N-R, T , V, Y, Z, AC, AD AG, AH , AK, A M, AP, AR, AT , AV AX, AZ , BB, B D, BF, BH	1
-591A	BACR15FT5KE4C		..RIVET- (OPT ITEM 591)	E, F, H , L, N-R, T , V, Y, Z, AC, AD AG, AH , AK, A M, AP, AR, AT , AV AX, AZ , BB, B D, BF, BH	1
594	BACR15FT6KE		..RIVET- (SIZE DETERMINE ON INST)	E, F, H , L, N-R, T , V, Y, Z, AC, AD AG, AH , AK, A M, AP, AR, AT , AV AX, AZ , BB, B D, BF, BH	3

71-11-33

ILLUSTRATED PARTS LIST
 01.1 Page 1056S
 Jul 01/04

FIG. & ITEM	PART NO.	AIRLINE PART NUMBER	NOMENCLATURE	EFF CODE	QTY PER ASSY
07-597	MS21141-0612P		1234567 ..FASTENER	E,F,H L, N-R,T V,Y, Z,AC, AD AG,AH AK,A M,AP, AR,AT AV AX,AZ BB,B D,BF, BH	2
600 600A	MS21141-0611P MS21140-0611P		DELETED ..FASTENER	E,F,H L, N-R,T V,Y, Z,AC, AD AG,AH AK,A M,AP, AR,AT AV AX,AZ BB,B D,BF, BH	1

71-11-33

 ILLUSTRATED PARTS LIST
 01.1 Page 1056T
 Jul 01/04

BOEING
 COMPONENT
 MAINTENANCE MANUAL

FIG. & ITEM	PART NO.	AIRLINE PART NUMBER	NOMENCLATURE	EFF CODE	QTY PER ASSY
07-603	315T3400-137		1234567 ..CLIP-V	E,F,H ,L, N-R,T ,V,Y, Z,AC, AD AG,AH ,AK,A M,AP, AR,AT ,AV AX,AZ ,BB,B D,BF, BH	1
606	315T3400-62		..CHANNEL	E,F,H ,L, N-R,T ,V,Y, Z,AC, AD AG,AH ,AK,A M,AP, AR,AT ,AV AX,AZ ,BB,B D,BF, BH	1

71-11-33

ILLUSTRATED PARTS LIST
 01.1 Page 1056U
 Jul 01/04

FIG. & ITEM	PART NO.	AIRLINE PART NUMBER	NOMENCLATURE	EFF CODE	QTY PER ASSY
07-609	BACR15BA3AD		..RIVET- (SIZE DETERMINE ON INST)	E,F,H ,L, N-R,T ,V,Y, Z,AC, AD AG,AH ,AK,A M,AP, AR,AT ,AV AX,AZ ,BB,B D,BF, BH	4
612	BRM200C08M		..NUTPLATE- (V52828) (SPEC BACN10JP08ACM) (OPT MK1001-08BAC (V15653)) (OPT NS103197SE82 (V80539)) (OPT T8080C832 (V11815)) (OPT VN202D1-82 (V92215)) (OPT 109A9201M82 (V72962))	E,F,H ,L, N-R,T ,V,Y, Z,AC, AD AG,AH ,AK,A M,AP, AR,AT ,AV AX,AZ ,BB,B D,BF, BH	1

71-11-33

ILLUSTRATED PARTS LIST

01.1 Page 1056V

Jul 01/04

BOEING
 COMPONENT
 MAINTENANCE MANUAL

FIG. & ITEM	PART NO.	AIRLINE PART NUMBER	NOMENCLATURE	EFF CODE	QTY PER ASSY
			1234567		
07-615	BRF100C08M		..NUTPLATE- (V52828) (SPEC BACN10KB08CFM) (OPT 109F9207-82 (V72962)) (OPT T8113C832C (V11815)) (OPT VN151D1-82 (V92215)) (OPT F2001-08 (V15653)) (OPT 109F9207-82 (V72962))	E,F,H ,L, N-R,T ,V,Y, Z,AC, AD AG,AH ,AK,A M,AP, AR,AT ,AV AX,AZ ,BB,B D,BF, BH	1
618	HL11VAZ6-5		..BOLT- (V60516) (SPEC BACB30NW6K5) (OPT HL11V6-5 (V92215)) (OPT HL11V6-5 (V97928)) (OPT L803-6-5 (V06725)) (OPT B30NW6K5 (V97928)) (OPT HL11VAZ6-5 (V73197)) (OPT HL11VAZ6-5 (V92215)) (OPT HL11VAZ6-5 (V56878))	E,F,H ,L, N-R,T ,V,Y, Z,AC, AD AG,AH ,AK,A M,AP, AR,AT ,AV AX,AZ ,BB,B D,BF, BH	3

71-11-33

ILLUSTRATED PARTS LIST
 01.1 Page 1056W
 Jul 01/04

FIG. & ITEM	PART NO.	AIRLINE PART NUMBER	NOMENCLATURE	EFF CODE	QTY PER ASSY
07-621	HL79-6		1234567 ..COLLAR- (V5M902) (SPEC BACC30M6) (OPT HL79-6 (V73197)) (OPT HL79-6 (V92215)) (OPT 66014-6 (V56878)) (OPT HL79-6 (V56878))	E,F,H ,L, N-R,T ,V,Y, Z,AC, AD AG,AH ,AK,A M,AP, AR,AT ,AV AX,AZ ,BB,B D,BF, BH	3
624	315T3403-8		..FITTING ASSY-LATCH	E,F,H ,L, N-R,T ,V,Y, Z,AC, AD AG,AH ,AK,A M,AP, AR,AT ,AV AX,AZ ,BB,B D,BF, BH	3

71-11-33

 ILLUSTRATED PARTS LIST
 01.1 Page 1056X
 Jul 01/04

BOEING
 COMPONENT
 MAINTENANCE MANUAL

FIG. & ITEM	PART NO.	AIRLINE PART NUMBER	NOMENCLATURE	EFF CODE	QTY PER ASSY
			1234567		
07-627A	BACB28X6C015		...BUSHING- (OPT ITEM 627B)	E, F, H , L, N-R, T , V, Y, Z, AC, AD AG, AH , AK, A M, AP, AR, AT , AV AX, AZ , BB, B D, BF, BH	1
-627B	BACB28AM06B021A		...BUSHING- (OPT ITEM 627A)	E, F, H , L, N-R, T , V, Y, Z, AC, AD AG, AH , AK, A M, AP, AR, AT , AV AX, AZ , BB, B D, BF, BH	1

71-11-33

ILLUSTRATED PARTS LIST
 01.1 Page 1056Y
 Jul 01/04

FIG. & ITEM	PART NO.	AIRLINE PART NUMBER	NOMENCLATURE 1234567	EFF CODE	QTY PER ASSY
07-630	315T3414-1		...BUSHING	E, F, H L, N-R, T V, Y, Z, AC, AD AG, AH AK, A M, AP, AR, AT AV AX, AZ BB, B D, BF, BH	2
633	315T3403-9		...FITTING- (OPT ITEM 633A)	E, F, H L, N-R, T V, Y, Z, AC, AD AG, AH AK, A M, AP, AR, AT AV AX, AZ BB, B D, BF, BH	1
-633A	315T3403-10		...FITTING- (OPT ITEM 633)	E, F, H L, N-R, T V, Y, Z, AC, AD AG, AH AK, A M, AP, AR, AT AV AX, AZ BB, B D, BF, BH	1

71-11-33

 ILLUSTRATED PARTS LIST
 01.1 Page 1056Z
 Jul 01/04

BOEING
 COMPONENT
 MAINTENANCE MANUAL

FIG. & ITEM	PART NO.	AIRLINE PART NUMBER	NOMENCLATURE	EFF CODE	QTY PER ASSY
07-636	315T3416-32		1234567 ..DOOR ASSY-EXH (USED ON ITEMS 15, 15A 15C, 15D, 15E, 15H)	E, F, H , L, N-R, T , V, Y, Z, AC, AD AG, AH , AK, A M, AP, AR, AT , AV AX, AZ , BB, B D, BF, BH	1
-636A	315T3416-38		..DOOR ASSY-EXH (USED ON ITEMS 15F 15G)	E, F, H , L, N-R, T , V, Y, Z, AC, AD AG, AH , AK, A M, AP, AR, AT , AV AX, AZ , BB, B D, BF, BH	1
			ATTACHING PARTS		

71-11-33

ILLUSTRATED PARTS LIST

01.1

Page 1057

Jul 01/04

FIG. & ITEM	PART NO.	AIRLINE PART NUMBER	NOMENCLATURE 1234567	EFF CODE	QTY PER ASSY
07-639	HL10VAZ5-4		..BOLT- (V60516) (SPEC BACB30MY5K4) (OPT B30MY5K4 (V97928))	E,F,H ,L, N-R,T ,V,Y, Z,AC, AD AG,AH ,AK,A M,AP, AR,AT ,AV AX,AZ ,BB,B D,BF, BH	4
642	HL70-5		..COLLAR- (V5M902) (SPEC BACC30M5) (OPT HL70-5 (V73197)) (OPT HL70-5 (V92215)) (OPT 66014-5 (V56878)) (OPT HL70-5 (V56878))	E,F,H ,L, N-R,T ,V,Y, Z,AC, AD AG,AH ,AK,A M,AP, AR,AT ,AV AX,AZ ,BB,B D,BF, BH	4

71-11-33

ILLUSTRATED PARTS LIST

01.1

Page 1058

Jul 01/04

BOEING
 COMPONENT
 MAINTENANCE MANUAL

FIG. & ITEM	PART NO.	AIRLINE PART NUMBER	NOMENCLATURE	EFF CODE	QTY PER ASSY
07-645	BACB30LE4-7		1234567 ..BOLT	E,F,H ,L, N-R,T ,V,Y, Z,AC, AD AG,AH ,AK,A M,AP, AR,AT ,AV AX,AZ ,BB,B D,BF, BH	4
648	BMNN10HR4		..NUT- (V08524) (SPEC BACN10HR4) (OPT BMN10HR4 (V97928)) (OPT CR59064 (V62554)) (OPT H964 (V15653)) (OPT RMLH224 (V72962)) (OPT VAL280094 (V06710)) (OPT 678324 (V56878)) (OPT H96-4 (V15653)) (OPT VAL280094 (V06710)) (OPT 678324 (V56878)) (OPT H96-4 (V15653)) (OPT RMLH22-4 (V72962)) -----*	E,F,H ,L, N-R,T ,V,Y, Z,AC, AD AG,AH ,AK,A M,AP, AR,AT ,AV AX,AZ ,BB,B D,BF, BH	4

71-11-33

ILLUSTRATED PARTS LIST
 01.1 Page 1058A
 Jul 01/04

FIG. & ITEM	PART NO.	AIRLINE PART NUMBER	NOMENCLATURE	EFF CODE	QTY PER ASSY
07-651	MS16562-3		1234567 ...PIN-SPR	E, F, H , L, N-R, T , V, Y, Z, AC, AD AG, AH , AK, A M, AP, AR, AT , AV AX, AZ , BB, B D, BF, BH	4
654	MS20253P4-270		...PIN-HINGE	E, F, H , L, N-R, T , V, Y, Z, AC, AD AG, AH , AK, A M, AP, AR, AT , AV AX, AZ , BB, B D, BF, BH	2

71-11-33

 ILLUSTRATED PARTS LIST
 01.1 Page 1058B
 Jul 01/04

BOEING
 COMPONENT
 MAINTENANCE MANUAL

FIG. & ITEM	PART NO.	AIRLINE PART NUMBER	NOMENCLATURE	EFF CODE	QTY PER ASSY
07-657	315T3569-4		1234567 ...FITTING-HINGE	E, F, H L, N-R, T V, Y, Z, AC, AD AG, AH AK, A M, AP, AR, AT AV AX, AZ BB, B D, BF, BH	1
660	315T3569-3		...FITTING-HINGE	E, F, H L, N-R, T V, Y, Z, AC, AD AG, AH AK, A M, AP, AR, AT AV AX, AZ BB, B D, BF, BH	1

71-11-33

ILLUSTRATED PARTS LIST
 01.1 Page 1058C
 Jul 01/04

FIG. & ITEM	PART NO.	AIRLINE PART NUMBER	NOMENCLATURE 1234567	EFF CODE	QTY PER ASSY
07-663	HL13VAZ6-7		...BOLT- (V56878) (SPEC BACB30NY6K7) (OPT HL13VAZ6-7 (V73197)) (OPT HL13VAZ6-7 (V92215)) (OPT HL13VAZ6-7 (V97928)) (OPT L801-6K7 (V06725)) (OPT HL13VAZ6-7 (V08524)) (OPT HL13V7 (V06725)) (OPT L801-6K7 (VOPTK6))	E,F,H ,L, N-R,T ,V,Y, Z,AC, AD AG,AH ,AK,A M,AP, AR,AT ,AV AX,AZ ,BB,B D,BF, BH	6
666	AN960-10		...WASHER	E,F,H ,L, N-R,T ,V,Y, Z,AC, AD AG,AH ,AK,A M,AP, AR,AT ,AV AX,AZ ,BB,B D,BF, BH	6

71-11-33

ILLUSTRATED PARTS LIST

01.1 Page 1058D

Jul 01/04

BOEING
 COMPONENT
 MAINTENANCE MANUAL

FIG. & ITEM	PART NO.	AIRLINE PART NUMBER	NOMENCLATURE	EFF CODE	QTY PER ASSY
			1234567		
07-669	HL1187DU6		...COLLAR- (V5M902) (SPEC BACC30X6S) (OPT HL87DU6 (V73197)) (OPT HL87DU6 (V92215)) (OPT HL1187DU6 (V56878)) (OPT HL1187DU6 (V92215)) (OPT HL87DU6 (V56878)) (OPT HL1187DU6 (V73197))	E,F,H ,L, N-R,T ,V,Y, Z,AC, AD AG,AH ,AK,A M,AP, AR,AT ,AV AX,AZ ,BB,B D,BF, BH	6
672	315T3416-11		...HINGE-HALF	E,F,H ,L, N-R,T ,V,Y, Z,AC, AD AG,AH ,AK,A M,AP, AR,AT ,AV AX,AZ ,BB,B D,BF, BH	1

71-11-33

ILLUSTRATED PARTS LIST
 01.1 Page 1058E
 Jul 01/04

FIG. & ITEM	PART NO.	AIRLINE PART NUMBER	NOMENCLATURE	EFF CODE	QTY PER ASSY
07-675	MS20257XC5-300		1234567 ...HINGE-HALF (OPT ITEM 675A) (USED ON ITEM 636)	E,F,H ,L, N-R,T ,V,Y, Z,AC, AD AG,AH ,AK,A M,AP, AR,AT ,AV AX,AZ ,BB,B D,BF, BH	1

71-11-33

 ILLUSTRATED PARTS LIST
 01.1 Page 1058F
 Jul 01/04

BOEING
 COMPONENT
 MAINTENANCE MANUAL

FIG. & ITEM	PART NO.	AIRLINE PART NUMBER	NOMENCLATURE	EFF CODE	QTY PER ASSY
			1234567		
07- -675A	315T3416-11		...HINGE-HALF (OPT ITEM 675) (USED ON ITEM 636)	E,F,H ,L, N-R,T ,V,Y, Z,AC, AD AG,AH ,AK,A M,AP, AR,AT ,AV AX,AZ ,BB,B D,BF, BH	1
-675B -675C	MS20257XC5-300 315T3416-11		DELETED ...HINGE-HALF (USED ON ITEM 636A)	E,F,H ,L, N-R,T ,V,Y, Z,AC, AD AG,AH ,AK,A M,AP, AR,AT ,AV AX,AZ ,BB,B D,BF, BH	1

71-11-33

ILLUSTRATED PARTS LIST
 01.1 Page 1058G
 Jul 01/04

FIG. & ITEM	PART NO.	AIRLINE PART NUMBER	NOMENCLATURE	EFF CODE	QTY PER ASSY
07-678	315T3416-6		1234567 ...DOUBLER	E, F, H , L, N-R, T , V, Y, Z, AC, AD AG, AH , AK, A M, AP, AR, AT , AV AX, AZ , BB, B D, BF, BH	2
681	315T3416-18		...FILLER	E, F, H , L, N-R, T , V, Y, Z, AC, AD AG, AH , AK, A M, AP, AR, AT , AV AX, AZ , BB, B D, BF, BH	2

71-11-33

 ILLUSTRATED PARTS LIST
 01.1 Page 1058H
 Jul 01/04

BOEING
 COMPONENT
 MAINTENANCE MANUAL

FIG. & ITEM	PART NO.	AIRLINE PART NUMBER	NOMENCLATURE	EFF CODE	QTY PER ASSY
			1234567		
07- 684 684A	BACS40R8C30F BACS40R008D030F		DELETED ...SHIM	E, F, H , L, N-R, T , V, Y, Z, AC, AD AG, AH , AK, A M, AP, AR, AT , AV AX, AZ , BB, B D, BF, BH	AR
687	HL13VAZ5-4		...BOLT- (V56878) (SPEC BACB30NY5K4) (OPT HL13VAZ5-4 (V73197)) (OPT HL13VAZ5-4 (V92215)) (OPT HL13VAZ5-4 (V97928)) (OPT L801-5K4 (V06725)) (OPT HL13VAZ5-4 (V08524)) (OPT HL13V4 (V06725)) (OPT HL13VAZ5-4 (V17446))	E, F, H , L, N-R, T , V, Y, Z, AC, AD AG, AH , AK, A M, AP, AR, AT , AV AX, AZ , BB, B D, BF, BH	8

71-11-33

ILLUSTRATED PARTS LIST
 01.1 Page 1058I
 Jul 01/04

FIG. & ITEM	PART NO.	AIRLINE PART NUMBER	NOMENCLATURE 1234567	EFF CODE	QTY PER ASSY
07-690	HL1187DU5		...COLLAR- (V5M902) (SPEC BACC30X5S) (OPT HL87DU5 (V73197)) (OPT HL87DU5 (V92215)) (OPT HL86DU5 (V73197)) (OPT HL86DU5 (V56878)) (OPT HL86DU5 (V92215)) (OPT HL1187DU5 (V56878)) (OPT HL1187DU5 (V92215)) (OPT HL87DU5 (V56878)) (OPT HL1187DU5 (V73197))	E,F,H ,L, N-R,T ,V,Y, Z,AC, AD AG,AH ,AK,A M,AP, AR,AT ,AV AX,AZ ,BB,B D,BF, BH	8
693	H5100-125-330		...LATCH- (V83014) (SPEC BACL10E125-330) (OPT H5100-2-125-330 (V83014))	E,F,H ,L, N-R,T ,V,Y, Z,AC, AD AG,AH ,AK,A M,AP, AR,AT ,AV AX,AZ ,BB,B D,BF, BH	1

71-11-33

ILLUSTRATED PARTS LIST

01.1 Page 1058J

Jul 01/04

BOEING
 COMPONENT
 MAINTENANCE MANUAL

FIG. & ITEM	PART NO.	AIRLINE PART NUMBER	NOMENCLATURE	EFF CODE	QTY PER ASSY
07-696	H5100-115-250		1234567 ...LATCH- (V83014) (SPEC BA CL10E115-250) (OPT H5100-2-115-250 (V83014)) (USED ON ITEM 636)	E, F, H , L, N-R, T , V, Y, Z, AC, AD AG, AH , AK, A M, AP, AR, AT , AV AX, AZ , BB, B D, BF, BH	1
-696A	315T3416-37		...LATCH- (USED ON ITEM 636A)	E, F, H , L, N-R, T , V, Y, Z, AC, AD AG, AH , AK, A M, AP, AR, AT , AV AX, AZ , BB, B D, BF, BH	1

71-11-33

ILLUSTRATED PARTS LIST
 01.1 Page 1058K
 Jul 01/04

FIG. & ITEM	PART NO.	AIRLINE PART NUMBER	NOMENCLATURE 1234567	EFF CODE	QTY PER ASSY
07-699	HL1012AZ5-3		...BOLT- (V97928) (SPEC BACB30NX5K3) (OPT HL12VAZ5-3 (V73197)) (OPT HL12VAZ5-3 (V92215)) (OPT HL12VAZ5-3 (V97928)) (OPT L802-5K3 (V06725)) (OPT HL12VAZ5-3 (V56878)) (OPT HL1012AZ5-3 (V0PTK6)) (OPT HL1012AZ5-3 (V06725)) (OPT HL1012AZ5-3 (V06950)) (OPT HL1012AZ5-3 (V17446)) (OPT HL1012AZ5-3 (V56878)) (OPT HL1012AZ5-3 (V60516)) (OPT HL1012AZ5-3 (V73197))	E,F,H ,L, N-R,T ,V,Y, Z,AC, AD AG,AH ,AK,A M,AP, AR,AT ,AV AX,AZ ,BB,B D,BF, BH	4

71-11-33

ILLUSTRATED PARTS LIST

01.1 Page 1058L

Jul 01/04

BOEING
 COMPONENT
 MAINTENANCE MANUAL

FIG. & ITEM	PART NO.	AIRLINE PART NUMBER	NOMENCLATURE	EFF CODE	QTY PER ASSY
07-702	HL1187DU5		1234567 ...COLLAR- (V5M902) (SPEC BACC30X5S) (OPT HL87DU5 (V73197)) (OPT HL87DU5 (V92215)) (OPT HL86DU5 (V73197)) (OPT HL86DU5 (V56878)) (OPT HL86DU5 (V92215)) (OPT HL1187DU5 (V56878)) (OPT HL1187DU5 (V92215)) (OPT HL87DU5 (V56878)) (OPT HL1187DU5 (V73197))	E,F,H ,L, N-R,T ,V,Y, Z,AC, AD AG,AH ,AK,A M,AP, AR,AT ,AV AX,AZ ,BB,B D,BF, BH	4
705	315T3416-33		...BRACKET	E,F,H ,L, N-R,T ,V,Y, Z,AC, AD AG,AH ,AK,A M,AP, AR,AT ,AV AX,AZ ,BB,B D,BF, BH	1

71-11-33

ILLUSTRATED PARTS LIST

01.1 Page 1058M

Jul 01/04

FIG. & ITEM	PART NO.	AIRLINE PART NUMBER	NOMENCLATURE	EFF CODE	QTY PER ASSY
07-708	315T3416-9		1234567 ...BRACKET- (USED ON ITEM 636)	E,F,H ,L, N-R,T ,V,Y, Z,AC, AD AG,AH ,AK,A M,AP, AR,AT ,AV AX,AZ ,BB,B D,BF, BH	1
-708A	315T3416-35		...BRACKET- (USED ON ITEM 636A)	E,F,H ,L, N-R,T ,V,Y, Z,AC, AD AG,AH ,AK,A M,AP, AR,AT ,AV AX,AZ ,BB,B D,BF, BH	1

71-11-33

 ILLUSTRATED PARTS LIST
 01.1 Page 1058N
 Jul 01/04

BOEING
 COMPONENT
 MAINTENANCE MANUAL

FIG. & ITEM	PART NO.	AIRLINE PART NUMBER	NOMENCLATURE	EFF CODE	QTY PER ASSY
07-711	HL10VAZ5-5		1234567 ...BOLT- (V60516) (SPEC BACB30MY5K5) (OPT B30MY5K5 (V97928))	E, F, H , L, N-R, T , V, Y, Z, AC, AD AG, AH , AK, A M, AP, AR, AT , AV AX, AZ , BB, B D, BF, BH	4
714	HL70-5		...COLLAR- (V5M902) (SPEC BACC30M5) (OPT HL70-5 (V73197)) (OPT HL70-5 (V92215)) (OPT 66014-5 (V56878)) (OPT HL70-5 (V56878))	E, F, H , L, N-R, T , V, Y, Z, AC, AD AG, AH , AK, A M, AP, AR, AT , AV AX, AZ , BB, B D, BF, BH	4

71-11-33

ILLUSTRATED PARTS LIST
 01.1 Page 10580
 Jul 01/04

FIG. & ITEM	PART NO.	AIRLINE PART NUMBER	NOMENCLATURE	EFF CODE	QTY PER ASSY
07-717	BACR15BA5D5		1234567 ...RIVET	E, F, H , L, N-R, T , V, Y, Z, AC, AD AG, AH , AK, A M, AP, AR, AT , AV AX, AZ , BB, B D, BF, BH	2
720	315T3416-25		...CHANNEL-RTNR	E, F, H , L, N-R, T , V, Y, Z, AC, AD AG, AH , AK, A M, AP, AR, AT , AV AX, AZ , BB, B D, BF, BH	1
723	315T3416-24		...CHANNEL-RTNR	E, F, H , L, N-R, T , V, Y, Z, AC, AD AG, AH , AK, A M, AP, AR, AT , AV AX, AZ , BB, B D, BF, BH	1

71-11-33

ILLUSTRATED PARTS LIST

01.1 Page 1058P

Jul 01/04

BOEING
 COMPONENT
 MAINTENANCE MANUAL

FIG. & ITEM	PART NO.	AIRLINE PART NUMBER	NOMENCLATURE 1234567	EFF CODE	QTY PER ASSY
07-726	315T3416-26		...CHANNEL-RTNR	E, F, H L, N-R, T V, Y, Z, AC, AD AG, AH AK, A M, AP, AR, AT AV AX, AZ BB, B D, BF, BH	1
729	8425-67		...SEAL-FIRE (V11960) (SPEC S315T107-67)	E, F, H L, N-R, T V, Y, Z, AC, AD AG, AH AK, A M, AP, AR, AT AV AX, AZ BB, B D, BF, BH	1
732	315T3416-28		...DOOR	E, F, H L, N-R, T V, Y, Z, AC, AD AG, AH AK, A M, AP, AR, AT AV AX, AZ BB, B D, BF, BH	1

71-11-33

ILLUSTRATED PARTS LIST
 01.1 Page 1058Q
 Jul 01/04

FIG. & ITEM	PART NO.	AIRLINE PART NUMBER	NOMENCLATURE 1234567	EFF CODE	QTY PER ASSY
07-733	BAC27EPPS10048		...MARKER-ALUMINUM FOIL (LIMITED) (USED ON ITEM 636)	E, F, H , L, N-R, T , V, Y, Z, AC, AD AG, AH , AK, A M, AP, AR, AT , AV AX, AZ , BB, B D, BF, BH	1
735	315T3578-1		..SIGNAL INSTL-LATCH	E, F, H , L, N-R, T , V, Y, Z, AC, AD AG, AH , AK, A M, AP, AR, AT , AV AX, AZ , BB, B D, BF, BH	1
738	NAS509-4C		...NUT	E, F, H , L, N-R, T , V, Y, Z, AC, AD AG, AH , AK, A M, AP, AR, AT , AV AX, AZ , BB, B D, BF, BH	2

71-11-33

ILLUSTRATED PARTS LIST

01.1 Page 1058R

Jul 01/04

BOEING
 COMPONENT
 MAINTENANCE MANUAL

FIG. & ITEM	PART NO.	AIRLINE PART NUMBER	NOMENCLATURE	EFF CODE	QTY PER ASSY
07-741	AN960C416L		1234567 ...WASHER	E, F, H , L, N-R, T , V, Y, Z, AC, AD AG, AH , AK, A M, AP, AR, AT , AV AX, AZ , BB, B D, BF, BH	1
744	315T1452-2		...ROD	E, F, H , L, N-R, T , V, Y, Z, AC, AD AG, AH , AK, A M, AP, AR, AT , AV AX, AZ , BB, B D, BF, BH	1
747	315T3577-1		...SPRING	E, F, H , L, N-R, T , V, Y, Z, AC, AD AG, AH , AK, A M, AP, AR, AT , AV AX, AZ , BB, B D, BF, BH	1

71-11-33

ILLUSTRATED PARTS LIST
 01.1 Page 1058S
 Jul 01/04

FIG. & ITEM	PART NO.	AIRLINE PART NUMBER	NOMENCLATURE	EFF CODE	QTY PER ASSY
07-750	315T1450-2		1234567 ...FILLER	E, F, H , L, N-R, T , V, Y, Z, AC, AD AG, AH , AK, A M, AP, AR, AT , AV AX, AZ , BB, B D, BF, BH	1
753	315T1451-2		...HANDLE ASSY	E, F, H , L, N-R, T , V, Y, Z, AC, AD AG, AH , AK, A M, AP, AR, AT , AV AX, AZ , BB, B D, BF, BH	1
753G	MS20427M5	RIVET- (SIZE DETERMINE ON INST)	E, F, H , L, N-R, T , V, Y, Z, AC, AD AG, AH , AK, A M, AP, AR, AT , AV AX, AZ , BB, B D, BF, BH	2

71-11-33

ILLUSTRATED PARTS LIST

01.1 Page 1058T

Jul 01/04

BOEING
 COMPONENT
 MAINTENANCE MANUAL

FIG. & ITEM	PART NO.	AIRLINE PART NUMBER	NOMENCLATURE	EFF CODE	QTY PER ASSY
07-753M	MS20427M4		1234567RIVET- (SIZE DETERMINE ON INST)	E,F,H ,L, N-R,T ,V,Y, Z,AC, AD AG,AH ,AK,A M,AP, AR,AT ,AV AX,AZ ,BB,B D,BF, BH	2
754	315T1451-5	BRACKET	E,F,H ,L, N-R,T ,V,Y, Z,AC, AD AG,AH ,AK,A M,AP, AR,AT ,AV AX,AZ ,BB,B D,BF, BH	1
754G	315T1451-4	HANDLE	E,F,H ,L, N-R,T ,V,Y, Z,AC, AD AG,AH ,AK,A M,AP, AR,AT ,AV AX,AZ ,BB,B D,BF, BH	1

71-11-33

ILLUSTRATED PARTS LIST
 01.1 Page 1058U
 Jul 01/04

FIG. & ITEM	PART NO.	AIRLINE PART NUMBER	NOMENCLATURE	EFF CODE	QTY PER ASSY
07-754M	315T1451-3		1234567FILLER	E, F, H L, N-R, T V, Y, Z, AC, AD AG, AH AK, A M, AP, AR, AT AV AX, AZ BB, B D, BF, BH	1
756	315T3401-77		..PANEL ASSY-WALL	A-D, G J, K, M, S, U W, X, AA, AB AE, AF AJ, A L, AN, AQ, AS AU AW, AY BA, B C, BE, BG	1
-759	315T3401-78		..PANEL ASSY-WALL	E, F, H L, N-R, T V, Y, Z, AC, AD AG, AH AK, A M, AP, AR, AT AV AX, AZ BB, B D, BF, BH	1

71-11-33

ILLUSTRATED PARTS LIST

01.1 Page 1058V

Jul 01/04

BOEING
 COMPONENT
 MAINTENANCE MANUAL

FIG. & ITEM	PART NO.	AIRLINE PART NUMBER	NOMENCLATURE	EFF CODE	QTY PER ASSY
07-762	NAS1398CW4		1234567 ...RIVET- (SIZE DETERMINE ON INST)	A-D,G ,J,K, M,S,U ,W,X, AA,AB AE,AF ,AJ,A L,AN, AQ,AS ,AU AW,AY ,BA,B C,BE, BG	9
765	315T3401-39		...RETAINER-SEAL	A-D,G ,J,K, M,S,U ,W,X, AA,AB AE,AF ,AJ,A L,AN, AQ,AS ,AU AW,AY ,BA,B C,BE, BG	1
768	315T3401-79		...BOND ASSY	A-D,G ,J,K, M,S,U ,W,X, AA,AB AE,AF ,AJ,A L,AN, AQ,AS ,AU AW,AY ,BA,B C,BE, BG	1

71-11-33

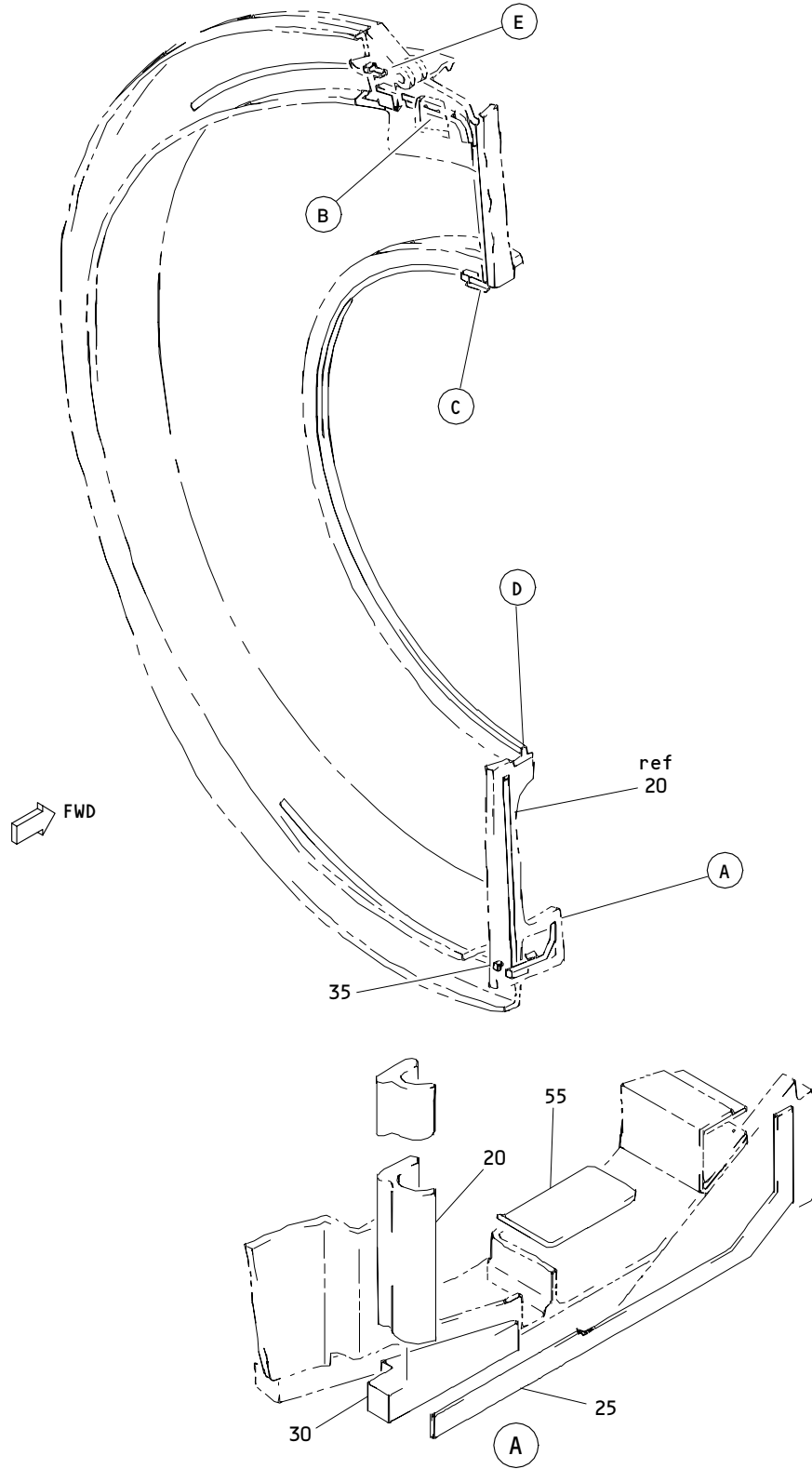
ILLUSTRATED PARTS LIST
 01.1 Page 1058W
 Jul 01/04

FIG. & ITEM	PART NO.	AIRLINE PART NUMBER	NOMENCLATURE	EFF CODE	QTY PER ASSY
07- -771	315T3401-80		1234567 ...BOND ASSY	E, F, H L, N-R, T V, Y, Z, AC, AD AG, AH AK, A M, AP, AR, AT AV AX, AZ BB, B D, BF, BH	1
774	BAC27TTR0035		..DECAL		1

- Item Not Illustrated

71-11-33

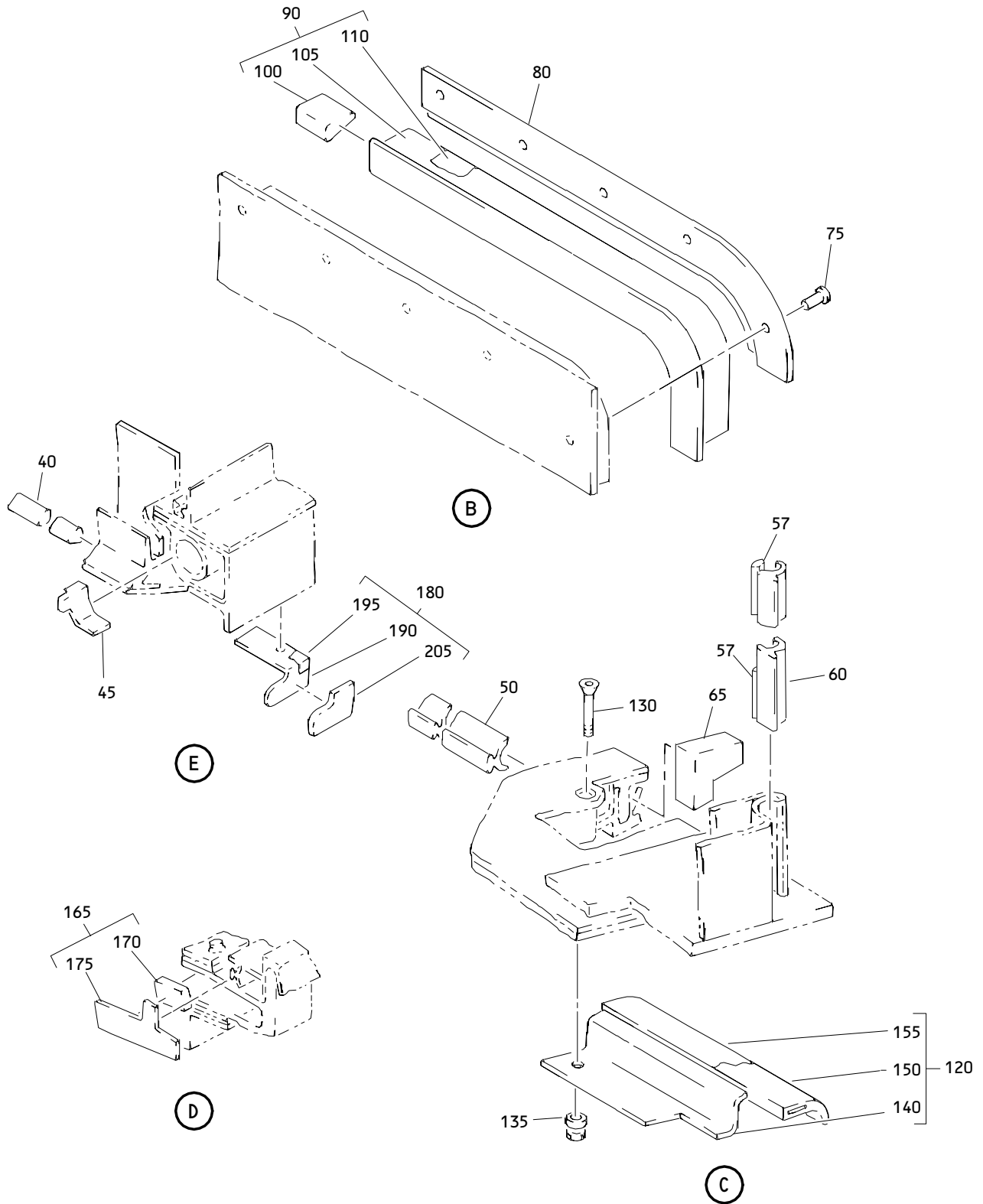
ILLUSTRATED PARTS LIST
 01.1 Page 1058X
 Jul 01/04



Thrust Reverser Fan Duct Aerodynamic Seal Installation
Figure 8 (Sheet 1)

71-11-33

ILLUSTRATED PARTS LIST
01.1 Page 1058Y
Jul 01/04



Thrust Reverser Fan Duct Aerodynamic Seal Installation
 Figure 8 (Sheet 2)

71-11-33

ILLUSTRATED PARTS LIST
 01.1 Page 1058Z
 Jul 01/04

BOEING
 COMPONENT
 MAINTENANCE MANUAL

FIG. & ITEM	PART NO.	AIRLINE PART NUMBER	NOMENCLATURE	EFF CODE	QTY PER ASSY
08-1	315T3240-1		1234567 SEAL INSTL-THRUST REVERSER FAN DUCT AERODYN	A-D,G ,J,K, M,S,U ,W,X, AA,AB AE,AF ,AJ,A L,AN, AQ,AS ,AU AW,AY ,BA,B C,BE, BG	RF
-5	315T3240-2		SEAL INSTL-THRUST REVERSER FAN DUCT AERODYN	E,F,H ,L, N-R,T ,V,Y, Z,AC, AD AG,AH ,AK,A M,AP, AR,AT ,AV AX,AZ ,BB,B D,BF, BH	RF

71-11-33

ILLUSTRATED PARTS LIST

01.1

Page 1059

Jul 01/04

FIG. & ITEM	PART NO.	AIRLINE PART NUMBER	NOMENCLATURE 1234567	EFF CODE	QTY PER ASSY
08- -10	315T3240-5001		.SEAL INSTL- (LIMITED)	A-D,G ,J,K, M,S,U ,W,X, AA,AB AE,AF ,AJ,A L,AN, AQ,AS ,AU AW,AY ,BA,B C,BE, BG	1
-10A	315T3240-5005		.SEAL INSTL- (LIMITED)	A-D,G ,J,K, M,S,U ,W,X, AA,AB AE,AF ,AJ,A L,AN, AQ,AS ,AU AW,AY ,BA,B C,BE, BG	1
-10B	315T3240-5007		.SEAL INSTL- (LIMITED)	A-D,G ,J,K, M,S,U ,W,X, AA,AB AE,AF ,AJ,A L,AN, AQ,AS ,AU AW,AY ,BA,B C,BE, BG	1

71-11-33

ILLUSTRATED PARTS LIST

01.1

Page 1060

Jul 01/04

BOEING
 COMPONENT
 MAINTENANCE MANUAL

FIG. & ITEM	PART NO.	AIRLINE PART NUMBER	NOMENCLATURE	EFF CODE	QTY PER ASSY
08-15	315T3240-5002		.SEAL INSTL- (LIMITED)	E,F,H ,L, N-R,T ,V,Y, Z,AC, AD AG,AH ,AK,A M,AP, AR,AT ,AV AX,AZ ,BB,B D,BF, BH	1
-15A	315T3240-5006		.SEAL INSTL- (LIMITED)	E,F,H ,L, N-R,T ,V,Y, Z,AC, AD AG,AH ,AK,A M,AP, AR,AT ,AV AX,AZ ,BB,B D,BF, BH	1
-15B	315T3240-5008		.SEAL INSTL- (LIMITED)	E,F,H ,L, N-R,T ,V,Y, Z,AC, AD AG,AH ,AK,A M,AP, AR,AT ,AV AX,AZ ,BB,B D,BF, BH	1

71-11-33

ILLUSTRATED PARTS LIST
 01.1 Page 1060A
 Jul 01/04

FIG. & ITEM	PART NO.	AIRLINE PART NUMBER	NOMENCLATURE	EFF CODE	QTY PER ASSY
08-20	315T3240-5		1234567 ..SEAL	A-D,G ,J,K, M,S,U ,W,X, AA,AB AE,AF ,AJ,A L,AN, AQ,AS ,AU AW,AY ,BA,B C,BE, BG	1
25	315T3241-16		..SEAL	A-D,G ,J,K, M,S,U ,W,X, AA,AB AE,AF ,AJ,A L,AN, AQ,AS ,AU AW,AY ,BA,B C,BE, BG	1
30	315T3241-15		..SEAL	A-D,G ,J,K, M,S,U ,W,X, AA,AB AE,AF ,AJ,A L,AN, AQ,AS ,AU AW,AY ,BA,B C,BE, BG	1

71-11-33

ILLUSTRATED PARTS LIST

01.1 Page 1060B

Jul 01/04


BOEING
 COMPONENT
 MAINTENANCE MANUAL

FIG. & ITEM	PART NO.	AIRLINE PART NUMBER	NOMENCLATURE 1234567	EFF CODE	QTY PER ASSY
08-					
35	315T3241-13		..SEAL		1
40	315T3240-7		..SEAL		1
45	315T3241-14		..SEAL		1
50	315T3240-4		..SEAL- (OPT ITEM 50B) (USED ON ITEMS 10, 15)		1
-50A	315T3240-8		..SEAL- (USED ON ITEMS 10A, 10B, 15A, 15B)		1
-50B	315T3240-8		..SEAL- (OPT ITEM 50) (USED ON ITEMS 10, 15)		1
55	315T3240-6		..COVER	A-D,G ,J,K, M,S,U ,W,X, AA,AB AE,AF ,AJ,A L	1
57	315T3240-16		..PLUG- (LIMITED) (USED ON ITEMS 10B, 15B)		2
60	315T3240-3		..SEAL		1
65	315T3241-17		..SEAL	A-D,G ,J,K, M,S,U ,W,X, AA,AB AE,AF ,AJ,A L,AN, AQ,AS ,AU AW,AY ,BA,B C,BE, BG	1

71-11-33

 ILLUSTRATED PARTS LIST
 01.1 Page 1060C
 Jul 01/04

FIG. & ITEM	PART NO.	AIRLINE PART NUMBER	NOMENCLATURE	EFF CODE	QTY PER ASSY
08-70	315T3241-18		1234567 ..SEAL	E, F, H L, N-R, T V, Y, Z, AC, AD AG, AH AK, A M, AP, AR, AT AV AX, AZ BB, B D, BF, BH	1
75	BACR15BB5AD		..RIVET- (SIZE DETERMINE ON INST)		5
80	315T3241-1		..RETAINER	A-D, G J, K, M, S, U W, X, AA, AB AE, AF AJ, A L, AN, AQ, AS AU AW, AY BA, B C, BE, BG	1

71-11-33

 ILLUSTRATED PARTS LIST
 01.1 Page 1060D
 Jul 01/04

BOEING
 COMPONENT
 MAINTENANCE MANUAL

FIG. & ITEM	PART NO.	AIRLINE PART NUMBER	NOMENCLATURE	EFF CODE	QTY PER ASSY
08-85	315T3241-2		1234567 ..RETAINER	E, F, H , L, N-R, T , V, Y, Z, AC, AD AG, AH , AK, A M, AP, AR, AT , AV AX, AZ , BB, B D, BF, BH	1
90	315T3241-3		..SEAL ASSY	A-D, G , J, K, M, S, U , W, X, AA, AB AE, AF , AJ, A L, AN, AQ, AS , AU AW, AY , BA, B C, BE, BG	1

71-11-33

ILLUSTRATED PARTS LIST
 01.1 Page 1060E
 Jul 01/04

FIG. & ITEM	PART NO.	AIRLINE PART NUMBER	NOMENCLATURE	EFF CODE	QTY PER ASSY
08- -95	315T3241-4		1234567 ..SEAL ASSY	E, F, H L, N-R, T V, Y, Z, AC, AD AG, AH AK, A M, AP, AR, AT AV AX, AZ BB, B D, BF, BH	1
100	315T3241-20		...PLUG		1
105	315T3241-26		...COVER		1
110	315T3241-21		...SEAL	A-D, G J, K, M, S, U W, X, AA, AB AE, AF AJ, A L, AN, AQ, AS AU AW, AY BA, B C, BE, BG	1

71-11-33

 ILLUSTRATED PARTS LIST
 01.1 Page 1060F
 Jul 01/04

BOEING
 COMPONENT
 MAINTENANCE MANUAL

FIG. & ITEM	PART NO.	AIRLINE PART NUMBER	NOMENCLATURE	EFF CODE	QTY PER ASSY
08-115	315T3241-22		1234567 ...SEAL	E, F, H , L, N-R, T , V, Y, Z, AC, AD AG, AH , AK, A M, AP, AR, AT , AV AX, AZ , BB, B D, BF, BH	1
120	315T3241-33		..SEAL ASSY- (USED ON ITEMS 10, 10A)	A-D, G , J, K, M, S, U , W, X, AA, AB AE, AF , AJ, A L, AN, AQ, AS , AU AW, AY , BA, B C, BE, BG	1
-120A	315T3241-41		..SEAL ASSY- (USED ON ITEM 10B)	A-D, G , J, K, M, S, U , W, X, AA, AB AE, AF , AJ, A L, AN, AQ, AS , AU AW, AY , BA, B C, BE, BG	1

71-11-33

ILLUSTRATED PARTS LIST
 01.1 Page 1060G
 Jul 01/04

FIG. & ITEM	PART NO.	AIRLINE PART NUMBER	NOMENCLATURE	EFF CODE	QTY PER ASSY
08- -125	315T3241-34		1234567 ..SEAL ASSY- (USED ON ITEMS 15, 15A)	E,F,H ,L, N-R,T ,V,Y, Z,AC, AD AG,AH ,AK,A M,AP, AR,AT ,AV AX,AZ ,BB,B D,BF, BH	1
-125A	315T3241-42		..SEAL ASSY- (USED ON ITEM 15B)	E,F,H ,L, N-R,T ,V,Y, Z,AC, AD AG,AH ,AK,A M,AP, AR,AT ,AV AX,AZ ,BB,B D,BF, BH	1
ATTACHING PARTS					

71-11-33

 ILLUSTRATED PARTS LIST
 01.1 Page 1060H
 Jul 01/04

BOEING
 COMPONENT
 MAINTENANCE MANUAL

FIG. & ITEM	PART NO.	AIRLINE PART NUMBER	NOMENCLATURE	EFF CODE	QTY PER ASSY
			1234567		
08-130	HL523AZ5-18		..BOLT- (V56878) (SPEC BACB30NZ5K18) (OPT L804-5K18 (V06725)) (OPT HL523AZ5-18 (V92215)) (OPT HL523AZ5-18 (V0PTK6)) (OPT HL523AZ5-18 (V73197)) (OPT HL523AZ5-18 (V97928)) (OPT HL523AZ5-18 (V06725)) (OPT HL523AZ5-18 (V60516))		1
135	HL70-5		..COLLAR- (V5M902) (SPEC BACC30M5) (OPT HL70-5 (V73197)) (OPT HL70-5 (V92215)) (OPT 66014-5 (V56878)) (OPT HL70-5 (V56878)) -----*-----		1

71-11-33

ILLUSTRATED PARTS LIST
 01.1 Page 1060I
 Jul 01/04

FIG. & ITEM	PART NO.	AIRLINE PART NUMBER	NOMENCLATURE 1234567	EFF CODE	QTY PER ASSY
08-140	315T3241-37		...BRACKET- (USED ON ITEM 120)	A-D,G ,J,K, M,S,U ,W,X, AA,AB AE,AF ,AJ,A L,AN, AQ,AS ,AU AW,AY ,BA,B C,BE, BG	1
-140A	315T3241-45		...BRACKET- (USED ON ITEM 120A)	A-D,G ,J,K, M,S,U ,W,X, AA,AB AE,AF ,AJ,A L,AN, AQ,AS ,AU AW,AY ,BA,B C,BE, BG	1
-145	315T3241-38		...BRACKET- (USED ON ITEM 125)	E,F,H ,L, N-R,T ,V,Y, Z,AC, AD AG,AH ,AK,A M,AP, AR,AT ,AV AX,AZ ,BB,B D,BF, BH	1

71-11-33

 ILLUSTRATED PARTS LIST
 01.1 Page 1060J
 Jul 01/04


BOEING
 COMPONENT
 MAINTENANCE MANUAL

FIG. & ITEM	PART NO.	AIRLINE PART NUMBER	NOMENCLATURE 1234567	EFF CODE	QTY PER ASSY
08- -145A	315T3241-46		...BRACKET- (USED ON ITEM 125A)	E, F, H , L, N-R, T , V, Y, Z, AC, AD AG, AH , AK, A M, AP, AR, AT , AV AX, AZ , BB, B D, BF, BH	1
150	315T3241-39		...COVER- (USED ON ITEMS 120, 125)		1
-150A	315T3241-47		...COVER- (USED ON ITEMS 120A, 125A)		1
155	315T3241-35		...SEAL- (USED ON ITEM 120)	A-D, G , J, K, M, S, U , W, X, AA, AB AE, AF , AJ, A L, AN, AQ, AS , AU AW, AY , BA, B C, BE, BG	1

71-11-33

 ILLUSTRATED PARTS LIST
 01.1 Page 1060K
 Jul 01/04

FIG. & ITEM	PART NO.	AIRLINE PART NUMBER	NOMENCLATURE 1234567	EFF CODE	QTY PER ASSY
08- -155A	315T3241-43		...SEAL- (USED ON ITEM 120A)	A-D,G ,J,K, M,S,U ,W,X, AA,AB AE,AF ,AJ,A L,AN, AQ,AS ,AU AW,AY ,BA,B C,BE, BG E,F,H	1
-160	315T3241-36		...SEAL- (USED ON ITEM 125)	L, N-R,T ,V,Y, Z,AC, AD AG,AH ,AK,A M,AP, AR,AT ,AV AX,AZ ,BB,B D,BF, BH E,F,H	1
-160A	315T3241-44		...SEAL- (USED ON ITEM 125A)	L, N-R,T ,V,Y, Z,AC, AD AG,AH ,AK,A M,AP, AR,AT ,AV AX,AZ ,BB,B D,BF, BH	1

71-11-33

 ILLUSTRATED PARTS LIST
 01.1 Page 1060L
 Jul 01/04

BOEING
 COMPONENT
 MAINTENANCE MANUAL

FIG. & ITEM	PART NO.	AIRLINE PART NUMBER	NOMENCLATURE 1234567	EFF CODE	QTY PER ASSY
08-165	315T3241-19		..SEAL ASSY	A-D,G ,J,K, M,S,U ,W,X, AA,AB AE,AF ,AJ,A L,AN, AQ,AS ,AU AW,AY ,BA,B C,BE, BG	1
170	315T3241-32		...SPACER	A-D,G ,J,K, M,S,U ,W,X, AA,AB AE,AF ,AJ,A L,AN, AQ,AS ,AU AW,AY ,BA,B C,BE, BG	1
175	315T3241-31		...PAD	A-D,G ,J,K, M,S,U ,W,X, AA,AB AE,AF ,AJ,A L,AN, AQ,AS ,AU AW,AY ,BA,B C,BE, BG	1

71-11-33

ILLUSTRATED PARTS LIST
 01.1 Page 1060M
 Jul 01/04

FIG. & ITEM	PART NO.	AIRLINE PART NUMBER	NOMENCLATURE 1234567	EFF CODE	QTY PER ASSY
08-180	315T3241-11		..SEAL ASSY	A-D,G ,J,K, M,S,U ,W,X, AA,AB AE,AF ,AJ,A L,AN, AQ,AS ,AU AW,AY ,BA,B C,BE, BG	1
-185	315T3241-12		..SEAL ASSY	E,F,H ,L, N-R,T ,V,Y, Z,AC, AD AG,AH ,AK,A M,AP, AR,AT ,AV AX,AZ ,BB,B D,BF, BH	1

71-11-33

 ILLUSTRATED PARTS LIST
 01.1 Page 1060N
 Jul 01/04

BOEING
 COMPONENT
 MAINTENANCE MANUAL

FIG. & ITEM	PART NO.	AIRLINE PART NUMBER	NOMENCLATURE	EFF CODE	QTY PER ASSY
08-190	315T3241-26		...COVER		1
195	315T3241-27		...SEAL	A-D,G ,J,K, M,S,U ,W,X, AA,AB AE,AF ,AJ,A L,AN, AQ,AS ,AU AW,AY ,BA,B C,BE, BG	1
-200	315T3241-28		...SEAL	E,F,H L, N-R,T ,V,Y, Z,AC, AD AG,AH ,AK,A M,AP, AR,AT ,AV AX,AZ ,BB,B D,BF, BH	1
205	315T3241-29		...PAD	A-D,G ,J,K, M,S,U ,W,X, AA,AB AE,AF ,AJ,A L,AN, AQ,AS ,AU AW,AY ,BA,B C,BE, BG	1

71-11-33

ILLUSTRATED PARTS LIST

01.1 Page 10600

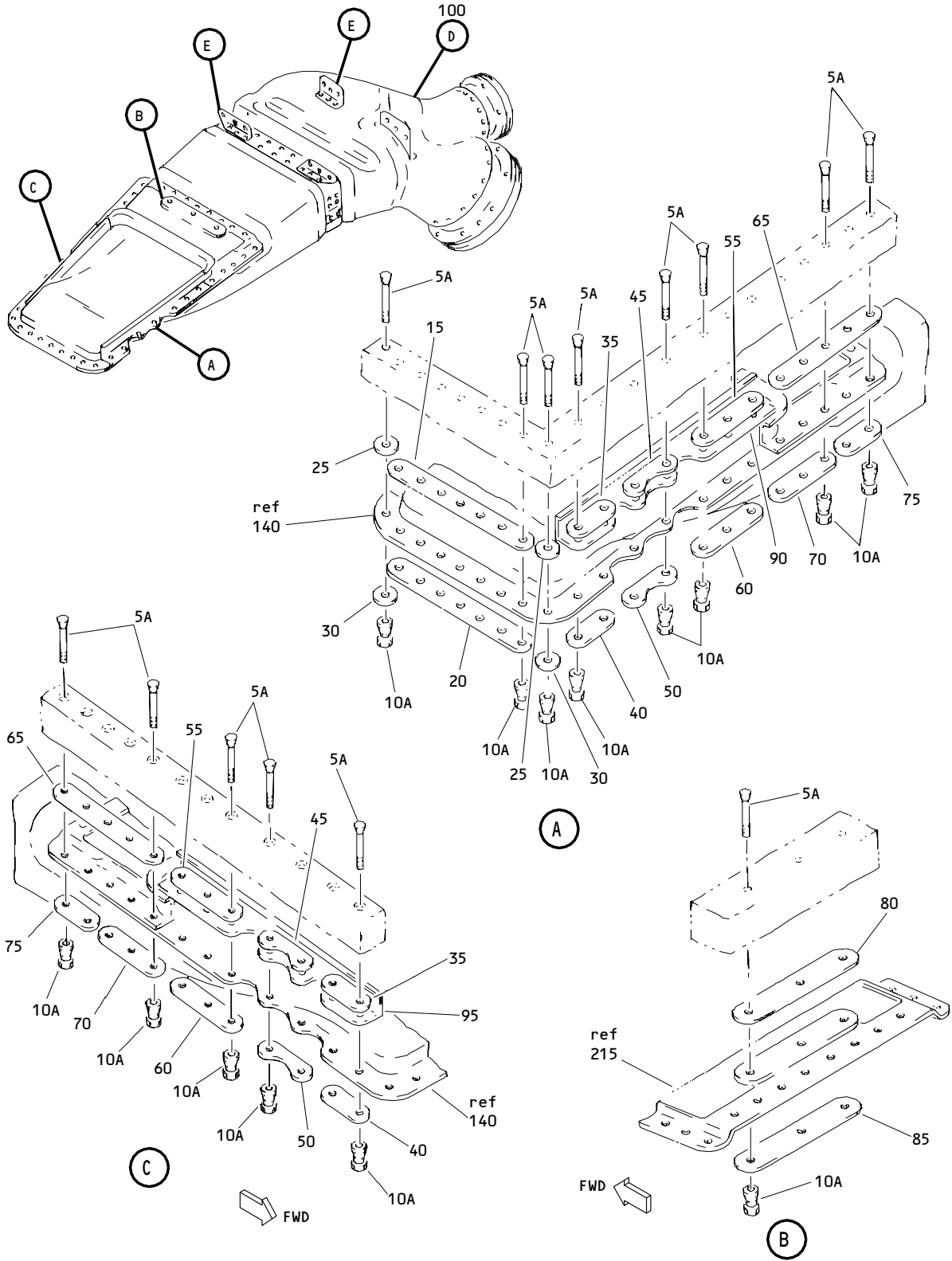
Jul 01/04

FIG. & ITEM	PART NO.	AIRLINE PART NUMBER	NOMENCLATURE	EFF CODE	QTY PER ASSY
08- -210	315T3241-30		1234567 ...PAD	E, F, H L, N-R, T V, Y, Z, AC, AD AG, AH AK, A M, AP, AR, AT AV AX, AZ BB, B D, BF, BH	1

- Item Not Illustrated

71-11-33

ILLUSTRATED PARTS LIST
 01.1 Page 1060P
 Jul 01/04

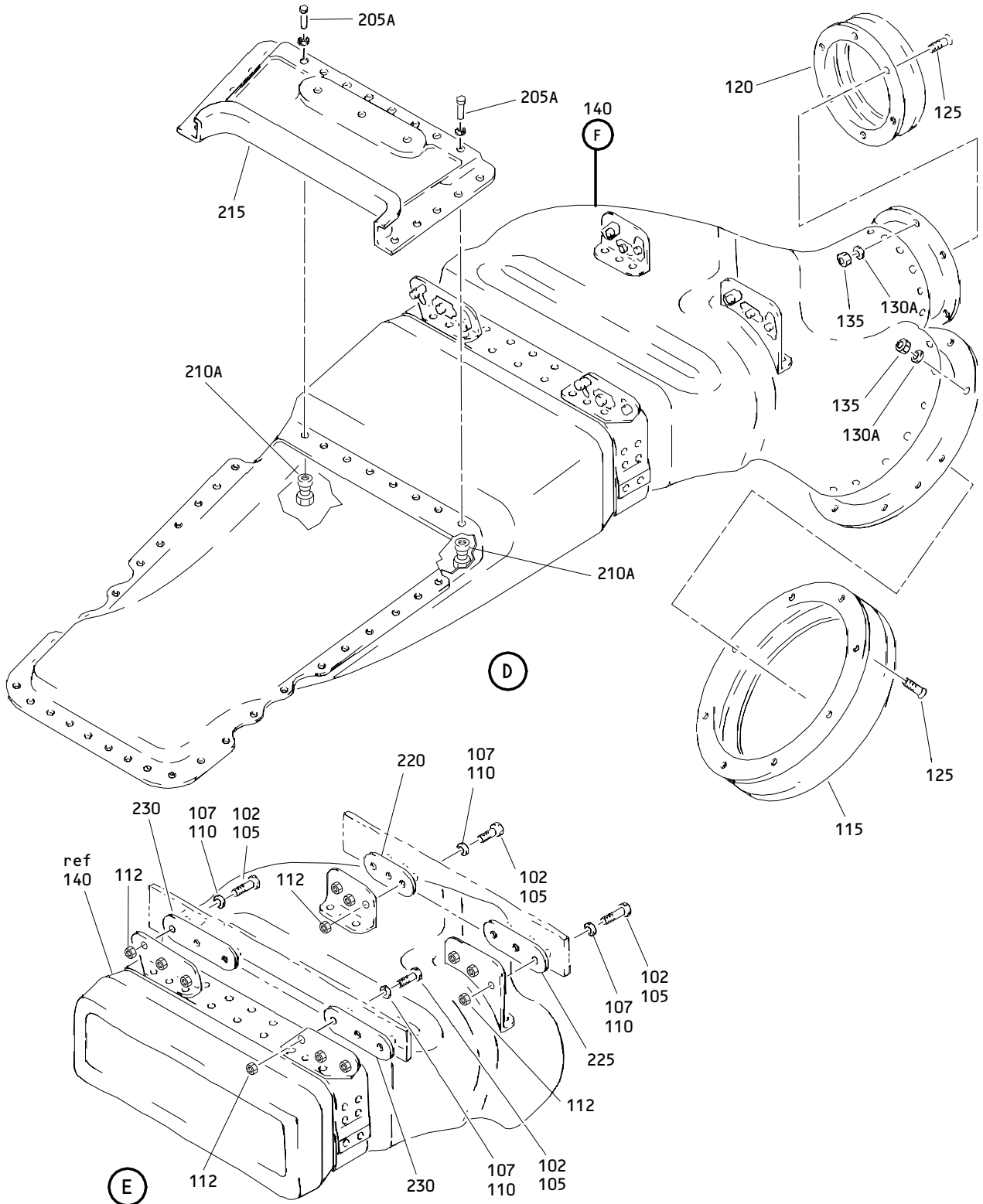


Engine Outboard and Inboard Side Fan Duct Inlet Precooler Duct Installation
 Figure 9 (Sheet 1)

71-11-33

ILLUSTRATED PARTS LIST
 01.1 Page 1060R
 Jul 01/04

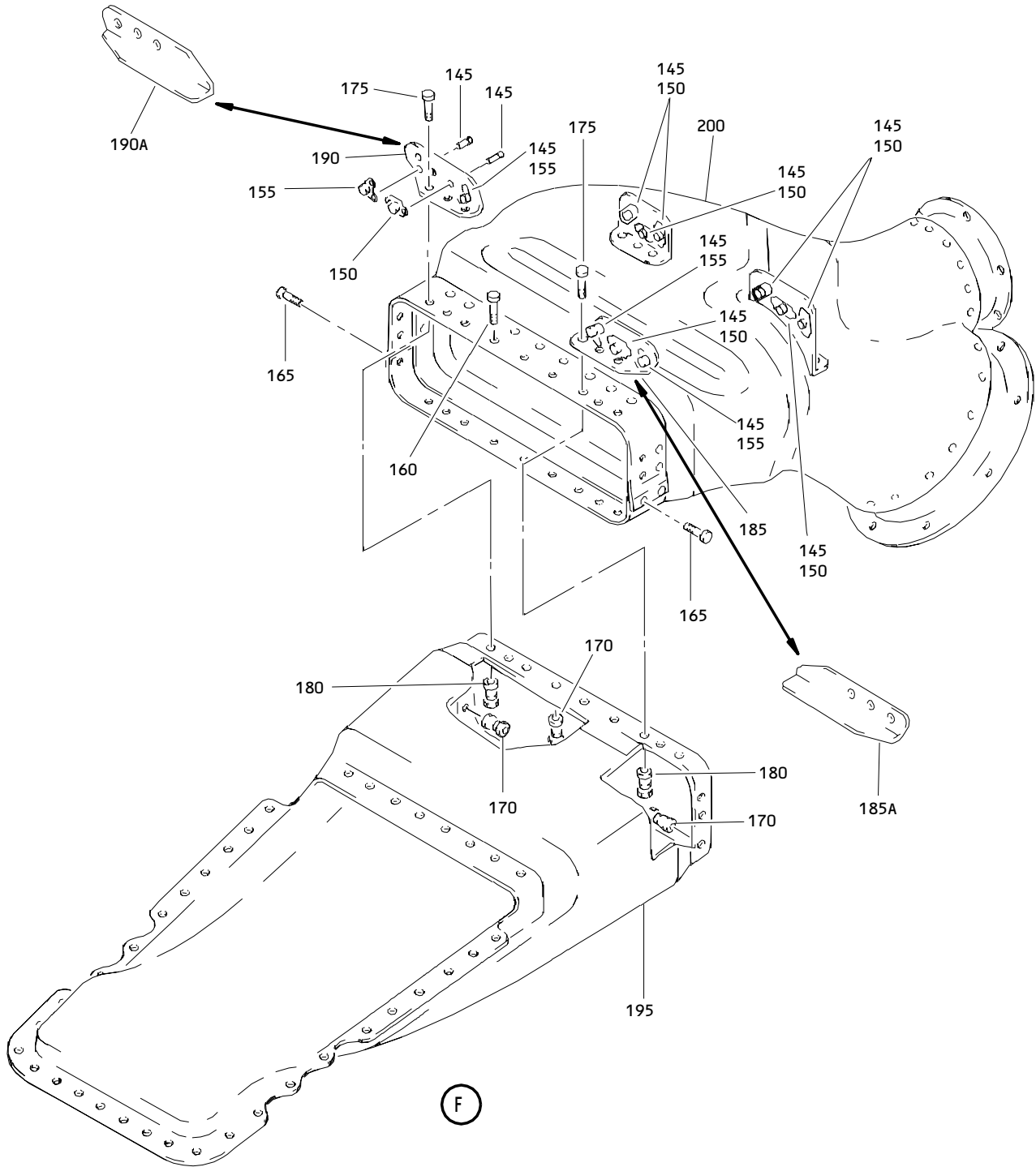
U10034



Engine Outboard and Inboard Side Fan Duct Inlet Precooler Duct Installation
 Figure 9 (Sheet 2)

71-11-33

ILLUSTRATED PARTS LIST
 01.1 Page 1060S
 Jul 01/04



Engine Outboard and Inboard Side Fan Duct Inlet Pre-cooler Duct Installation
 Figure 9 (Sheet 3)

71-11-33

ILLUSTRATED PARTS LIST
 01.1 Page 1060T
 Jul 01/04

BOEING
 COMPONENT
 MAINTENANCE MANUAL

FIG. & ITEM	PART NO.	AIRLINE PART NUMBER	NOMENCLATURE 1234567	EFF CODE	QTY PER ASSY
09- -1	315T3126-1		DUCT INSTL-ENG OUTBD AND INBD SIDE FAN DUCT INLET PRECOOLER	E,F,H ,L, N-R,T ,V,Y, Z,AC, AD AG,AH ,AK,A M,AP, AR	RF
-3	315T3126-5001		.DUCT INSTL- (LIMITED)	E,F,H ,L, N-R,T ,V,Y, Z,AC, AD AG,AH ,AK,A M,AP, AR	1
-3A	315T3126-5002		.DUCT INSTL- (LIMITED)	E,F,H ,L, N-R,T ,V,Y, Z,AC, AD AG,AH ,AK,A M,AP, AR	1
-3B	315T3126-5003		.DUCT INSTL- (LIMITED)	E,F,H ,L, N-R,T ,V,Y, Z,AC, AD AG,AH ,AK,A M,AP, AR	1

71-11-33

ILLUSTRATED PARTS LIST
 01.1 Page 1060U
 Jul 01/04

FIG. & ITEM	PART NO.	AIRLINE PART NUMBER	NOMENCLATURE 1234567	EFF CODE	QTY PER ASSY
09- -3C	315T3126-5004		.DUCT INSTL- (LIMITED)	E, F, H L, N-R, T V, Y, Z, AC, AD AG, AH AK, A M, AP, AR	1
-3D	315T3126-5005		.DUCT INSTL- (LIMITED)	E, F, H L, N-R, T V, Y, Z, AC, AD AG, AH AK, A M, AP, AR	1
5 5A	BACB30NW6K BACB30VT6K		DELETED ..BOLT- (SIZE DETERMINE ON INST)	E, F, H L, N-R, T V, Y, Z, AC, AD AG, AH AK, A M, AP, AR	36

71-11-33

 ILLUSTRATED PARTS LIST
 01.1 Page 1060V
 Jul 01/04

BOEING
 COMPONENT
 MAINTENANCE MANUAL

FIG. & ITEM	PART NO.	AIRLINE PART NUMBER	NOMENCLATURE	EFF CODE	QTY PER ASSY
09- 10 10A	HL79-6 HST79CY6		1234567 DELETED ..COLLAR- (V73197) (SPEC BACC30BL6) (OPT HST79-6 (V56878)) (OPT HST79-6 (V92215)) (OPT HST79-6 (V5M902))	E,F,H ,L, N-R,T ,V,Y, Z,AC, AD AG,AH ,AK,A M,AP, AR	36
15	315T3126-7		..SHIM	E,F,H ,L, N-R,T ,V,Y, Z,AC, AD AG,AH ,AK,A M,AP, AR	1
20	315T3126-8		..STRIP-BACKING	E,F,H ,L, N-R,T ,V,Y, Z,AC, AD AG,AH ,AK,A M,AP, AR	1

71-11-33

ILLUSTRATED PARTS LIST
 01.1 Page 1060W
 Jul 01/04

FIG. & ITEM	PART NO.	AIRLINE PART NUMBER	NOMENCLATURE 1234567	EFF CODE	QTY PER ASSY
09-25	315T3126-10		..SHIM	E, F, H L, N-R, T V, Y, Z, AC, AD AG, AH AK, A M, AP, AR	2
30	315T3126-20		..STRIP-BACKING	E, F, H L, N-R, T V, Y, Z, AC, AD AG, AH AK, A M, AP, AR	2
35	315T3126-3		..SHIM	E, F, H L, N-R, T V, Y, Z, AC, AD AG, AH AK, A M, AP, AR	2
40	315T3126-4		..STRIP-BACKING	E, F, H L, N-R, T V, Y, Z, AC, AD AG, AH AK, A M, AP, AR	2

71-11-33

 ILLUSTRATED PARTS LIST
 01.1 Page 1060X
 Jul 01/04


BOEING
 COMPONENT
 MAINTENANCE MANUAL

FIG. & ITEM	PART NO.	AIRLINE PART NUMBER	NOMENCLATURE 1234567	EFF CODE	QTY PER ASSY
09-45	315T3126-5		..SHIM	E,F,H L, N-R,T V,Y, Z,AC, AD AG,AH AK,A M,AP, AR	2
50	315T3126-6		..STRIP-BACKING	E,F,H L, N-R,T V,Y, Z,AC, AD AG,AH AK,A M,AP, AR	2
55	315T3126-15		..SHIM	E,F,H L, N-R,T V,Y, Z,AC, AD AG,AH AK,A M,AP, AR	2

71-11-33

ILLUSTRATED PARTS LIST

01.1 Page 1060Y

Jul 01/04

FIG. & ITEM	PART NO.	AIRLINE PART NUMBER	NOMENCLATURE 1234567	EFF CODE	QTY PER ASSY
09-60	315T3126-16		..STRIP-BACKING	E, F, H L, N-R, T V, Y, Z, AC, AD AG, AH AK, A M, AP, AR	2
65	315T3126-17		..SHIM	E, F, H L, N-R, T V, Y, Z, AC, AD AG, AH AK, A M, AP, AR	2
70	315T3126-18		..STRIP-BACKING	E, F, H L, N-R, T V, Y, Z, AC, AD AG, AH AK, A M, AP, AR	2

71-11-33

 ILLUSTRATED PARTS LIST
 01.1 Page 1060Z
 Jul 01/04


BOEING
 COMPONENT
 MAINTENANCE MANUAL

FIG. & ITEM	PART NO.	AIRLINE PART NUMBER	NOMENCLATURE 1234567	EFF CODE	QTY PER ASSY
09-75	315T3126-19		..STRIP-BACKING	E,F,H L, N-R,T V,Y, Z,AC, AD AG,AH AK,A M,AP, AR	2
80	315T3126-9		..SHIM	E,F,H L, N-R,T V,Y, Z,AC, AD AG,AH AK,A M,AP, AR	1
85	315T3126-21		..STRIP-BACKING	E,F,H L, N-R,T V,Y, Z,AC, AD AG,AH AK,A M,AP, AR	1
90	315T3137-1		..MOLDING-INLET (USED ON ITEM 3B)	E,F,H L, N-R,T V,Y, Z,AC, AD AG,AH AK,A M,AP, AR	1

71-11-33

ILLUSTRATED PARTS LIST

01.1

Page 1061

Jul 01/04

FIG. & ITEM	PART NO.	AIRLINE PART NUMBER	NOMENCLATURE 1234567	EFF CODE	QTY PER ASSY
09- -90A	315T3137-1		..MOLDING-INLET (OPT ITEM 90B) (USED ON ITEMS 3, 3A, 3C)	E,F,H ,L, N-R,T ,V,Y, Z,AC, AD AG,AH ,AK,A M,AP, AR	1
-90B	315T3137-3		..MOLDING-INLET (OPT ITEM 90A) (USED ON ITEMS 3, 3A, 3C)	E,F,H ,L, N-R,T ,V,Y, Z,AC, AD AG,AH ,AK,A M,AP, AR	1
-90C	315T3137-3		..MOLDING-INLET (USED ON ITEM 3D)	E,F,H ,L, N-R,T ,V,Y, Z,AC, AD AG,AH ,AK,A M,AP, AR	1

71-11-33

ILLUSTRATED PARTS LIST

01.1

Page 1062

Jul 01/04

BOEING
 COMPONENT
 MAINTENANCE MANUAL

FIG. & ITEM	PART NO.	AIRLINE PART NUMBER	NOMENCLATURE 1234567	EFF CODE	QTY PER ASSY
09-95	315T3137-2		..MOLDING-INLET (USED ON ITEM 3B)	E,F,H ,L, N-R,T ,V,Y, Z,AC, AD AG,AH ,AK,A M,AP, AR	1
-95A	315T3137-2		..MOLDING-INLET (OPT ITEM 95B) (USED ON ITEMS 3, 3A, 3C)	E,F,H ,L, N-R,T ,V,Y, Z,AC, AD AG,AH ,AK,A M,AP, AR	1
-95B	315T3137-4		..MOLDING-INLET (OPT ITEM 95A) (USED ON ITEMS 3, 3A, 3C)	E,F,H ,L, N-R,T ,V,Y, Z,AC, AD AG,AH ,AK,A M,AP, AR	1
-95C	315T3137-4		..MOLDING-INLET (USED ON ITEM 3D)	E,F,H ,L, N-R,T ,V,Y, Z,AC, AD AG,AH ,AK,A M,AP, AR	1

71-11-33

ILLUSTRATED PARTS LIST
 01.1 Page 1062A
 Jul 01/04

FIG. & ITEM	PART NO.	AIRLINE PART NUMBER	NOMENCLATURE 1234567	EFF CODE	QTY PER ASSY
09-100	315T3126-2		..SYSTEM ASSY-INLET (USED ON ITEM 3)	E,F,H L, N-R,T V,Y, Z,AC, AD AG,AH AK,A M,AP, AR	1
-100A	315T3126-25		..SYSTEM ASSY-INLET (USED ON ITEM 3A)	E,F,H L, N-R,T V,Y, Z,AC, AD AG,AH AK,A M,AP, AR	1
-100B	315T3126-33		..SYSTEM ASSY-INLET (USED ON ITEM 3B)	E,F,H L, N-R,T V,Y, Z,AC, AD AG,AH AK,A M,AP, AR	1

71-11-33

 ILLUSTRATED PARTS LIST
 01.1 Page 1062B
 Jul 01/04

BOEING
 COMPONENT
 MAINTENANCE MANUAL

FIG. & ITEM	PART NO.	AIRLINE PART NUMBER	NOMENCLATURE 1234567	EFF CODE	QTY PER ASSY
09- -100C	315T3126-34		..SYSTEM ASSY-INLET (USED ON ITEM 3C)	E,F,H ,L, N-R,T ,V,Y, Z,AC, AD AG,AH ,AK,A M,AP, AR	1
102	NAS6703-4		ATTACHING PARTS ..BOLT- (USED WITH ITEMS 100A, 100B, 100C)	E,F,H ,L, N-R,T ,V,Y, Z,AC, AD AG,AH ,AK,A M,AP, AR	12
105	BACB30LJ3-4		..BOLT- (USED WITH ITEM 100)	E,F,H ,L, N-R,T ,V,Y, Z,AC, AD AG,AH ,AK,A M,AP, AR	12
107	NAS1149C0332R		..WASHER- (USED WITH ITEMS 100A, 100B, 100C)	E,F,H ,L, N-R,T ,V,Y, Z,AC, AD AG,AH ,AK,A M,AP, AR	12

71-11-33

ILLUSTRATED PARTS LIST
 01.1 Page 1062C
 Jul 01/04

FIG. & ITEM	PART NO.	AIRLINE PART NUMBER	NOMENCLATURE 1234567	EFF CODE	QTY PER ASSY
09-110	AN960PD10L		..WASHER- (USED WITH ITEM 100)	E,F,H L, N-R,T V,Y, Z,AC, AD AG,AH AK,A M,AP, AR	12
112	BRH10C3D		..NUT- (V52828) (SPEC BACN10JC3CD) (OPT T6C1032JCD (V11815)) (OPT NS202486-02 (V80539)) (OPT 102LH9075-3W (V72962)) (OPT H51650-3BAC (V15653)) (USED WITH ITEMS 100A, 100B, 100C) -----*-----	E,F,H L, N-R,T V,Y, Z,AC, AD AG,AH AK,A M,AP, AR	12

71-11-33

 ILLUSTRATED PARTS LIST
 01.1 Page 1062D
 Jul 01/04


BOEING
 COMPONENT
 MAINTENANCE MANUAL

FIG. & ITEM	PART NO.	AIRLINE PART NUMBER	NOMENCLATURE 1234567	EFF CODE	QTY PER ASSY
09-115	BOE2048-0501		...SEAL- (LIMITED) (V16632) (SPEC 60B89012-501) (USED ON ITEM 100)	E,F,H ,L, N-R,T ,V,Y, Z,AC, AD AG,AH ,AK,A M,AP, AR	1
-115A	60B89012-504		DELETED		
-115B	60B89012-504		DELETED		
-115C	BOE2048-0504		...SEAL- (LIMITED) (V16632) (SPEC 60B89012-504) (OPT 88B10201-504 (V60980)) (OPT 96D10458-504 (V60980)) (USED ON ITEM 100)	E,F,H ,L, N-R,T ,V,Y, Z,AC, AD AG,AH ,AK,A M,AP, AR	1
-115D	BOE2048-0504		...SEAL- (V16632) (SPEC 60B89012-504) (OPT 88B10201-504 (V60980)) (OPT 96D10458-504 (V60980)) (USED ON ITEMS 100A, 100B, 100C)	E,F,H ,L, N-R,T ,V,Y, Z,AC, AD AG,AH ,AK,A M,AP, AR	1

71-11-33

ILLUSTRATED PARTS LIST

01.1 Page 1062E

Jul 01/04

FIG. & ITEM	PART NO.	AIRLINE PART NUMBER	NOMENCLATURE 1234567	EFF CODE	QTY PER ASSY
09-120	BOE2048-0502		...SEAL ASSY- (LIMITED) (USED ON ITEM 100) (V16632) (SPEC 60B89012-502)	E, F, H , L, N-R, T , V, Y, Z, AC, AD AG, AH , AK, A M, AP, AR	1
-120A	60B89012-505		DELETED		
-120B	60B89012-505		DELETED		
-120C	BOE2048-0505		...SEAL- (LIMITED) (V16632) (SPEC 60B89012-505) (USED ON ITEM 100)	E, F, H , L, N-R, T , V, Y, Z, AC, AD AG, AH , AK, A M, AP, AR	1
-120D	BOE2048-0505		...SEAL- (V16632) (SPEC 60B89012-505) (USED ON ITEMS 100A, 100B, 100C)	E, F, H , L, N-R, T , V, Y, Z, AC, AD AG, AH , AK, A M, AP, AR	1
125	BACB30LH3U3		ATTACHING PARTS ...BOLT	E, F, H , L, N-R, T , V, Y, Z, AC, AD AG, AH , AK, A M, AP, AR	14
130	AN960C10L		DELETED		

71-11-33

ILLUSTRATED PARTS LIST

01.1 Page 1062F

Jul 01/04

BOEING
 COMPONENT
 MAINTENANCE MANUAL

FIG. & ITEM	PART NO.	AIRLINE PART NUMBER	NOMENCLATURE	EFF CODE	QTY PER ASSY
09-130A	NAS1149C0332R		1234567 ...WASHER	E, F, H , L, N-R, T , V, Y, Z, AC, AD AG, AH , AK, A M, AP, AR	14
135	BRH10C3		...NUT- (V52828) (SPEC BACN10JC3C) (OPT T6C1032J (V11815)) (OPT 97-02 (V80539)) (OPT 101LH9075-3W (V72962)) (OPT VN303B02 (V92215)) (OPT NS202101S02 (V80539)) (OPT H31-3BAC (V15653)) -----*	E, F, H , L, N-R, T , V, Y, Z, AC, AD AG, AH , AK, A M, AP, AR	14
140	315T3125-16		...DUCT ASSY-INLET (USED ON ITEM 100) (REWORKED BY SB 767-78-0074)	E, F, H , L, N-R, T , V, Y, Z, AC, AD AG, AH , AK, A M, AP, AR	1

71-11-33

ILLUSTRATED PARTS LIST
 01.1 Page 1062G
 Jul 01/04

FIG. & ITEM	PART NO.	AIRLINE PART NUMBER	NOMENCLATURE 1234567	EFF CODE	QTY PER ASSY
09- -140A	315T3125-19		...DUCT ASSY-INLET (USED ON ITEMS 100A, 100C) (REWORKED BY SB 767-78-0074)	E,F,H ,L, N-R,T ,V,Y, Z,AC, AD AG,AH ,AK,A M,AP, AR	1
-140B	315T3125-31		...DUCT ASSY-INLET (USED ON ITEM 100B) (REWORKED BY SB 767-78-0074)	E,F,H ,L, N-R,T ,V,Y, Z,AC, AD AG,AH ,AK,A M,AP, AR	1
145	BACR15CE3D3	RIVET	E,F,H ,L, N-R,T ,V,Y, Z,AC, AD AG,AH ,AK,A M,AP, AR	24
150	BRF200C3M	NUTPLATE- (V52828) (SPEC BACN10JR3CFM) (OPT F5001-3BAC (V15653)) (OPT NS103203SE02 (V80539)) (OPT T8092C1032 (V11815)) (OPT VN152D1-02 (V92215)) (OPT 109F9201-3 (V72962))	E,F,H ,L, N-R,T ,V,Y, AC,AD AG,AH ,AK,A M,AP, AR	8

71-11-33

 ILLUSTRATED PARTS LIST
 01.1 Page 1062H
 Jul 01/04


BOEING
 COMPONENT
 MAINTENANCE MANUAL

FIG. & ITEM	PART NO.	AIRLINE PART NUMBER	NOMENCLATURE 1234567	EFF CODE	QTY PER ASSY
09-155	NS103193SE02	NUTPLATE- (V80539) (SPEC BACN10KE3DCM) (OPT F51753-3DL (V15653))	E,F,H ,L, N-R,T ,V,Y, Z,AC, AD AG,AH ,AK,A M,AP, AR	4
160	HL10VAZ5-2	BOLT- (V60516) (SPEC BACB30MY5K2) (OPT B30MY5K2 (V97928))	E,F,H ,L, N-R,T ,V,Y, Z,AC, AD AG,AH ,AK,A M,AP, AR	16
165	HL10VAZ5-3	BOLT- (V60516) (SPEC BACB30MY5K3) (OPT B30MY5K3 (V97928))	E,F,H ,L, N-R,T ,V,Y, Z,AC, AD AG,AH ,AK,A M,AP, AR	2
170	HL70-5	COLLAR- (V5M902) (SPEC BACC30M5) (OPT HL70-5 (V73197)) (OPT HL70-5 (V92215)) (OPT 66014-5 (V56878)) (OPT HL70-5 (V56878))	E,F,H ,L, N-R,T ,V,Y, Z,AC, AD AG,AH ,AK,A M,AP, AR	18

71-11-33

ILLUSTRATED PARTS LIST

01.1 Page 1062I

Jul 01/04

FIG. & ITEM	PART NO.	AIRLINE PART NUMBER	NOMENCLATURE 1234567	EFF CODE	QTY PER ASSY
09-175	HL1012AZ5-3	BOLT- (V97928) (SPEC BACB30NX5K3) (OPT HL12VAZ5-3 (V73197)) (OPT HL12VAZ5-3 (V92215)) (OPT HL12VAZ5-3 (V97928)) (OPT L802-5K3 (V06725)) (OPT HL12VAZ5-3 (V56878)) (OPT HL1012AZ5-3 (V0PTK6)) (OPT HL1012AZ5-3 (V06725)) (OPT HL1012AZ5-3 (V06950)) (OPT HL1012AZ5-3 (V17446)) (OPT HL1012AZ5-3 (V56878)) (OPT HL1012AZ5-3 (V60516)) (OPT HL1012AZ5-3 (V73197))	E, F, H L, N-R, T V, Y, Z, AC, AD AG, AH AK, A M, AP, AR	6

71-11-33

ILLUSTRATED PARTS LIST

01.1 Page 1062J

Jul 01/04

BOEING
 COMPONENT
 MAINTENANCE MANUAL

FIG. & ITEM	PART NO.	AIRLINE PART NUMBER	NOMENCLATURE 1234567	EFF CODE	QTY PER ASSY
09-180	HL1187-5	COLLAR- (V5M902) (SPEC BACC30X5) (OPT HL87-5 (V73197)) (OPT HL87-5 (V92215)) (OPT HL86PB5 (V73197)) (OPT HL86PB5 (V56878)) (OPT HL86PB5 (V92215)) (OPT HL1187-5 (V56878)) (OPT HL1187-5 (V92215)) (OPT HL87-5 (V56878)) (OPT HL1187-5 (V73197))	E,F,H ,L, N-R,T ,V,Y, Z,AC, AD AG,AH ,AK,A M,AP, AR	6
185	315T3239-7	BRACKET- (USED ON ITEM 140)	E,F,H ,L, N-R,T ,V,Y, Z,AC, AD AG,AH ,AK,A M,AP, AR	1
185A	315T3239-17	BRACKET- (USED ON ITEMS 140A, 140B)	E,F,H ,L, N-R,T ,V,Y, Z,AC, AD AG,AH ,AK,A M,AP, AR	1

71-11-33

ILLUSTRATED PARTS LIST
 01.1 Page 1062K
 Jul 01/04

FIG. & ITEM	PART NO.	AIRLINE PART NUMBER	NOMENCLATURE	EFF CODE	QTY PER ASSY
09-190	315T3239-8		1234567BRACKET- (USED ON ITEM 140)	E,F,H ,L, N-R,T ,V,Y, Z,AC, AD AG,AH ,AK,A M,AP, AR	1
190A	315T3239-18	BRACKET- (USED ON ITEMS 140A, 140B)	E,F,H ,L, N-R,T ,V,Y, Z,AC, AD AG,AH ,AK,A M,AP, AR	1
195	315T3125-2	BOND ASSY	E,F,H ,L, N-R,T ,V,Y, Z,AC, AD AG,AH ,AK,A M,AP, AR	1

71-11-33

 ILLUSTRATED PARTS LIST
 01.1 Page 1062L
 Jul 01/04


BOEING
 COMPONENT
 MAINTENANCE MANUAL

FIG. & ITEM	PART NO.	AIRLINE PART NUMBER	NOMENCLATURE 1234567	EFF CODE	QTY PER ASSY
09- 200	315T3125-3	BOND ASSY	E,F,H ,L, N-R,T ,V,Y, Z,AC, AD AG,AH ,AK,A M,AP, AR	1
205 205A	BACR15BB5B L8055A		DELETED ...BOLT- (V06725) (SPEC BACB30FM5A) (OPT HL18-5A (V06725)) (SIZE DETERMINE ON INST)	E,F,H ,L, N-R,T ,V,Y, Z,AC, AD AG,AH ,AK,A M,AP, AR	8
210 210A	AN960-8 HL97DU5		DELETED ...COLLAR- (V73197) (SPEC BACC30AB5S) (OPT HL97DU5 (V92215)) (OPT HL97DU5 (V56878))	E,F,H ,L, N-R,T ,V,Y, Z,AA, AD AG,AH ,AK,A M,AP, AR	8

71-11-33

 ILLUSTRATED PARTS LIST
 01.1 Page 1062M
 Jul 01/04

FIG. & ITEM	PART NO.	AIRLINE PART NUMBER	NOMENCLATURE 1234567	EFF CODE	QTY PER ASSY
09-215	315T3136-1		...BOND ASSY-LIP (USED ON ITEMS 100, 100A)	E,F,H ,L, N-R,T ,V,Y, Z,AC, AD AG,AH ,AK,A M,AP, AR	1
-215A	315T3136-3		...BOND ASSY-LIP (USED ON ITEMS 100B, 100C)	E,F,H ,L, N-R,T ,V,Y, Z,AC, AD AG,AH ,AK,A M,AP, AR	1
220	315T3126-11		..SPACER- (USED ON ITEM 3)	E,F,H ,L, N-R,T ,V,Y, Z,AC, AD AG,AH ,AK,A M,AP, AR	1
-220A	BACS40R09B31F		DELETED		

71-11-33

ILLUSTRATED PARTS LIST

01.1 Page 1062N

Jul 01/04

BOEING
 COMPONENT
 MAINTENANCE MANUAL

FIG. & ITEM	PART NO.	AIRLINE PART NUMBER	NOMENCLATURE	EFF CODE	QTY PER ASSY
09- -220B	BACS40R009B031F		1234567 ..SHIM- (USED ON ITEMS 3A, 3B, 3C, 3D)	E,F,H ,L, N-R,T ,V,Y, Z,AC, AD AG,AH ,AK,A M,AP, AR	AR
225	315T3126-12		..SPACER- (USED ON ITEM 3)	E,F,H ,L, N-R,T ,V,Y, Z,AC, AD AG,AH ,AK,A M,AP, AR	1
-225A -225B	BACS40R09B41F BACS40R009B041F		DELETED ..SHIM- (USED ON ITEMS 3A, 3B, 3C, 3D)	E,F,H ,L, N-R,T ,V,Y, Z,AC, AD AG,AH ,AK,A M,AP, AR	AR

71-11-33

ILLUSTRATED PARTS LIST
 01.1 Page 10620
 Jul 01/04

FIG. & ITEM	PART NO.	AIRLINE PART NUMBER	NOMENCLATURE	EFF CODE	QTY PER ASSY
09-230	315T3126-22		1234567 ..SHIM- (USED ON ITEM 3)	E,F,H ,L, N-R,T ,V,Y, Z,AC, AD AG,AH ,AK,A M,AP, AR	2
-230A	BACS40R09B32F		DELETED		
-230B	BACS40R09B30F		DELETED		
-230C	BACS40R009B030F		..SHIM- (USED ON ITEMS 3A, 3B, 3C, 3D)	E,F,H ,L, N-R,T ,V,Y, Z,AC, AD AG,AH ,AK,A M,AP, AR	AR

- Item Not Illustrated

71-11-33

ILLUSTRATED PARTS LIST

01.1 Page 1062P

Jul 01/04

FIGURE 10 HAS BEEN DELETED

Not Used
Figure 10

71-11-33

ILLUSTRATED PARTS LIST
01.1 Page 1062R
Jul 01/04


BOEING
 COMPONENT
 MAINTENANCE MANUAL

FIG. & ITEM	PART NO.	AIRLINE PART NUMBER	NOMENCLATURE 1234567	EFF CODE	QTY PER ASSY
10-					
-1	315T3300-23		DELETED		
-5	315T3300-24		DELETED		
10	MS20615-5MP		DELETED		
15	BACR15FT5KE		DELETED		
20	315T3406-3		DELETED		
-25	315T3406-4		DELETED		
30	315T3303-21		DELETED		
-35	315T3303-22		DELETED		
40	BACB28U12B042		DELETED		
45	BACB28W12B042		DELETED		
50	BACB28W12B076		DELETED		
55	315T3303-19		DELETED		
-60	315T3303-20		DELETED		
70	BACB30NU3K8		DELETED		
75	BACB30NR4K10		DELETED		
80	BACB30NU4K10		DELETED		
85	BACB30NU4K11		DELETED		
90	BACB30NU4K12		DELETED		
95	BACB30NU4K14		DELETED		
100	BACR15BA3AD		DELETED		
105	315T3300-6		DELETED		
110	315T3300-5		DELETED		
115	BACF3F007G063NN		DELETED		
120	315T3300-11		DELETED		
125	BACF3F008G062NN		DELETED		
130	BACS40R12C35F		DELETED		
135	315T3537-1		DELETED		
-140	315T3537-2		DELETED		
145	BACR15BA3AD		DELETED		
150	T8125C3C		DELETED		

71-11-33

 ILLUSTRATED PARTS LIST
 01.1 Page 1062S
 Jul 01/04

FIG. & ITEM	PART NO.	AIRLINE PART NUMBER	NOMENCLATURE 1234567	EFF CODE	QTY PER ASSY
10-					
155	T8125C4C		DELETED		
160	BRF200C3M		DELETED		
165	315T3302-5		DELETED		
-170	315T3302-6		DELETED		
175	315T3317-1		DELETED		
175A	315T3257-1		DELETED		
180	NAS623-3-26		DELETED		
185	H10-3BAC		DELETED		
190	315T3257-2		DELETED		
195	AN960PD10L		DELETED		
200	NAS6703H12		DELETED		
205	BACB30LL3-3		DELETED		
210	H10-3BAC		DELETED		
215	315T3415-8		DELETED		
-220	315T3415-9		DELETED		
225	315T3302-7		DELETED		
-230	315T3302-8		DELETED		
235	315T3301-69		DELETED		
-235A	315T3301-65		DELETED		
-240	315T3301-66		DELETED		
-240A	315T3301-70		DELETED		
245	BACR15BB3AD		DELETED		
250	315T3301-45		DELETED		
255	315T3301-60		DELETED		
260	HL11VAZ5-19		DELETED		
265	HL70-5		DELETED		
270	315T3130-10		DELETED		
275	BACR15CE3M		DELETED		
280	BRM100C3M		DELETED		
285	315T3130-9		DELETED		
290	ASPFFDT8-20		DELETED		
295	ASPFSDT8		DELETED		
300	ASPLC2AC8		DELETED		
305	HL13VAZ8-20		DELETED		
310	HL13VAZ8-21		DELETED		

71-11-33

 ILLUSTRATED PARTS LIST
 01.1 Page 1062T
 Jul 01/04


BOEING
 COMPONENT
 MAINTENANCE MANUAL

FIG. & ITEM	PART NO.	AIRLINE PART NUMBER	NOMENCLATURE 1234567	EFF CODE	QTY PER ASSY
10-					
315	HL79-8		DELETED		
320	HL12VAZ8-23		DELETED		
325	HL1187DUW8		DELETED		
330	HL10VAZ6-23		DELETED		
335	HL10VAZ6-22		DELETED		
340	HL79-6		DELETED		
345	315T3300-12		DELETED		
350	315T3300-13		DELETED		
355	315T3308-33		DELETED		
-360	315T3308-34		DELETED		
365	BACB28AM09B021A		DELETED		
370	BACB28AP06P021		DELETED		
375	BACR15BA3AD		DELETED		
380	BRM300C08M		DELETED		
385	T8125C08C		DELETED		
390	315T3308-23		DELETED		
-395	315T3308-24		DELETED		
400	315T3308-35		DELETED		
405	315T3308-31		DELETED		
-407	315T3308-32		DELETED		
410	HL10VAZ6-20		DELETED		
415	HL10VAZ6-21		DELETED		
420	HL79-6		DELETED		
425	315T3310-5		DELETED		
-430	315T3310-6		DELETED		
435	BACR15BA3AD		DELETED		
440	T8125C08C		DELETED		
445	315T3310-7		DELETED		
-450	315T3310-8		DELETED		
455	HL13VAZ6-22		DELETED		
460	HL13VAZ6-21		DELETED		
465	HL1187DUW6		DELETED		
470	HL10VAZ6-16		DELETED		
475	HL10C6-15		DELETED		
480	HL82-6APBW		DELETED		
485	315T3309-1		DELETED		
-490	315T3309-2		DELETED		
495	BACR15BA3AD		DELETED		
500	BRM200C08M		DELETED		
505	315T3309-3		DELETED		

71-11-33

 ILLUSTRATED PARTS LIST
 01.1 Page 1062U
 Jul 01/04

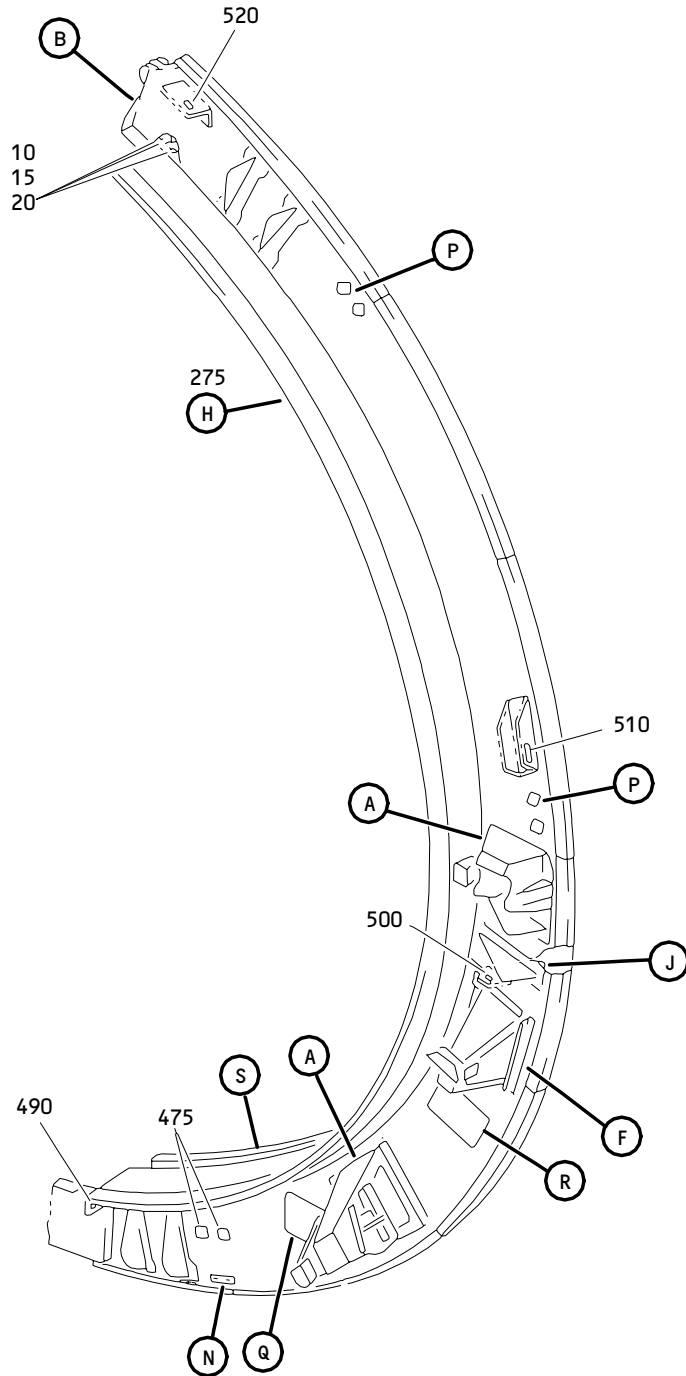
FIG. & ITEM	PART NO.	AIRLINE PART NUMBER	NOMENCLATURE	EFF CODE	QTY PER ASSY
			1234567		
10-					
-510	315T3309-4		DELETED		
515	BACB30NM3K3		DELETED		
520	AN960PD10L		DELETED		
525	BRM200A3		DELETED		
530	PLT1001-5-2		DELETED		
-530A	MS21141-0502P		DELETED		

- Item Not Illustrated

*(2) USE THESE FASTENERS FOR FIBERGLASS BULLNOSE.

71-11-33

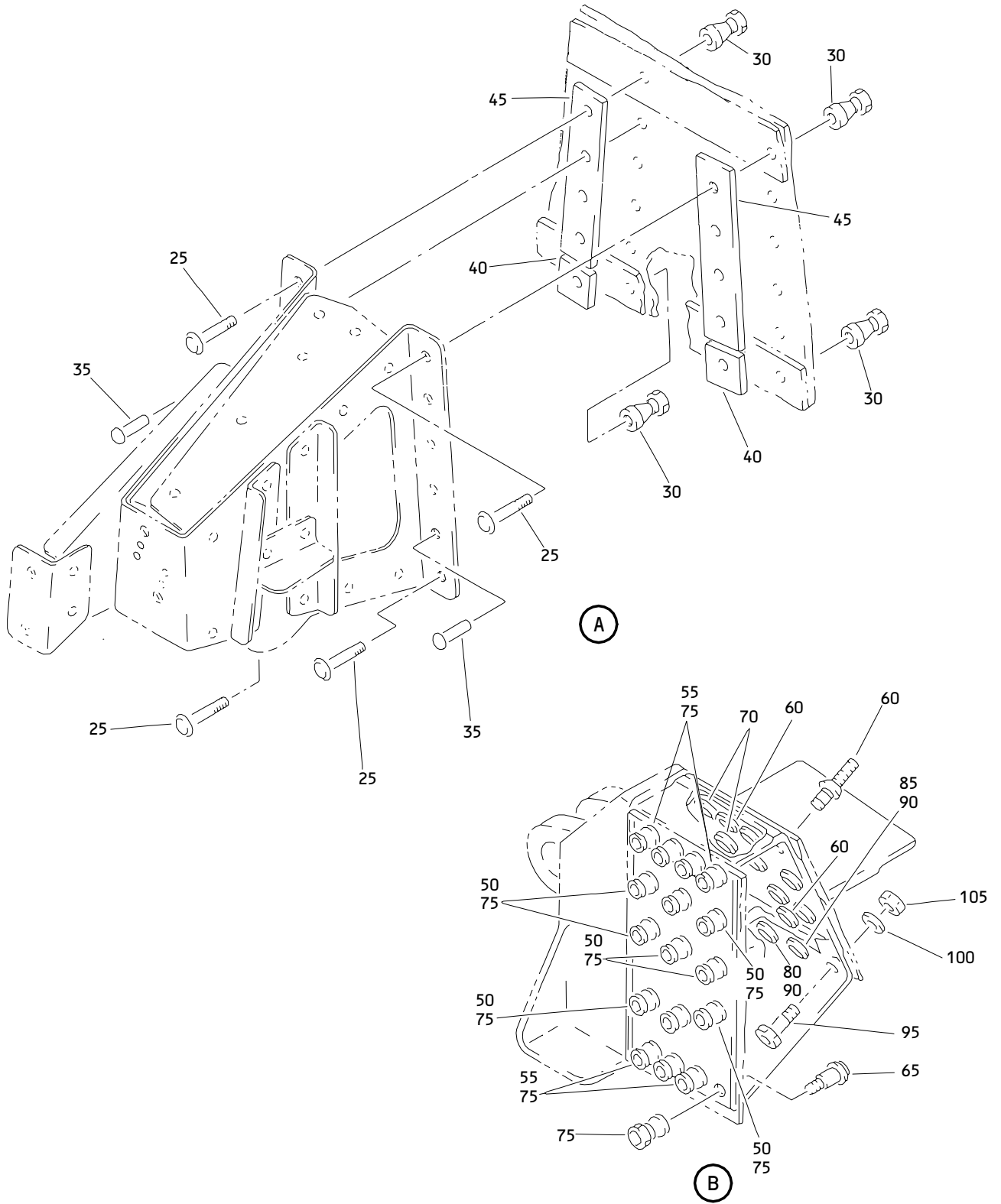
ILLUSTRATED PARTS LIST
 01.1 Page 1062V
 Jul 01/04



Common Point Collector Assembly
Figure 11 (sheet 1)

71-11-33

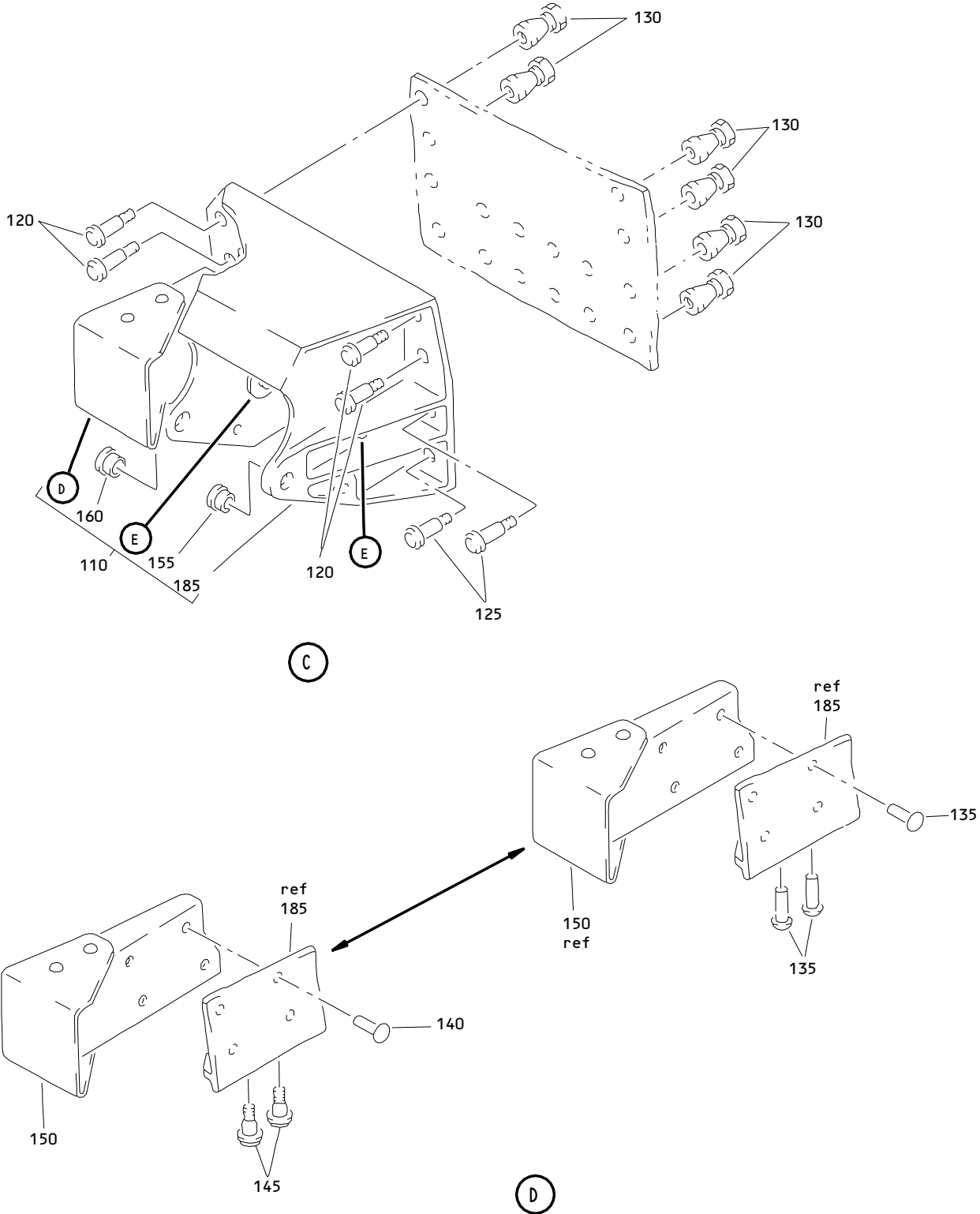
ILLUSTRATED PARTS LIST
01.1 Page 1062X
Jul 01/04



Common Point Collector Assembly
Figure 11 (Sheet 2)

71-11-33

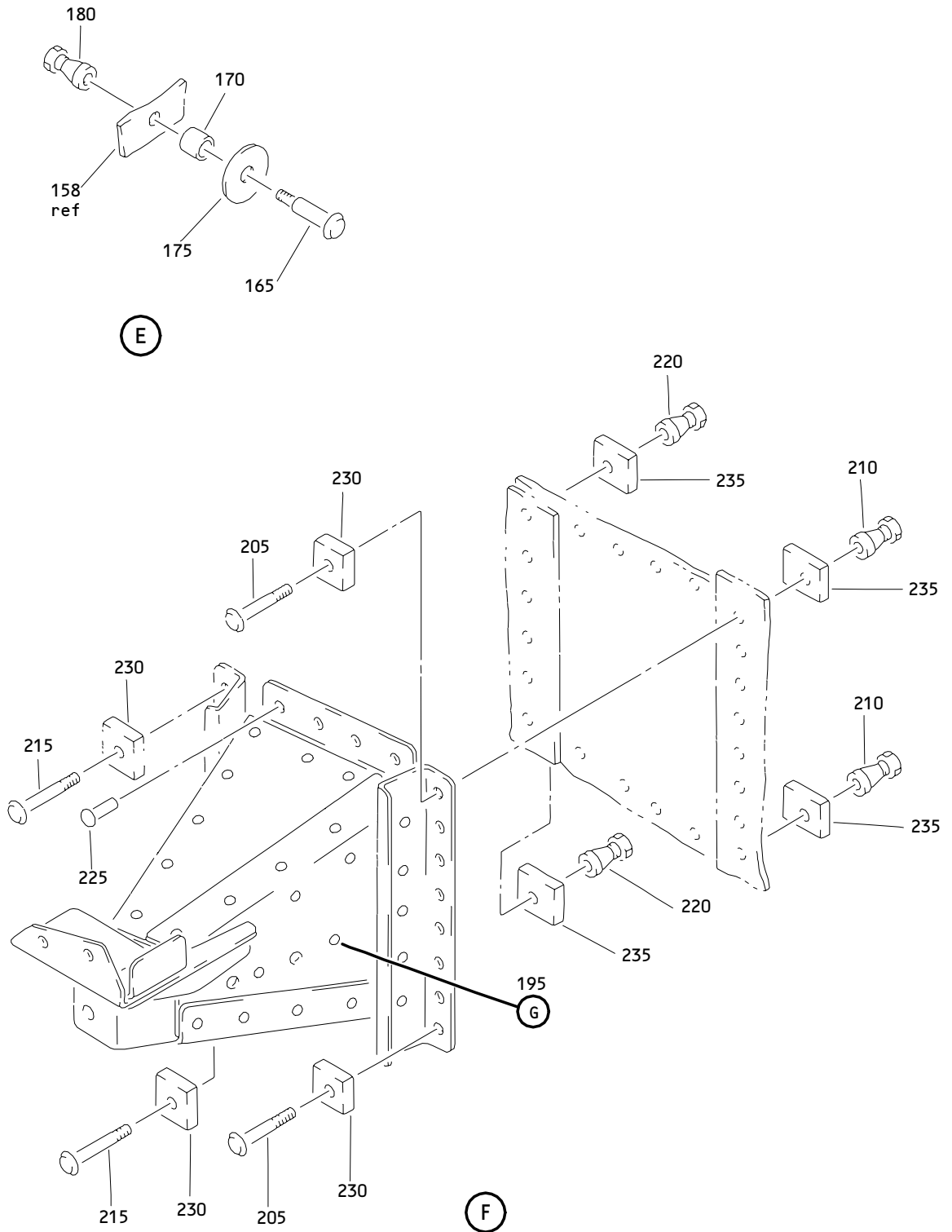
ILLUSTRATED PARTS LIST
01.1 Page 1062Y
Jul 01/04



Common Point Collector Assembly
 Figure 11 (Sheet 3)

71-11-33

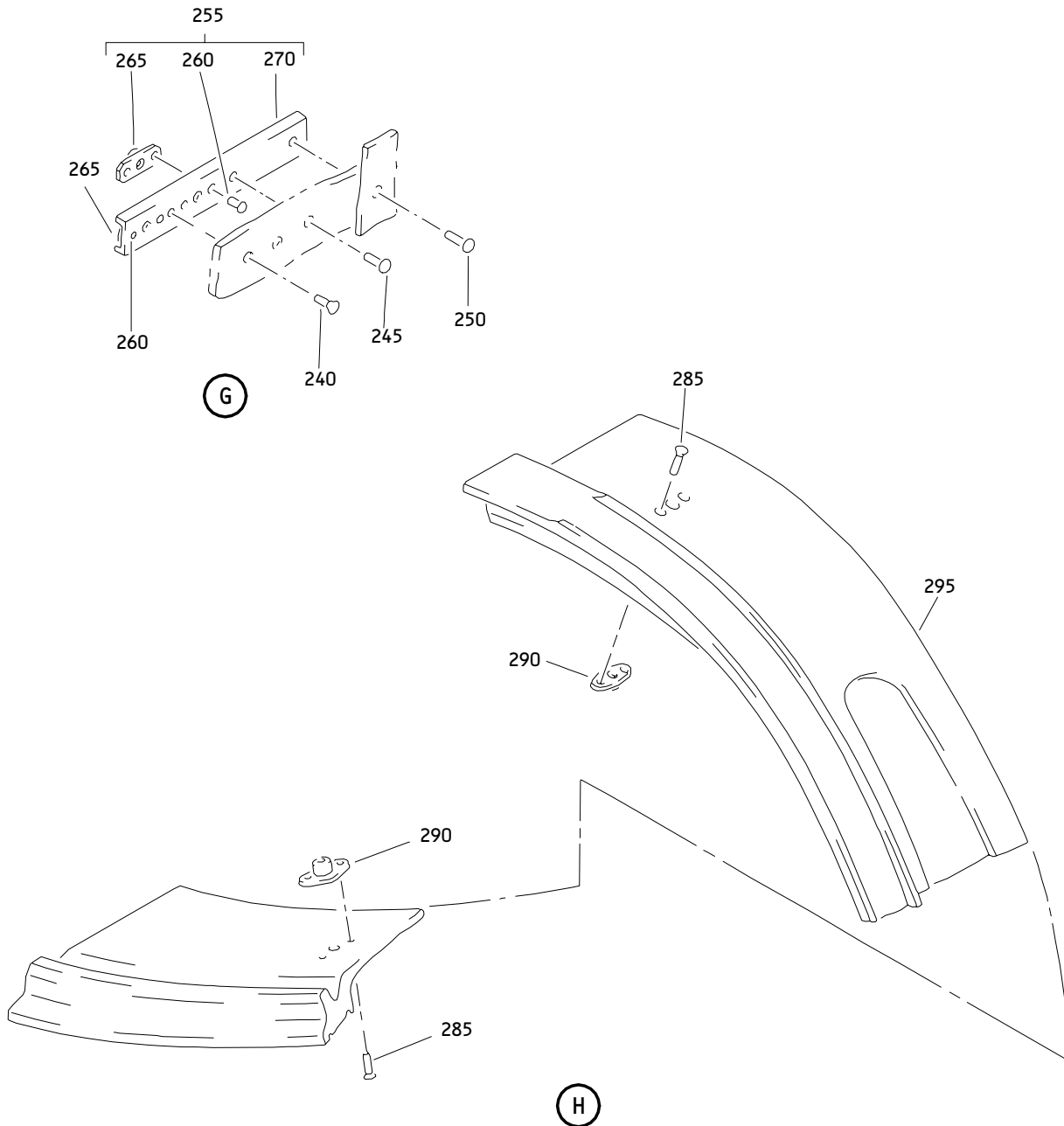
ILLUSTRATED PARTS LIST
 01.1 Page 10622
 Jul 01/04



Common Point Collector Assembly
 Figure 11 (Sheet 4)

71-11-33

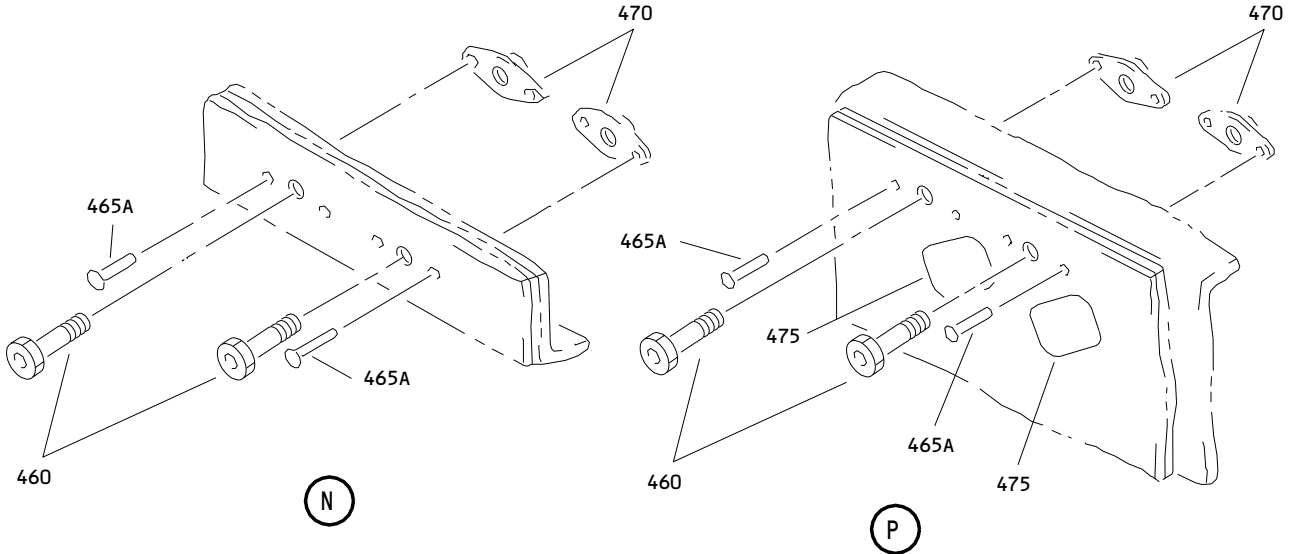
ILLUSTRATED PARTS LIST
 01.1 Page 1063
 Jul 01/04



Common Point Collector Assembly
Figure 11 (sheet 5)

71-11-33

ILLUSTRATED PARTS LIST
01.1 Page 1064
Jul 01/04



480

CAUTION

" THE INBOARD THRUST REVERSER HALVES MUST NOT BE OPENED UNLESS INBOARD LEADING EDGE SLATS ARE RETRACTED TO CRUISE POSITION AND PLACARDED AS FOLLOWS:

1. RETRACT INBOARD LEADING EDGE SLATS.
2. ATTACH DO-NOT-OPERATE IDENTIFIER TO FLAP CONTROL LEVER.
3. CHECK THAT ALTERNATE FLAP SLAT POSITION SELECTOR ON PILOTS P3-1 PANEL IS IN NORM POSITION AND ATTACH DO-NOT-OPERATE IDENTIFIER.

IF EXTENSIVE ENGINE WORK IS BEING ACCOMPLISHED, IT MAY BE DESIRABLE TO DEACTIVATE THE PRIMARY AND ALTERNATE LEADING EDGE DRIVE SYSTEMS PER MM 27-81-00."

485

Q

WARNING

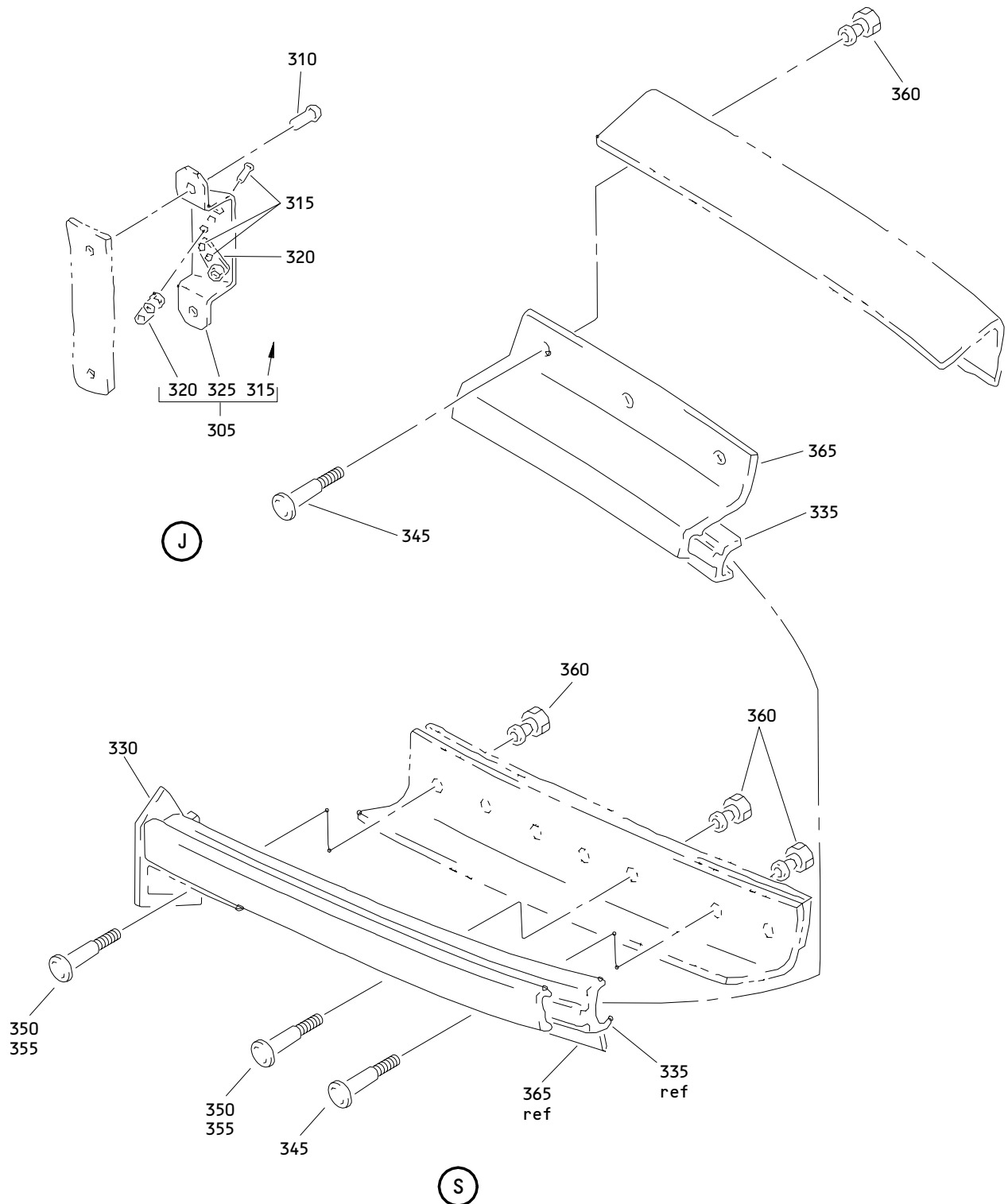
DO NOT STAND BETWEEN THE FAN DUCT COWL AND THRUST REVERSER AND THE ENGINE UNLESS THE FAN DUCT COWL AND THRUST REVERSER IS SECURED WITH HOLD OPEN ROD. AN EXPOSED RED BAND WITH THE WORD "UNLOCKED" ON HOLD OPEN ROD INDICATES THE ROD IS NOT LOCKED. THE ROD MUST BE FULLY EXTENDED AND THE RED BAND MUST BE COVERED FOR THE ROD TO BE LOCKED. A SLING (LIFT) MUST BE USED PER MM78-31-00 IN ADDITION TO HOLD OPEN ROD WHEN HYDRAULIC COWL OPENING SYSTEM IS INOPERATIVE. TOOL A78001 MUST BE USED IN CONJUNCTION WITH HYDRAULIC COWL OPENING SYSTEM WHEN ENGINE IS NOT INSTALLED. SERIOUS OR FATAL INJURY MAY OCCUR IF FAN DUCT COWL AND THRUST REVERSER SWINGS SHUT.

R

Common Point Collector Assembly
 Figure 11 (Sheet 6)

71-11-33

ILLUSTRATED PARTS LIST
 01.1 Page 1064A
 Jul 01/04



Common Point Collector Assembly
 Figure 11 (Sheet 7)

71-11-33

ILLUSTRATED PARTS LIST
 01.1 Page 1064B
 Jul 01/04

BOEING
 COMPONENT
 MAINTENANCE MANUAL

FIG. & ITEM	PART NO.	AIRLINE PART NUMBER	NOMENCLATURE 1234567	EFF CODE	QTY PER ASSY
11- -1	315T3202-7001		COLLECTOR ASSY-COMMON POINT	B,C,G ,K,S, U,W,X ,AA,A B,AE AF,AN ,AQ	RF
-1A	315T3202-7011		COLLECTOR ASSY-COMMON POINT	AS,AU ,AW,A Y,BA, BC,BE ,BG	RF
-5	315T3202-7002		COLLECTOR ASSY-COMMON POINT	F,L,P ,Q,T, V,Y,Z ,AC,A D,AG AH,AP ,AR	RF
-5A	315T3202-7012		COLLECTOR ASSY-COMMON POINT	AT,AV ,AX,A Z,BB, BD,BF ,BH	RF
10	BACB30LJ3K5		.BOLT- (OPT ITEM 10A)	B,C,F ,G,K, L,P,Q ,S-AH AN-BH	2
-10A	NAS6703A5		.BOLT- (OPT ITEM 10)	B,C,F ,G,K, L,P,Q ,S-AH AN-BH	2
15	AN960PD10		.WASHER	B,C,F ,G,K, L,P,Q ,S-AH AN-BH	2

71-11-33

ILLUSTRATED PARTS LIST
 01.1 Page 1064C
 Jul 01/04

FIG. & ITEM	PART NO.	AIRLINE PART NUMBER	NOMENCLATURE 1234567	EFF CODE	QTY PER ASSY
11-20	H10-3BAC		.NUT- (V15653) (SPEC BACN10JC3) (OPT NS202101-02 (V80539)) (OPT RMLH9075-3W (V72962)) (OPT T6S1032J (V71087)) (OPT VN303A02 (V92215)) (OPT 96-02 (V80539)) (OPT BRH10A3 (V52828))	B,C,F ,G,K, L,P,Q ,S-AH AN-BH	2
25	HL10VAZ6-5		.BOLT- (V60516) (SPEC BACB30MY6K5) (OPT B30MY6K5 (V97928))	B,C,F ,G,K, L,P,Q ,S-AH AN-BH	4
30	HL79-6		.COLLAR- (V5M902) (SPEC BACC30M6) (OPT HL79-6 (V73197)) (OPT HL79-6 (V92215)) (OPT 66014-6 (V56878)) (OPT HL79-6 (V56878))	B,C,F ,G,K, L,P,Q ,S-AH AN-BH	4
35	BACR15FT6KE		.RIVET- (SIZE DETERMINE ON INST)	B,C,F ,G,K, L,P,Q ,S-AH AN-BH	8
40	BACF3F009D009NN		.FILLER	B,C,F ,G,K, L,P,Q ,S-AH AN-BH	2

71-11-33

ILLUSTRATED PARTS LIST

01.1 Page 1064D

Jul 01/04


BOEING
 COMPONENT
 MAINTENANCE MANUAL

FIG. & ITEM	PART NO.	AIRLINE PART NUMBER	NOMENCLATURE 1234567	EFF CODE	QTY PER ASSY
11-45	BACF3F009L046NN		. FILLER	B,C,F ,G,K, L,P,Q ,S-AH AN-BH	2
50	HL10VAZ6-4		. BOLT- (V60516) (SPEC BACB30MY6K4) (OPT B30MY6K4 (V97928))	B,C,F ,G,K, L,P,Q ,S-AH AN-BH	7
55	HL10VAZ6-5		. BOLT- (V60516) (SPEC BACB30MY6K5) (OPT B30MY6K5 (V97928))	B,C,F ,G,K, L,P,Q ,S-AH AN-BH	9
60	MS21141-0605P		. FASTENER	B,C,F ,G,K, L,P,Q ,S-AH AN-BH	8
65	L8006K6		. BOLT- (V06725) (SPEC BACB30MY6K6) (OPT HL10VAZ6-6 (VOPTK6))	B,C,F ,G,K, L,P,Q ,S-AH AN-BH	1
70	MS21141-0606P		. FASTENER	B,C,F ,G,K, L,P,Q ,S-AH AN-BH	2

71-11-33

ILLUSTRATED PARTS LIST

01.1 Page 1064E

Jul 01/04

FIG. & ITEM	PART NO.	AIRLINE PART NUMBER	NOMENCLATURE 1234567	EFF CODE	QTY PER ASSY
11-75	HL79-6		.COLLAR- (V5M902) (SPEC BACC30M6) (OPT HL79-6 (V73197)) (OPT HL79-6 (V92215)) (OPT 66014-6 (V56878)) (OPT HL79-6 (V56878))	B,C,F ,G,K, L,P,Q ,S-AH AN-BH	17
80	HL10VAZ8-6		.BOLT- (V60516) (SPEC BACB30MY8K6) (OPT B30MY8K6 (V97928))	B,C,F ,G,K, L,P,Q ,S-AH AN-BH	1
85	HL10VAZ8-7		.BOLT- (V60516) (SPEC BACB30MY8K7) (OPT B30MY8K7 (V97928))	B,C,F ,G,K, L,P,Q ,S-AH AN-BH	1
90	HL79-8		.COLLAR- (V5M902) (SPEC BACC30M8) (OPT HL79-8 (V73197)) (OPT HL79-8 (V92215)) (OPT 66014-8 (V56878)) (OPT HL79-8 (V56878))	B,C,F ,G,K, L,P,Q ,S-AH AN-BH	2

71-11-33

ILLUSTRATED PARTS LIST

01.1 Page 1064F

Jul 01/04

 **BOEING**
 COMPONENT
 MAINTENANCE MANUAL

FIG. & ITEM	PART NO.	AIRLINE PART NUMBER	NOMENCLATURE 1234567	EFF CODE	QTY PER ASSY
11-95	BACB30NR4K7		.BOLT	B,C,F ,G,K, L,P,Q ,S-AH AN-BH	1
100	AN96OPD416L		.WASHER	B,C,F ,G,K, L,P,Q ,S-AH AN-BH	1
105	BRH10A4		.NUT- (V52828) (SPEC BACN10JC4) (OPT T6S428J (V11815)) (OPT 96-048 (V80539)) (OPT VN303A048 (V92215)) (OPT RMLH9075-4W (V72962)) (OPT NS202101-048 (V80539)) (OPT H10-4BAC (V15653))	B,C,F ,G,K, L,P,Q ,S-AH AN-BH	1
110	315T3730-7		.FITTING ASSY-SPRT	B,C,G ,K,S, U,W,X ,AA,A B,AE AF,AN ,AQ,A S,AU, AW,AY ,BA BC,BE ,BG	1

71-11-33

ILLUSTRATED PARTS LIST
 01.1 Page 1064G
 Jul 01/04

FIG. & ITEM	PART NO.	AIRLINE PART NUMBER	NOMENCLATURE 1234567	EFF CODE	QTY PER ASSY
11- -115	315T3730-2		.FITTING ASSY-SPRT	F,L,P ,Q,T, V,Y,Z ,AC,A D,AG AH,AP ,AR,A T,AV, AX,AZ ,BB BD,BF ,BH	1
120	HL1012AZ6-6		ATTACHING PARTS .BOLT- (V97928) (SPEC BACB30NX6K6) (OPT HL12VAZ6-6 (V73197)) (OPT HL12VAZ6-6 (V92215)) (OPT HL12VAZ6-6 (V97928)) (OPT L802-6K6 (V06725)) (OPT HL12VAZ6-6 (V56878)) (OPT HL1012AZ6-6 (V0PTK6)) (OPT HL1012AZ6-6 (V06725)) (OPT HL1012AZ6-6 (V06950)) (OPT HL1012AZ6-6 (V17446)) (OPT HL1012AZ6-6 (V56878)) (OPT HL1012AZ6-6 (V60516)) (OPT HL1012AZ6-6 (V73197))	B,C,F ,G,K, L,P,Q ,S-AH AN-BH	4

71-11-33

ILLUSTRATED PARTS LIST

01.1 Page 1064H

Jul 01/04

BOEING
 COMPONENT
 MAINTENANCE MANUAL

FIG. & ITEM	PART NO.	AIRLINE PART NUMBER	NOMENCLATURE 1234567	EFF CODE	QTY PER ASSY
11-125	HL1012AZ6-8		.BOLT- (V97928) (SPEC BACB30NX6K8) (OPT HL12VAZ6-8 (V73197)) (OPT HL12VAZ6-8 (V92215)) (OPT HL12VAZ6-8 (V97928)) (OPT L802-6K8 (V06725)) (OPT HL12VAZ6-8 (V56878)) (OPT HL1012AZ6-8 (V0PTK6)) (OPT HL1012AZ6-8 (V06725)) (OPT HL1012AZ6-8 (V06950)) (OPT HL1012AZ6-8 (V17446)) (OPT HL1012AZ6-8 (V56878)) (OPT HL1012AZ6-8 (V60516)) (OPT HL1012AZ6-8 (V73197))	B,C,F ,G,K, L,P,Q ,S-AH AN-BH	12
130	HL1187DU6		.COLLAR- (V5M902) (SPEC BACC30X6S) (OPT HL87DU6 (V73197)) (OPT HL87DU6 (V92215)) (OPT HL1187DU6 (V56878)) (OPT HL1187DU6 (V92215)) (OPT HL87DU6 (V56878)) (OPT HL1187DU6 (V73197)) (OPT ITEM 130A)	B,C,F ,G,K, L,P,Q ,S-AH AN-BH	16

71-11-33

ILLUSTRATED PARTS LIST
 01.1 Page 1064I
 Jul 01/04

FIG. & ITEM	PART NO.	AIRLINE PART NUMBER	NOMENCLATURE 1234567	EFF CODE	QTY PER ASSY
11- -130A	HL1187-6		.COLLAR- (V5M902) (SPEC BACC30X6) (OPT HL87-6 (V73197)) (OPT HL87-6 (V92215)) (OPT HL1187-6 (V56878)) (OPT HL1187-6 (V92215)) (OPT HL87-6 (V56878)) (OPT HL1187-6 (V73197)) (OPT ITEM 130) -----*	B,C,F ,G,K, L,P,Q ,S-AH AN-BH	16
135	BACR15BB5AD		..RIVET- (SIZE DETERMINE ON INST)	F,L,P ,Q,T, V,Y,Z ,AC,A D,AG AH,AP ,AR,A T,AV, AX,AZ ,BB BD,BF ,BH	6
140	BACR15BB5AD		..RIVET- (SIZE DETERMINE ON INST)	B,C,G ,K,S, U,W,X ,AA,A B,AE AF,AN ,AQ,A S,AU, AW,AY ,BA BC,BE ,BG	4

71-11-33

ILLUSTRATED PARTS LIST

01.1 Page 1064J

Jul 01/04


BOEING
 COMPONENT
 MAINTENANCE MANUAL

FIG. & ITEM	PART NO.	AIRLINE PART NUMBER	NOMENCLATURE 1234567	EFF CODE	QTY PER ASSY
11-145	HL441UC5-4		..BOLT- (V60516) (SPEC BACB30FM5A4) (OPT HL440UC5-4 (V73197)) (OPT HL440UC5-4 (V92215)) (OPT HL440UC5-4 (V97928)) (OPT HL440UC5-4 (V80539)) (OPT WC130-5-4 (V60516)) (OPT 67067-5A4 (V56878)) (OPT L8055A4 (V06725)) (OPT HL440UC5-4 (V56878))	B,C,G ,K,S, U,W,X ,AA,A B,AE AF,AN ,AQ,A S,AU, AW,AY ,BA BC,BE ,BG	2
150	315T3633-112		..BRACKET ASSY	B,C,G ,K,S, U,W,X ,AA,A B,AE AF,AN ,AQ,A S,AU, AW,AY ,BA BC,BE ,BG	1
155	BACB28AP04P022		..BUSHING	B,C,F ,G,K, L,P,Q ,S-AH AN-BH	1
160	BACB28AP06P022		..BUSHING	B,C,F ,G,K, L,P,Q ,S-AH AN-BH	1

71-11-33

ILLUSTRATED PARTS LIST

01.1 Page 1064K

Jul 01/04

FIG. & ITEM	PART NO.	AIRLINE PART NUMBER	NOMENCLATURE 1234567	EFF CODE	QTY PER ASSY
11-165	HL1012AZ6-6		..BOLT- (V97928) (SPEC BACB30NX6K6) (OPT HL12VAZ6-6 (V73197)) (OPT HL12VAZ6-6 (V92215)) (OPT HL12VAZ6-6 (V97928)) (OPT L802-6K6 (V06725)) (OPT HL12VAZ6-6 (V56878)) (OPT HL1012AZ6-6 (V0PTK6)) (OPT HL1012AZ6-6 (V06725)) (OPT HL1012AZ6-6 (V06950)) (OPT HL1012AZ6-6 (V17446)) (OPT HL1012AZ6-6 (V56878)) (OPT HL1012AZ6-6 (V60516)) (OPT HL1012AZ6-6 (V73197))	B,C,F ,G,K, L,P,Q ,S-AH AN-BH	2
170	NAS43DD3-8		..SPACER	B,C,F ,G,K, L,P,Q ,S-AH AN-BH	2
175	BACW10P69S		..WASHER	B,C,F ,G,K, L,P,Q ,S-AH AN-BH	2

71-11-33

 ILLUSTRATED PARTS LIST
 01.1 Page 1064L
 Jul 01/04

BOEING
 COMPONENT
 MAINTENANCE MANUAL

FIG. & ITEM	PART NO.	AIRLINE PART NUMBER	NOMENCLATURE 1234567	EFF CODE	QTY PER ASSY
11-180	HL1187DUW6		..COLLAR- (V5M902) (SPEC BACC30X6SW) (OPT HL87DUW6 (V73197)) (OPT HL87DUW6 (V92215)) (OPT HL1187DUW6 (V56878)) (OPT HL1187DUW6 (V92215)) (OPT HL87DUW6 (V56878)) (OPT HL1187DUW6 (V73197))	B,C,F ,G,K, L,P,Q ,S-AH AN-BH	2
185	315T3730-3		..BRACKET	B,C,G ,K,S, U,W,X ,AA,A B,AE AF,AN ,AQ,A S,AU, AW,AY ,BA BC,BE ,BG	1
-190	315T3730-4		..BRACKET	F,L,P ,Q,T, V,Y,Z ,AC,A D,AG AH,AP ,AR,A T,AV, AX,AZ ,BB BD,BF ,BH	1

71-11-33

ILLUSTRATED PARTS LIST
 01.1 Page 1064M
 Jul 01/04

FIG. & ITEM	PART NO.	AIRLINE PART NUMBER	NOMENCLATURE 1234567	EFF CODE	QTY PER ASSY
11-195	315T3633-113		.BRACKET ASSY	B,C,G ,K,S, U,W,X ,AA,A B,AE AF,AN ,AQ,A S,AU, AW,AY ,BA BC,BE ,BG	1
-200	315T3633-114		.BRACKET ASSY	F,L,P ,Q,T, V,Y,Z ,AC,A D,AG AH,AP ,AR,A T,AV, AX,AZ ,BB BD,BF ,BH	1
205	HL10VAZ6-12		ATTACHING PARTS .BOLT- (V60516) (SPEC BACB30MY6K12) (OPT B30MY6K12 (V97928))	B,C,F ,G,K, L,P,Q ,S-AH AN-BH	2

71-11-33

ILLUSTRATED PARTS LIST

01.1 Page 1064N

Jul 01/04


BOEING
 COMPONENT
 MAINTENANCE MANUAL

FIG. & ITEM	PART NO.	AIRLINE PART NUMBER	NOMENCLATURE 1234567	EFF CODE	QTY PER ASSY
11-210	HL79-6		.COLLAR- (V5M902) (SPEC BACC30M6) (OPT HL79-6 (V73197)) (OPT HL79-6 (V92215)) (OPT 66014-6 (V56878)) (OPT HL79-6 (V56878))	B,C,F ,G,K, L,P,Q ,S-AH AN-BH	2
215	HL1012AZ6-12		.BOLT- (V97928) (SPEC BACB30NX6K12) (OPT L802-6K12 (V06725)) (OPT HL12VAZ6-12 (V73197)) (OPT HL12VAZ6-12 (V92215)) (OPT HL12VAZ6-12 (V97928)) (OPT HL12VAZ6-12 (V56878)) (OPT HL1012AZ6-12 (V0PTK6)) (OPT HL1012AZ6-12 (V06725)) (OPT HL1012AZ6-12 (V06950)) (OPT HL1012AZ6-12 (V17446)) (OPT HL1012AZ6-12 (V56878)) (OPT HL1012AZ6-12 (V60516)) (OPT HL1012AZ6-12 (V73197))	B,C,F ,G,K, L,P,Q ,S-AH AN-BH	2

71-11-33

ILLUSTRATED PARTS LIST

01.1 Page 10640

Jul 01/04

FIG. & ITEM	PART NO.	AIRLINE PART NUMBER	NOMENCLATURE 1234567	EFF CODE	QTY PER ASSY
11-220	HL1187DU6		.COLLAR- (V5M902) (SPEC BACC30X6S) (OPT HL87DU6 (V73197)) (OPT HL87DU6 (V92215)) (OPT HL1187DU6 (V56878)) (OPT HL1187DU6 (V92215)) (OPT HL87DU6 (V56878)) (OPT HL1187DU6 (V73197)) (OPT ITEM 220A)	B,C,F ,G,K, L,P,Q ,S-AH AN-BH	2
-220A	HL1187-6		.COLLAR- (V5M902) (SPEC BACC30X6) (OPT HL87-6 (V73197)) (OPT HL87-6 (V92215)) (OPT HL1187-6 (V56878)) (OPT HL1187-6 (V92215)) (OPT HL87-6 (V56878)) (OPT HL1187-6 (V73197)) (OPT ITEM 220)	B,C,F ,G,K, L,P,Q ,S-AH AN-BH	2

71-11-33

 ILLUSTRATED PARTS LIST
 01.1 Page 1064P
 Jul 01/04

BOEING
 COMPONENT
 MAINTENANCE MANUAL

FIG. & ITEM	PART NO.	AIRLINE PART NUMBER	NOMENCLATURE 1234567	EFF CODE	QTY PER ASSY
11-225	BACR15FT6KE		.RIVET- (SIZE DETERMINE ON INST)	B,C,F ,G,K, L,P,Q ,S-AH AN-BH	18
230	315T3202-43		.FILLER-RADIUS	B,C,F ,G,K, L,P,Q ,S-AH AN-BH	4
235	315T3202-44		.FILLER-RADIUS -----*-----	B,C,F ,G,K, L,P,Q ,S-AH AN-BH	4
240	BACR15CE5KE		..RIVET- (SIZE DETERMINE ON INST)	B,C,F ,G,K, L,P,Q ,S-AH AN-BH	1
245	BACR15BB5AD		..RIVET- (SIZE DETERMINE ON INST)	B,C,F ,G,K, L,P,Q ,S-AH AN-BH	1
250	BACR15BB6AD		..RIVET- (SIZE DETERMINE ON INST)	B,C,F ,G,K, L,P,Q ,S-AH AN-BH	1

71-11-33

ILLUSTRATED PARTS LIST
 01.1 Page 1064Q
 Jul 01/04

FIG. & ITEM	PART NO.	AIRLINE PART NUMBER	NOMENCLATURE 1234567	EFF CODE	QTY PER ASSY
11-255	315T3633-98		..STIFFENER ASSY	B,C,F ,G,K, L,P,Q ,S-AH AN-BH	1
260	BACR15BA3AD		...RIVET- (SIZE DETERMINE ON INST)	B,C,F ,G,K, L,P,Q ,S-AH AN-BH	4
265	BRF200C3M		...NUTPLATE- (V52828) (SPEC BACN10JR3CFM) (OPT F5001-3BAC (V15653)) (OPT NS103203SE02 (V80539)) (OPT T8092C1032 (V11815)) (OPT VN152D1-02 (V92215)) (OPT 109F9201-3 (V72962))	B,C,F ,G,K, L,P,Q ,S-AH AN-BH	2
270	315T3633-99		...STIFFENER	B,C,F ,G,K, L,P,Q ,S-AH AN-BH	1

71-11-33

 ILLUSTRATED PARTS LIST
 01.1 Page 1064R
 Jul 01/04


BOEING
 COMPONENT
 MAINTENANCE MANUAL

FIG. & ITEM	PART NO.	AIRLINE PART NUMBER	NOMENCLATURE 1234567	EFF CODE	QTY PER ASSY
11-275	315T3206-19		.FITTING ASSY-V GROOVE (OPT ITEM 275A)	B,C,G ,K,S, U,W,X ,AA,A B,AE AF,AN ,AQ,A S,AU, AW,AY ,BA BC,BE ,BG	1
-275A	315T3206-29		.FITTING ASSY-V GROOVE (OPT ITEM 275)	B,C,G ,K,S, U,W,X ,AA,A B,AE AF,AN ,AQ,A S,AU, AW,AY ,BA BC,BE ,BG	1
-280	315T3206-30		.FITTING ASSY-V GROOVE	F,L,P ,Q,T, V,Y,Z ,AC,A D,AG AH,AP ,AR,A T,AV, AX,AZ ,BB BD,BF ,BH	1

71-11-33

ILLUSTRATED PARTS LIST

01.1 Page 1064S

Jul 01/04

FIG. & ITEM	PART NO.	AIRLINE PART NUMBER	NOMENCLATURE 1234567	EFF CODE	QTY PER ASSY
11-285	BACR15CE3D		..RIVET- (SIZE DETERMINE ON INST)	B,C,F ,G,K, L,P,Q ,S-AH AN-BH	24
290	NS103191SE02-2		..NUTPLATE- (V80539) (SPEC BACN10KE3B2CM) (OPT F51747-3-2DL (V15653)) (OPT 104F9213-2-3 (V72962)) (OPT 104F9213-2-3 (V72962))	B,C,F ,G,K, L,P,Q ,S-AH AN-BH	12
295	315T3206-21		..FITTING- (USED ON ITEM 275)	B,C,G ,K,S, U,W,X ,AA,A B,AE AF,AN ,AQ,A S,AU, AW,AY ,BA BC,BE ,BG	1
-295A	315T3206-27		..FITTING- (USED ON ITEM 275A)	B,C,G ,K,S, U,W,X ,AA,A B,AE AF,AN ,AQ,A S,AU, AW,AY ,BA BC,BE ,BG	1

71-11-33

ILLUSTRATED PARTS LIST

01.1 Page 1064T

Jul 01/04

BOEING
 COMPONENT
 MAINTENANCE MANUAL

FIG. & ITEM	PART NO.	AIRLINE PART NUMBER	NOMENCLATURE	EFF CODE	QTY PER ASSY
11-300	315T3206-28		1234567 ..FITTING	F,L,P ,Q,T, V,Y,Z ,AC,A D,AG AH,AP ,AR,A T,AV, AX,AZ ,BB BD,BF ,BH	1
305	315T3704-1		.BRACKET ASSY	B,C,F ,G,K, L,P,Q ,S-AH AN-BH	1
310	NAS1398CW6-5		ATTACHING PARTS .RIVET	B,C,F ,G,K, L,P,Q ,S-AH AN-BH	2
315	BACR15BA3AD2		-----*----- ..RIVET	B,C,F ,G,K, L,P,Q ,S-AH AN-BH	4
320	BR1000A3		..NUTPLATE- (V52828) (SPEC BACN10KB3) (OPT K2000-3 (V15653)) (OPT RMA9207-3 (V72962)) (OPT T8109S1032 (V11815)) (OPT VN101A1-02 (V92215)) (OPT K2000-3 (V15653))	B,C,F ,G,K, L,P,Q ,S-AH AN-BH	2

71-11-33

ILLUSTRATED PARTS LIST
 01.1 Page 1064U
 Jul 01/04

FIG. & ITEM	PART NO.	AIRLINE PART NUMBER	NOMENCLATURE 1234567	EFF CODE	QTY PER ASSY
11-325	315T3704-2		. . BRACKET	B, C, F , G, K, L, P, Q , S-AH AN-BH	1
330	315T3202-104		. SEAL	B, C, G , K, S, U, W, X , AA, A B, AE AF, AN , AQ, A S, AU, AW, AY , BA BC, BE , BG	1
335	315T3202-100		. SEAL	B, C, F , G, K, L, P, Q , S-AH AN-BH	1
345	HL10VAZ5-3		. BOLT- (V60516) (SPEC BACB30MY5K3) (OPT B30MY5K3 (V97928))	B, C, F , G, K, L, P, Q , S-AH AN-BH	175
350	HL10VAZ5-3		. BOLT- (V60516) (SPEC BACB30MY5K3) (OPT B30MY5K3 (V97928))	B, C, G , K, S, U, W, X , AA, A B, AE AF, AN , AQ, A S, AU, AW, AY , BA BC, BE , BG	5

71-11-33

 ILLUSTRATED PARTS LIST
 01.1 Page 1064V
 Jul 01/04

BOEING
 COMPONENT
 MAINTENANCE MANUAL

FIG. & ITEM	PART NO.	AIRLINE PART NUMBER	NOMENCLATURE	EFF CODE	QTY PER ASSY
11-355	HL10VAZ5-4		.BOLT- (V60516) (SPEC BACB30MY5K4) (OPT B30MY5K4 (V97928))	F,L,P ,Q,T, V,Y,Z ,AC,A D,AG AH,AP ,AR,A T,AV, AX,AZ ,BB BD,BF ,BH B,C,F ,G,K, L,P,Q ,S-AH AN-BH	5
360	HL70-5		.COLLAR- (V5M902) (SPEC BACC30M5) (OPT HL70-5 (V73197)) (OPT HL70-5 (V92215)) (OPT 66014-5 (V56878)) (OPT HL70-5 (V56878))		180
365	315T3202-101		.RETAINER-SEAL	B,C,G ,K,S, U,W,X ,AA,A B,AE AF,AN ,AQ,A S,AU, AW,AY ,BA BC,BE ,BG	1

71-11-33

ILLUSTRATED PARTS LIST
 01.1 Page 1064W
 Jul 01/04

FIG. & ITEM	PART NO.	AIRLINE PART NUMBER	NOMENCLATURE 1234567	EFF CODE	QTY PER ASSY
11- -370	315T3202-102		.RETAINER-SEAL	F,L,P ,Q,T, V,Y,Z ,AC,A D,AG AH,AP ,AR,A T,AV, AX,AZ ,BB BD,BF ,BH	1
375	315T3201-28		DELETED		
-380	315T3201-29		DELETED		
			ATTACHING PARTS		
385	BACB30LR3-5		DELETED		
385A	BACB30LH3-5		DELETED		
-385B	BACB30NN3K5		DELETED		
390	315T3637-1		DELETED		
395	AN960C10L		DELETED		
400	H10-3BAC		DELETED		
405	BACB30LR3-6		DELETED		
410	BACR15BA5A		DELETED		
415	315T3201-30		DELETED		
-420	315T3201-31		DELETED		
425	315T3201-25		..STRIP-RUB	B,C,G ,K,S, U,W,X ,AA,A B,AE AF,AN ,AQ,A S,AU, AW,AY ,BA BC,BE ,BG	1

71-11-33

ILLUSTRATED PARTS LIST

01.1 Page 1064X

Jul 01/04

BOEING
 COMPONENT
 MAINTENANCE MANUAL

FIG. & ITEM	PART NO.	AIRLINE PART NUMBER	NOMENCLATURE	EFF CODE	QTY PER ASSY
11-430	315T3201-26		1234567 ..STRIP-RUB	F,L,P ,Q,T, V,Y,Z ,AC,A D,AG AH,AP ,AR,A T,AV, AX,AZ ,BB BD,BF ,BH	1
435	BACB30LR3-6		DELETED		
440	315T3201-7		DELETED		
445	315T3201-10		DELETED		
450	BACR15BB3AD		DELETED		
455	F5000-3BAC		DELETED		
460	BACB30LJ4-3		.BOLT	B,C,F ,G,K, L,P,Q ,S-AH AN-BH	6
465	BACR15BB3AD		DELETED		
465A	BACR15CE3AD		.RIVET- (SIZE DETERMINE ON INST)	B,C,F ,G,K, L,P,Q ,S-AH AN-BH	12
470	BRFM20C4M		.NUTPLATE- (V52828) (SPEC BACN10JN4CM) (OPT MF1001-4BAC (V15653)) (OPT NS103218SE048 (V80539)) (OPT VN252D048 (V92215)) (OPT 109F9201M4 (V72962)) (OPT T8125C4C (V11815)) (OPT T8125C4C (V11815))	B,C,F ,G,K, L,P,Q ,S-AH AN-BH	6

71-11-33

ILLUSTRATED PARTS LIST
 01.1 Page 1064Y
 Jul 01/04

FIG. & ITEM	PART NO.	AIRLINE PART NUMBER	NOMENCLATURE 1234567	EFF CODE	QTY PER ASSY
11-475	BAC27TTR0025		.MARKER-ALUMINUM FOIL-GSE HOIST POINT	B,C,F ,G,K, L,P,Q ,S-AH AN-BH	6
480	BAC27TTR0036		.MARKER-ALUMINUM FOIL	B,C,F ,G,K, L,P,Q ,S-AH AN-BH	1
485	BAC27TTR0042		.MARKER-ALUMINUM FOIL	B,C,F ,G,K, L,P,Q ,S-AH AN-BH	1
490	BAC27TPP0209		.MARKER-ALUMINUM FOIL- GD 4350S	B,C,G ,K,S, U,W,X ,AA,A B,AE AF,AN ,AQ,A S,AU, AW,AY ,BA BC,BE ,BG	1
-495	BAC27TPP0213		.MARKER-ALUMINUM FOIL- GD 4352S	F,L,P ,Q,T, V,Y,Z ,AC,A D,AG AH,AP ,AR,A T,AV, AX,AZ ,BB BD,BF ,BH	1

71-11-33

ILLUSTRATED PARTS LIST

01.1 Page 1064Z

Jul 01/04

BOEING
 COMPONENT
 MAINTENANCE MANUAL

FIG. & ITEM	PART NO.	AIRLINE PART NUMBER	NOMENCLATURE 1234567	EFF CODE	QTY PER ASSY
11-500	BAC27TPP0210		.MARKER-ALUMINUM FOIL-GD 4346S	B,C,G ,K,S, U,W,X ,AA,A B,AE AF,AN ,AQ,A S,AU, AW,AY ,BA BC,BE ,BG	1
-505	BAC27TPP0214		.MARKER-ALUMINUM FOIL-GD 4348S	F,L,P ,Q,T, V,Y,Z ,AC,A D,AG AH,AP ,AR,A T,AV, AX,AZ ,BB BD,BF ,BH	1
510	BAC27TPP0211		.MARKER-ALUMINUM FOIL-GD 4342S	B,C,G ,K,S, U,W,X ,AA,A B,AE AF,AN ,AQ,A S,AU, AW,AY ,BA BC,BE ,BG	1

71-11-33

ILLUSTRATED PARTS LIST
 01.1 Page 1065
 Jul 01/04

FIG. & ITEM	PART NO.	AIRLINE PART NUMBER	NOMENCLATURE 1234567	EFF CODE	QTY PER ASSY
11-515	BAC27TPP0215		.MARKER-ALUMINUM FOIL- GD 4344S	F,L,P ,Q,T, V,Y,Z ,AC,A D,AG AH,AP ,AR,A T,AV, AX,AZ ,BB BD,BF ,BH	1
520	BAC27TPP0217		.MARKER-ALUMINUM FOIL- GD 4334S	B,C,G ,K,S, U,W,X ,AA,A B,AE AF,AN ,AQ,A S,AU, AW,AY ,BA BC,BE ,BG	1
-525	BAC27TPP0218		.MARKER-ALUMINUM FOIL- GD 4336S	F,L,P ,Q,T, V,Y,Z ,AC,A D,AG AH,AP ,AR,A T,AV, AX,AZ ,BB BD,BF ,BH	1

- Item Not Illustrated

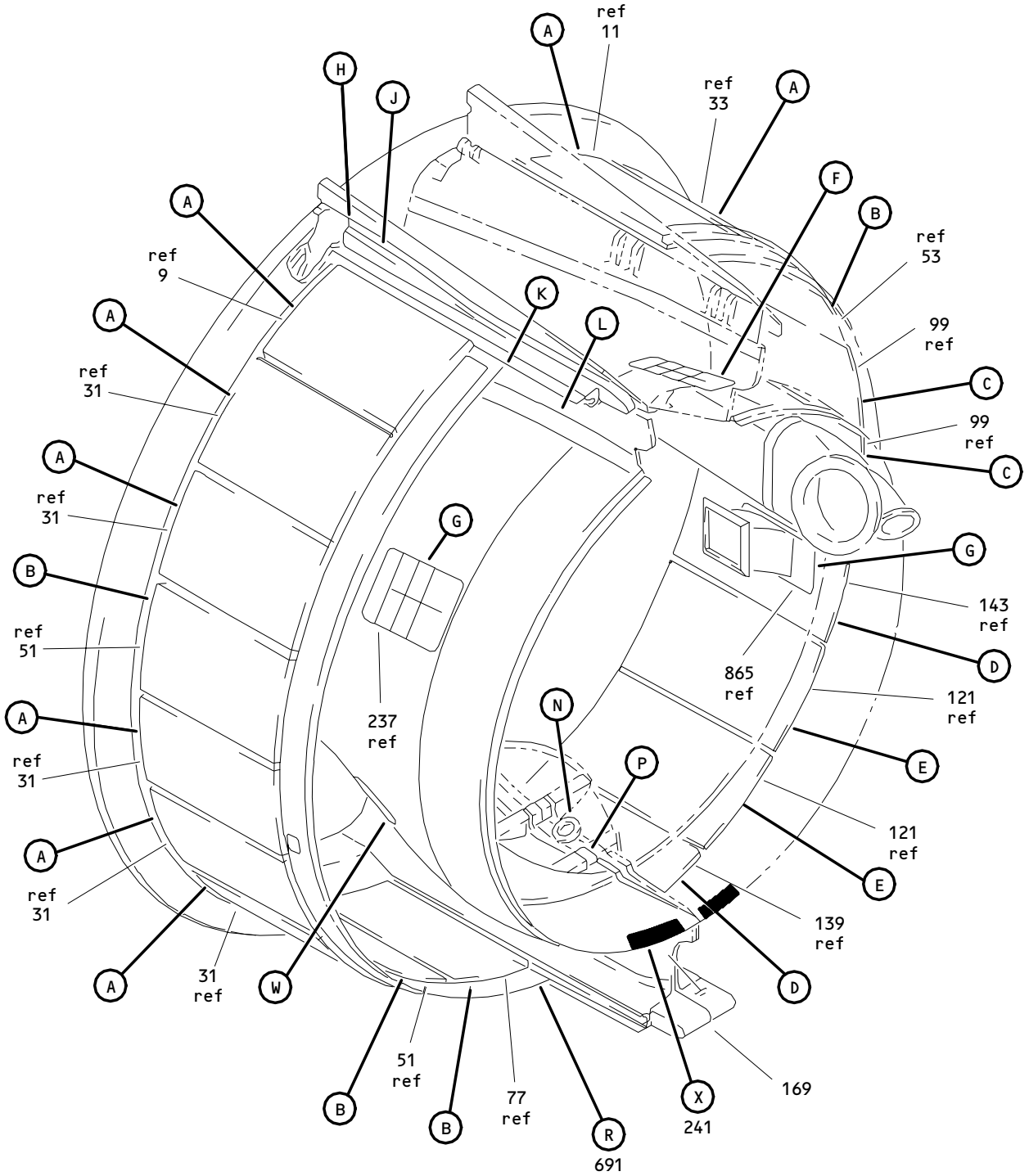
71-11-33

ILLUSTRATED PARTS LIST

01.1

Page 1066

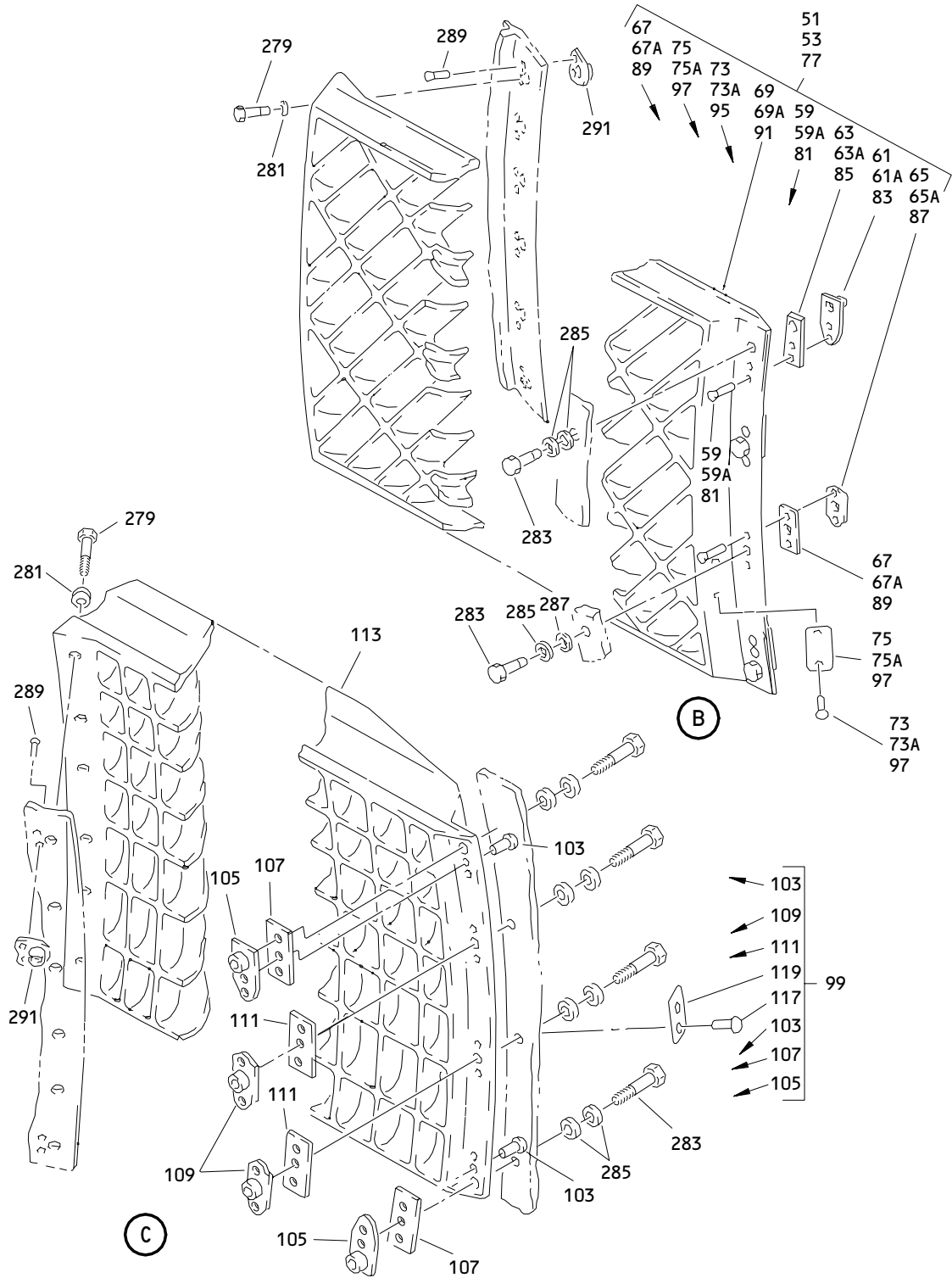
Jul 01/04



Engine Outboard and Inboard Fan Duct Cowling Assembly
Figure 12 (Sheet 1)

71-11-33

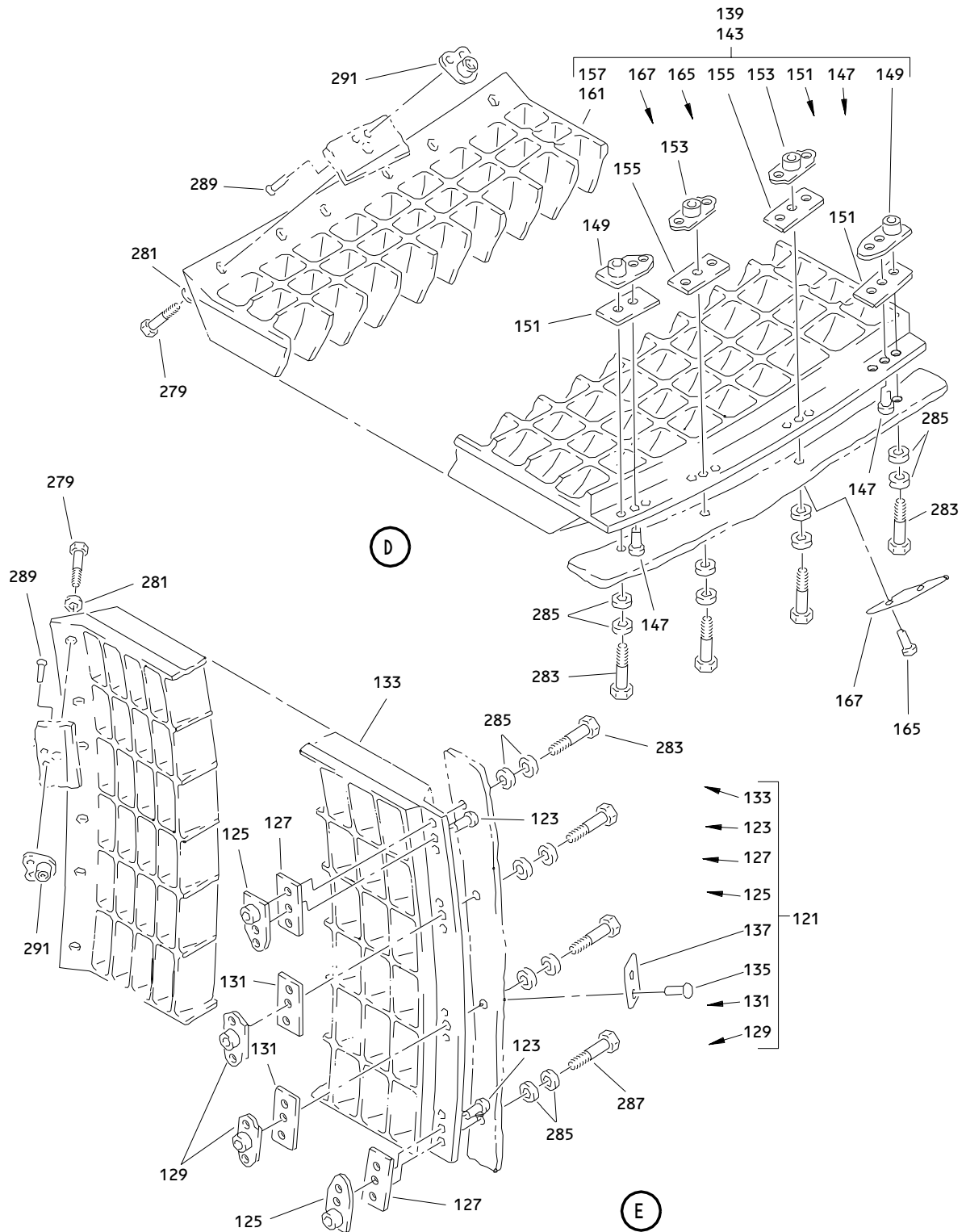
ILLUSTRATED PARTS LIST
01.1 Page 1066A
Jul 01/04



Engine Outboard and Inboard Fan Duct Cowling Assembly
 Figure 12 (Sheet 3)

71-11-33

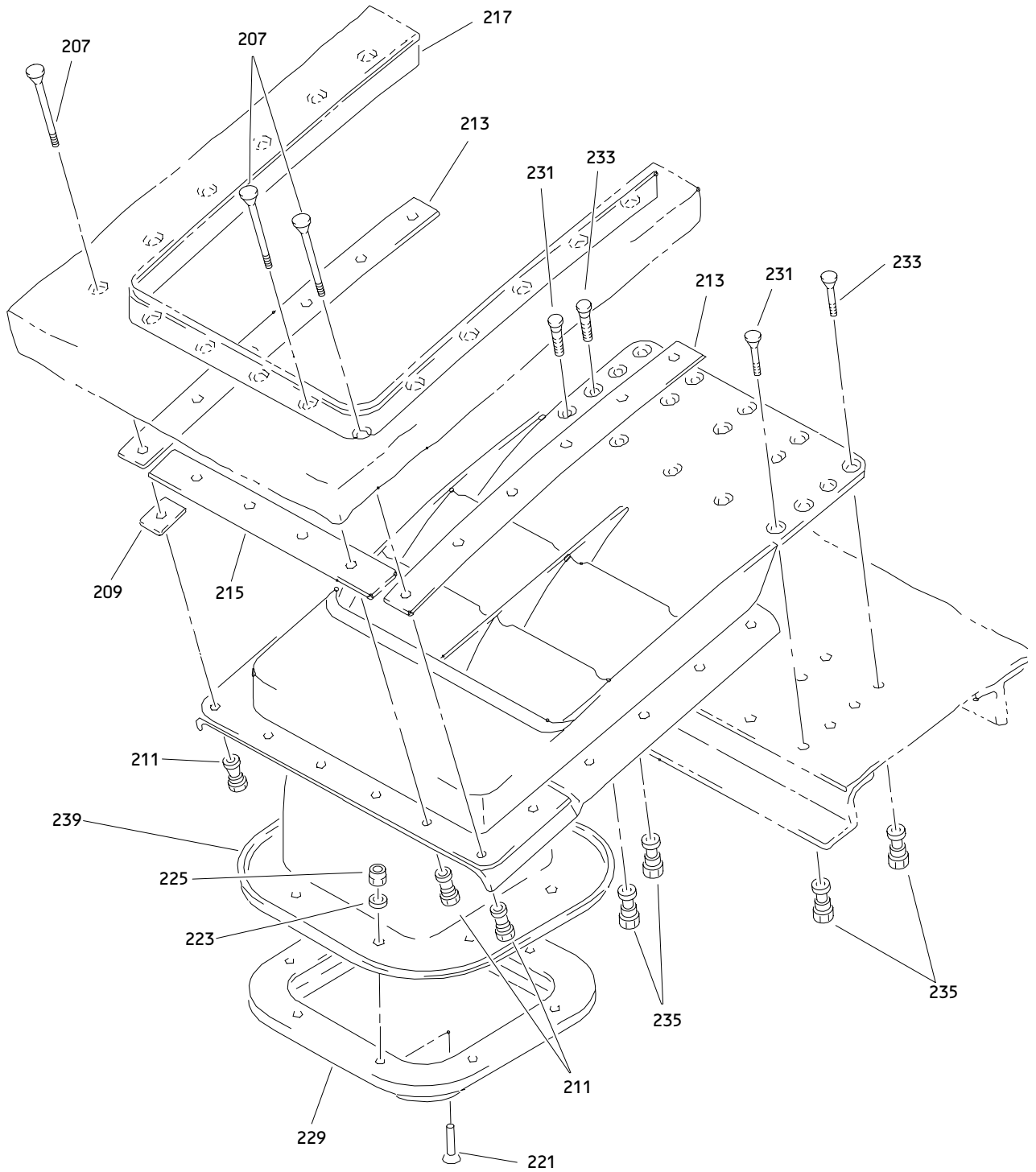
ILLUSTRATED PARTS LIST
 01.1 Page 1066C
 Jul 01/04



Engine Outboard and Inboard Fan Duct Cowling Assembly
 Figure 12 (Sheet 4)

71-11-33

ILLUSTRATED PARTS LIST
 01.1 Page 1066D
 Jul 01/04

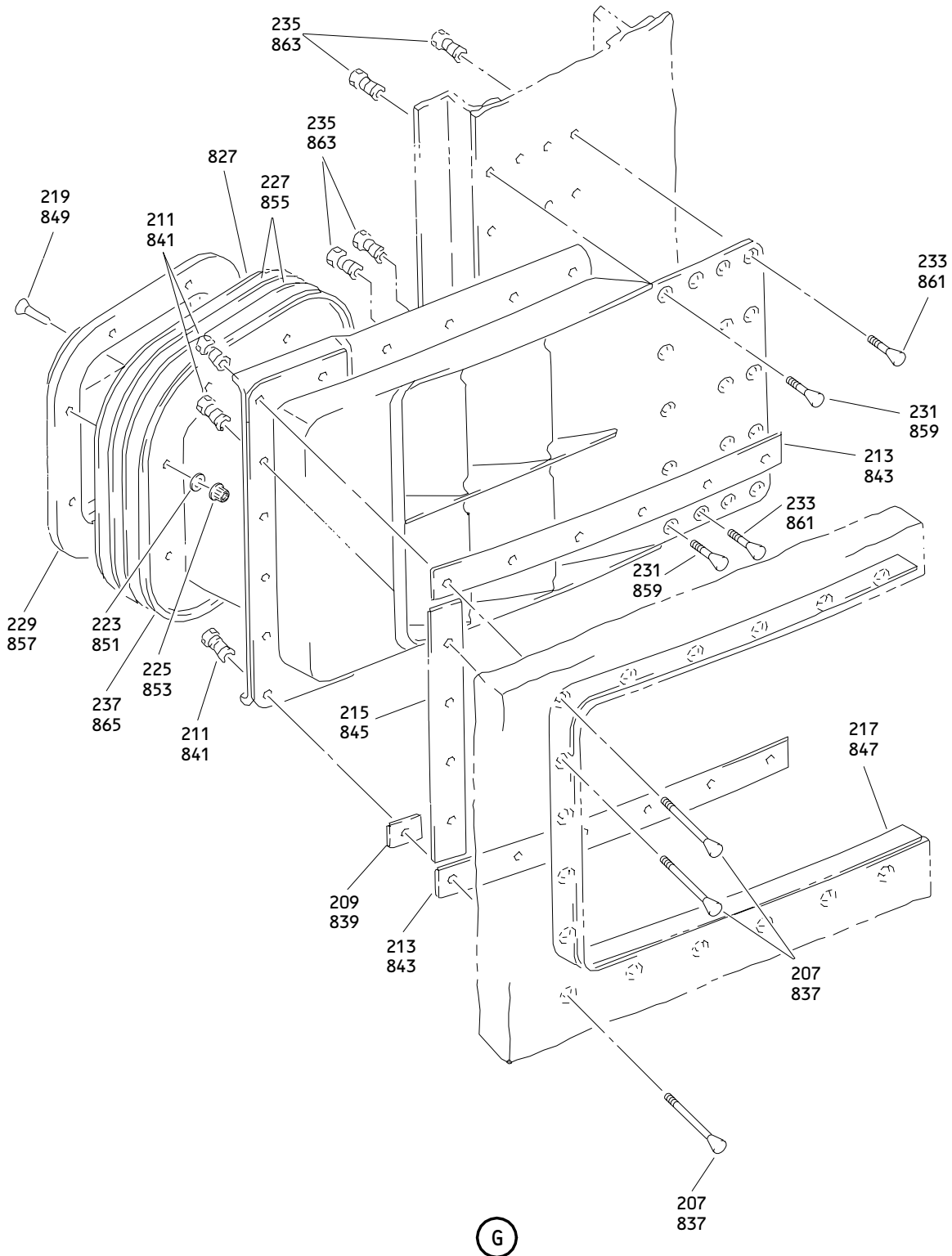


(F)

Engine Outboard and Inboard Fan Duct Cowling Assembly
Figure 12 (Sheet 5)

71-11-33

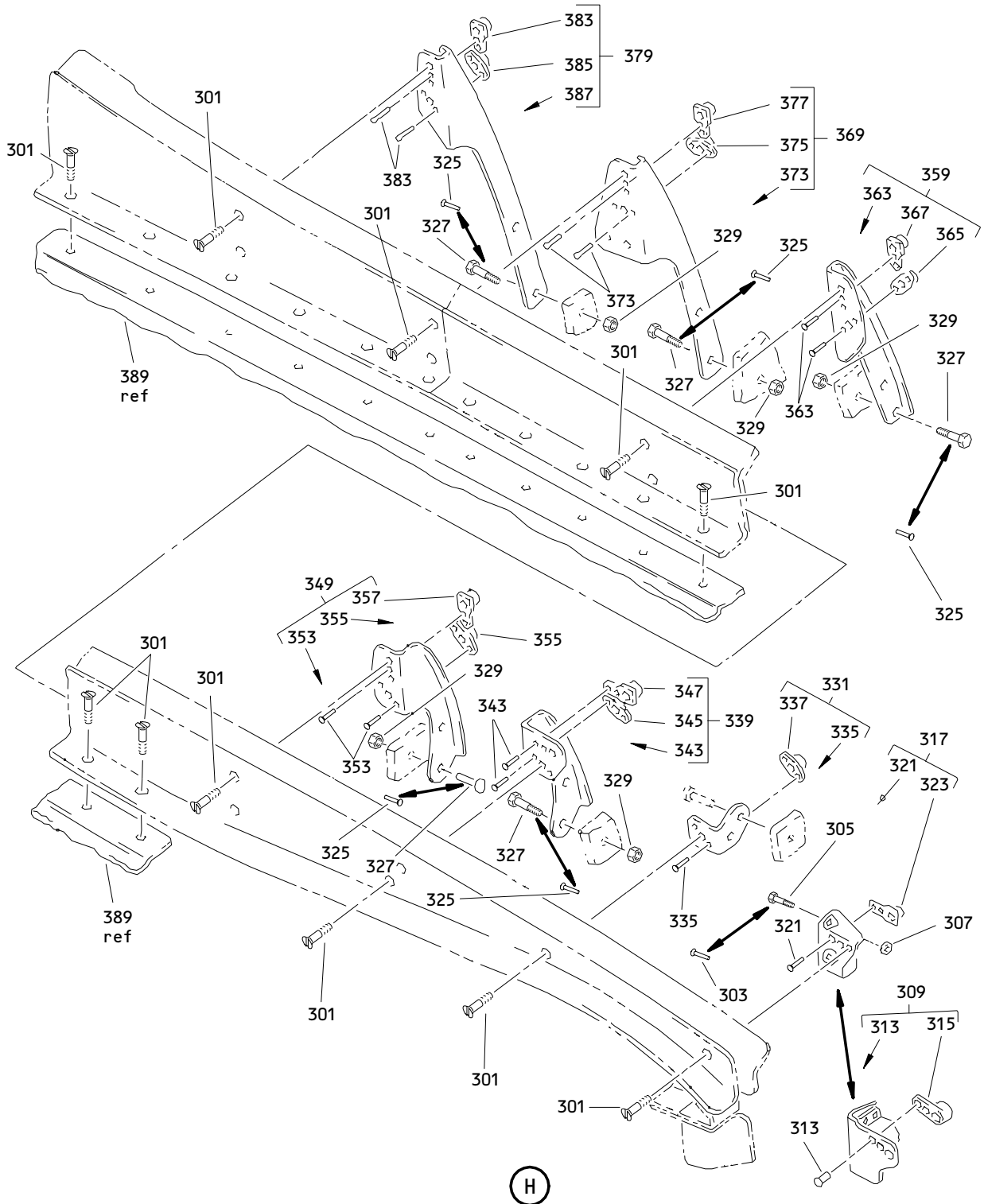
ILLUSTRATED PARTS LIST
01.1 Page 1066E
Jul 01/04



Engine Outboard and Inboard Fan Duct Cowling Assembly
Figure 12 (Sheet 6)

71-11-33

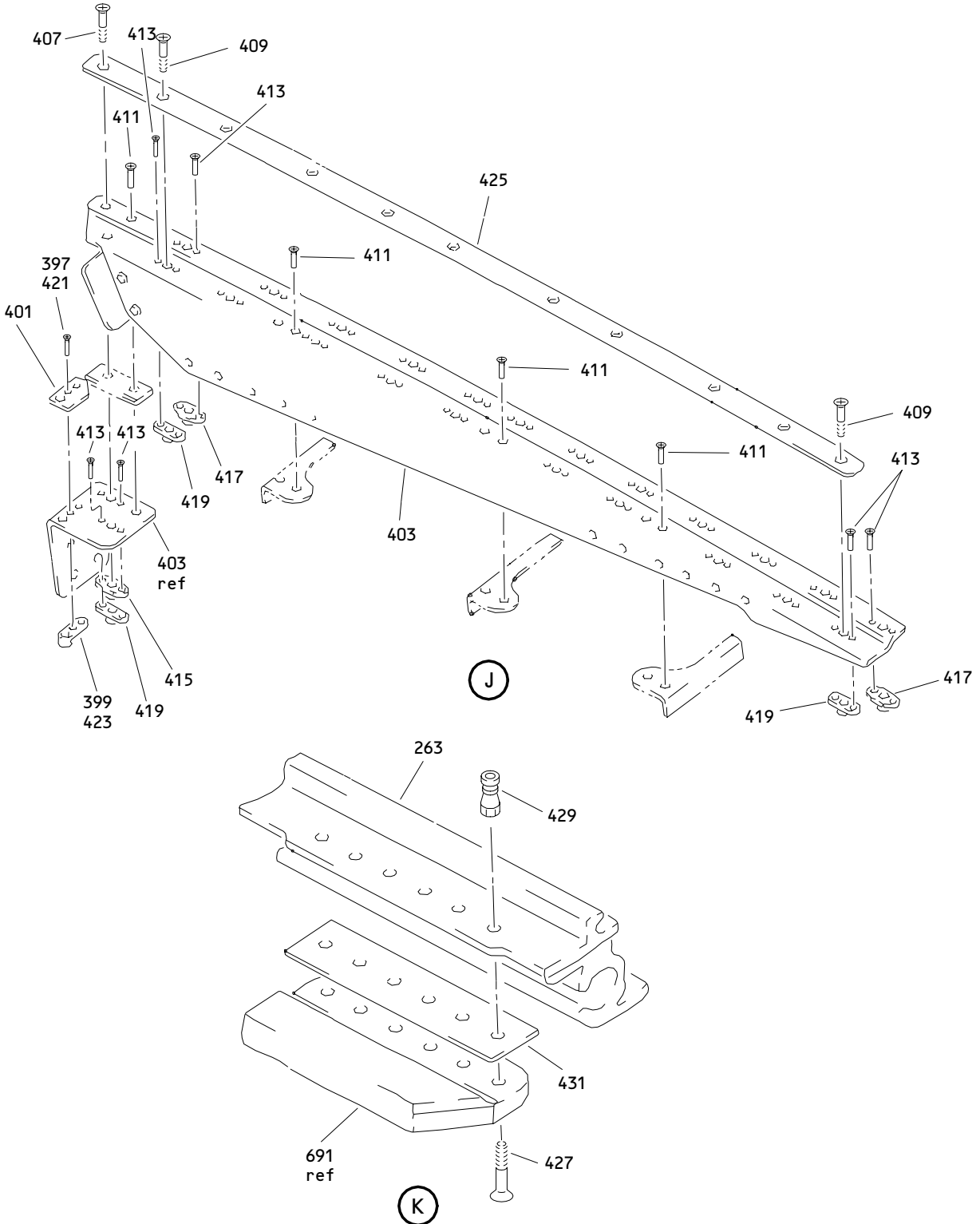
ILLUSTRATED PARTS LIST
01.1 Page 1066F
Jul 01/04



Engine Outboard and Inboard Fan Duct Cowling Assembly
Figure 12 (Sheet 7)

71-11-33

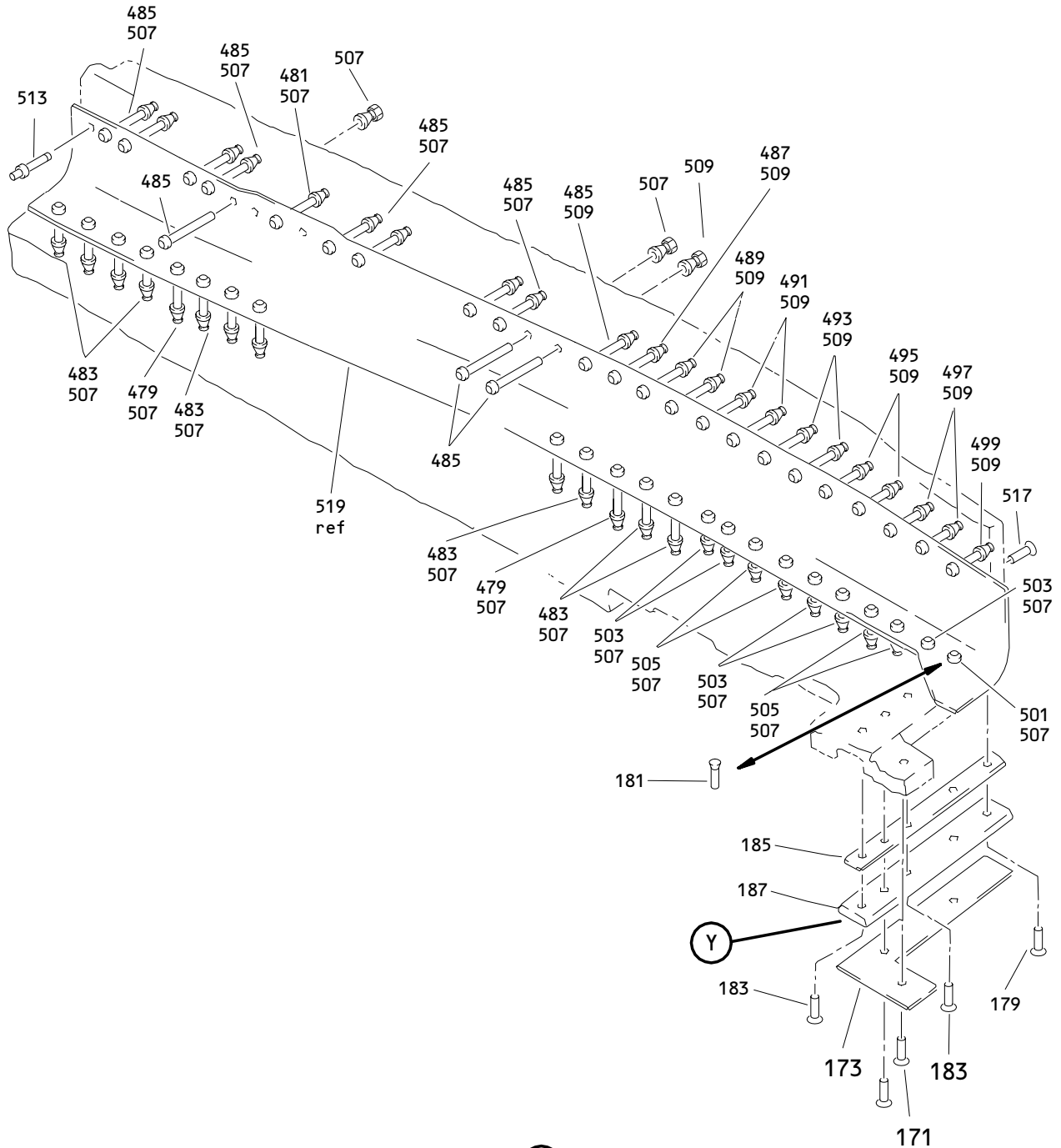
ILLUSTRATED PARTS LIST
01.1 Page 1066G
Jul 01/04



Engine Outboard and Inboard Fan Duct Cowling Assembly
 Figure 12 (Sheet 8)

71-11-33

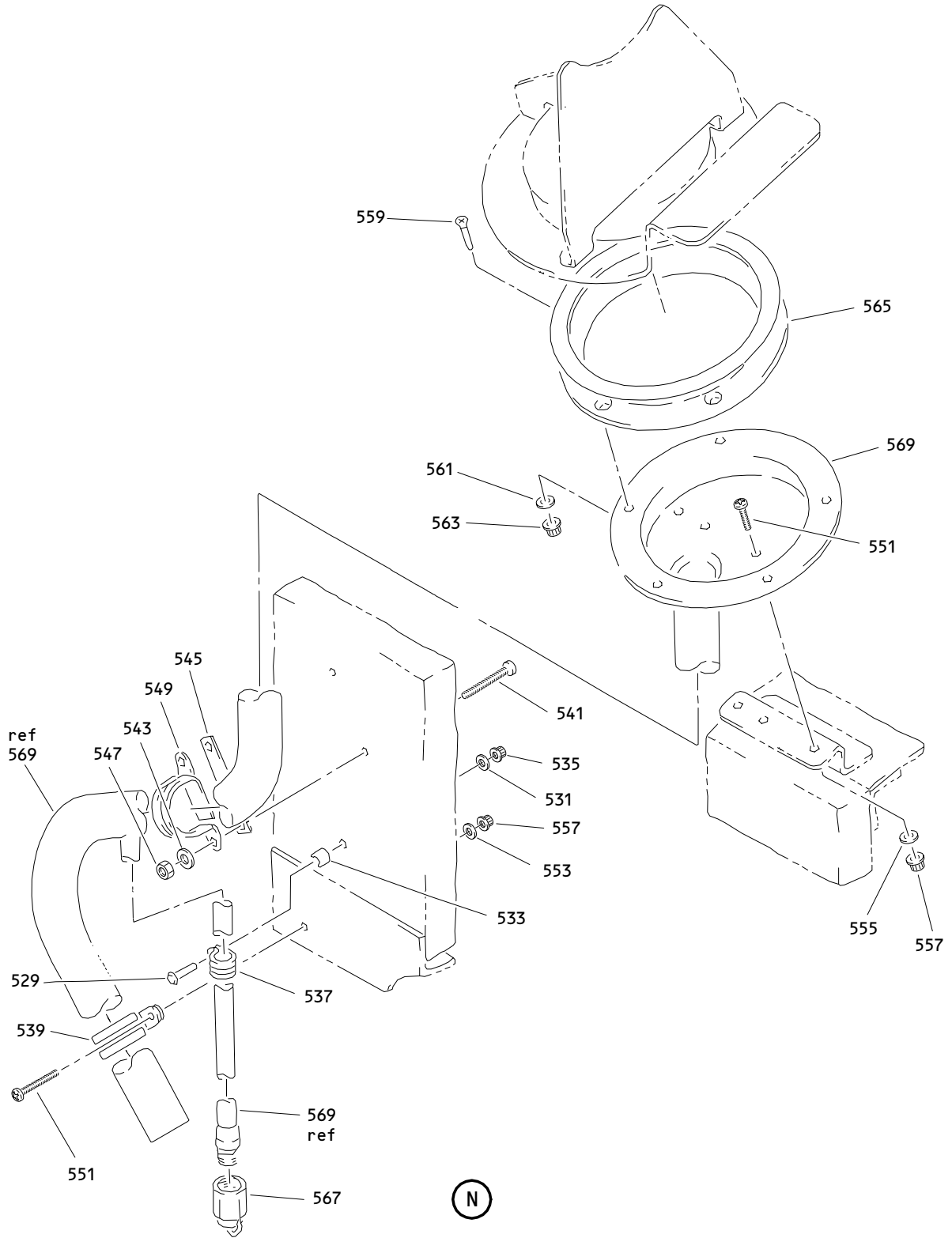
ILLUSTRATED PARTS LIST
 01.1 Page 1066H
 Jul 01/04



Engine Outboard and Inboard Fan Duct Cowling Assembly
 Figure 12 (Sheet 10)

71-11-33

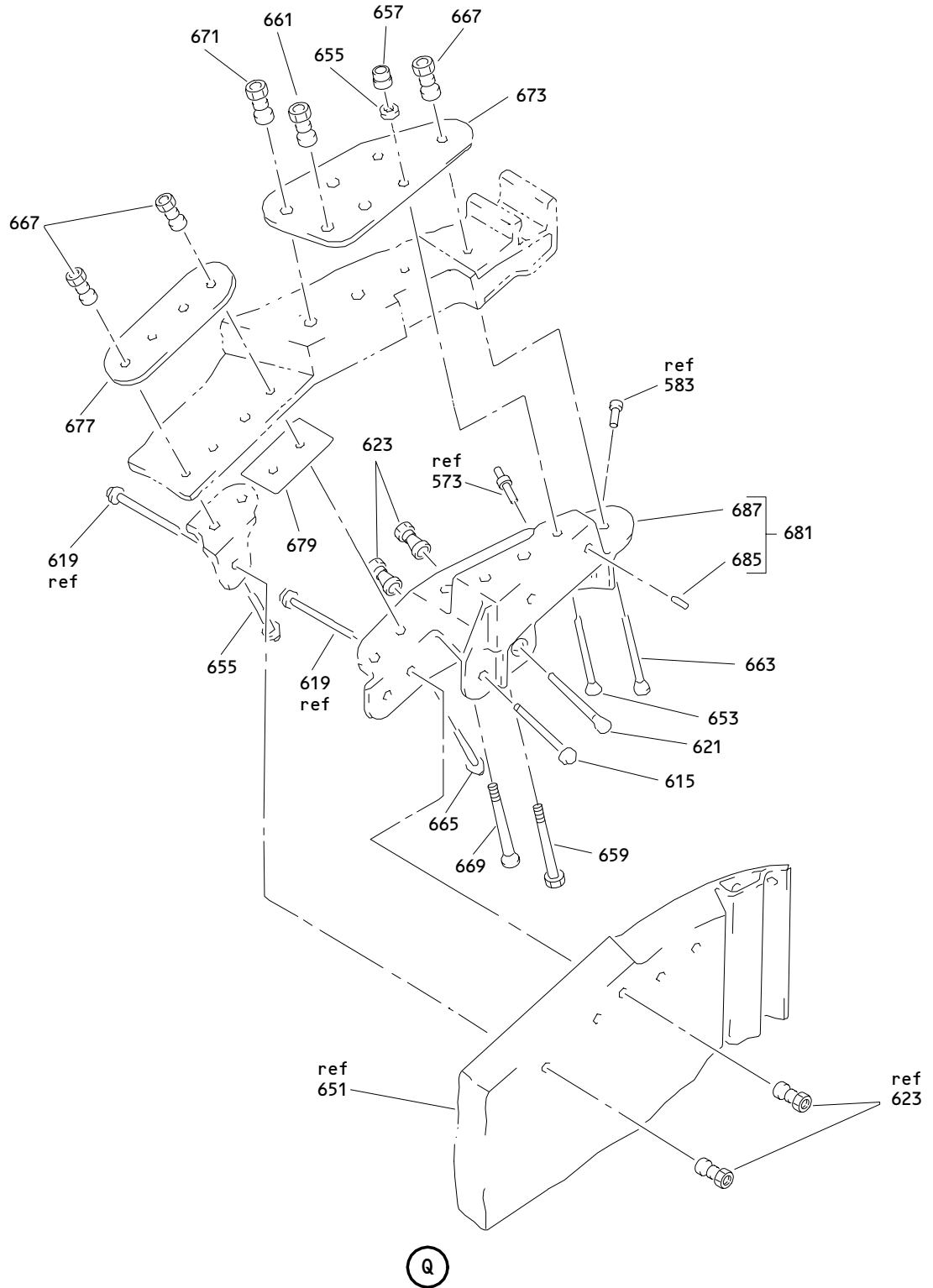
ILLUSTRATED PARTS LIST
 01.1 Page 1066J
 Jul 01/04



Engine Outboard and Inboard Fan Duct Cowling Assembly
Figure 12 (Sheet 11)

71-11-33

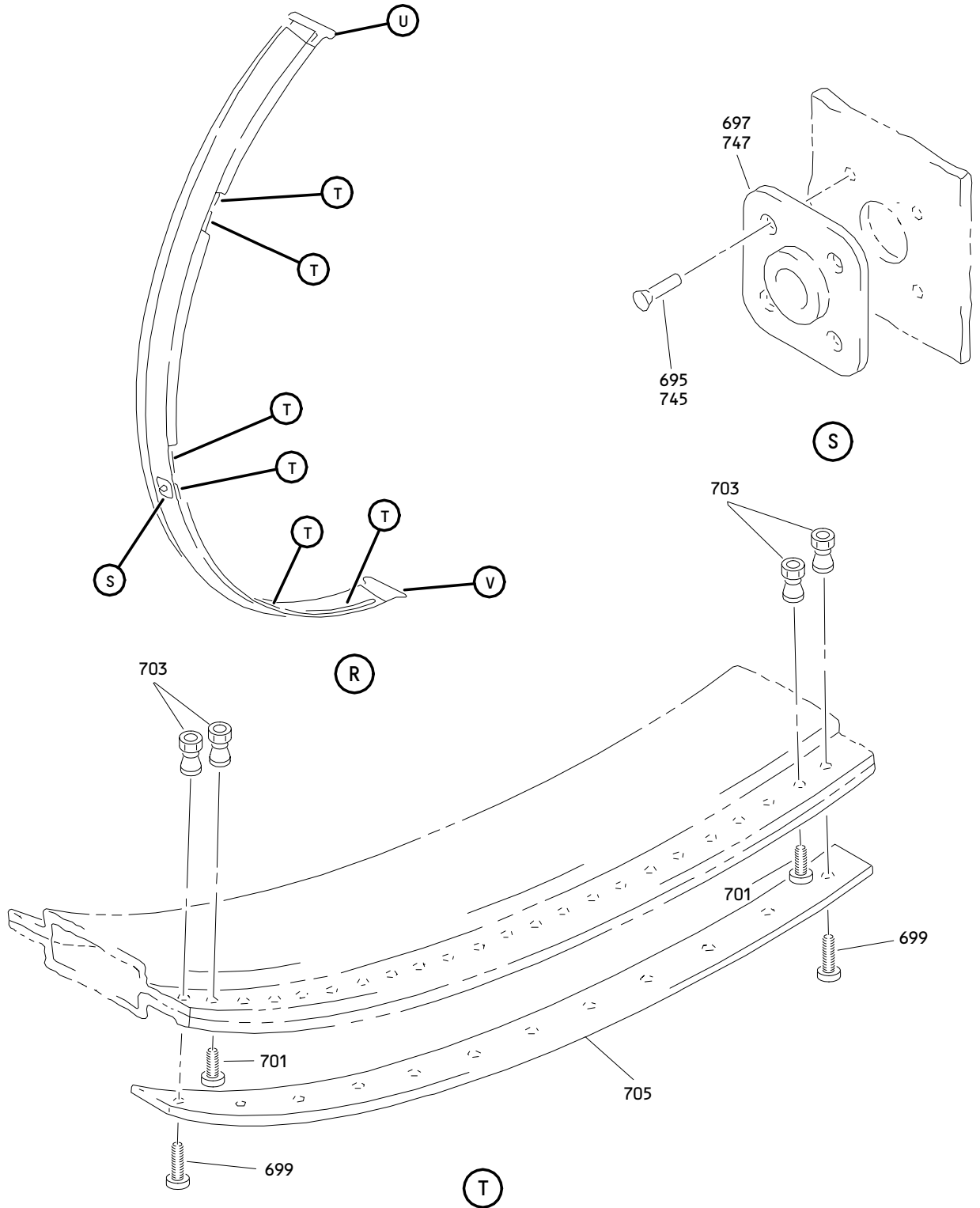
ILLUSTRATED PARTS LIST
01.1 Page 1066K
Jul 01/04



Engine Outboard and Inboard Fan Duct Cowling Assembly
Figure 12 (Sheet 13)

71-11-33

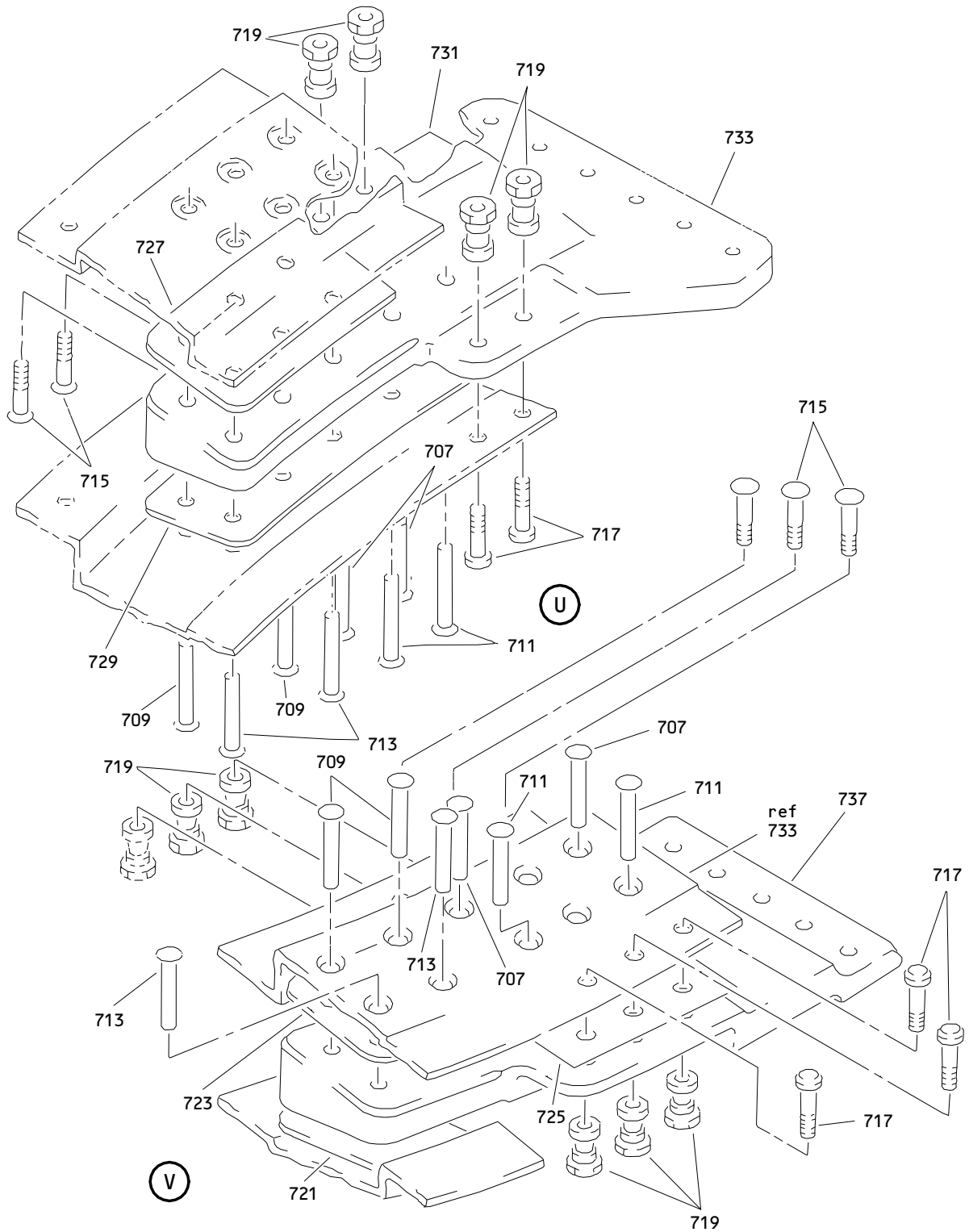
ILLUSTRATED PARTS LIST
01.1 Page 1066M
Jul 01/04



Engine Outboard and Inboard Fan Duct Cowling Assembly
 Figure 12 (Sheet 14)

71-11-33

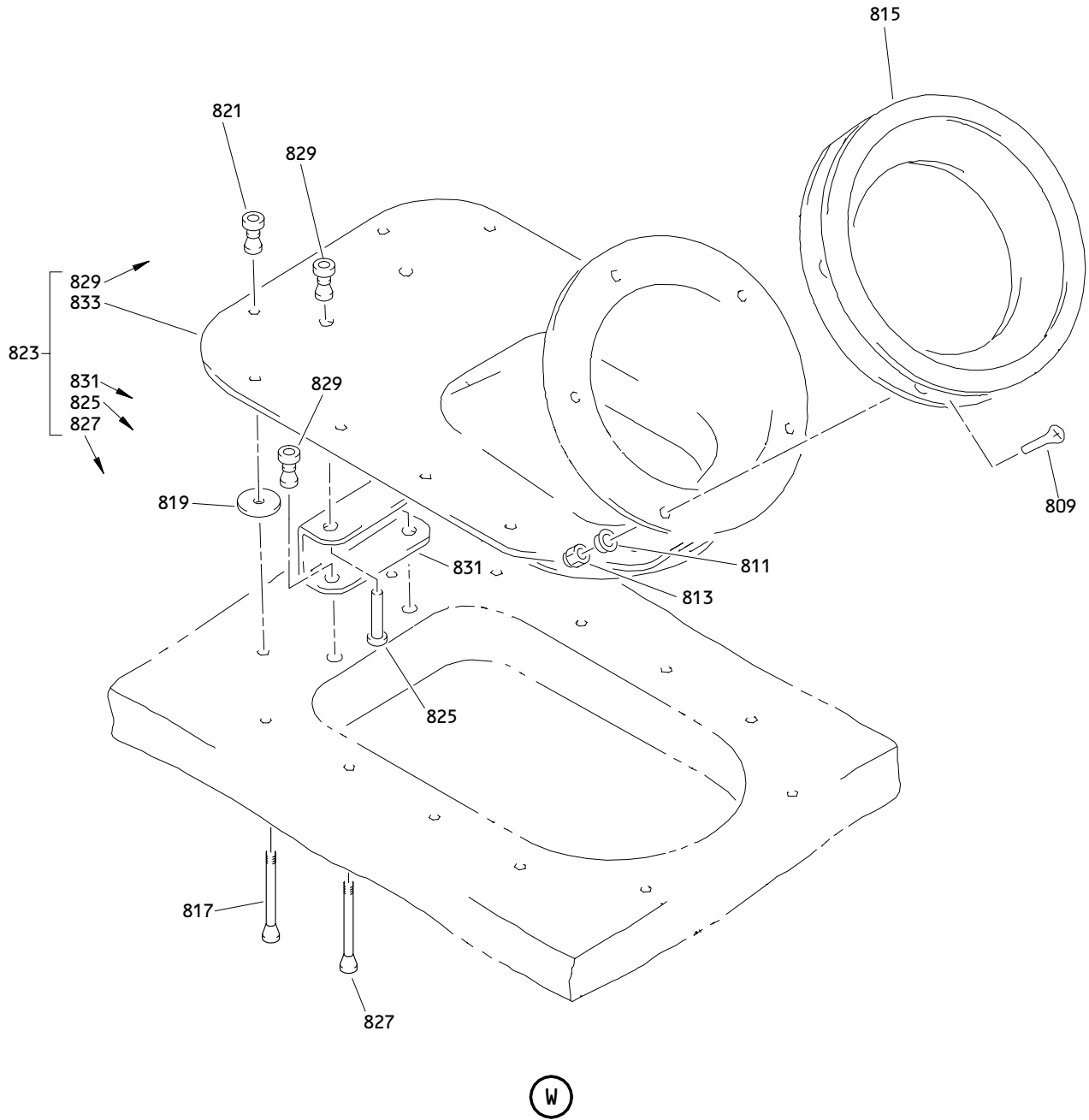
ILLUSTRATED PARTS LIST
 01.1 Page 1066N
 Jul 01/04



Engine Outboard and Inboard Fan Duct Cowling Assembly
 Figure 12 (Sheet 15)

71-11-33

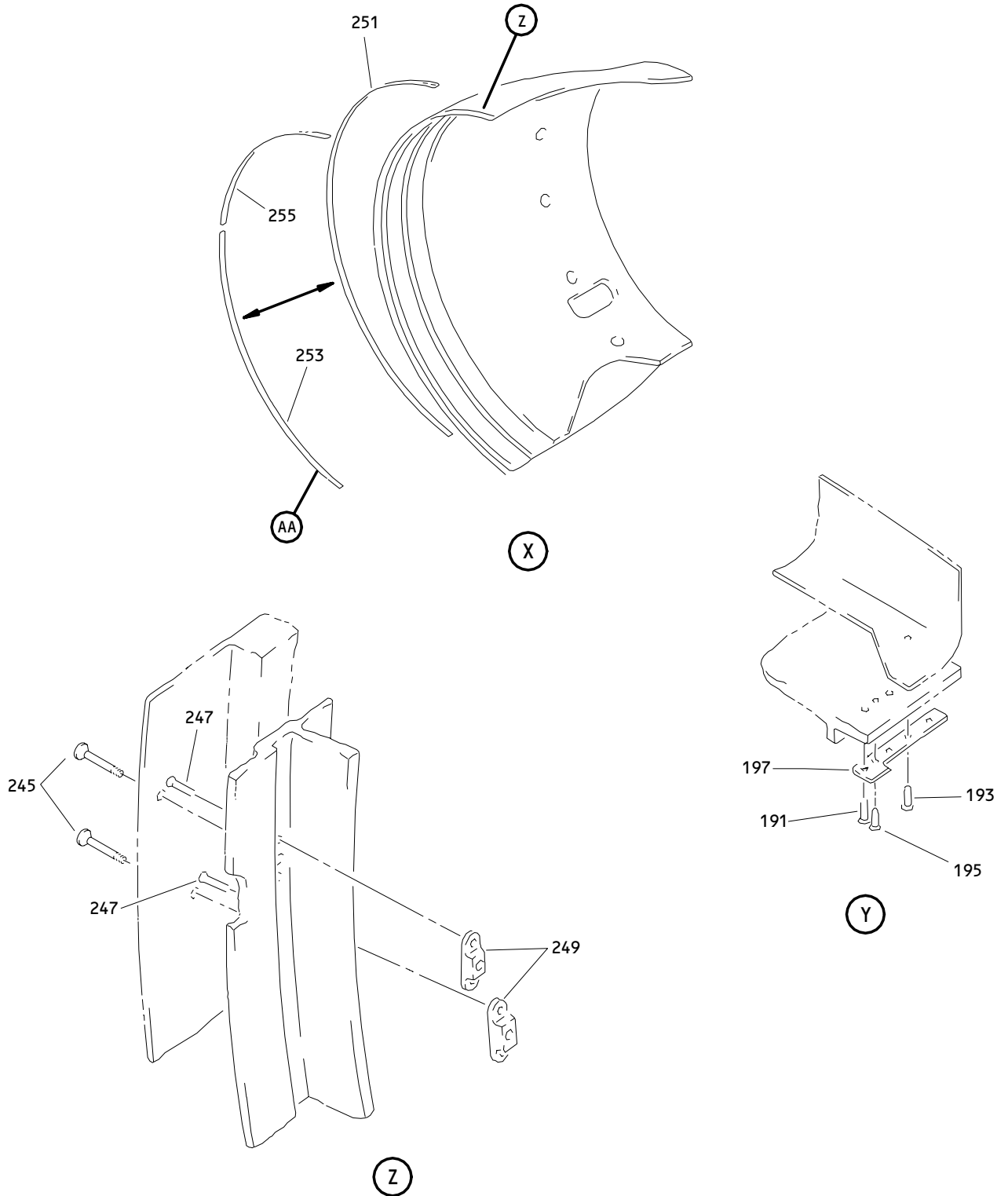
ILLUSTRATED PARTS LIST
 01.1 Page 10660
 Jul 01/04



Engine Outboard and Inboard Fan Duct Cowling Assembly
Figure 12 (Sheet 16)

71-11-33

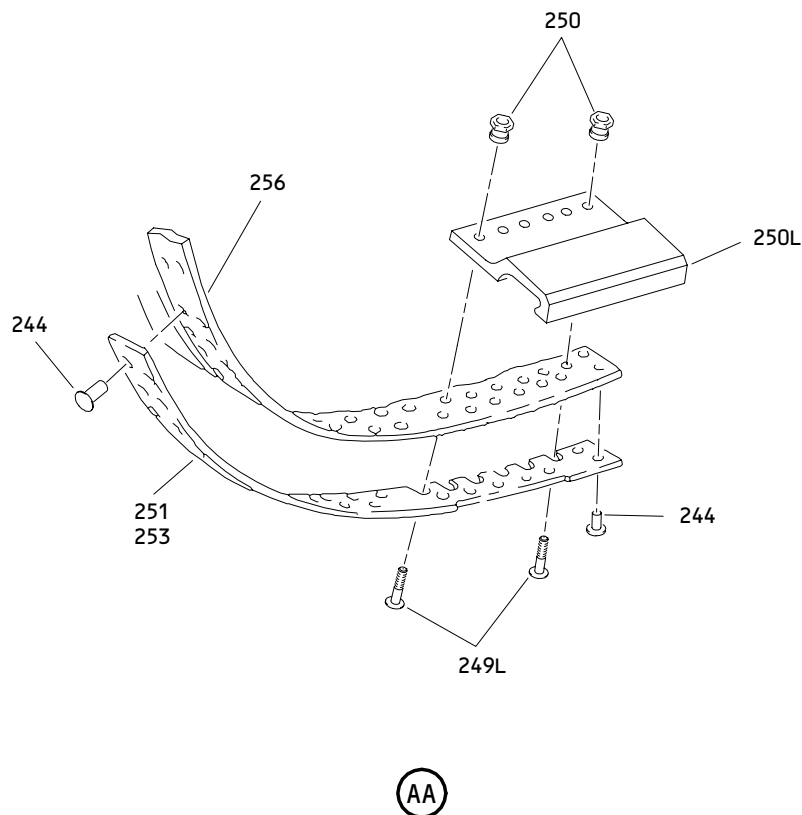
ILLUSTRATED PARTS LIST
01.1 Page 1066P
Jul 01/04



Engine Outboard and Inboard Fan Duct Cowling Assembly
Figure 12 (Sheet 17)

71-11-33

ILLUSTRATED PARTS LIST
01.1 Page 1066Q
Jul 01/04



Engine Outboard and Inboard Fan Duct Cowling Assembly
Figure 12 (Sheet 18)

71-11-33

ILLUSTRATED PARTS LIST
01.1 Page 1066R
Jul 01/04


BOEING
 COMPONENT
 MAINTENANCE MANUAL

FIG. & ITEM	PART NO.	AIRLINE PART NUMBER	NOMENCLATURE 1234567	EFF CODE	QTY PER ASSY
12- -1A	315T3002-143		COWL ASSY-ENG OUTBD SIDE FAN DUCT (LH)	AN	RF
-1B	315T3002-149		COWL ASSY-ENG OUTBD SIDE FAN DUCT (LH)	AS	RF
-1C	315T3002-153		COWL ASSY-ENG OUTBD SIDE FAN DUCT (LH)	AW	RF
-1D	315T3002-157		COWL ASSY-ENG OUTBD SIDE FAN DUCT (LH)	BA	RF
-1E	315T3002-161		COWL ASSY-ENG OUTBD SIDE FAN DUCT (LH)	BE	RF
-3	315T3002-144		COWL ASSY-ENG INBD SIDE FAN DUCT (LH)	AP	RF
-3A	315T3002-150		COWL ASSY-ENG INBD SIDE FAN DUCT (LH)	AT	RF
-3B	315T3002-154		COWL ASSY-ENG INBD SIDE FAN DUCT (LH)	AX	RF
-3C	315T3002-158		COWL ASSY-ENG INBD SIDE FAN DUCT (LH)	BB	RF
-3D	315T3002-162		COWL ASSY-ENG INBD SIDE FAN DUCT (LH)	BF	RF
-5	315T3002-145		COWL ASSY-ENG INBD SIDE FAN DUCT (RH)	AQ	RF
-5A	315T3002-151		COWL ASSY-ENG INBD SIDE FAN DUCT (RH)	AU	RF
-5B	315T3002-155		COWL ASSY-ENG INBD SIDE FAN DUCT (RH)	AY	RF
-5C	315T3002-159		COWL ASSY-ENG INBD SIDE FAN DUCT (RH)	BC	RF
-5D	315T3002-163		COWL ASSY-ENG INBD SIDE FAN DUCT (RH)	BG	RF

71-11-33

 ILLUSTRATED PARTS LIST
 01.1 Page 1066S
 Jul 01/04

FIG. & ITEM	PART NO.	AIRLINE PART NUMBER	NOMENCLATURE 1234567	EFF CODE	QTY PER ASSY
12-7	315T3002-146		COWL ASSY-ENG OUTBD SIDE FAN DUCT (RH)	AR	RF
-7A	315T3002-152		COWL ASSY-ENG OUTBD SIDE FAN DUCT (RH)	AV	RF
-7B	315T3002-156		COWL ASSY-ENG OUTBD SIDE FAN DUCT (RH)	AZ	RF
-7C	315T3002-160		COWL ASSY-ENG OUTBD SIDE FAN DUCT (RH)	BD	RF
-7D	315T3002-164		COWL ASSY-ENG OUTBD SIDE FAN DUCT (RH)	BH	RF
9	315T4210-1		.CASCADE ASSY-RADIAL FLOW	AN,AQ ,AS,A U,AW, AY,BA ,BC BE,BG	1
11	315T4210-2		.CASCADE ASSY-RADIAL FLOW	AP,AR ,AT,A V,AX, AZ,BB ,BD BF,BH	1
13	BACR15CE3B		..RIVET- (SIZE DETERMINE ON INST)	AN-BH	16
15	BRF100C4D		..NUTPLATE- (V52828) (SPEC BACN10KB4CFD) (OPT F51604-4 (V15653)) (OPT 102F9207P4 (V72962)) (OPT F51604-4 (V15653))	AN-BH	4

71-11-33

 ILLUSTRATED PARTS LIST
 01.1 Page 1066T
 Jul 01/04


BOEING
 COMPONENT
 MAINTENANCE MANUAL

FIG. & ITEM	PART NO.	AIRLINE PART NUMBER	NOMENCLATURE 1234567	EFF CODE	QTY PER ASSY
12-17-19	315T4210-10 BRF200C4D		..SPACER-RADIUS FILLER ..NUTPLATE- (V52828) (SPEC BACN10JR4CFD) (OPT K51602-4BAC (V15653)) (OPT NS202476-048 (V80539)) (OPT 102F9201-4 (V72962)) (OPT T8092C428CD (V11815))	AN-BH AN-BH	4 4
21-23	315T4210-9 315T4210-5		..SPACER-RADIUS FILLER ..CASCADE	AN-BH AN,AQ ,AS,A U,AW, AY,BA ,BC BE,BG	4 1
25	315T4210-6		..CASCADE	AP,AR ,AT,A V,AX, AZ,BB ,BD BF,BH	1
27	BACR15BB3B		..RIVET- (SIZE DETERMINE ON INST)	AN-BH	4
29	69B97503-1		..TAG-IDENT (OPT ITEM 29A)	AN-BH	1
-29A	315T4210-11		..TAG-IDENT (OPT ITEM 29)	AN-BH	1
31	315T4210-3		.CASCADE ASSY-RADIAL FLOW	AN,AR ,AS,A V,AW, AZ,BA ,BD BE,BH	5

71-11-33

 ILLUSTRATED PARTS LIST
 01.1 Page 1066U
 Jul 01/04

FIG. & ITEM	PART NO.	AIRLINE PART NUMBER	NOMENCLATURE 1234567	EFF CODE	QTY PER ASSY
12-33	315T4210-3		.CASCADE ASSY-RADIAL FLOW	AP,AQ ,AT,A U,AX, AY,BB ,BC BF,BG	1
35	BACR15CE3B		..RIVET- (SIZE DETERMINE ON INST)	AN,AR ,AS,A V,AW, AZ,BA ,BD BE,BH	8
35A	BACR15CE3B		..RIVET- (SIZE DETERMINE ON INST)	AP,AQ ,AT,A U,AX, AY,BB ,BC BF,BG	8
37	BRF100C4D		..NUTPLATE- (V52828) (SPEC BACN10KB4CFD) (OPT F51604-4 (V15653)) (OPT 102F9207P4 (V72962)) (OPT F51604-4 (V15653))	AN,AR ,AS,A V,AW, AZ,BA ,BD BE,BH	2
37A	BRF100C4D		..NUTPLATE- (V52828) (SPEC BACN10KB4CFD) (OPT F51604-4 (V15653)) (OPT 102F9207P4 (V72962)) (OPT F51604-4 (V15653))	AP,AQ ,AT,A U,AX, AY,BB ,BC BF,BG	2

71-11-33

 ILLUSTRATED PARTS LIST
 01.1 Page 1066V
 Jul 01/04


BOEING
 COMPONENT
 MAINTENANCE MANUAL

FIG. & ITEM	PART NO.	AIRLINE PART NUMBER	NOMENCLATURE 1234567	EFF CODE	QTY PER ASSY
12-39	315T4210-10		..SPACER-RADIUS FILLER	AN,AR ,AS,A V,AW, AZ,BA ,BD BE,BH	2
39A	315T4210-10		..SPACER-RADIUS FILLER	AP,AQ ,AT,A U,AX, AY,BB ,BC BF,BG	2
41	BRF200C4D		..NUTPLATE- (V52828) (SPEC BACN10JR4CFD) (OPT K51602-4BAC (V15653)) (OPT NS202476-048 (V80539)) (OPT 102F9201-4 (V72962)) (OPT T8092C428CD (V11815))	AN,AR ,AS,A V,AW, AZ,BA ,BD BE,BH	2
41A	BRF200C4D		..NUTPLATE- (V52828) (SPEC BACN10JR4CFD) (OPT K51602-4BAC (V15653)) (OPT NS202476-048 (V80539)) (OPT 102F9201-4 (V72962)) (OPT T8092C428CD (V11815))	AP,AQ ,AT,A U,AX, AY,BB ,BC BF,BG	2

71-11-33

 ILLUSTRATED PARTS LIST
 01.1 Page 1066W
 Jul 01/04

FIG. & ITEM	PART NO.	AIRLINE PART NUMBER	NOMENCLATURE 1234567	EFF CODE	QTY PER ASSY
12-43	315T4210-9		..SPACER-RADIUS FILLER	AN,AR ,AS,A V,AW, AZ,BA ,BD BE,BH	2
43A	315T4210-9		..SPACER-RADIUS FILLER	AP,AQ ,AT,A U,AX, AY,BB ,BC BF,BG	2
45	315T4210-7		..CASCADE	AN,AR ,AS,A V,AW, AZ,BA ,BD BE,BH	1
45A	315T4210-7		..CASCADE	AP,AQ ,AT,A U,AX, AY,BB ,BC BF,BG	1
47	BACR15BB3B		..RIVET- (SIZE DETERMINE ON INST)	AN,AR ,AS,A V,AW, AZ,BA ,BD BE,BH	2
47A	BACR15BB3B		..RIVET- (SIZE DETERMINE ON INST)	AP,AQ ,AT,A U,AX, AY,BB ,BC BF,BG	2

71-11-33

ILLUSTRATED PARTS LIST

01.1 Page 1066X

Jul 01/04


BOEING
 COMPONENT
 MAINTENANCE MANUAL

FIG. & ITEM	PART NO.	AIRLINE PART NUMBER	NOMENCLATURE 1234567	EFF CODE	QTY PER ASSY
12-49	69B97503-1		..TAG-IDENT (OPT ITEM 49A)	AN,AR ,AS,A V,AW, AZ,BA ,BD BE,BH	1
49A	315T4210-11		..TAG-IDENT (OPT ITEM 49)	AN,AR ,AS,A V,AW, AZ,BA ,BD BE,BH	1
-49B	69B97503-1		..TAG-IDENT (OPT ITEM 49C)	AP,AQ ,AT,A U,AX, AY,BB ,BC BF,BG	1
-49C	315T4210-11		..TAG-IDENT (OPT ITEM 49B)	AP,AQ ,AT,A U,AX, AY,BB ,BC BF,BG	1
51	315T4212-3		.CASCADE ASSY-39.2 DEG SKEWED	AN,AS ,AW, BA,BE	2
53	315T4212-4		.CASCADE ASSY-39.2 DEG SKEWED	AP,AT ,AX,B B,BF	1
-55	315T4212-3		.CASCADE ASSY-39.2 DEG SKEWED	AQ,AU ,AY,B C,BG	1
-57	315T4212-4		.CASCADE ASSY-39.2 DEG SKEWED	AR,AV ,AZ,B D,BH	2

71-11-33

ILLUSTRATED PARTS LIST

01.1 Page 1066Y

Jul 01/04

FIG. & ITEM	PART NO.	AIRLINE PART NUMBER	NOMENCLATURE 1234567	EFF CODE	QTY PER ASSY
12-59	BACR15CE3B		..RIVET- (SIZE DETERMINE ON INST)	AN,AR ,AS,A V,AW, AZ,BA ,BD BE,BH	8
59A	BACR15CE3B		..RIVET- (SIZE DETERMINE ON INST)	AP,AQ ,AT,A U,AX, AY,BB ,BC BF,BG	8
61	BRF100C4D		..NUTPLATE- (V52828) (SPEC BACN10KB4CFD) (OPT F51604-4 (V15653)) (OPT 102F9207P4 (V72962)) (OPT F51604-4 (V15653))	AN,AR ,AS,A V,AW, AZ,BA ,BD BE,BH	2
61A	BRF100C4D		..NUTPLATE- (V52828) (SPEC BACN10KB4CFD) (OPT F51604-4 (V15653)) (OPT 102F9207P4 (V72962)) (OPT F51604-4 (V15653))	AP,AQ ,AT,A U,AX, AY,BB ,BC BF,BG	2
63	315T4210-10		..SPACER-RADIUS FILLER	AN,AR ,AS,A V,AW, AZ,BA ,BD BE,BH	2
63A	315T4210-10		..SPACER-RADIUS FILLER	AP,AQ ,AT,A U,AX, AY,BB ,BC BF,BG	2

71-11-33

 ILLUSTRATED PARTS LIST
 01.1 Page 1066Z
 Jul 01/04


BOEING
 COMPONENT
 MAINTENANCE MANUAL

FIG. & ITEM	PART NO.	AIRLINE PART NUMBER	NOMENCLATURE 1234567	EFF CODE	QTY PER ASSY
12-65	BRF200C4D		..NUTPLATE- (V52828) (SPEC BACN10JR4CFD) (OPT K51602-4BAC (V15653)) (OPT NS202476-048 (V80539)) (OPT 102F9201-4 (V72962)) (OPT T8092C428CD (V11815))	AN,AR ,AS,A V,AW, AZ,BA ,BD BE,BH	2
65A	BRF200C4D		..NUTPLATE- (V52828) (SPEC BACN10JR4CFD) (OPT K51602-4BAC (V15653)) (OPT NS202476-048 (V80539)) (OPT 102F9201-4 (V72962)) (OPT T8092C428CD (V11815))	AP,AQ ,AT,A U,AX, AY,BB ,BC BF,BG	2
67	315T4210-9		..SPACER-RADIUS FILLER	AN,AR ,AS,A V,AW, AZ,BA ,BD BE,BH	2
67A	315T4210-9		..SPACER-RADIUS FILLER	AP,AQ ,AT,A U,AX, AY,BB ,BC BF,BG	2
69	315T4212-7		..CASCADE	AN,AS ,AW, BA,BE	1
-69A	315T4212-7		..CASCADE	AQ,AU ,AY,B C,BG	1

71-11-33

ILLUSTRATED PARTS LIST

01.1

Page 1067

Jul 01/04

FIG. & ITEM	PART NO.	AIRLINE PART NUMBER	NOMENCLATURE 1234567	EFF CODE	QTY PER ASSY
12-71	315T4212-8		..CASCADE	AP,AT ,AX,B B,BF	1
-71A	315T4212-8		..CASCADE	AR,AV ,AZ,B D,BH	1
73	BACR15BB3B		..RIVET- (SIZE DETERMINE ON INST)	AN,AR ,AS,A V,AW, AZ,BA ,BD BE,BH	2
73A	BACR15BB3B		..RIVET- (SIZE DETERMINE ON INST)	AP,AQ ,AT,A U,AX, AY,BB ,BC BF,BG	2
75	69B97503-1		..TAG-IDENT (OPT ITEM 75A)	AN,AR ,AS,A V,AW, AZ,BA ,BD BE,BH	1
75A	315T4210-11		..TAG-IDENT (OPT ITEM 75)	AN,AR ,AS,A V,AW, AZ,BA ,BD BE,BH	1
-75B	69B97503-1		..TAG-IDENT (OPT ITEM 75C)	AP,AQ ,AT,A U,AX, AY,BB ,BC BF,BG	1

71-11-33

ILLUSTRATED PARTS LIST

01.1

Page 1068

Jul 01/04


BOEING
 COMPONENT
 MAINTENANCE MANUAL

FIG. & ITEM	PART NO.	AIRLINE PART NUMBER	NOMENCLATURE 1234567	EFF CODE	QTY PER ASSY
12- -75C	315T4210-11		..TAG-IDENT (OPT ITEM 75B)	AP,AQ ,AT,A U,AX, AY,BB ,BC BF,BG	1
77	315T4212-1		.CASCADE ASSY-39.2 DEG SKEWED	AN,AS ,AW, BA,BE	1
-79	315T4212-2		.CASCADE ASSY-39.2 DEG SKEWED	AR,AV ,AZ,B D,BH	1
81	BACR15CE3B		..RIVET- (SIZE DETERMINE ON INST)	AN,AR ,AS,A V,AW, AZ,BA ,BD BE,BH	8
83	BRF100C4D		..NUTPLATE- (V52828) (SPEC BACN10KB4CFD) (OPT F51604-4 (V15653)) (OPT 102F9207P4 (V72962)) (OPT F51604-4 (V15653))	AN,AR ,AS,A V,AW, AZ,BA ,BD BE,BH	2
85	315T4210-10		..SPACER-RADIUS FILLER	AN,AR ,AS,A V,AW, AZ,BA ,BD BE,BH	2

71-11-33

ILLUSTRATED PARTS LIST

01.1 Page 1068A

Jul 01/04

FIG. & ITEM	PART NO.	AIRLINE PART NUMBER	NOMENCLATURE 1234567	EFF CODE	QTY PER ASSY
12-87	BRF200C4D		..NUTPLATE- (V52828) (SPEC BACN10JR4CFD) (OPT K51602-4BAC (V15653)) (OPT NS202476-048 (V80539)) (OPT 102F9201-4 (V72962)) (OPT T8092C428CD (V11815))	AN,AR ,AS,A V,AW, AZ,BA ,BD BE,BH	2
89	315T4210-9		..SPACER-RADIUS FILLER	AN,AR ,AS,A V,AW, AZ,BA ,BD BE,BH	2
91	315T4212-5		..CASCADE	AN,AS ,AW, BA,BE	1
-93	315T4212-6		..CASCADE	AR,AV ,AZ,B D,BH	1
95	BACR15BB3B		..RIVET- (SIZE DETERMINE ON INST)	AN,AR ,AS,A V,AW, AZ,BA ,BD BE,BH	2

71-11-33

 ILLUSTRATED PARTS LIST
 01.1 Page 1068B
 Jul 01/04


BOEING
 COMPONENT
 MAINTENANCE MANUAL

FIG. & ITEM	PART NO.	AIRLINE PART NUMBER	NOMENCLATURE 1234567	EFF CODE	QTY PER ASSY
12-97	69B97503-1		..TAG-IDENT (OPT ITEM 97A)	AN,AR ,AS,A V,AW, AZ,BA ,BD BE,BH	1
-97A	315T4210-11		..TAG-IDENT (OPT ITEM 97)	AN,AR ,AS,A V,AW, AZ,BA ,BD BE,BH	1
99	315T4259-1		.CASCADE ASSY-58.25 DEG CURVED STRONGBACK (OPT ITEM 99A)	AP,BF	2
-99A	315T4259-9		.CASCADE ASSY-58.25 DEG CURVED STRONGBACK (OPT ITEM 99)	AP,BF	2
-99B	315T4259-1		.CASCADE ASSY-58.25 DEG CURVED STRONGBACK	AT,AX ,BB	2
-101	315T4259-2		.CASCADE ASSY-58.25 DEG CURVED STRONGBACK (OPT ITEM 101A)	AQ,BG	2
-101A	315T4259-10		.CASCADE ASSY-58.25 DEG CURVED STRONGBACK (OPT ITEM 101)	AQ,BG	2
-101B	315T4259-2		.CASCADE ASSY-58.25 DEG CURVED STRONGBACK	AU,AY ,BC	2
103	BACR15CE3B		..RIVET- (SIZE DETERMINE ON INST)	AP,AQ ,AT,A U,AX, AY,BB ,BC BF,BG	8
105	BRF100C4D		..NUTPLATE- (V52828) (SPEC BACN10KB4CFD) (OPT F51604-4 (V15653)) (OPT 102F9207P4 (V72962)) (OPT F51604-4 (V15653))	AP,AQ ,AT,A U,AX, AY,BB ,BC BF,BG	2

71-11-33

 ILLUSTRATED PARTS LIST
 01.1 Page 1068C
 Jul 01/04

FIG. & ITEM	PART NO.	AIRLINE PART NUMBER	NOMENCLATURE 1234567	EFF CODE	QTY PER ASSY
12-107	315T4210-10		..SPACER-RADIUS FILLER	AP,AQ ,AT,A U,AX, AY,BB ,BC BF,BG	2
109	BRF200C4D		..NUTPLATE- (V52828) (SPEC BACN10JR4CFD) (OPT K51602-4BAC (V15653)) (OPT NS202476-048 (V80539)) (OPT 102F9201-4 (V72962)) (OPT T8092C428CD (V11815))	AP,AQ ,AT,A U,AX, AY,BB ,BC BF,BG	2
111	315T4210-9		..SPACER-RADIUS FILLER	AP,AQ ,AT,A U,AX, AY,BB ,BC BF,BG	2
113	315T4259-3		..CASCADE- (USED ON ITEMS 99, 99B)	AP,AT ,AX,B B,BF	1
-113A	315T4259-11		..CASCADE- (USED ON ITEM 99A)	AP,BF	1
-115	315T4259-4		..CASCADE- (USED ON ITEMS 101, 101B)	AQ,AU ,AY,B C,BG	1
-115A	315T4259-12		..CASCADE- (USED ON ITEM 101A)	AQ,BG	1

71-11-33

 ILLUSTRATED PARTS LIST
 01.1 Page 1068D
 Jul 01/04


BOEING
 COMPONENT
 MAINTENANCE MANUAL

FIG. & ITEM	PART NO.	AIRLINE PART NUMBER	NOMENCLATURE 1234567	EFF CODE	QTY PER ASSY
12-117	BACR15BB3B		..RIVET- (SIZE DETERMINE ON INST)	AP,AQ ,AT,A U,AX, AY,BB ,BC BF,BG	2
119	69B97503-1		..TAG-IDENT	AP,AQ ,AT,A U,AX, AY,BB ,BC BF,BG	1
121	315T4262-1		.CASCADE ASSY-RADIAL SPOILED FLOW	AP,AQ ,AT,A U,AX, AY,BB ,BC BF,BG	2
123	BACR15CE3B		..RIVET- (SIZE DETERMINE ON INST)	AP,AQ ,AT,A U,AX, AY,BB ,BC BF,BG	8
125	BRF100C4D		..NUTPLATE- (V52828) (SPEC BACN10KB4CFD) (OPT F51604-4 (V15653)) (OPT 102F9207P4 (V72962)) (OPT F51604-4 (V15653))	AP,AQ ,AT,A U,AX, AY,BB ,BC BF,BG	2

71-11-33

ILLUSTRATED PARTS LIST

01.1 Page 1068E

Jul 01/04

FIG. & ITEM	PART NO.	AIRLINE PART NUMBER	NOMENCLATURE 1234567	EFF CODE	QTY PER ASSY
12-127	315T4210-10		..SPACER-RADIUS FILLER	AP,AQ ,AT,A U,AX, AY,BB ,BC BF,BG	2
129	BRF200C4D		..NUTPLATE- (V52828) (SPEC BACN10JR4CFD) (OPT K51602-4BAC (V15653)) (OPT NS202476-048 (V80539)) (OPT 102F9201-4 (V72962)) (OPT T8092C428CD (V11815))	AP,AQ ,AT,A U,AX, AY,BB ,BC BF,BG	2
131	315T4210-9		..SPACER-RADIUS FILLER	AP,AQ ,AT,A U,AX, AY,BB ,BC BF,BG	2
133	315T4262-2		..CASCADE	AP,AQ ,AT,A U,AX, AY,BB ,BC BF,BG	1
135	BACR15BB3B		..RIVET- (SIZE DETERMINE ON INST)	AP,AQ ,AT,A U,AX, AY,BB ,BC BF,BG	2
137	69B97503-1		..TAG-IDENT	AP,AQ ,AT,A U,AX, AY,BB ,BC BF,BG	1

71-11-33

ILLUSTRATED PARTS LIST

01.1 Page 1068F

Jul 01/04


BOEING
 COMPONENT
 MAINTENANCE MANUAL

FIG. & ITEM	PART NO.	AIRLINE PART NUMBER	NOMENCLATURE 1234567	EFF CODE	QTY PER ASSY
12-139	315T4214-1		.CASCADE ASSY-SPOILED 44 DEG CURVED STRONGBACK	AQ,AU ,AY,B C,BG	1
-141	315T4214-2		.CASCADE ASSY-SPOILED 44 DEG CURVED STRONGBACK	AP,AT ,AX,B B,BF	1
143	315T4214-4		.CASCADE ASSY-SPOILED 44 DEG CURVED STRONGBACK	AQ,AU ,AY,B C,BG	1
-145	315T4214-3		.CASCADE ASSY-SPOILED 44 DEG CURVED STRONGBACK	AP,AT ,AX,B B,BF	1
147	BACR15CE3B		..RIVET- (SIZE DETERMINE ON INST)	AP,AQ ,AT,A U,AX, AY,BB ,BC BF,BG	8
149	BRF100C4D		..NUTPLATE- (V52828) (SPEC BACN10KB4CFD) (OPT F51604-4 (V15653)) (OPT 102F9207P4 (V72962)) (OPT F51604-4 (V15653))	AP,AQ ,AT,A U,AX, AY,BB ,BC BF,BG	2
151	315T4210-10		..SPACER-RADIUS FILLER	AP,AQ ,AT,A U,AX, AY,BB ,BC BF,BG	2
153	BRF200C4D		..NUTPLATE- (V52828) (SPEC BACN10JR4CFD) (OPT K51602-4BAC (V15653)) (OPT NS202476-048 (V80539)) (OPT 102F9201-4 (V72962)) (OPT T8092C428CD (V11815))	AP,AQ ,AT,A U,AX, AY,BB ,BC BF,BG	2

71-11-33

ILLUSTRATED PARTS LIST

01.1 Page 1068G

Jul 01/04

FIG. & ITEM	PART NO.	AIRLINE PART NUMBER	NOMENCLATURE 1234567	EFF CODE	QTY PER ASSY
12-155	315T4210-9		..SPACER-RADIUS FILLER	AP,AQ ,AT,A U,AX, AY,BB ,BC BF,BG	2
157	315T4214-5		..CASCADE- (USED ON ITEM 139)	AQ,AU ,AY,B C,BG	1
-159	315T4214-6		..CASCADE- (USED ON ITEM 141)	AP,AT ,AX,B B,BF	1
161	315T4214-8		..CASCADE- (USED ON ITEM 143)	AQ,AU ,AY,B C,BG	1
-163	315T4214-7		..CASCADE- (USED ON ITEM 145)	AP,AT ,AX,B B,BF	1
165	BACR15BB3B		..RIVET- (SIZE DETERMINE ON INST)	AP,AQ ,AT,A U,AX, AY,BB ,BC BF,BG	2
167	69B97503-1		..TAG-IDENT	AP,AQ ,AT,A U,AX, AY,BB ,BC BF,BG	1

71-11-33

 ILLUSTRATED PARTS LIST
 01.1 Page 1068H
 Jul 01/04


BOEING
 COMPONENT
 MAINTENANCE MANUAL

FIG. & ITEM	PART NO.	AIRLINE PART NUMBER	NOMENCLATURE 1234567	EFF CODE	QTY PER ASSY
12-169	315T3400-273		.BIFURCATION ASSY-LWR (FOR DETAILS SEE FIG. 7)	AN,AQ ,AS,A U,AW, AY,BA ,BC BE,BG	1
171	MS20427M4C		.RIVET- (SIZE DETERMINE ON INST)	AN-AV ,BE-B H	2
173	315T3002-137		.STRIP-RUB	AN,AQ ,AS,A U,BE, BG	1
-175	315T3002-138		.STRIP-RUB	AP,AR ,AT,A V,BF, BH	1
177	315T3007-4		.FAIRING-FILLET	AP,AR ,AT,A V,BF, BH	1
-177A	315T3007-12		.FAIRING-FILLET	AX,AZ ,BB,B D	1
179	CSR924-6-9		.RIVET- (V05693) (OPT ITEM 179A)	AN-AV ,BE-B H	1
-179A	MS20427M6C10		.RIVET- (OPT ITEM 179)	AN-AV ,BE-B H	1
181	CSR924-6-7R		.RIVET- (V05693) (OPT ITEM 181A)	AN-AV ,BE-B H	1

71-11-33

ILLUSTRATED PARTS LIST

01.1 Page 1068I

Jul 01/04

FIG. & ITEM	PART NO.	AIRLINE PART NUMBER	NOMENCLATURE 1234567	EFF CODE	QTY PER ASSY
12- -181A	MS20427M6C11		.RIVET- (OPT ITEM 181)	AN-AV ,BE-B H	1
183	CSR924-6-6		.RIVET- (V05693) (OPT ITEM 183A)	AN-AV ,BE-B H	2
-183A	MS20427M6C8		.RIVET- (OPT ITEM 183)	AN-AV ,BE-B H	2
185	BACS40R004F041F		.SHIM	AN-AV ,BE-B H	1
187	315T3002-141		.FILLER	AN-AV ,BE-B H	1
-189	315T3128-17		.SYSTEM INSTL-ZONE VENTILATION (FOR DETAILS SEE FIG. 2)	AN,AQ ,AS,A U,AW, AY,BA ,BC BE,BG AW-BD	1
191	MS20427M4C		.RIVET- (SIZE DETERMINE ON INST)	AW-BD	1
193	CSR924-6-7		.RIVET- (V05693) (OPT ITEM 193A)	AW-BD	2
-193A	MS20427M6C9		.RIVET- (OPT ITEM 193)	AW-BD	2
195	CSR924-6-5		.RIVET- (V05693) (OPT ITEM 195A)	AW-BD	2
-195A	MS20427M6C7		.RIVET- (OPT ITEM 195)	AW-BD	2
197	315T3002-139		.STRIP-RUB	AW,AY ,BA,B C	1
-199	315T3002-140		.STRIP-RUB	AX,AZ ,BB,B D	1
-201	315T3202-115		.BOX INSTL-COWL REVERSER TORQUE (FOR DETAILS SEE FIG. 4)	AN,AQ	1

71-11-33

 ILLUSTRATED PARTS LIST
 01.1 Page 1068J
 Jul 01/04

 **BOEING**
 COMPONENT
 MAINTENANCE MANUAL

FIG. & ITEM	PART NO.	AIRLINE PART NUMBER	NOMENCLATURE 1234567	EFF CODE	QTY PER ASSY
12- -201A	315T3202-255		.BOX INSTL-COWL REVERSER TORQUE (FOR DETAILS SEE FIG. 4)	AS,AU ,AW,A Y,BA, BC,BE ,BG	1
-203	315T3202-116		.BOX INSTL-COWL REVERSER TORQUE (FOR DETAILS SEE FIG. 4)	AP,AR	1
-203A	315T3202-256		.BOX INSTL-COWL REVERSER TORQUE (FOR DETAILS SEE FIG. 4)	AT,AV ,AX,A Z,BB, BD,BF ,BH	1
-205	315T3124-6		.DUCT INSTL-EXH	AP,AR ,AT,A V,BF, BH	1
-205A	315T3124-8		.DUCT INSTL-EXH	AX,AZ ,BB,B D	1
207	HL11VAZ6-19		..BOLT- (V60516) (SPEC BACB30NW6K19) (OPT B30NW6K19 (V97928)) (OPT HL11VAZ6-19 (V73197)) (OPT HL11VAZ6-19 (V92215)) (OPT HL11VAZ6-19 (V97928)) (OPT L803-6K19 (V06725)) (OPT HL11VAZ6-19 (V0PTK6)) (OPT HL11VAZ6-19 (V56878))	AP,AR ,AT,A V,AX, AZ,BB ,BD BF,BH	32
209	BACS40R7B10F		..SHIM	AP,AR ,AT,A V,AX, AZ,BB ,BD BF,BH	AR

71-11-33

ILLUSTRATED PARTS LIST
 01.1 Page 1068K
 Jul 01/04

FIG. & ITEM	PART NO.	AIRLINE PART NUMBER	NOMENCLATURE 1234567	EFF CODE	QTY PER ASSY
12-211	HL97DU6		..COLLAR- (V73197) (SPEC BACC30AB6S) (OPT HL97DU6 (V92215)) (OPT HL97DU6 (V56878))	AP,AR ,AT,A V,AX, AZ,BB ,BD BF,BH	32
213	315T3135-1		..GASKET	AP,AR ,AT,A V,AX, AZ,BB ,BD BF,BH	4
215	315T3135-2		..GASKET	AP,AR ,AT,A V,AX, AZ,BB ,BD BF,BH	2
217	315T3135-3		..GASKET	AP,AR ,AT,A V,AX, AZ,BB ,BD BF,BH	2
219	NAS514P1032-14P		..SCREW- (LIMITED)	AP,AR ,AT,A V,BF, BH	8
-219A	NAS514P1032-8P		..SCREW- (LIMITED)	AP,AR ,AT,A V,BF, BH	8
-219B	NAS514P1032-8P		..SCREW	AX,AZ ,BB,B D	8

71-11-33

 ILLUSTRATED PARTS LIST
 01.1 Page 1068L
 Jul 01/04


BOEING
 COMPONENT
 MAINTENANCE MANUAL

FIG. & ITEM	PART NO.	AIRLINE PART NUMBER	NOMENCLATURE 1234567	EFF CODE	QTY PER ASSY
12-221	NAS514P1032-8P		..SCREW- (LIMITED)	AP,AR ,AT,A V,BF, BH	8
-221A	NAS514P1032-8P		..SCREW	AX,AZ ,BB,B D	8
223	AN960XC10		..WASHER	AP,AR ,AT,A V,AX, AZ,BB ,BD BF,BH	16
225	BRH10C3		..NUT- (V52828) (SPEC BACN10JC3C) (OPT T6C1032J (V11815)) (OPT 97-02 (V80539)) (OPT 101LH9075-3W (V72962)) (OPT VN303B02 (V92215)) (OPT NS202101S02 (V80539)) (OPT H31-3BAC (V15653))	AP,AR ,AT,A V,AX, AZ,BB ,BD BF,BH	16
227	315T3124-7		..SHIM- (LIMITED) (MFD FROM SH AISI 301 7.9 X 7.9 X .100 PER MIL-S-5059)	AP,AR ,AT,A V,BF, BH	3

71-11-33

 ILLUSTRATED PARTS LIST
 01.1 Page 1068M
 Jul 01/04

FIG. & ITEM	PART NO.	AIRLINE PART NUMBER	NOMENCLATURE 1234567	EFF CODE	QTY PER ASSY
12-229	BOE2040		..SEAL- (LIMITED) (BOE2040-0004 I/W BOE2040 AT SURGE BLEED PORT NO 1 BOE2040-0004 I/W BOE2040 TOGETHER WITH 3 EACH 315T3124-7 SHIMS AT SURGE BLEED PORT NO 2 BOE2040-0004 I/W BOE2040 TOGETHER WITH 2 EACH 315T3124-7 SHIMS AT SURGE BLEED PORT NO 4) (V16632) (SPEC S332T308-1)	AP,AR ,AT,A V,BF, BH	2
-229A	BOE2040-0004		..SEAL- (LIMITED) (BOE2040-0004 I/W BOE2040 AT SURGE BLEED PORT NO 1 BOE2040-0004 I/W BOE2040 TOGETHER WITH 3 EACH 315T3124-7 SHIMS AT SURGE BLEED PORT NO 2 BOE2040-0004 I/W BOE2040 TOGETHER WITH 2 EACH 315T3124-7 SHIMS AT SURGE BLEED PORT NO 4) (V16632) (SPEC S332T308-4)	AP,AR ,AT,A V,BF, BH	2
-229B	BOE2040-0004		..SEAL- (BOE2040-0004 I/W BOE2040 AT SURGE BLEED PORT NO 1 BOE2040-0004 I/W BOE2040 TOGETHER WITH 3 EACH 315T3124-7 SHIMS AT SURGE BLEED PORT NO 2 BOE2040-0004 I/W BOE2040 TOGETHER WITH 2 EACH 315T3124-7 SHIMS AT SURGE BLEED PORT NO 4) (V16632) (SPEC S332T308-4)	AX,AZ ,BB,B D	2

71-11-33

ILLUSTRATED PARTS LIST

01.1 Page 1068N

Jul 01/04


BOEING
 COMPONENT
 MAINTENANCE MANUAL

FIG. & ITEM	PART NO.	AIRLINE PART NUMBER	NOMENCLATURE 1234567	EFF CODE	QTY PER ASSY
12-231	HL11VAZ6-4		..BOLT- (V60516) (SPEC BACB30NW6K4) (OPT HL11V6-4 (V92215)) (OPT HL11V6-4 (V97928)) (OPT L803-6-4 (V06725)) (OPT B30NW6K4 (V97928)) (OPT HL11VAZ6-4 (V73197)) (OPT HL11VAZ6-4 (V92215)) (OPT HL11VAZ6-4 (V56878))	AP,AR ,AT,A V,AX, AZ,BB ,BD BF,BH	10
233	HL11VAZ6-3		..BOLT- (V60516) (SPEC BACB30NW6K3) (OPT B30NW6K3 (V97928)) (OPT HL11VAZ6-3 (V73197)) (OPT HL11VAZ6-3 (V92215)) (OPT HL11VAZ6-3 (V97928)) (OPT L803-6K3 (V06725)) (OPT HL11VAZ6-3 (V0PTK6)) (OPT HL11VAZ6-3 (V56878))	AP,AR ,AT,A V,AX, AZ,BB ,BD BF,BH	24

71-11-33

ILLUSTRATED PARTS LIST

01.1 Page 10680

Jul 01/04

FIG. & ITEM	PART NO.	AIRLINE PART NUMBER	NOMENCLATURE 1234567	EFF CODE	QTY PER ASSY
12-235	HL97DU6		..COLLAR- (V73197) (SPEC BACC30AB6S) (OPT HL97DU6 (V92215)) (OPT HL97DU6 (V56878))	AP,AR ,AT,A V,AX, AZ,BB ,BD BF,BH	34
237	315T3123-24		..DUCT ASSY- (OPT ITEM 237A)	AP,AR ,AT,A V,AX, AZ,BB ,BD BF,BH	1
-237A	315T3123-37		..DUCT ASSY- (OPT ITEM 237)	AP,AR ,AT,A V,AX, AZ,BB ,BD BF,BH	1
239	315T3114-20		..DUCT ASSY	AP,AR ,AT,A V,BF, BH	1
-239A	315T3114-30		..DUCT ASSY	AX,AZ ,BB,B D	1
241	315T3100-83		.WALL ASSY-INNER	AN,AQ ,AS,A U,BE, BG	1
-241A	315T3100-85		.WALL ASSY-INNER	AW,AY ,BA,B C	1

71-11-33

 ILLUSTRATED PARTS LIST
 01.1 Page 1068P
 Jul 01/04


BOEING
 COMPONENT
 MAINTENANCE MANUAL

FIG. & ITEM	PART NO.	AIRLINE PART NUMBER	NOMENCLATURE 1234567	EFF CODE	QTY PER ASSY
12- -243	315T3100-84		.WALL ASSY-INNER	AP,AR ,AT,A V,BF, BH	1
-243A	315T3100-86		.WALL ASSY-INNER	AX,AZ ,BB,B D	1
244	BACR15CE4B		..RIVET- (SIZE DETERMINE ON INST)	AN-AV ,BE-B H	AR
245	BACB30VF4K4		..BOLT	AN-BH	2
247	BACR15CE3KE		..RIVET- (SIZE DETERMINE ON INST)	AN-BH	4
249	NS103190-048		..NUTPLATE- (V80539) (SPEC BACN10KE4A) (OPT F51750-4-1 (V15653)) (OPT RMF9212-4 (V72962)) (OPT BRFR220A4-1 (V52828))	AN-BH	2
249L	BACB30NW6K		..BOLT- (SIZE DETERMINE ON INST)	AN-AV ,BE-B H	6
250	HL79-6		..COLLAR- (V5M902) (SPEC BACC30M6) (OPT HL79-6 (V73197)) (OPT HL79-6 (V92215)) (OPT 66014-6 (V56878)) (OPT HL79-6 (V56878))	AN-AV ,BE-B H	6
250L	315T3554-2		..CATCH-COWL	AN-AV ,BE-B H	1

71-11-33

ILLUSTRATED PARTS LIST

01.1 Page 1068Q

Jul 01/04

FIG. & ITEM	PART NO.	AIRLINE PART NUMBER	NOMENCLATURE 1234567	EFF CODE	QTY PER ASSY
12-251	315T3100-59		..STRIP-RUB (ITEM 253 AND ITEM 255 TOGETHER OPT TO ITEM 251)	AN,AQ ,AS,A U,BE, BG	1
253	315T3100-63		..STRIP-RUB (ITEM 253 AND ITEM 255 TOGETHER OPT TO ITEM 251)	AN,AQ ,AS,A U,BE, BG	1
255	315T3100-65		..STRIP-RUB (ITEM 253 AND ITEM 255 TOGETHER OPT TO ITEM 251)	AN,AQ ,AS,A U,BE, BG	1
256	315T3100-87		..BOND ASSY-RIVET	AN,AQ ,AS,A U,BE, BG	1
-256L	315T3100-88		..BOND ASSY-RIVET	AP,AR ,AT,A V,BF, BH	1
-257	315T3100-60		..STRIP-RUB (ITEM 259 AND ITEM 261 TOGETHER OPT TO ITEM 257)	AP,AR ,AT,A V,BF, BH	1
-259	315T3100-64		..STRIP-RUB (ITEM 259 AND ITEM 261 TOGETHER OPT TO ITEM 257)	AP,AR ,AT,A V,BF, BH	1
-261	315T3100-66		..STRIP-RUB (ITEM 259 AND ITEM 261 TOGETHER OPT TO ITEM 257)	AP,AR ,AT,A V,BF, BH	1
-262	315T3101-153		..PANEL ASSY-ACOUSTIC	AN,AQ ,AS,A U,BE, BG	1

71-11-33

 ILLUSTRATED PARTS LIST
 01.1 Page 1068R
 Jul 01/04


BOEING
 COMPONENT
 MAINTENANCE MANUAL

FIG. & ITEM	PART NO.	AIRLINE PART NUMBER	NOMENCLATURE 1234567	EFF CODE	QTY PER ASSY
12- -262L	315T3101-170		. .PANEL ASSY-ACOUSTIC	AP,AR ,AT,A V,BF, BH	1
263	315T3300-25		.BIFURCATION INSTL-UPR (FOR DETAILS SEE FIG. 5)	AS,AU	1
-263A	315T3300-27		.BIFURCATION INSTL-UPR (FOR DETAILS SEE FIG. 5)	AW,AY	1
-263B	315T3300-29		.BIFURCATION INSTL-UPR (FOR DETAILS SEE FIG. 5)	AN,AQ ,BE,B G	1
-263C	315T3300-31		.BIFURCATION INSTL-UPR (FOR DETAILS SEE FIG. 5)	BA,BC	1
-265	315T3300-26		.BIFURCATION INSTL-UPR (FOR DETAILS SEE FIG. 5)	AT,AV	1
-265A	315T3300-28		.BIFURCATION INSTL-UPR (FOR DETAILS SEE FIG. 5)	AX,AZ	1
-265B	315T3300-30		.BIFURCATION INSTL-UPR (FOR DETAILS SEE FIG. 5)	AP,AR ,BF,B H	1
-265C	315T3300-32		.BIFURCATION INSTL-UPR (FOR DETAILS SEE FIG. 5)	BB,BD	1
-267	315T3318-207		.SEAL INSTL-UPR BIFURCATION (FOR DETAILS SEE FIG. 6)	AS,AU ,AW,A Y	1
-267A	315T3318-133		.SEAL INSTL-UPR BIFURCATION	AN,AQ ,BA,B C,BE, BG	1

71-11-33

ILLUSTRATED PARTS LIST

01.1 Page 1068S

Jul 01/04

FIG. & ITEM	PART NO.	AIRLINE PART NUMBER	NOMENCLATURE 1234567	EFF CODE	QTY PER ASSY
12- -269	315T3318-5007		..SEAL INSTL- (LIMITED) (FOR DETAILS SEE FIG. 6)	AN,AQ ,BA,B C,BE, BG	1
-269A	315T3318-5009		..SEAL INSTL- (LIMITED) (FOR DETAILS SEE FIG. 6)	AN,AQ ,BA,B C,BE, BG	1
-269B	315T3318-5011		..SEAL INSTL- (LIMITED) (FOR DETAILS SEE FIG. 6)	AN,AQ ,BA,B C,BE, BG	1
-269C	315T3318-5013		..SEAL INSTL- (LIMITED) (FOR DETAILS SEE FIG. 6)	AN,AQ ,BA,B C,BE, BG	1
-269D	315T3318-5015		..SEAL INSTL- (LIMITED) (FOR DETAILS SEE FIG. 6)	AN,AQ ,BA,B C,BE, BG	1
-271	315T3318-208		.SEAL INSTL-UPR BIFURCATION (FOR DETAILS SEE FIG. 6)	AT,AV ,AX,A Z	1
-271A	315T3318-134		.SEAL INSTL-UPR BIFURCATION	AP,AR ,BB,B D,BF, BH	1
-273	315T3318-5008		..SEAL INSTL- (LIMITED) (FOR DETAILS SEE FIG. 6)	AP,AR ,BB,B D,BF, BH	1
-273A	315T3318-5010		..SEAL INSTL- (LIMITED) (FOR DETAILS SEE FIG. 6)	AP,AR ,BB,B D,BF, BH	1
-273B	315T3318-5014		..SEAL INSTL- (LIMITED) (FOR DETAILS SEE FIG. 6)	AP,AR ,BB,B D,BF, BH	1

71-11-33

 ILLUSTRATED PARTS LIST
 01.1 Page 1068T
 Jul 01/04


BOEING
 COMPONENT
 MAINTENANCE MANUAL

FIG. & ITEM	PART NO.	AIRLINE PART NUMBER	NOMENCLATURE 1234567	EFF CODE	QTY PER ASSY
12- -275	315T3002-7001		.COLLECTOR-COMMON POINT	AN,AQ ,AS,A U,AW, AY,BA ,BC BE,BG	1
-277	315T3002-7002		.COLLECTOR-COMMON POINT	AP,AR	1
-277A	315T3002-7005		.COLLECTOR-COMMON POINT	AT,AV ,AX,A Z,BB, BD,BF ,BH	1
279	BACB30NM4K8		..BOLT- (LIMITED)	AN-BH	54
281	AN960KD416		..WASHER- (LIMITED)	AN-BH	54
283	BACB30NM4K9		..BOLT- (LIMITED)	AN-BH	36
285	AN960KD416L		..WASHER- (LIMITED)	AN-BH	70
287	AN960KD416		..WASHER- (LIMITED)	AN-BH	2
289	BACR15BA3AD		..RIVET- (SIZE DETERMINE ON INST)	AN-BH	108
291	NS202495-048		..NUTPLATE- (V80539) (SPEC BACN10KE4DCD) (OPT F51753-4CD (V15653)) (OPT ITEM 291A)	AN-BH	54
-291A	NS103193SE048		..NUTPLATE- (V80539) (SPEC BACN10KE4DCM) (OPT F51753-4DL (V15653)) (OPT ITEM 291)	AN-BH	54
-293	315T3305-107		..FAIRING INSTL-SKIN UPR TRACK	AN,AQ ,AS,A U,AW, AY,BA ,BC BE,BG	1

71-11-33

ILLUSTRATED PARTS LIST

01.1 Page 1068U

Jul 01/04

FIG. & ITEM	PART NO.	AIRLINE PART NUMBER	NOMENCLATURE 1234567	EFF CODE	QTY PER ASSY
12- -295	315T3305-108		..FAIRING INSTL-SKIN UPR TRACK	AP,AR ,AT,A V,AX, AZ,BB ,BD BF,BH	1
-297	315T3305-5001		...FAIRING INSTL- (LIMITED)	AN,AQ ,AS,A U,AW, AY,BA ,BC BE,BG	1
-297A	315T3305-5003		...FAIRING INSTL- (LIMITED)	AN,AQ ,AS,A U,AW, AY,BA ,BC BE,BG	1
-297B	315T3305-5005		...FAIRING INSTL- (LIMITED)	AN,AQ ,AS,A U,AW, AY,BA ,BC BE,BG	1
-297C	315T3305-5007		...FAIRING INSTL- (LIMITED)	AN,AQ ,AS,A U,AW, AY,BA ,BC BE,BG	1

71-11-33

 ILLUSTRATED PARTS LIST
 01.1 Page 1068V
 Jul 01/04


BOEING
 COMPONENT
 MAINTENANCE MANUAL

FIG. & ITEM	PART NO.	AIRLINE PART NUMBER	NOMENCLATURE 1234567	EFF CODE	QTY PER ASSY
12- -299	315T3305-5002		...FAIRING INSTL- (LIMITED)	AP,AR ,AT,A V,AX, AZ,BB ,BD BF,BH	1
-299A	315T3305-5004		...FAIRING INSTL- (LIMITED)	AP,AR ,AT,A V,AX, AZ,BB ,BD BF,BH	1
-299B	315T3305-5006		...FAIRING INSTL- (LIMITED)	AP,AR ,AT,A V,AX, AZ,BB ,BD BF,BH	1
-299C	315T3305-5008		...FAIRING INSTL- (LIMITED)	AP,AR ,AT,A V,AX, AZ,BB ,BD BF,BH	1
301	BACB30VF3K5	BOLT	AN-BH	25
303	BACR15FT5KE	RIVET- (SIZE DETERMINE ON INST) (ITEM 303 OPT TO ITEM 305 TOGETHER WITH ITEM 307)	AN-BH	2

71-11-33

ILLUSTRATED PARTS LIST

01.1 Page 1068W

Jul 01/04

FIG. & ITEM	PART NO.	AIRLINE PART NUMBER	NOMENCLATURE 1234567	EFF CODE	QTY PER ASSY
12-305	BACB30MY5K	BOLT- (SIZE DETERMINE ON INST) (ITEM 303 OPT TO ITEM 305 TOGETHER WITH ITEM 307)	AN-BH	2
307	KFN600-5	NUT- (V56878) (SPEC BACN10XJ5) (OPT KFN600-5S (V15653)) (OPT BH00309-5 (V27238)) (OPT BH00309-5S (V27238)) (OPT KFN600-5 (V15653)) (ITEM 303 OPT TO ITEM 305 TOGETHER WITH ITEM 307)	AN-BH	2
309	315T3305-125	SUPPORT ASSY-REWORK (USED ON ITEM 297)	AN,AQ ,AS,A U,AW, AY,BA ,BC BE,BG	1
-311	315T3305-126	SUPPORT ASSY-REWORK (USED ON ITEM 299)	AP,AR ,AT,A V,AX, AZ,BB ,BD BF,BH	1
313	BACR15BA3AD	RIVET- (SIZE DETERMINE ON INST)	AN-BH	2
315	NS103194SE02-2	NUTPLATE- (V80539) (SPEC BACN10KE3E2CM) (OPT F51751-3-2DL (V15653)) (OPT 104F9216-2-3 (V72962)) (OPT BRFR120C3-2M (V52828))	AN-BH	1

71-11-33

 ILLUSTRATED PARTS LIST
 01.1 Page 1068X
 Jul 01/04


BOEING
 COMPONENT
 MAINTENANCE MANUAL

FIG. & ITEM	PART NO.	AIRLINE PART NUMBER	NOMENCLATURE 1234567	EFF CODE	QTY PER ASSY
12-317	315T3305-115	SUPPORT ASSY- (USED ON ITEMS 297A, 297B, 297C)	AN,AQ ,AS,A U,AW, AY,BA ,BC BE,BG	1
-319	315T3305-116	SUPPORT ASSY- (USED ON ITEMS 299A, 299B, 299C)	AP,AR ,AT,A V,AX, AZ,BB ,BD BF,BH	1
321	BACR15BA3AD	RIVET- (SIZE DETERMINE ON INST)	AN-BH	2
323	NS103194SE02-2	NUTPLATE- (V80539) (SPEC BACN10KE3E2CM) (OPT F51751-3-2DL (V15653)) (OPT 104F9216-2-3 (V72962)) (OPT BRFR120C3-2M (V52828))	AN-BH	1
325	BACR15FT6KE	RIVET- (SIZE DETERMINE ON INST) (ITEM 325 OPT TO ITEM 327 TOGETHER WITH ITEM 329)	AN-BH	10
327	BACB30MY6K	BOLT- (SIZE DETERMINE ON INST) (ITEM 325 OPT TO ITEM 327 TOGETHER WITH ITEM 329)	AN-BH	10

71-11-33

 ILLUSTRATED PARTS LIST
 01.1 Page 1068Y
 Jul 01/04

FIG. & ITEM	PART NO.	AIRLINE PART NUMBER	NOMENCLATURE 1234567	EFF CODE	QTY PER ASSY
12-329	KFN600-6S	NUT- (V15653) (SPEC BACN10XJ6) (OPT BH00309-6 (V27238)) (OPT BH00309-6S (V27238)) (OPT KFN600-6 (V15653)) (OPT KFN600-6 (V56878)) (ITEM 325 OPT TO ITEM 327 TOGETHER WITH ITEM 329)	AN-BH	10
331	315T3305-79	SUPPORT ASSY	AN,AQ ,AS,A U,AW, AY,BA ,BC BE,BG	1
-333	315T3305-80	SUPPORT ASSY	AP,AR ,AT,A V,AX, AZ,BB ,BD BF,BH	1
335	BACR15BA3AD	RIVET- (SIZE DETERMINE ON INST)	AN-BH	2
337	NS103191SE02-2	NUTPLATE- (V80539) (SPEC BACN10KE3B2CM) (OPT F51747-3-2DL (V15653)) (OPT 104F9213-2-3 (V72962)) (OPT BRFR220C3-2M (V52825))	AN-BH	1

71-11-33

 ILLUSTRATED PARTS LIST
 01.1 Page 1068Z
 Jul 01/04


BOEING
 COMPONENT
 MAINTENANCE MANUAL

FIG. & ITEM	PART NO.	AIRLINE PART NUMBER	NOMENCLATURE 1234567	EFF CODE	QTY PER ASSY
12-339	315T3305-75	SUPPORT ASSY	AN,AQ ,AS,A U,AW, AY,BA ,BC BE,BG	1
-341	315T3305-76	SUPPORT ASSY	AP,AR ,AT,A V,AX, AZ,BB ,BD BF,BH	1
343	BACR15BA3AD	RIVET- (SIZE DETERMINE ON INST)	AN-BH	4
345	NS103191SE02-2	NUTPLATE- (V80539) (SPEC BACN10KE3B2CM) (OPT F51747-3-2DL (V15653)) (OPT 104F9213-2-3 (V72962)) (OPT BRFR220C3-2M (V52825))	AN-BH	1
347	NS103194SE02-2	NUTPLATE- (V80539) (SPEC BACN10KE3E2CM) (OPT F51751-3-2DL (V15653)) (OPT 104F9216-2-3 (V72962)) (OPT BRFR120C3-2M (V52828))	AN-BH	1

71-11-33

ILLUSTRATED PARTS LIST

01.1

Page 1069

Jul 01/04

FIG. & ITEM	PART NO.	AIRLINE PART NUMBER	NOMENCLATURE 1234567	EFF CODE	QTY PER ASSY
12-349	315T3305-71	SUPPORT ASSY	AN,AQ ,AS,A U,AW, AY,BA ,BC BE,BG	1
-351	315T3305-72	SUPPORT ASSY	AP,AR ,AT,A V,AX, AZ,BB ,BD BF,BH	1
353	BACR15BA3AD	RIVET- (SIZE DETERMINE ON INST)	AN-BH	4
355	NS103191SE02-2	NUTPLATE- (V80539) (SPEC BACN10KE3B2CM) (OPT F51747-3-2DL (V15653)) (OPT 104F9213-2-3 (V72962)) (OPT BRFR220C3-2M (V52825))	AN-BH	1
357	NS103194SE02-2	NUTPLATE- (V80539) (SPEC BACN10KE3E2CM) (OPT F51751-3-2DL (V15653)) (OPT 104F9216-2-3 (V72962)) (OPT BRFR120C3-2M (V52828))	AN-BH	1
359	315T3305-67	SUPPORT ASSY	AN,AQ ,AS,A U,AW, AY,BA ,BC BE,BG	1

71-11-33

 ILLUSTRATED PARTS LIST
 01.1 Page 1070
 Jul 01/04


BOEING
 COMPONENT
 MAINTENANCE MANUAL

FIG. & ITEM	PART NO.	AIRLINE PART NUMBER	NOMENCLATURE 1234567	EFF CODE	QTY PER ASSY
12- -361	315T3305-68	SUPPORT ASSY	AP,AR ,AT,A V,AX, AZ,BB ,BD BF,BH AN-BH	1
363	BACR15BA3AD	RIVET- (SIZE DETERMINE ON INST)		4
365	NS103191SE02-2	NUTPLATE- (V80539) (SPEC BACN10KE3B2CM) (OPT F51747-3-2DL (V15653)) (OPT 104F9213-2-3 (V72962)) (OPT BRFR220C3-2M (V52825))	AN-BH	1
367	NS103194SE02-2	NUTPLATE- (V80539) (SPEC BACN10KE3E2CM) (OPT F51751-3-2DL (V15653)) (OPT 104F9216-2-3 (V72962)) (OPT BRFR120C3-2M (V52828))	AN-BH	1
369	315T3305-63	SUPPORT ASSY	AN,AQ ,AS,A U,AW, AY,BA ,BC BE,BG	1
-371	315T3305-64	SUPPORT ASSY	AP,AR ,AT,A V,AX, AZ,BB ,BD BF,BH AN-BH	1
373	BACR15BA3AD	RIVET- (SIZE DETERMINE ON INST)		4

71-11-33

 ILLUSTRATED PARTS LIST
 01.1 Page 1070A
 Jul 01/04

FIG. & ITEM	PART NO.	AIRLINE PART NUMBER	NOMENCLATURE 1234567	EFF CODE	QTY PER ASSY
12-375	NS103191SE02-2	NUTPLATE- (V80539) (SPEC BACN10KE3B2CM) (OPT F51747-3-2DL (V15653)) (OPT 104F9213-2-3 (V72962)) (OPT BRFR220C3-2M (V52825))	AN,BH	1
377	NS103194SE02-2	NUTPLATE- (V80539) (SPEC BACN10KE3E2CM) (OPT F51751-3-2DL (V15653)) (OPT 104F9216-2-3 (V72962)) (OPT BRFR120C3-2M (V52828))	AN,BH	1
379	315T3305-59	SUPPORT ASSY	AN,AQ ,AS,A U,AW, AY,BA ,BC BE,BG	1
-381	315T3305-60	SUPPORT ASSY	AP,AR ,AT,A V,AX, AZ,BB ,BD BF,BH	1

71-11-33

 ILLUSTRATED PARTS LIST
 01.1 Page 1070B
 Jul 01/04

BOEING
 COMPONENT
 MAINTENANCE MANUAL

FIG. & ITEM	PART NO.	AIRLINE PART NUMBER	NOMENCLATURE 1234567	EFF CODE	QTY PER ASSY
12-383	BACR15BA3AD	RIVET- (SIZE DETERMINE ON INST)	AN-BH	4
385	NS103191SE02-2	NUTPLATE- (V80539) (SPEC BACN10KE3B2CM) (OPT F51747-3-2DL (V15653)) (OPT 104F9213-2-3 (V72962)) (OPT BRFR220C3-2M (V52825))	AN-BH	1
387	NS103194SE02-2	NUTPLATE- (V80539) (SPEC BACN10KE3E2CM) (OPT F51751-3-2DL (V15653)) (OPT 104F9216-2-3 (V72962)) (OPT BRFR120C3-2M (V52828))	AN-BH	1
-389	315T3307-23		..FAIRING INSTL-UPR BIFURCATION TRACK	AN,AQ ,AS,A U,AW, AY,BA ,BC BE,BG	1
-391	315T3307-24		..FAIRING INSTL-UPR BIFURCATION TRACK	AP,AR ,AT,A V,AX, AZ,BB ,BD BF,BH	1

71-11-33

ILLUSTRATED PARTS LIST
 01.1 Page 1070C
 Jul 01/04

FIG. & ITEM	PART NO.	AIRLINE PART NUMBER	NOMENCLATURE 1234567	EFF CODE	QTY PER ASSY
12- -393	315T3307-5001		...FAIRING INSTL-REWORK (LIMITED)	AN,AQ ,AS,A U,AW, AY,BA ,BC BE,BG	1
-393A	315T3307-5003		...FAIRING INSTL- (LIMITED)	AN,AQ ,AS,A U,AW, AY,BA ,BC BE,BG	1
-393B	315T3307-5005		...FAIRING INSTL- (LIMITED)	AN,AQ ,AS,A U,AW, AY,BA ,BC BE,BG	1
-395	315T3307-5002		...FAIRING INSTL-REWORK (LIMITED)	AP,AR ,AT,A V,AX, AZ,BB ,BD BF,BH	1
-395A	315T3307-5004		...FAIRING INSTL- (LIMITED)	AP,AR ,AT,A V,AX, AZ,BB ,BD BF,BH	1
-395B	315T3307-5006		...FAIRING INSTL- (LIMITED)	AP,AR ,AT,A V,AX, AZ,BB ,BD BF,BH	1

71-11-33

 ILLUSTRATED PARTS LIST
 01.1 Page 1070D
 Jul 01/04

 **BOEING**
 COMPONENT
 MAINTENANCE MANUAL

FIG. & ITEM	PART NO.	AIRLINE PART NUMBER	NOMENCLATURE 1234567	EFF CODE	QTY PER ASSY
12-397	BACR15BA3AD	RIVET- (SIZE DETERMINE ON INST) (USED ON ITEMS 393, 395)	AN-BH	2
399	BRF100C3D	NUTPLATE- (V52828) (SPEC BACN10KB3CFD) (OPT F51604-3 (V15653)) (OPT 102F9207P3 (V72962)) (OPT F51604-3 (V15653)) (USED ON ITEMS 393, 395)	AN-BH	1
401	BACS40R007D011F	SHIM	AN-BH	1
403	315T3307-25	FAIRING ASSY- (USED ON ITEM 393)	AN,AQ ,AS,A U,AW, AY,BA ,BC BE,BG	1
-403A	315T3307-43	FAIRING ASSY- (USED ON ITEM 393A)	AN,AQ ,AS,A U,AW, AY,BA ,BC BE,BG	1
-403B	315T3307-49	FAIRING ASSY- (USED ON ITEM 393B)	AN,AQ ,AS,A U,AW, AY,BA ,BC BE,BG	1

71-11-33

ILLUSTRATED PARTS LIST
 01.1 Page 1070E
 Jul 01/04

FIG. & ITEM	PART NO.	AIRLINE PART NUMBER	NOMENCLATURE 1234567	EFF CODE	QTY PER ASSY
12-405	315T3307-26	FAIRING ASSY- (USED ON ITEM 395)	AP,AR ,AT,A V,AX, AZ,BB ,BD BF,BH	1
-405A	315T3307-44	FAIRING ASSY- (USED ON ITEM 395A)	AP,AR ,AT,A V,AX, AZ,BB ,BD BF,BH	1
-405B	315T3307-50	FAIRING ASSY- (USED ON ITEM 395B)	AP,AR ,AT,A V,AX, AZ,BB ,BD BF,BH	1
407	BACB30LR2-3	BOLT	AN-BH	1
409	BACB30LR2-2	BOLT- (OPT ITEM 409A)	AN-BH	10
-409A	BACB30LH2-2	BOLT- (OPT ITEM 409)	AN-BH	10
411	BACR15CE5KE	RIVET- (SIZE DETERMINE ON INST)	AN-BH	7
413	BACR15BA3AD	RIVET- (SIZE DETERMINE ON INST)	AN-BH	48
415	BR2000C3M	NUTPLATE- (V52828) (SPEC BACN10JR3CM) (OPT K1001-3BAC (V15653)) (OPT NS103202SE02 (V80539)) (OPT T8089C1032 (V11815)) (OPT VN102D1-02 (V92215)) (OPT 109A9201-3 (V72962))	AN-BH	1

71-11-33

 ILLUSTRATED PARTS LIST
 01.1 Page 1070F
 Jul 01/04


BOEING
 COMPONENT
 MAINTENANCE MANUAL

FIG. & ITEM	PART NO.	AIRLINE PART NUMBER	NOMENCLATURE 1234567	EFF CODE	QTY PER ASSY
12-417	NS103191SE02-3	NUTPLATE- (V80539) (SPEC BACN10KE3B3CM) (OPT F51747-3-3DL (V15653)) (OPT BRFR220C3-3M (V52828)) (OPT 104F9213-3-3 (V72962))	AN-BH	12
419	109F9201M82	NUTPLATE- (V72962) (SPEC BACN10JN08CM) (OPT BRFM20C08M (V52828)) (OPT MF1001-08BAC (V15653)) (OPT NS103218SE82 (V80539)) (OPT VN252D82 (V92215)) (OPT 109F9201M82 (V72962)) (OPT T8125C08C (V11815))	AN-BH	11
421	BACR15BA3AD	RIVET- (SIZE DETERMINE ON INST) (USED ON ITEMS 403A, 403B, 405A, 405B)	AN-BH	2
423	BRF100C3D	NUTPLATE- (V52828) (SPEC BACN10KB3CFD) (OPT F51604-3 (V15653)) (OPT 102F9207P3 (V72962)) (OPT F51604-3 (V15653)) (USED ON ITEMS 403A, 403B, 405A, 405B)	AN-BH	1

71-11-33

 ILLUSTRATED PARTS LIST
 01.1 Page 1070G
 Jul 01/04

FIG. & ITEM	PART NO.	AIRLINE PART NUMBER	NOMENCLATURE 1234567	EFF CODE	QTY PER ASSY
12-425 427	315T3307-38 HL11VAZ8-12	STRIP-RUB ..BOLT- (V60516) (SPEC BACB30NW8K12) (OPT B30NW8K12 (V97928)) (OPT HL11VAZ8-12 (V73197)) (OPT HL11VAZ8-12 (V92215)) (OPT HL11VAZ8-12 (V97928)) (OPT L803-8K12 (V06725)) (OPT HL11VAZ8-12 (V0PTK6)) (OPT HL11VAZ8-12 (V56878))	AN-BH AN-BH	1 6
429	HL79-8		..COLLAR- (V5M902) (SPEC BACC30M8) (OPT HL79-8 (V73197)) (OPT HL79-8 (V92215)) (OPT 66014-8 (V56878)) (OPT HL79-8 (V56878))	AN-BH	6
431 433	BACS40R11B61F NAS623-3-21		..SHIM ..SCREW	AN-BH AN,AQ ,AS,A U,AW, AY,BA ,BC BE,BG	AR 1

71-11-33

 ILLUSTRATED PARTS LIST
 01.1 Page 1070H
 Jul 01/04

BOEING
 COMPONENT
 MAINTENANCE MANUAL

FIG. & ITEM	PART NO.	AIRLINE PART NUMBER	NOMENCLATURE	EFF CODE	QTY PER ASSY
12-435	NAS623-3-20		1234567 ..SCREW	AP,AR ,AT,A V,AX, AZ,BB ,BD BF,BH	1
437	NAS623-3-20		..SCREW	AN-BH	1
439	AN960PD10		..WASHER	AN-BH	2
441	BRH10C3M		..NUT- (V52828) (SPEC BACN10JC3CM) (OPT T6C1032JM (V11815)) (OPT 97E02 (V80539)) (OPT 109LH9075-3W (V72962)) (OPT VN303D02 (V92215)) (OPT NS202101SE02 (V80539)) (OPT H01-3BAC (V15653))	AN-BH	2
443	HL13VAZ6-19		..BOLT- (V56878) (SPEC BACB30NY6K19) (OPT HL13VAZ6-19 (V73197)) (OPT HL13VAZ6-19 (V92215)) (OPT HL13VAZ6-19 (V97928)) (OPT L801-6K19 (V06725)) (OPT HL13VAZ6-19 (V08524)) (OPT HL13V19 (V06725)) (OPT HL13VAZ6-19 (V17446))	AN,AQ ,AS,A U,AW, AY,BA ,BC BE,BG	1

71-11-33

ILLUSTRATED PARTS LIST
 01.1 Page 1070I
 Jul 01/04

FIG. & ITEM	PART NO.	AIRLINE PART NUMBER	NOMENCLATURE 1234567	EFF CODE	QTY PER ASSY
12- -445	HL13VAZ6-18		..BOLT- (V56878) (SPEC BACB30NY6K18) (OPT HL13VAZ6-18 (V73197)) (OPT HL13VAZ6-18 (V92215)) (OPT HL13VAZ6-18 (V97928)) (OPT L801-6K18 (V06725)) (OPT HL13VAZ6-18 (V08524)) (OPT HL13V18 (V06725)) (OPT HL13VAZ6-18 (V17446))	AP,AR ,AT,A V,AX, AZ,BB ,BD BF,BH	1
447	HL13VAZ6-18		..BOLT- (V56878) (SPEC BACB30NY6K18) (OPT HL13VAZ6-18 (V73197)) (OPT HL13VAZ6-18 (V92215)) (OPT HL13VAZ6-18 (V97928)) (OPT L801-6K18 (V06725)) (OPT HL13VAZ6-18 (V08524)) (OPT HL13V18 (V06725)) (OPT HL13VAZ6-18 (V17446))	AN-BH	2
449	HL10VAZ6-19		..BOLT- (V60516) (SPEC BACB30MY6K19) (OPT B30MY6K19 (V97928))	AN-BH	14
451	HL10VAZ6-18		..BOLT- (V60516) (SPEC BACB30MY6K18) (OPT B30MY6K18 (V97928))	AN-BH	9

71-11-33

 ILLUSTRATED PARTS LIST
 01.1 Page 1070J
 Jul 01/04


BOEING
 COMPONENT
 MAINTENANCE MANUAL

FIG. & ITEM	PART NO.	AIRLINE PART NUMBER	NOMENCLATURE 1234567	EFF CODE	QTY PER ASSY
12-453	HL10VAZ6-17		..BOLT- (V60516) (SPEC BACB30MY6K17) (OPT B30MY6K17 (V97928))	AN-BH	6
455	HL10VAZ6-16		..BOLT- (V60516) (SPEC BACB30MY6K16) (OPT B30MY6K16 (V97928))	AN-BH	5
457	L8006-15		..BOLT- (V06725) (SPEC BACB30MY6K15) (OPT HL10VAZ6-15 (V0PTK6))	AN-BH	4
459	HL10VAZ6-14		..BOLT- (V60516) (SPEC BACB30MY6K14) (OPT B30MY6K14 (V97928))	AN-BH	2
461	HL11VAZ6-13		..BOLT- (V60516) (SPEC BACB30NW6K13) (OPT B30NW6K13 (V97928)) (OPT HL11VAZ6-13 (V73197)) (OPT HL11VAZ6-13 (V92215)) (OPT HL11VAZ6-13 (V97928)) (OPT L803-6K13 (V06725)) (OPT HL11VAZ6-13 (V0PTK6)) (OPT HL11VAZ6-13 (V56878))	AN-BH	2

71-11-33

 ILLUSTRATED PARTS LIST
 01.1 Page 1070K
 Jul 01/04

FIG. & ITEM	PART NO.	AIRLINE PART NUMBER	NOMENCLATURE 1234567	EFF CODE	QTY PER ASSY
12-463	HL11VAZ6-12		..BOLT- (V60516) (SPEC BACB30NW6K12) (OPT B30NW6K12 (V97928)) (OPT HL11VAZ6-12 (V73197)) (OPT HL11VAZ6-12 (V92215)) (OPT HL11VAZ6-12 (V97928)) (OPT L803-6K12 (V06725)) (OPT HL11VAZ6-12 (V0PTK6)) (OPT HL11VAZ6-12 (V56878))	AN-BH	2
465	HL79-6		..COLLAR- (V5M902) (SPEC BACC30M6) (OPT HL79-6 (V73197)) (OPT HL79-6 (V92215)) (OPT 66014-6 (V56878)) (OPT HL79-6 (V56878))	AN-BH	19
467	HL82-6APBW		..COLLAR- (V5M902) (SPEC BACC30AG6) (OPT HL82-6APBW (V92215)) (OPT HL82-6APBW (V56878)) (OPT HL82-6APBW (V73197))	AN-BH	28

71-11-33

 ILLUSTRATED PARTS LIST
 01.1 Page 1070L
 Jul 01/04


BOEING
 COMPONENT
 MAINTENANCE MANUAL

FIG. & ITEM	PART NO.	AIRLINE PART NUMBER	NOMENCLATURE 1234567	EFF CODE	QTY PER ASSY
12-469	HL1012AZ6-19		..BOLT- (V97928) (SPEC BACB30NX6K19) (OPT HL12VAZ6-19 (V73197)) (OPT HL12VAZ6-19 (V92215)) (OPT HL12VAZ6-19 (V97928)) (OPT L802-6K19 (V06725)) (OPT HL12VAZ6-19 (V56878)) (OPT HL1012AZ6-19 (V0PTK6)) (OPT HL1012AZ6-19 (V06725)) (OPT HL1012AZ6-19 (V06950)) (OPT HL1012AZ6-19 (V17446)) (OPT HL1012AZ6-19 (V56878)) (OPT HL1012AZ6-19 (V60516)) (OPT HL1012AZ6-19 (V73197))	AN-BH	7

71-11-33

 ILLUSTRATED PARTS LIST
 01.1 Page 1070M
 Jul 01/04

FIG. & ITEM	PART NO.	AIRLINE PART NUMBER	NOMENCLATURE 1234567	EFF CODE	QTY PER ASSY
12-471	HL1012AZ6-13		..BOLT- (V97928) (SPEC BACB30NX6K13) (OPT HL12VAZ6-13 (V73197)) (OPT HL12VAZ6-13 (V92215)) (OPT HL12VAZ6-13 (V97928)) (OPT L802-6K13 (V06725)) (OPT HL1012AZ6-13 (V0PTK6)) (OPT HL1012AZ6-13 (V06725)) (OPT HL1012AZ6-13 (V06950)) (OPT HL1012AZ6-13 (V17446)) (OPT HL1012AZ6-13 (V56878)) (OPT HL1012AZ6-13 (V60516)) (OPT HL1012AZ6-13 (V73197)) (OPT HL12VAZ6-13 (V56878))	AN-BH	2
473	HL1187DUW6		..COLLAR- (V5M902) (SPEC BACC30X6SW) (OPT HL87DUW6 (V73197)) (OPT HL87DUW6 (V92215)) (OPT HL1187DUW6 (V56878)) (OPT HL1187DUW6 (V92215)) (OPT HL87DUW6 (V56878)) (OPT HL1187DUW6 (V73197))	AN-BH	9

71-11-33

 ILLUSTRATED PARTS LIST
 01.1 Page 1070N
 Jul 01/04


BOEING
 COMPONENT
 MAINTENANCE MANUAL

FIG. & ITEM	PART NO.	AIRLINE PART NUMBER	NOMENCLATURE 1234567	EFF CODE	QTY PER ASSY
12-475	HL1012AZ8-19		..BOLT- (V97928) (SPEC BACB30NX8K19) (OPT HL12VAZ8-19 (V73197)) (OPT HL12VAZ8-19 (V92215)) (OPT HL12VAZ8-19 (V97928)) (OPT L802-8K19 (V06725)) (OPT HL12VAZ8-19 (V56878)) (OPT HL1012AZ8-19 (V73197)) (OPT HL1012AZ8-19 (V60516)) (OPT HL1012AZ8-19 (V56878)) (OPT HL1012AZ8-19 (V17446)) (OPT HL1012AZ8-19 (V06950)) (OPT HL1012AZ8-19 (V06725)) (OPT HL1012AZ8-19 (V0PTK6))	AN-BH	4
477	HL1187DUW8		..COLLAR- (V5M902) (SPEC BACC30X8SW) (OPT HL87DUW8 (V73197)) (OPT HL87DUW8 (V92215)) (OPT HL1187DUW8 (V56878)) (OPT HL1187DUW8 (V92215)) (OPT HL87DUW8 (V56878)) (OPT HL1187DUW8 (V73197))	AN-BH	4

71-11-33

ILLUSTRATED PARTS LIST

01.1 Page 10700

Jul 01/04

FIG. & ITEM	PART NO.	AIRLINE PART NUMBER	NOMENCLATURE 1234567	EFF CODE	QTY PER ASSY
12-479	HL10VAZ5-22		..BOLT- (V60516) (SPEC BACB30MY5K22) (OPT B30MY5K22 (V97928))	AN-BH	2
481	HL10VAZ5-21		..BOLT- (V60516) (SPEC BACB30MY5K21) (OPT B30MY5K21 (V97928))	AN-BH	1
483	HL10VAZ5-18		..BOLT- (V60516) (SPEC BACB30MY5K18) (OPT B30MY5K18 (V97928))	AN-BH	21
485	HL10VAZ5-17		..BOLT- (V60516) (SPEC BACB30MY5K17) (OPT B30MY5K17 (V97928))	AN-BH	17
487	HL10VAZ5-16		..BOLT- (V60516) (SPEC BACB30MY5K16) (OPT B30MY5K16 (V97928))	AN-BH	1
489	HL10VAZ5-15		..BOLT- (V60516) (SPEC BACB30MY5K15) (OPT B30MY5K15 (V97928))	AN-BH	2

71-11-33

 ILLUSTRATED PARTS LIST
 01.1 Page 1070P
 Jul 01/04


BOEING
 COMPONENT
 MAINTENANCE MANUAL

FIG. & ITEM	PART NO.	AIRLINE PART NUMBER	NOMENCLATURE 1234567	EFF CODE	QTY PER ASSY
12-491	HL10VAZ5-14		..BOLT- (V60516) (SPEC BACB30MY5K14) (OPT B30MY5K14 (V97928))	AN-BH	2
493	HL10VAZ5-13		..BOLT- (V60516) (SPEC BACB30MY5K13) (OPT B30MY5K13 (V97928))	AN-BH	2
495	HL10VAZ5-12		..BOLT- (V60516) (SPEC BACB30MY5K12) (OPT B30MY5K12 (V97928))	AN-BH	2
497	HL10VAZ5-11		..BOLT- (V60516) (SPEC BACB30MY5K11) (OPT B30MY5K11 (V97928))	AN-BH	2
499	HL10VAZ5-10		..BOLT- (V60516) (SPEC BACB30MY5K10) (OPT B30MY5K10 (V97928))	AN-BH	1
501	HL10VAZ5-5		..BOLT- (V60516) (SPEC BACB30MY5K5) (OPT B30MY5K5 (V97928))	AN-BH	1

71-11-33

 ILLUSTRATED PARTS LIST
 01.1 Page 1070Q
 Jul 01/04

FIG. & ITEM	PART NO.	AIRLINE PART NUMBER	NOMENCLATURE 1234567	EFF CODE	QTY PER ASSY
12-503	HL10VAZ5-3		..BOLT- (V60516) (SPEC BACB30MY5K3) (OPT B30MY5K3 (V97928))	AN-BH	5
505	HL10VAZ5-2		..BOLT- (V60516) (SPEC BACB30MY5K2) (OPT B30MY5K2 (V97928))	AN-BH	4
507	HL70-5		..COLLAR- (V5M902) (SPEC BACC30M5) (OPT HL70-5 (V73197)) (OPT HL70-5 (V92215)) (OPT 66014-5 (V56878)) (OPT HL70-5 (V56878))	AN-BH	49
509	HL82-5APBW		..COLLAR- (V73197) (SPEC BACC30AG5) (OPT HL82-5APBW (V56878))	AN-BH	14
511	NAS1398CW6-3		..RIVET	AN-BH	1
513	NAS1398CW5-3		..RIVET	AN-BH	1
515	BACR15CE6KE		..RIVET- (SIZE DETERMINE ON INST)	AN-BH	1
517	BACR15CE5KE		..RIVET- (SIZE DETERMINE ON INST)	AN-BH	1
519	315T3007-3		..FAIRING-FILLET	AN,AQ ,AS,A U,AW, AY,BA ,BC BE,BG	1

71-11-33


BOEING
 COMPONENT
 MAINTENANCE MANUAL

FIG. & ITEM	PART NO.	AIRLINE PART NUMBER	NOMENCLATURE 1234567	EFF CODE	QTY PER ASSY
12-521	HL1012AZ6-14		..BOLT- (V97928) (SPEC BACB30NX6K14) (OPT HL12VAZ6-14 (V73197)) (OPT HL12VAZ6-14 (V92215)) (OPT HL12VAZ6-14 (V97928)) (OPT L802-6K14 (V06725)) (OPT HL1012AZ6-14 (V0PTK6)) (OPT HL1012AZ6-14 (V06725)) (OPT HL1012AZ6-14 (V06950)) (OPT HL1012AZ6-14 (V17446)) (OPT HL1012AZ6-14 (V56878)) (OPT HL1012AZ6-14 (V60516)) (OPT HL1012AZ6-14 (V73197)) (OPT HL12VAZ6-14 (V56878))	AN-BH	1

71-11-33

 ILLUSTRATED PARTS LIST
 01.1 Page 1070S
 Jul 01/04

FIG. & ITEM	PART NO.	AIRLINE PART NUMBER	NOMENCLATURE 1234567	EFF CODE	QTY PER ASSY
12-523	HL1012AZ6-13		..BOLT- (V97928) (SPEC BACB30NX6K13) (OPT HL12VAZ6-13 (V73197)) (OPT HL12VAZ6-13 (V92215)) (OPT HL12VAZ6-13 (V97928)) (OPT L802-6K13 (V06725)) (OPT HL1012AZ6-13 (V0PTK6)) (OPT HL1012AZ6-13 (V06725)) (OPT HL1012AZ6-13 (V06950)) (OPT HL1012AZ6-13 (V17446)) (OPT HL1012AZ6-13 (V56878)) (OPT HL1012AZ6-13 (V60516)) (OPT HL1012AZ6-13 (V73197)) (OPT HL12VAZ6-13 (V56878))	AN-BH	2
525	HL82-6APBW		..COLLAR- (V5M902) (SPEC BACC30AG6) (OPT HL82-6APBW (V92215)) (OPT HL82-6APBW (V56878)) (OPT HL82-6APBW (V73197))	AN-BH	3
-527	332T3074-1		..TUBE INSTL-DRAIN	AP,AR ,AT,A V,AX, AZ,BB ,BD BF,BH	1

71-11-33

 ILLUSTRATED PARTS LIST
 01.1 Page 1070T
 Jul 01/04


BOEING
 COMPONENT
 MAINTENANCE MANUAL

FIG. & ITEM	PART NO.	AIRLINE PART NUMBER	NOMENCLATURE 1234567	EFF CODE	QTY PER ASSY
12-529	HL10VAZ6-24		...BOLT- (V60516) (SPEC BACB30MY6K24) (OPT B30MY6K24 (V97928))	AP,AR ,AT,A V,AX, AZ,BB ,BD BF,BH	1
531	BACW10BN3SP		...WASHER	AP,AR ,AT,A V,AX, AZ,BB ,BD BF,BH	1
533	NAS42DD6-19		...SPACER	AP,AR ,AT,A V,AX, AZ,BB ,BD BF,BH	1
535	BRH10C3M		...NUT- (V52828) (SPEC BACN10JC3CM) (OPT T6C1032JM (V11815)) (OPT 97E02 (V80539)) (OPT 109LH9075-3W (V72962)) (OPT VN303D02 (V92215)) (OPT NS202101SE02 (V80539)) (OPT H01-3BAC (V15653))	AP,AR ,AT,A V,AX, AZ,BB ,BD BF,BH	1

71-11-33

 ILLUSTRATED PARTS LIST
 01.1 Page 1070U
 Jul 01/04

FIG. & ITEM	PART NO.	AIRLINE PART NUMBER	NOMENCLATURE 1234567	EFF CODE	QTY PER ASSY
12-537	JM44LC13WS6R		...CLAMP- (V22175) (SPEC BACC10GE6) (OPT S369WH6 (V18076)) (OPT TA12C32WS6 (V84971)) (OPT 509S6 (V83930))	AP,AR ,AT,A V,AX, AZ,BB ,BD BF,BH	1
539	S258T16		...CLAMP- (V18076) (SPEC BACC10DW16S) (OPT TA4C44S16T (V84971)) (OPT 475CS16 (V83930)) (OPT 8084C16T (V72285))	AP,AR ,AT,A V,AX, AZ,BB ,BD BF,BH	1
541	BACS12CK3-24		...BOLT	AP,AR ,AT,A V,AX, AZ,BB ,BD BF,BH	2
543	BACW10BN3SP		...WASHER	AP,AR ,AT,A V,AX, AZ,BB ,BD BF,BH	2

71-11-33

ILLUSTRATED PARTS LIST

01.1 Page 1070V

Jul 01/04


BOEING
 COMPONENT
 MAINTENANCE MANUAL

FIG. & ITEM	PART NO.	AIRLINE PART NUMBER	NOMENCLATURE 1234567	EFF CODE	QTY PER ASSY
12-545	BACS18AN16		...SPACER- (V07073) (SPEC BACS18AN16) (OPT BACS18AN16 (V15805)) (OPT BACS18AN16 (V99648))	AP,AR ,AT,A V,AX, AZ,BB ,BD BF,BH	1
547	BRH10C3M		...NUT- (V52828) (SPEC BACN10JC3CM) (OPT T6C1032JM (V11815)) (OPT 97E02 (V80539)) (OPT 109LH9075-3W (V72962)) (OPT VN303D02 (V92215)) (OPT NS202101SE02 (V80539)) (OPT H01-3BAC (V15653))	AP,AR ,AT,A V,AX, AZ,BB ,BD BF,BH	2
549	JM44SC17S16R		...CLAMP- (V22175) (SPEC BACC10GF16H) (OPT S386H16 (V18076)) (OPT TA12C34S16 (V84971)) (OPT 512S16 (V83930))	AP,AR ,AT,A V,AX, AZ,BB ,BD BF,BH	1
551	BACS12CK3-8		...SCREW	AP,AR ,AT,A V,AX, AZ,BB ,BD BF,BH	4
553	BACW10BN3SP		...WASHER	AP,AR ,AT,A V,AX, AZ,BB ,BD BF,BH	1

71-11-33

ILLUSTRATED PARTS LIST

01.1 Page 1070W

Jul 01/04

FIG. & ITEM	PART NO.	AIRLINE PART NUMBER	NOMENCLATURE 1234567	EFF CODE	QTY PER ASSY
12-555	AN960C10L		...WASHER	AP,AR ,AT,A V,AX, AZ,BB ,BD BF,BH	3
557	BRH10C3M		...NUT- (V52828) (SPEC BACN10JC3CM) (OPT T6C1032JM (V11815)) (OPT 97E02 (V80539)) (OPT 109LH9075-3W (V72962)) (OPT VN303D02 (V92215)) (OPT NS202101SE02 (V80539)) (OPT H01-3BAC (V15653))	AP,AR ,AT,A V,AX, AZ,BB ,BD BF,BH	4
559	NAS514P1032-8P		...SCREW	AP,AR ,AT,A V,AX, AZ,BB ,BD BF,BH	5
561	NAS620C10L		...WASHER	AP,AR ,AT,A V,AX, AZ,BB ,BD BF,BH	5

71-11-33

ILLUSTRATED PARTS LIST

01.1 Page 1070X

Jul 01/04

BOEING
 COMPONENT
 MAINTENANCE MANUAL

FIG. & ITEM	PART NO.	AIRLINE PART NUMBER	NOMENCLATURE	EFF CODE	QTY PER ASSY
12-563	CR59083		1234567 ...NUT- (V62554) (SPEC BACN10HR3CS) (OPT H39953-3 (V15653)) (OPT SL7059C1032 (V11815)) (OPT 109LH9031-3 (V72962)) (OPT 67832AS1032 (V56878)) (OPT BMN5024CPD3-3 (V08524)) (OPT BH00303-3 (V27238)) (OPT BMN10HRCPD3-3 (V97928)) (OPT BH003033 (V27238)) (OPT BMN5024CPD33 (V97928)) (OPT SL705093 (V11815)) (OPT 109LH90313 (V72962)) (OPT 67832AS3 (V56878))	AP,AR ,AT,A V,AX, AZ,BB ,BD BF,BH	5
565	D4848-1		...SEAL- (V75345) (SPEC 60B90602-1)	AP,AR ,AT,A V,AX, AZ,BB ,BD BF,BH	1

71-11-33

ILLUSTRATED PARTS LIST
 01.1 Page 1070Y
 Jul 01/04

FIG. & ITEM	PART NO.	AIRLINE PART NUMBER	NOMENCLATURE 1234567	EFF CODE	QTY PER ASSY
12-567	AP1008-06JL		...CAP- (V01673) (SPEC BACC14AD06JL) (OPT DBOC14AD6JL (V14798)) (OPT FER22661-06JL (V14397)) (OPT 2-02813-04JL (V11328)) (OPT 4690009-06JL (V50948)) (OPT AFP241-06JL (V30974)) (OPT US2103-06JL (V50808))	AP,AR ,AT,A V,AX, AZ,BB ,BD BF,BH	1
569	332T3071-22		...TUBE ASSY	AP,AR ,AT,A V,AX, AZ,BB ,BD BF,BH	1
571	NAS1398CW5-3		..RIVET	AN-BH	1
573	NAS1398CW5-2		..RIVET	AN-BH	1
575	BACR15FT5KE5		..RIVET	AN-BH	2
577	BACR15FT5KE2		..RIVET	AN-BH	23
579	BACR15CE6KE		..RIVET- (SIZE DETERMINE ON INST)	AN-BH	1
581	BACR15CE5KE		..RIVET- (SIZE DETERMINE ON INST)	AN-BH	1
583	BACR15BB5AD3		..RIVET	AN-BH	1
585	HL10VAZ5-17		..BOLT- (V60516) (SPEC BACB30MY5K17) (OPT B30MY5K17 (V97928))	AN-BH	26

71-11-33

 ILLUSTRATED PARTS LIST
 01.1 Page 1070Z
 Jul 01/04


BOEING
 COMPONENT
 MAINTENANCE MANUAL

FIG. & ITEM	PART NO.	AIRLINE PART NUMBER	NOMENCLATURE 1234567	EFF CODE	QTY PER ASSY
12-587	HL10VAZ5-4		..BOLT- (V60516) (SPEC BACB30MY5K4) (OPT B30MY5K4 (V97928))	AN-BH	3
589	HL10VAZ5-3		..BOLT- (V60516) (SPEC BACB30MY5K3) (OPT B30MY5K3 (V97928))	AN-BH	3
591	HL70-5		..COLLAR- (V5M902) (SPEC BACC30M5) (OPT HL70-5 (V73197)) (OPT HL70-5 (V92215)) (OPT 66014-5 (V56878)) (OPT HL70-5 (V56878))	AN-BH	30
593	BRH10C08M		..NUT- (V52828) (SPEC BACN10JC08CM) (OPT T6C832JM (V11815)) (OPT 97E82 (V80539)) (OPT 109LH9075-82W (V72962)) (OPT VN303D82 (V92215)) (OPT NS202101SE82 (V80539)) (OPT H01-08BAC (V15653))	AN-BH	2

71-11-33

ILLUSTRATED PARTS LIST

01.1

Page 1071

Jul 01/04

FIG. & ITEM	PART NO.	AIRLINE PART NUMBER	NOMENCLATURE 1234567	EFF CODE	QTY PER ASSY
12-595	HL10VAZ6-20		..BOLT- (V60516) (SPEC BACB30MY6K20) (OPT B30MY6K20 (V97928))	AN-BH	2
597	HL79-6		..COLLAR- (V5M902) (SPEC BACC30M6) (OPT HL79-6 (V73197)) (OPT HL79-6 (V92215)) (OPT 66014-6 (V56878)) (OPT HL79-6 (V56878))	AN-BH	2
599	2ASPPFDT6-18		..COLLAR- (V17446)	AN-BH	6
601	ASPFSDT6		..SLEEVE- (V17446)	AN-BH	6
603	ASPLC2AC6		..COLLAR- (V17446)	AN-BH	6
605	315T3008-1		..FAIRING-FILLET	AN,AQ ,AS,A U,AW, AY,BA ,BC BE,BG	1
-607	315T3008-2		..FAIRING-FILLET	AP,AR ,AT,A V,AX, AZ,BB ,BD BF,BH	1

71-11-33

ILLUSTRATED PARTS LIST

01.1

Page 1072

Jul 01/04


BOEING
 COMPONENT
 MAINTENANCE MANUAL

FIG. & ITEM	PART NO.	AIRLINE PART NUMBER	NOMENCLATURE 1234567	EFF CODE	QTY PER ASSY
12-609	NAS1398CW5-3		..RIVET	AN-BH	1
611	BACR15BB5AD3		..RIVET	AN-BH	1
613	BACR15CE6KE		..RIVET- (SIZE DETERMINE ON INST)	AN-BH	8
615	HL10VAZ6-21		..BOLT- (V60516) (SPEC BACB30MY6K21) (OPT B30MY6K21 (V97928))	AN-BH	1
617	HL10VAZ6-20		..BOLT- (V60516) (SPEC BACB30MY6K20) (OPT B30MY6K20 (V97928))	AN-BH	9
619	HL10VAZ6-18		..BOLT- (V60516) (SPEC BACB30MY6K18) (OPT B30MY6K18 (V97928))	AN-BH	20
621	HL13VAZ6-21		..BOLT- (V56878) (SPEC BACB30NY6K21) (OPT HL13VAZ6-21 (V73197)) (OPT HL13VAZ6-21 (V92215)) (OPT HL13VAZ6-21 (V97928)) (OPT L801-6K21 (V06725)) (OPT HL13VAZ6-21 (V08524)) (OPT HL13V21 (V06725)) (OPT HL13VAZ6-21 (V17446))	AN-BH	1

71-11-33

 ILLUSTRATED PARTS LIST
 01.1 Page 1072A
 Jul 01/04

FIG. & ITEM	PART NO.	AIRLINE PART NUMBER	NOMENCLATURE 1234567	EFF CODE	QTY PER ASSY
12-623	HL79-6		..COLLAR- (V5M902) (SPEC BACC30M6) (OPT HL79-6 (V73197)) (OPT HL79-6 (V92215)) (OPT 66014-6 (V56878)) (OPT HL79-6 (V56878))	AN-BH	31
625	HL1012AZ8-10		..BOLT- (VOPTK6) (SPEC BACB30NX8K10) (OPT HL12VAZ8-10 (V73197)) (OPT HL12VAZ8-10 (V92215)) (OPT HL12VAZ8-10 (V97928)) (OPT L802-8K10 (V06725)) (OPT HL12VAZ8-10 (V56878)) (OPT HL1012AZ8-10 (V06725)) (OPT HL1012AZ8-10 (V06950)) (OPT HL1012AZ8-10 (V17446)) (OPT HL1012AZ8-10 (V56878)) (OPT HL1012AZ8-10 (V60516)) (OPT HL1012AZ8-10 (V73197)) (OPT HL1012AZ8-10 (V97928))	AN-BH	4

71-11-33

ILLUSTRATED PARTS LIST

01.1 Page 1072B

Jul 01/04


BOEING
 COMPONENT
 MAINTENANCE MANUAL

FIG. & ITEM	PART NO.	AIRLINE PART NUMBER	NOMENCLATURE 1234567	EFF CODE	QTY PER ASSY
12-627	HL1187DUW8		..COLLAR- (V5M902) (SPEC BACC30X8SW) (OPT HL87DUW8 (V73197)) (OPT HL87DUW8 (V92215)) (OPT HL1187DUW8 (V56878)) (OPT HL1187DUW8 (V92215)) (OPT HL87DUW8 (V56878)) (OPT HL1187DUW8 (V73197))	AN-BH	4
629	HL1012AZ6-10		..BOLT- (V97928) (SPEC BACB30NX6K10) (OPT HL12VAZ6-10 (V73197)) (OPT HL12VAZ6-10 (V92215)) (OPT HL12VAZ6-10 (V97928)) (OPT L802-6K10 (V06725)) (OPT HL12VAZ6-10 (V56878)) (OPT HL1012AZ6-10 (V0PTK6)) (OPT HL1012AZ6-10 (V06725)) (OPT HL1012AZ6-10 (V06950)) (OPT HL1012AZ6-10 (V17446)) (OPT HL1012AZ6-10 (V56878)) (OPT HL1012AZ6-10 (V60516)) (OPT HL1012AZ6-10 (V73197))	AN-BH	2

71-11-33

 ILLUSTRATED PARTS LIST
 01.1 Page 1072C
 Jul 01/04

FIG. & ITEM	PART NO.	AIRLINE PART NUMBER	NOMENCLATURE 1234567	EFF CODE	QTY PER ASSY
12-631	HL1187DUW6		..COLLAR- (V5M902) (SPEC BACC30X6SW) (OPT HL87DUW6 (V73197)) (OPT HL87DUW6 (V92215)) (OPT HL1187DUW6 (V56878)) (OPT HL1187DUW6 (V92215)) (OPT HL87DUW6 (V56878)) (OPT HL1187DUW6 (V73197))	AN-BH	2
633	HL13VAZ6-10		..BOLT- (V56878) (SPEC BACB30NY6K10) (OPT HL13VAZ6-10 (V73197)) (OPT HL13VAZ6-10 (V92215)) (OPT HL13VAZ6-10 (V97928)) (OPT L801-6K10 (V06725)) (OPT HL13VAZ6-10 (V08524)) (OPT HL13V10 (V06725)) (OPT HL13VAZ6-10 (V17446))	AN-BH	1

71-11-33

 ILLUSTRATED PARTS LIST
 01.1 Page 1072D
 Jul 01/04


BOEING
 COMPONENT
 MAINTENANCE MANUAL

FIG. & ITEM	PART NO.	AIRLINE PART NUMBER	NOMENCLATURE 1234567	EFF CODE	QTY PER ASSY
12-635	HL13VAZ6-9		..BOLT- (V56878) (SPEC BACB30NY6K9) (OPT HL13VAZ6-9 (V73197)) (OPT HL13VAZ6-9 (V92215)) (OPT HL13VAZ6-9 (V97928)) (OPT L801-6K9 (V06725)) (OPT HL13VAZ6-9 (V08524)) (OPT HL13V9 (V06725)) (OPT HL13VAZ6-9 (V17446))	AN-BH	1
637	HL13VAZ6-5		..BOLT- (V56878) (SPEC BACB30NY6K5) (OPT HL13VAZ6-5 (V73197)) (OPT HL13VAZ6-5 (V92215)) (OPT HL13VAZ6-5 (V97928)) (OPT L801-6K5 (V06725)) (OPT HL13VAZ6-5 (V08524)) (OPT HL13V5 (V06725)) (OPT HL13VAZ6-5 (V17446))	AN-BH	2

71-11-33

 ILLUSTRATED PARTS LIST
 01.1 Page 1072E
 Jul 01/04

FIG. & ITEM	PART NO.	AIRLINE PART NUMBER	NOMENCLATURE 1234567	EFF CODE	QTY PER ASSY
12-639	HL1187DU6		..COLLAR- (V5M902) (SPEC BACC30X6S) (OPT HL87DU6 (V73197)) (OPT HL87DU6 (V92215)) (OPT HL1187DU6 (V56878)) (OPT HL1187DU6 (V92215)) (OPT HL87DU6 (V56878)) (OPT HL1187DU6 (V73197))	AN-BH	4
641	ASPPFDT6-18		..PIN- (V17446)	AN-BH	2
643	ASPPSDT6		..SLEEVE- (V17446)	AN-BH	2
645	ASPLC2AC6		..COLLAR- (V17446)	AN-BH	2
647	BACB30MY6F18		..BOLT	AN-BH	3
649	H10-3BAC		..NUT- (V15653) (SPEC BACN10JC3) (OPT NS202101-02 (V80539)) (OPT RMLH9075-3W (V72962)) (OPT T6S1032J (V71087)) (OPT VN303A02 (V92215)) (OPT 96-02 (V80539)) (OPT BRH10A3 (V52828))	AN-BH	3
651	315T3400-210		..BIFURCATION ASSY-LWR (FOR DETAILS SEE FIG. 7)	AP,AR ,AT,A V,AX, AZ,BB ,BD BF,BH	1

71-11-33

 ILLUSTRATED PARTS LIST
 01.1 Page 1072F
 Jul 01/04


BOEING
 COMPONENT
 MAINTENANCE MANUAL

FIG. & ITEM	PART NO.	AIRLINE PART NUMBER	NOMENCLATURE 1234567	EFF CODE	QTY PER ASSY
12- 653 655 657	BACB30LH3-20 AN960-10 BRH10C3M		..BOLT ..WASHER ..NUT- (V52828) (SPEC BACN10JC3CM) (OPT T6C1032JM (V11815)) (OPT 97E02 (V80539)) (OPT 109LH9075-3W (V72962)) (OPT VN303D02 (V92215)) (OPT NS202101SE02 (V80539)) (OPT H01-3BAC (V15653))	AN-BH AN-BH AN-BH	1 1 1
659 661 663	BACB30LJ4-18 NAS1805-4N HL13VAZ6-20		..BOLT ..NUT ..BOLT- (V56878) (SPEC BACB30NY6K20) (OPT HL13VAZ6-20 (V73197)) (OPT HL13VAZ6-20 (V92215)) (OPT HL13VAZ6-20 (V97928)) (OPT L801-6K20 (V06725)) (OPT HL13VAZ6-20 (V08524)) (OPT HL13V20 (V06725)) (OPT HL13VAZ6-20 (V17446))	AN-BH AN-BH AN-BH	2 2 2
665	HL10VAZ6-5		..BOLT- (V60516) (SPEC BACB30MY6K5) (OPT B30MY6K5 (V97928))	AN-BH	4

71-11-33

ILLUSTRATED PARTS LIST

01.1 Page 1072G

Jul 01/04

FIG. & ITEM	PART NO.	AIRLINE PART NUMBER	NOMENCLATURE 1234567	EFF CODE	QTY PER ASSY
12-667	HL79-6		..COLLAR- (V5M902) (SPEC BACC30M6) (OPT HL79-6 (V73197)) (OPT HL79-6 (V92215)) (OPT 66014-6 (V56878)) (OPT HL79-6 (V56878))	AN-BH	6
669	HL13VAZ8-20		..BOLT- (V56878) (SPEC BACB30NY8K20) (OPT HL13VAZ8-20 (V73197)) (OPT HL13VAZ8-20 (V92215)) (OPT HL13VAZ8-20 (V97928)) (OPT L801-8K20 (V06725)) (OPT HL13VAZ8-20 (V08524)) (OPT HL13V20 (V06725)) (OPT HL13VAZ8-20 (V17446))	AN-BH	2
671	HL79-8		..COLLAR- (V5M902) (SPEC BACC30M8) (OPT HL79-8 (V73197)) (OPT HL79-8 (V92215)) (OPT 66014-8 (V56878)) (OPT HL79-8 (V56878))	AN-BH	2
673	315T3256-3		..PLATE-SPLICE	AN,AQ ,AS,A U,AW, AY,BA ,BC BE,BG	1

71-11-33

ILLUSTRATED PARTS LIST

01.1 Page 1072H

Jul 01/04


BOEING
 COMPONENT
 MAINTENANCE MANUAL

FIG. & ITEM	PART NO.	AIRLINE PART NUMBER	NOMENCLATURE 1234567	EFF CODE	QTY PER ASSY
12- -675	315T3256-4		..PLATE-SPLICE	AP,AR ,AT,A V,AX, AZ,BB ,BD BF,BH	1
677	315T3002-16		..STRAP	AN-BH	1
679	BACS40R10C17F		..SHIM	AN-BH	1
681	315T3409-1		..PAD ASSY-CPRSN FWD (OPT ITEM 681A)	AN,AQ ,AS,A U,AW, AY,BA ,BC BE,BG	1
-681A	315T3409-7		..PAD ASSY-CPRSN FWD (OPT ITEM 681)	AN,AQ ,AS,A U,AW, AY,BA ,BC BE,BG	1
-683	315T3409-2		..PAD ASSY-CPRSN FWD (OPT ITEM 683A)	AP,AR ,AT,A V,AX, AZ,BB ,BD BF,BH	1
-683A	315T3409-8		..PAD ASSY-CPRSN FWD (OPT ITEM 683)	AP,AR ,AT,A V,AX, AZ,BB ,BD BF,BH	1

71-11-33

ILLUSTRATED PARTS LIST

01.1 Page 1072I

Jul 01/04

FIG. & ITEM	PART NO.	AIRLINE PART NUMBER	NOMENCLATURE 1234567	EFF CODE	QTY PER ASSY
12-685	MS21209C0820P		...INSERT	AN,BH	2
687	315T3409-3		...FITTING-PAD (USED ON ITEM 681)	AN,AQ ,AS,A U,AW, AY,BA ,BC BE,BG	1
-687A	315T3409-9		...FITTING-PAD (USED ON ITEM 681A)	AN,AQ ,AS,A U,AW, AY,BA ,BC BE,BG	1
-689	315T3409-4		...FITTING-PAD (USED ON ITEM 683)	AP,AR ,AT,A V,AX, AZ,BB ,BD BF,BH	1
-689A	315T3409-10		...FITTING-PAD (USED ON ITEM 683A)	AP,AR ,AT,A V,AX, AZ,BB ,BD BF,BH	1
691	315T3204-7		..RING ASSY- (OPT ITEM 749) (PRE SB 767-78A0089)	AN,AQ ,AS,A U,AW, AY,BA ,BC BE,BG	1
-691A	315T3204-21		..RING ASSY- (POST SB 767-78A0089) (FOR DETAILS SEE FIG. 15)	AN,AQ ,AS,A U,AW, AY,BA ,BC BE,BG	1

71-11-33

 ILLUSTRATED PARTS LIST
 01.1 Page 1072J
 Jul 01/04


BOEING
 COMPONENT
 MAINTENANCE MANUAL

FIG. & ITEM	PART NO.	AIRLINE PART NUMBER	NOMENCLATURE 1234567	EFF CODE	QTY PER ASSY
12- -693	315T3204-8		..RING ASSY- (OPT ITEM 751) (PRE SB 767-78A0089)	AP,AR ,AT,A V,AX, AZ,BB ,BD BF,BH	1
-693A	315T3204-22		..RING ASSY- (POST SB 767-78A0089) (FOR DETAILS SEE FIG. 15)	AP,AR ,AT,A V,AX, AZ,BB ,BD BF,BH	1
695	BACR15CE6KE7		...RIVET	AN-BH	4
697	315T3222-2		...BUSHING	AN-BH	1
699	HL13VAZ6-4		...BOLT- (V56878) (SPEC BACB30NY6K4) (OPT HL13VAZ6-4 (V73197)) (OPT HL13VAZ6-4 (V92215)) (OPT HL13VAZ6-4 (V97928)) (OPT L801-6K4 (V06725)) (OPT HL13VAZ6-4 (V08524)) (OPT HL13V4 (V06725)) (OPT HL13VAZ6-4 (V17446))	AN-BH	72

71-11-33

ILLUSTRATED PARTS LIST

01.1 Page 1072K

Jul 01/04

FIG. & ITEM	PART NO.	AIRLINE PART NUMBER	NOMENCLATURE 1234567	EFF CODE	QTY PER ASSY
12-701	HL11VAZ6-3		...BOLT- (V60516) (SPEC BACB30NW6K3) (OPT B30NW6K3 (V97928)) (OPT HL11VAZ6-3 (V73197)) (OPT HL11VAZ6-3 (V92215)) (OPT HL11VAZ6-3 (V97928)) (OPT L803-6K3 (V06725)) (OPT HL11VAZ6-3 (V0PTK6)) (OPT HL11VAZ6-3 (V56878))	AN-BH	66
703	HL79-6		...COLLAR- (V5M902) (SPEC BACC30M6) (OPT HL79-6 (V73197)) (OPT HL79-6 (V92215)) (OPT 66014-6 (V56878)) (OPT HL79-6 (V56878))	AN-BH	138
705	315T3220-1		...STRIP-RUB	AN-BH	6
707	BACR15CE8KE20		...RIVET	AN-BH	5
709	BACR15BA8KE22		...RIVET	AN-BH	5
711	BACR15CE8KE17		...RIVET	AN-BH	5
713	BACR15BA8KE19		...RIVET	AN-BH	5

71-11-33

 ILLUSTRATED PARTS LIST
 01.1 Page 1072L
 Jul 01/04


BOEING
 COMPONENT
 MAINTENANCE MANUAL

FIG. & ITEM	PART NO.	AIRLINE PART NUMBER	NOMENCLATURE 1234567	EFF CODE	QTY PER ASSY
12-715	HL11VAZ6-5		...BOLT- (V60516) (SPEC BACB30NW6K5) (OPT HL11V6-5 (V92215)) (OPT HL11V6-5 (V97928)) (OPT L803-6-5 (V06725)) (OPT B30NW6K5 (V97928)) (OPT HL11VAZ6-5 (V73197)) (OPT HL11VAZ6-5 (V92215)) (OPT HL11VAZ6-5 (V56878))	AN-BH	4
717	HL10VAZ6-4		...BOLT- (V60516) (SPEC BACB30MY6K4) (OPT B30MY6K4 (V97928))	AN-BH	5
719	HL79-6		...COLLAR- (V5M902) (SPEC BACC30M6) (OPT HL79-6 (V73197)) (OPT HL79-6 (V92215)) (OPT 66014-6 (V56878)) (OPT HL79-6 (V56878))	AN-BH	9

71-11-33

 ILLUSTRATED PARTS LIST
 01.1 Page 1072M
 Jul 01/04

FIG. & ITEM	PART NO.	AIRLINE PART NUMBER	NOMENCLATURE 1234567	EFF CODE	QTY PER ASSY
12-					
721	BACS40R21B29F		...SHIM	AN-BH	AR
723	BACS40R22C65F		...SHIM	AN-BH	AR
725	BACS40R11B2833F		...SHIM	AN-BH	AR
727	BACS40R21B35F		...SHIM	AN-BH	AR
729	BACS40R22C58F		...SHIM	AN-BH	AR
731	BACS40R11B28F		...SHIM	AN-BH	AR
733	315T3216-1		...FITTING	AN,AQ ,AS,A U,AW, AY,BA ,BC BE,BG	1
-735	315T3216-2		...FITTING	AP,AR ,AT,A V,AX, AZ,BB ,BD BF,BH	1
737	315T3203-1		...FITTING	AN,AQ ,AS,A U,AW, AY,BA ,BC BE,BG	1
-739	315T3203-2		...FITTING	AP,AR ,AT,A V,AX, AZ,BB ,BD BF,BH	1

71-11-33

ILLUSTRATED PARTS LIST

01.1 Page 1072N

Jul 01/04


BOEING
 COMPONENT
 MAINTENANCE MANUAL

FIG. & ITEM	PART NO.	AIRLINE PART NUMBER	NOMENCLATURE 1234567	EFF CODE	QTY PER ASSY
12- -741	315T3664-1		...BUSHING INSTL-REWORK	AN,AQ ,AS,A U,AW, AY,BA ,BC BE,BG	1
-743	315T3664-2		...BUSHING INSTL-REWORK	AP,AR ,AT,A V,AX, AZ,BB ,BD BF,BH	1
745	BACR15CE6KE7	RIVET	AN-BH	4
747	315T3222-3	BUSHING	AN-BH	1
749	315T3204-5		..RING ASSY- (OPT ITEM 691) (PRE SB 767-78A0089)	AN,AQ ,AS,A U,AW, AY,BA ,BC BE,BG	1
-749A	315T3204-21		..RING ASSY- (POST SB 767-78A0089) (FOR DETAILS SEE FIG. 15)	AN,AQ ,AS,A U,AW, AY,BA ,BC BE,BG	1
-751	315T3204-6		..RING ASSY- (OPT ITEM 693) (PRE SB 767-78A0089)	AP,AR ,AT,A V,AX, AZ,BB ,BD BF,BH	1
-751A	315T3204-22		..RING ASSY- (POST SB 767-78A0089) (FOR DETAILS SEE FIG. 15)	AP,AR ,AT,A V,AX, AZ,BB ,BD BF,BH	1

71-11-33

ILLUSTRATED PARTS LIST

01.1 Page 10720

Jul 01/04

FIG. & ITEM	PART NO.	AIRLINE PART NUMBER	NOMENCLATURE 1234567	EFF CODE	QTY PER ASSY
12- -753	315T3204-5001		...RING ASSY- (LIMITED)	AN,AQ ,AS,A U,AW, AY,BA ,BC BE,BG	1
-753A	315T3204-5003		...RING ASSY- (LIMITED)	AN,AQ ,AS,A U,AW, AY,BA ,BC BE,BG	1
-753B	315T3204-5005		...RING ASSY- (LIMITED)	AN,AQ ,AS,A U,AW, AY,BA ,BC BE,BG	1
-753C	315T3204-5007		...RING ASSY- (LIMITED)	AN,AQ ,AS,A U,AW, AY,BA ,BC BE,BG	1
-753D	315T3204-5009		...RING ASSY- (LIMITED)	AN,AQ ,AS,A U,AW, AY,BA ,BC BE,BG	1
-755	315T3204-5002		...RING ASSY- (LIMITED)	AP,AR ,AT,A V,AX, AZ,BB ,BD BF,BH	1

71-11-33

 ILLUSTRATED PARTS LIST
 01.1 Page 1072P
 Jul 01/04


BOEING
 COMPONENT
 MAINTENANCE MANUAL

FIG. & ITEM	PART NO.	AIRLINE PART NUMBER	NOMENCLATURE 1234567	EFF CODE	QTY PER ASSY
12- -755A	315T3204-5004		...RING ASSY- (LIMITED)	AP,AR ,AT,A V,AX, AZ,BB ,BD BF,BH	1
-755B	315T3204-5006		...RING ASSY- (LIMITED)	AP,AR ,AT,A V,AX, AZ,BB ,BD BF,BH	1
-755C	315T3204-5008		...RING ASSY- (LIMITED)	AP,AR ,AT,A V,AX, AZ,BB ,BD BF,BH	1
-755D	315T3204-5010		...RING ASSY- (LIMITED)	AP,AR ,AT,A V,AX, AZ,BB ,BD BF,BH	1
757	BACR15CE6KE7	RIVET- (PRE SB 767-78A0089)	AN-BH	4
-757A	MS90353-0603	RIVET- (POST SB 767-78A0089)	AN-BH	4
759	315T3222-4	BUSHING- (USED ON ITEMS 753, 753A, 753B, 753C, 755, 755A, 755B, 755C) (PRE SB 767-78A0089)	AN-BH	1
-759A	315T3222-5	BUSHING- (USED ON ITEMS 753D, 755D) (PRE SB 767-78A0089)	AN-BH	1
760	315T3222-10	BUSHING- (POST SB 767-78A0089)	AN-BH	1

71-11-33

 ILLUSTRATED PARTS LIST
 01.1 Page 1072Q
 Jul 01/04

FIG. & ITEM	PART NO.	AIRLINE PART NUMBER	NOMENCLATURE 1234567	EFF CODE	QTY PER ASSY
12-761	HL13VAZ6-4	BOLT- (V56878) (SPEC BACB30NY6K4) (OPT HL13VAZ6-4 (V73197)) (OPT HL13VAZ6-4 (V92215)) (OPT HL13VAZ6-4 (V97928)) (OPT L801-6K4 (V06725)) (OPT HL13VAZ6-4 (V08524)) (OPT HL13V4 (V06725)) (OPT HL13VAZ6-4 (V17446))	AN-BH	72
763	HL11VAZ6-3	BOLT- (V60516) (SPEC BACB30NW6K3) (OPT B30NW6K3 (V97928)) (OPT HL11VAZ6-3 (V73197)) (OPT HL11VAZ6-3 (V92215)) (OPT HL11VAZ6-3 (V97928)) (OPT L803-6K3 (V06725)) (OPT HL11VAZ6-3 (V0PTK6)) (OPT HL11VAZ6-3 (V56878))	AN-BH	66
765	HL79-6	COLLAR- (V5M902) (SPEC BACC30M6) (OPT HL79-6 (V73197)) (OPT HL79-6 (V92215)) (OPT 66014-6 (V56878)) (OPT HL79-6 (V56878))	AN-BH	138

71-11-33

 ILLUSTRATED PARTS LIST
 01.1 Page 1072R
 Jul 01/04


BOEING
 COMPONENT
 MAINTENANCE MANUAL

FIG. & ITEM	PART NO.	AIRLINE PART NUMBER	NOMENCLATURE 1234567	EFF CODE	QTY PER ASSY
12-767	315T3220-1	STRIP-RUB	AN-BH	6
769	BACR15CE8KE20	RIVET	AN-BH	5
771	BACR15CE8KE22	RIVET	AN-BH	5
773	BACR15CE8KE17	RIVET	AN-BH	5
775	BACR15CE8KE19	RIVET	AN-BH	5
777	HL11VAZ6-5	BOLT- (V60516) (SPEC BACB30NW6K5) (OPT HL11V6-5 (V92215)) (OPT HL11V6-5 (V97928)) (OPT L803-6-5 (V06725)) (OPT B30NW6K5 (V97928)) (OPT HL11VAZ6-5 (V73197)) (OPT HL11VAZ6-5 (V92215)) (OPT HL11VAZ6-5 (V56878))	AN-BH	4
779	HL10VAZ6-4	BOLT- (V60516) (SPEC BACB30MY6K4) (OPT B30MY6K4 (V97928))	AN-BH	5
781	HL79-6	COLLAR- (V5M902) (SPEC BACC30M6) (OPT HL79-6 (V73197)) (OPT HL79-6 (V92215)) (OPT 66014-6 (V56878)) (OPT HL79-6 (V56878))	AN-BH	9

71-11-33

ILLUSTRATED PARTS LIST

01.1 Page 1072S

Jul 01/04

FIG. & ITEM	PART NO.	AIRLINE PART NUMBER	NOMENCLATURE 1234567	EFF CODE	QTY PER ASSY
12-783	BACS40R21B29F	SHIM	AN-BH	AR
785	BACS40R22C65F	SHIM	AN-BH	AR
787	BACS40R11B2833F	SHIM	AN-BH	AR
789	BACS40R21B35F	SHIM	AN-BH	AR
791	BACS40R22C58F	SHIM	AN-BH	AR
793	BACS40R11B28F	SHIM	AN-BH	AR
795	315T3216-3	FITTING- (USED ON ITEMS 753, 753A, 753B)	AN,AQ ,AS,A U,AW, AY,BA ,BC BE,BG	1
-795A	315T3216-7	FITTING- (USED ON ITEMS 753C, 753D)	AN,AQ ,AS,A U,AW, AY,BA ,BC BE,BG	1
-797	315T3216-4	FITTING- (USED ON ITEMS 755, 755A, 755B)	AP,AR ,AT,A V,AX, AZ,BB ,BD BF,BH	1
-797A	315T3216-8	FITTING- (USED ON ITEMS 755C, 755D)	AP,AR ,AT,A V,AX, AZ,BB ,BD BF,BH	1

71-11-33

 ILLUSTRATED PARTS LIST
 01.1 Page 1072T
 Jul 01/04


BOEING
 COMPONENT
 MAINTENANCE MANUAL

FIG. & ITEM	PART NO.	AIRLINE PART NUMBER	NOMENCLATURE 1234567	EFF CODE	QTY PER ASSY
12-799	315T3203-3	FITTING	AN,AQ ,AS,A U,AW, AY,BA ,BC BE,BG	1
-801	315T3203-4	FITTING	AP,AR ,AT,A V,AX, AZ,BB ,BD BF,BH	1
-803	315T3240-1		..SEAL INSTL-THRUST REVERSER AERODYN (FOR DETAILS SEE FIG. 8)	AN,AQ ,AS,A U,AW, AY,BA ,BC BE,BG	1
-805	315T3240-2		..SEAL INSTL-THRUST REVERSER AERODYN (FOR DETAILS SEE FIG. 8)	AP,AR ,AT,A V,AX, AZ,BB ,BD BF,BH	1
-807	315T3122-1		..DUCT INSTL-INLET FTG	AN,AQ ,AS,A U,AW, AY,BA ,BC BE,BG	1
809	NAS514P1032-8P		...SCREW	AN,AQ ,AS,A U,AW, AY,BA ,BC BE,BG	5

71-11-33

 ILLUSTRATED PARTS LIST
 01.1 Page 1072U
 Jul 01/04

FIG. & ITEM	PART NO.	AIRLINE PART NUMBER	NOMENCLATURE 1234567	EFF CODE	QTY PER ASSY
12-811	AN960PD10L		...WASHER	AN,AQ ,AS,A U,AW, AY,BA ,BC BE,BG	5
813	H10-3BAC		...NUT- (V15653) (SPEC BACN10JC3) (OPT NS202101-02 (V80539)) (OPT RMLH9075-3W (V72962)) (OPT T6S1032J (V71087)) (OPT VN303A02 (V92215)) (OPT 96-02 (V80539)) (OPT BRH10A3 (V52828))	AN,AQ ,AS,A U,AW, AY,BA ,BC BE,BG	5
815	D4848-1		...SEAL- (V75345) (SPEC 60B90602-1)	AN,AQ ,AS,A U,AW, AY,BA ,BC BE,BG	1
817	HL505-6-17		...BOLT- (V60516) (SPEC BACB30HA6R17) (OPT HL505-6-17 (V92215)) (OPT HL505-6-17 (V73197))	AN,AQ ,AS,A U,AW, AY,BA ,BC BE,BG	12
819	315T3122-3		...SHIM- (MFD FROM AL SH PER BAC1534-15 .015 IN .80 IN .80 IN)	AN,AQ ,AS,A U,AW, AY,BA ,BC BE,BG	12

71-11-33

 ILLUSTRATED PARTS LIST
 01.1 Page 1072V
 Jul 01/04


BOEING
 COMPONENT
 MAINTENANCE MANUAL

FIG. & ITEM	PART NO.	AIRLINE PART NUMBER	NOMENCLATURE 1234567	EFF CODE	QTY PER ASSY
12-821	HL77-6		...COLLAR- (V5M902) (SPEC BACC30P6) (OPT HL77-6 (V73197)) (OPT HL77-6 (V92215)) (OPT 66015-6 (V56878)) (OPT HL77-6 (V56878))	AN,AQ ,AS,A U,AW, AY,BA ,BC BE,BG	12
823	315T3121-1		...DUCT ASSY	AN,AQ ,AS,A U,AW, AY,BA ,BC BE,BG	1
825	BACB30MB5	BOLT- (SIZE DETERMINE ON INST)	AN,AQ ,AS,A U,AW, AY,BA ,BC BE,BG	2
827	BACB30JC5A	BOLT- (SIZE DETERMINE ON INST)	AN,AQ ,AS,A U,AW, AY,BA ,BC BE,BG	2

71-11-33

ILLUSTRATED PARTS LIST

01.1 Page 1072W

Jul 01/04

FIG. & ITEM	PART NO.	AIRLINE PART NUMBER	NOMENCLATURE 1234567	EFF CODE	QTY PER ASSY
12-829	HL1187-5	COLLAR- (V5M902) (SPEC BACC30X5) (OPT HL87-5 (V73197)) (OPT HL87-5 (V92215)) (OPT HL86PB5 (V73197)) (OPT HL86PB5 (V56878)) (OPT HL86PB5 (V92215)) (OPT HL1187-5 (V56878)) (OPT HL1187-5 (V92215)) (OPT HL87-5 (V56878)) (OPT HL1187-5 (V73197))	AN,AQ ,AS,A U,AW, AY,BA ,BC BE,BG	4
831	315T3121-7	STIFFENER	AN,AQ ,AS,A U,AW, AY,BA ,BC BE,BG	1
833	315T3121-2	DUCT	AN,AQ ,AS,A U,AW, AY,BA ,BC BE,BG	1

71-11-33

ILLUSTRATED PARTS LIST

01.1 Page 1072X

Jul 01/04


BOEING
 COMPONENT
 MAINTENANCE MANUAL

FIG. & ITEM	PART NO.	AIRLINE PART NUMBER	NOMENCLATURE 1234567	EFF CODE	QTY PER ASSY
12- -835	315T3124-5		..DUCT INSTL-EXH	AN,AQ ,AS,A U,AW, AY,BA ,BC BE,BG	1
837	HL11VAZ6-19		...BOLT- (V60516) (SPEC BACB30NW6K19) (OPT B30NW6K19 (V97928)) (OPT HL11VAZ6-19 (V73197)) (OPT HL11VAZ6-19 (V92215)) (OPT HL11VAZ6-19 (V97928)) (OPT L803-6K19 (V06725)) (OPT HL11VAZ6-19 (V0PTK6)) (OPT HL11VAZ6-19 (V56878))	AN,AQ ,AS,A U,AW, AY,BA ,BC BE,BG	16
839	BACS40R7B10F		...SHIM	AN,AQ ,AS,A U,AW, AY,BA ,BC BE,BG	AR
841	HL97DU6		...COLLAR- (V73197) (SPEC BACC30AB6S) (OPT HL97DU6 (V92215)) (OPT HL97DU6 (V56878))	AN,AQ ,AS,A U,AW, AY,BA ,BC BE,BG	16
843	315T3135-1		...GASKET	AN,AQ ,AS,A U,AW, AY,BA ,BC BE,BG	2

71-11-33

ILLUSTRATED PARTS LIST

01.1 Page 1072Y

Jul 01/04

FIG. & ITEM	PART NO.	AIRLINE PART NUMBER	NOMENCLATURE 1234567	EFF CODE	QTY PER ASSY
12-845	315T3135-2		...GASKET	AN,AQ ,AS,A U,AW, AY,BA ,BC BE,BG	1
847	315T3135-3		...GASKET	AN,AQ ,AS,A U,AW, AY,BA ,BC BE,BG	1
849	NAS514P1032-8P		...SCREW- (LIMITED)	AN,AQ ,AS,A U,AW, AY,BA ,BC BE,BG	8
-849A	NAS514P1032-12P		...SCREW- (LIMITED)	AN,AQ ,AS,A U,AW, AY,BA ,BC BE,BG	8
851	AN960XC10		...WASHER	AN,AQ ,AS,A U,AW, AY,BA ,BC BE,BG	8

71-11-33

ILLUSTRATED PARTS LIST

01.1 Page 1072Z

Jul 01/04


BOEING
 COMPONENT
 MAINTENANCE MANUAL

FIG. & ITEM	PART NO.	AIRLINE PART NUMBER	NOMENCLATURE	EFF CODE	QTY PER ASSY
12-853	BRH10C3		1234567 ...NUT- (V52828) (SPEC BACN10JC3C) (OPT T6C1032J (V11815)) (OPT 97-02 (V80539)) (OPT 101LH9075-3W (V72962)) (OPT VN303B02 (V92215)) (OPT NS202101S02 (V80539)) (OPT H31-3BAC (V15653))	AN,AQ ,AS,A U,AW, AY,BA ,BC BE,BG	8
855	315T3124-7		...SHIM- (LIMITED) (MFD FROM SH AISI 301 7.9 X 7.9 X .100 PER MIL-S-5059)	AN,AQ ,AS,A U,AW, AY,BA ,BC BE,BG	2

71-11-33

ILLUSTRATED PARTS LIST

01.1

Page 1073

Jul 01/04

FIG. & ITEM	PART NO.	AIRLINE PART NUMBER	NOMENCLATURE 1234567	EFF CODE	QTY PER ASSY
12-857	BOE2040		...SEAL- (LIMITED) (BOE2040-0004 I/W BOE2040 AT SURGE BLEED PORT NO 1 BOE2040-0004 I/W BOE2040 TOGETHER WITH 3 EACH 315T3124-7 SHIMS AT SURGE BLEED PORT NO 2 BOE2040-0004 I/W BOE2040 TOGETHER WITH 2 EACH 315T3124-7 SHIMS AT SURGE BLEED PORT NO 4) (V16632) (SPEC S332T308-1)	AN,AQ ,AS,A U,AW, AY,BA ,BC BE,BG	1
-857A	BOE2040-0004		...SEAL- (LIMITED) (BOE2040-0004 I/W BOE2040 AT SURGE BLEED PORT NO 1 BOE2040-0004 I/W BOE2040 TOGETHER WITH 3 EACH 315T3124-7 SHIMS AT SURGE BLEED PORT NO 2 BOE2040-0004 I/W BOE2040 TOGETHER WITH 2 EACH 315T3124-7 SHIMS AT SURGE BLEED PORT NO 4) (V16632) (SPEC S332T308-4)	AN,AQ ,AS,A U,AW, AY,BA ,BC BE,BG	1

71-11-33

ILLUSTRATED PARTS LIST

01.1

Page 1074

Jul 01/04


BOEING
 COMPONENT
 MAINTENANCE MANUAL

FIG. & ITEM	PART NO.	AIRLINE PART NUMBER	NOMENCLATURE 1234567	EFF CODE	QTY PER ASSY
12-859	HL11VAZ6-4		...BOLT- (V60516) (SPEC BACB30NW6K4) (OPT HL11V6-4 (V92215)) (OPT HL11V6-4 (V97928)) (OPT L803-6-4 (V06725)) (OPT B30NW6K4 (V97928)) (OPT HL11VAZ6-4 (V73197)) (OPT HL11VAZ6-4 (V92215)) (OPT HL11VAZ6-4 (V56878))	AN,AQ ,AS,A U,AW, AY,BA ,BC BE,BG	5
861	HL11VAZ6-3		...BOLT- (V60516) (SPEC BACB30NW6K3) (OPT B30NW6K3 (V97928)) (OPT HL11VAZ6-3 (V73197)) (OPT HL11VAZ6-3 (V92215)) (OPT HL11VAZ6-3 (V97928)) (OPT L803-6K3 (V06725)) (OPT HL11VAZ6-3 (V0PTK6)) (OPT HL11VAZ6-3 (V56878))	AN,AQ ,AS,A U,AW, AY,BA ,BC BE,BG	12

71-11-33

ILLUSTRATED PARTS LIST

01.1 Page 1074A

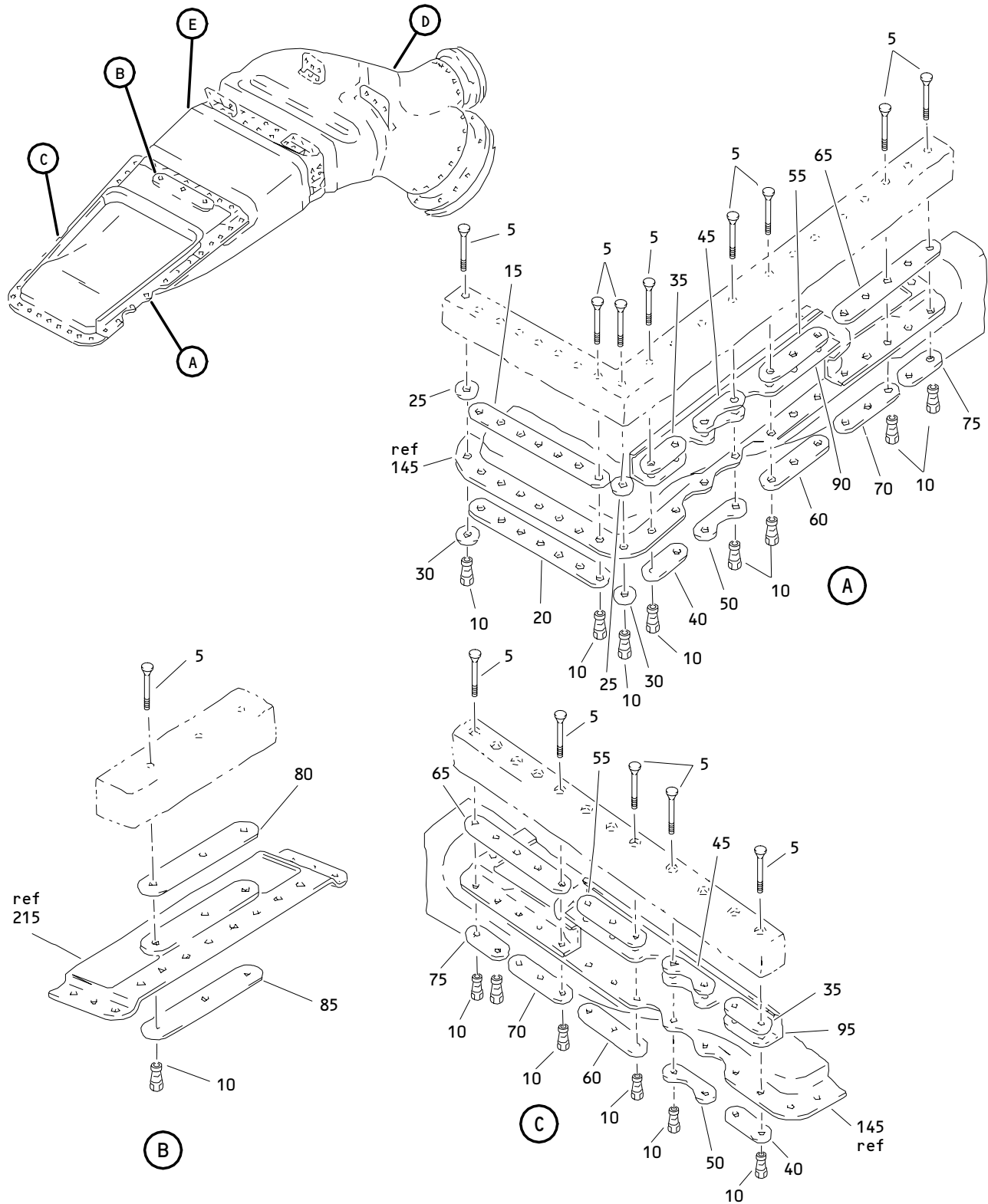
Jul 01/04

FIG. & ITEM	PART NO.	AIRLINE PART NUMBER	NOMENCLATURE 1234567	EFF CODE	QTY PER ASSY
12-863	HL97DU6		...COLLAR- (V73197) (SPEC BACC30AB6S) (OPT HL97DU6 (V92215)) (OPT HL97DU6 (V56878))	AN,AQ ,AS,A U,AW, AY,BA ,BC BE,BG	17
865	315T3123-37		...DUCT ASSY	AN,AQ ,AS,A U,AW, AY,BA ,BC BE,BG AP,AR	1
-867	315T3126-1		..DUCT INSTL-INLET PRECOOLER (USED ON ITEM 277) (FOR DETAILS SEE FIG. 9)	AT,AV ,AX,A Z,BB, BD,BF ,BH	1
-867A	315T3126-41		..DUCT INSTL-INLET PRECOOLER (USED ON ITEM 277A) (FOR DETAILS SEE FIG. 13)		1

- Item Not Illustrated

71-11-33

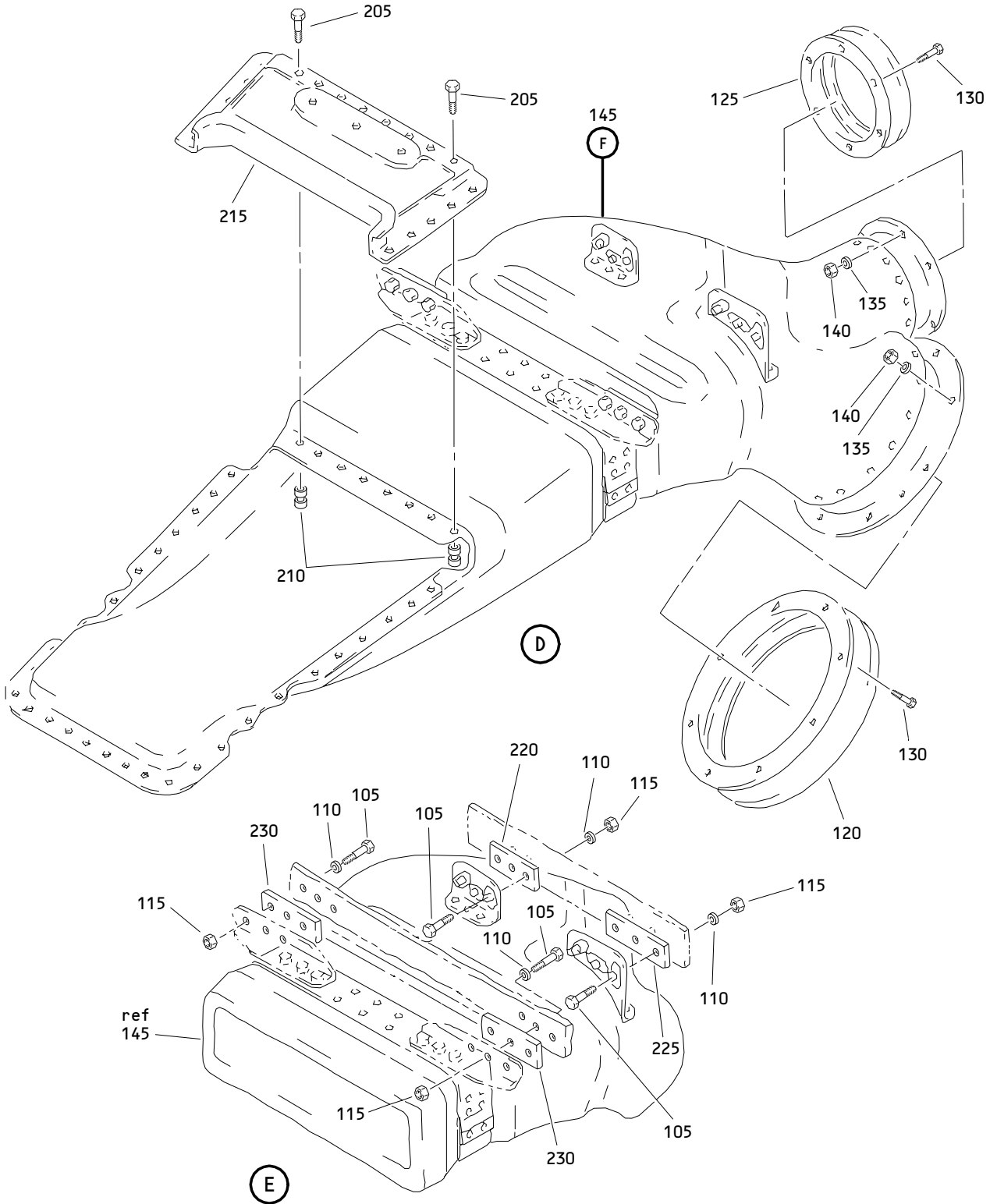
ILLUSTRATED PARTS LIST
 01.1 Page 1074B
 Jul 01/04



**Inlet Precooler Duct Installation
 Figure 13 (Sheet 1)**

71-11-33

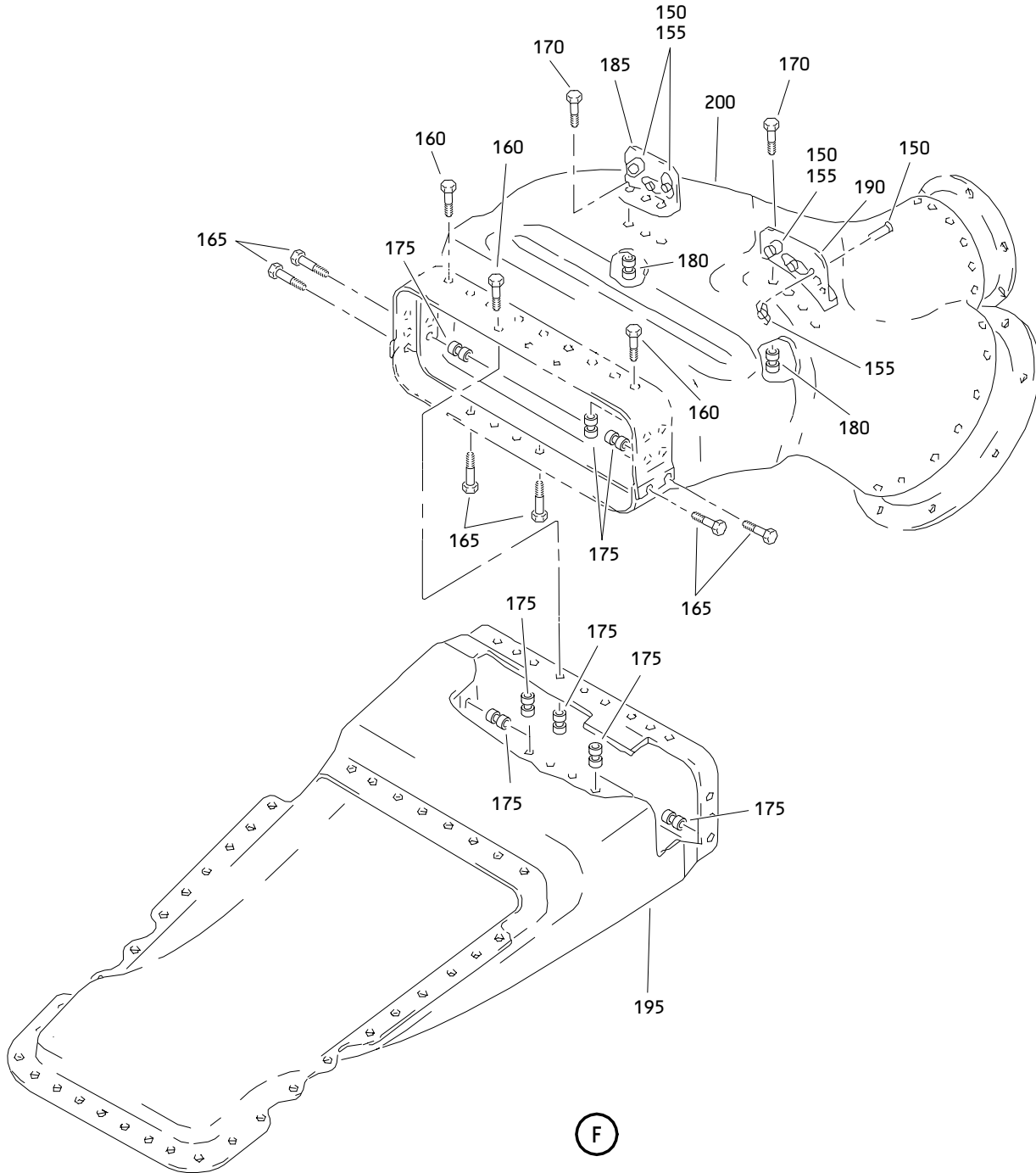
**ILLUSTRATED PARTS LIST
 01.1 Page 1074D
 Jul 01/04**



Inlet Precooler Duct Installation
Figure 13 (Sheet 2)

71-11-33

ILLUSTRATED PARTS LIST
01.1 Page 1074E
Jul 01/04



Inlet Precooler Duct Installation
Figure 13 (Sheet 3)

71-11-33

ILLUSTRATED PARTS LIST
01.1 Page 1074F
Jul 01/04

BOEING
 COMPONENT
 MAINTENANCE MANUAL

FIG. & ITEM	PART NO.	AIRLINE PART NUMBER	NOMENCLATURE 1234567	EFF CODE	QTY PER ASSY
13- -1A	315T3126-41		DUCT INSTL-INLET PRECOOLER	AT,AV ,AX,A Z,BB, BD,BF ,BH	RF
5	BACB30VT6K		.BOLT- (SIZE DETERMINE ON INST)	AT,AV ,AX,A Z,BB, BD,BF ,BH	36
10	HST79CY6		.COLLAR- (V73197) (SPEC BACC30BL6) (OPT HST79-6 (V56878)) (OPT HST79-6 (V92215)) (OPT HST79-6 (V5M902))	AT,AV ,AX,A Z,BB, BD,BF ,BH	36
15	315T3126-7		.SHIM	AT,AV ,AX,A Z,BB, BD,BF ,BH	1
20	315T3126-8		.STRIP-BACKING	AT,AV ,AX,A Z,BB, BD,BF ,BH	1

71-11-33

ILLUSTRATED PARTS LIST
 01.1 Page 1074G
 Jul 01/04

FIG. & ITEM	PART NO.	AIRLINE PART NUMBER	NOMENCLATURE 1234567	EFF CODE	QTY PER ASSY
13-25	315T3126-10		. SHIM	AT,AV ,AX,A Z,BB, BD,BF ,BH	2
30	315T3126-20		. STRIP-BACKING	AT,AV ,AX,A Z,BB, BD,BF ,BH	2
35	315T3126-3		. SHIM	AT,AV ,AX,A Z,BB, BD,BF ,BH	2
40	315T3126-4		. STRIP-BACKING	AT,AV ,AX,A Z,BB, BD,BF ,BH	2
45	315T3126-5		. SHIM	AT,AV ,AX,A Z,BB, BD,BF ,BH	2
50	315T3126-6		. STRIP-BACKING	AT,AV ,AX,A Z,BB, BD,BF ,BH	2

71-11-33

 ILLUSTRATED PARTS LIST
 01.1 Page 1074H
 Jul 01/04


BOEING
 COMPONENT
 MAINTENANCE MANUAL

FIG. & ITEM	PART NO.	AIRLINE PART NUMBER	NOMENCLATURE 1234567	EFF CODE	QTY PER ASSY
13-55	315T3126-15		.SHIM	AT,AV ,AX,A Z,BB, BD,BF ,BH	2
60	315T3126-16		.STRIP-BACKING	AT,AV ,AX,A Z,BB, BD,BF ,BH	2
65	315T3126-17		.SHIM	AT,AV ,AX,A Z,BB, BD,BF ,BH	2
70	315T3126-18		.STRIP-BACKING	AT,AV ,AX,A Z,BB, BD,BF ,BH	2
75	315T3126-19		.STRIP-BACKING	AT,AV ,AX,A Z,BB, BD,BF ,BH	2
80	315T3126-9		.SHIM	AT,AV ,AX,A Z,BB, BD,BF ,BH	1
85	315T3126-21		.STRIP-BACKING	AT,AV ,AX,A Z,BB, BD,BF ,BH	1
90 90A	315T3137-3 315T3137-5		DELETED .MOLDING-INLET	AT,AV ,AX,A Z,BB, BD,BF ,BH	1

71-11-33

ILLUSTRATED PARTS LIST

01.1 Page 1074I

Jul 01/04

FIG. & ITEM	PART NO.	AIRLINE PART NUMBER	NOMENCLATURE 1234567	EFF CODE	QTY PER ASSY
13-95 95A	315T3137-4 315T3137-6		DELETED .MOLDING-INLET	AT,AV ,AX,A Z,BB, BD,BF ,BH	1
100	315T3126-40		.SYSTEM ASSY-INLET	AT,AV ,AX,A Z,BB, BD,BF ,BH	1
105	NAS6703-4		.BOLT	AT,AV ,AX,A Z,BB, BD,BF ,BH	12
110	NAS1149C0332R		.WASHER	AT,AV ,AX,A Z,BB, BD,BF ,BH	12
115	BRH10C3D		.NUT- (V52828) (SPEC BACN10JC3CD) (OPT T6C1032JCD (V11815)) (OPT NS202486-02 (V80539)) (OPT 102LH9075-3W (V72962)) (OPT H51650-3BAC (V15653))	AT,AV ,AX,A Z,BB, BD,BF ,BH	12

71-11-33

ILLUSTRATED PARTS LIST

01.1 Page 1074J

Jul 01/04

BOEING
 COMPONENT
 MAINTENANCE MANUAL

FIG. & ITEM	PART NO.	AIRLINE PART NUMBER	NOMENCLATURE 1234567	EFF CODE	QTY PER ASSY
13-120	BOE2048-0504		..SEAL- (V16632) (SPEC 60B89012-504) (OPT 88B10201-504 (V60980)) (OPT 96D10458-504 (V60980))	AT,AV ,AX,A Z,BB, BD,BF ,BH	1
125	BOE2048-0505		..SEAL- (V16632) (SPEC 60B89012-505)	AT,AV ,AX,A Z,BB, BD,BF ,BH	1
130	BACB30LH3U3		ATTACHING PARTS ..BOLT	AT,AV ,AX,A Z,BB, BD,BF ,BH	14
135	NAS1149C0332R		..WASHER	AT,AV ,AX,A Z,BB, BD,BF ,BH	14
140	BRH10C3		..NUT- (V52828) (SPEC BACN10JC3C) (OPT T6C1032J (V11815)) (OPT 97-02 (V80539)) (OPT 101LH9075-3W (V72962)) (OPT VN303B02 (V92215)) (OPT NS202101S02 (V80539)) (OPT H31-3BAC (V15653)) -----*	AT,AV ,AX,A Z,BB, BD,BF ,BH	14

71-11-33

ILLUSTRATED PARTS LIST
 01.1 Page 1074K
 Jul 01/04

FIG. & ITEM	PART NO.	AIRLINE PART NUMBER	NOMENCLATURE 1234567	EFF CODE	QTY PER ASSY
13- 145 145A	315T3125-66 315T3125-54		DELETED ..DUCT ASSY-INLET	AT,AV ,AX,A Z,BB, BD,BF ,BH	1
150	BACR15CE3D		...RIVET- (SIZE DETERMINE ON INST)	AT,AV ,AX,A Z,BB, BD,BF ,BH	12
155	BRF200C3M		...NUTPLATE- (V52828) (SPEC BACN10JR3CFM) (OPT F5001-3BAC (V15653)) (OPT NS103203SE02 (V80539)) (OPT T8092C1032 (V11815)) (OPT VN152D1-02 (V92215)) (OPT 109F9201-3 (V72962))	AT,AV ,AX,A Z,BB, BD,BF ,BH	6
160	BACB30MY5K		...BOLT- (SIZE DETERMINE ON INST)	AT,AV ,AX,A Z,BB, BD,BF ,BH	16
165	HL10VAZ5-4		...BOLT- (V60516) (SPEC BACB30MY5K4) (OPT B30MY5K4 (V97928))	AT,AV ,AX,A Z,BB, BD,BF ,BH	4

71-11-33

 ILLUSTRATED PARTS LIST
 01.1 Page 1074L
 Jul 01/04

BOEING
 COMPONENT
 MAINTENANCE MANUAL

FIG. & ITEM	PART NO.	AIRLINE PART NUMBER	NOMENCLATURE 1234567	EFF CODE	QTY PER ASSY
13-170	BACB30NX5K		...BOLT- (SIZE DETERMINE ON INST)	AT,AV ,AX,A Z,BB, BD,BF ,BH	7
175	HL70-5		...COLLAR- (V5M902) (SPEC BACC30M5) (OPT HL70-5 (V73197)) (OPT HL70-5 (V92215)) (OPT 66014-5 (V56878)) (OPT HL70-5 (V56878))	AT,AV ,AX,A Z,BB, BD,BF ,BH	20
180	HL1187-5		...COLLAR- (V5M902) (SPEC BACC30X5) (OPT HL87-5 (V73197)) (OPT HL87-5 (V92215)) (OPT HL86PB5 (V73197)) (OPT HL86PB5 (V56878)) (OPT HL86PB5 (V92215)) (OPT HL1187-5 (V56878)) (OPT HL1187-5 (V92215)) (OPT HL87-5 (V56878)) (OPT HL1187-5 (V73197))	AT,AV ,AX,A Z,BB, BD,BF ,BH	7
185	315T3239-5		...BRACKET	AT,AV ,AX,A Z,BB, BD,BF ,BH	1

71-11-33

ILLUSTRATED PARTS LIST
 01.1 Page 1074M
 Jul 01/04

FIG. & ITEM	PART NO.	AIRLINE PART NUMBER	NOMENCLATURE 1234567	EFF CODE	QTY PER ASSY
13-190	315T3239-4		...BRACKET	AT,AV ,AX,A Z,BB, BD,BF ,BH	1
195	315T3125-51		...BOND ASSY	AT,AV ,AX,A Z,BB, BD,BF ,BH	1
200	315T3125-65		...BOND ASSY	AT,AV ,AX,A Z,BB, BD,BF ,BH	1
205	L8055A		..BOLT- (V06725) (SPEC BACB30FM5A) (OPT HL18-5A (V06725)) (SIZE DETERMINE ON INST)	AT,AV ,AX,A Z,BB, BD,BF ,BH	8
210	HL97DU5		..COLLAR- (V73197) (SPEC BACC30AB5S) (OPT HL97DU5 (V92215)) (OPT HL97DU5 (V56878))	AT,AV ,AX,A Z,BB, BD,BF ,BH	8
215 215A	315T3136-5 315T3136-6		DELETED ..BOND ASSY-LIP	AT,AV ,AX,A Z,BB, BD,BF ,BH	1

71-11-33

ILLUSTRATED PARTS LIST

01.1 Page 1074N

Jul 01/04


BOEING
 COMPONENT
 MAINTENANCE MANUAL

FIG. & ITEM	PART NO.	AIRLINE PART NUMBER	NOMENCLATURE 1234567	EFF CODE	QTY PER ASSY
13-220	BACS40R009B031F		.SHIM	AT,AV ,AX,A Z,BB, BD,BF ,BH	AR
225	BACS40R009B041F		.SHIM	AT,AV ,AX,A Z,BB, BD,BF ,BH	AR
230	BACS40R009B030F		.SHIM	AT,AV ,AX,A Z,BB, BD,BF ,BH	AR

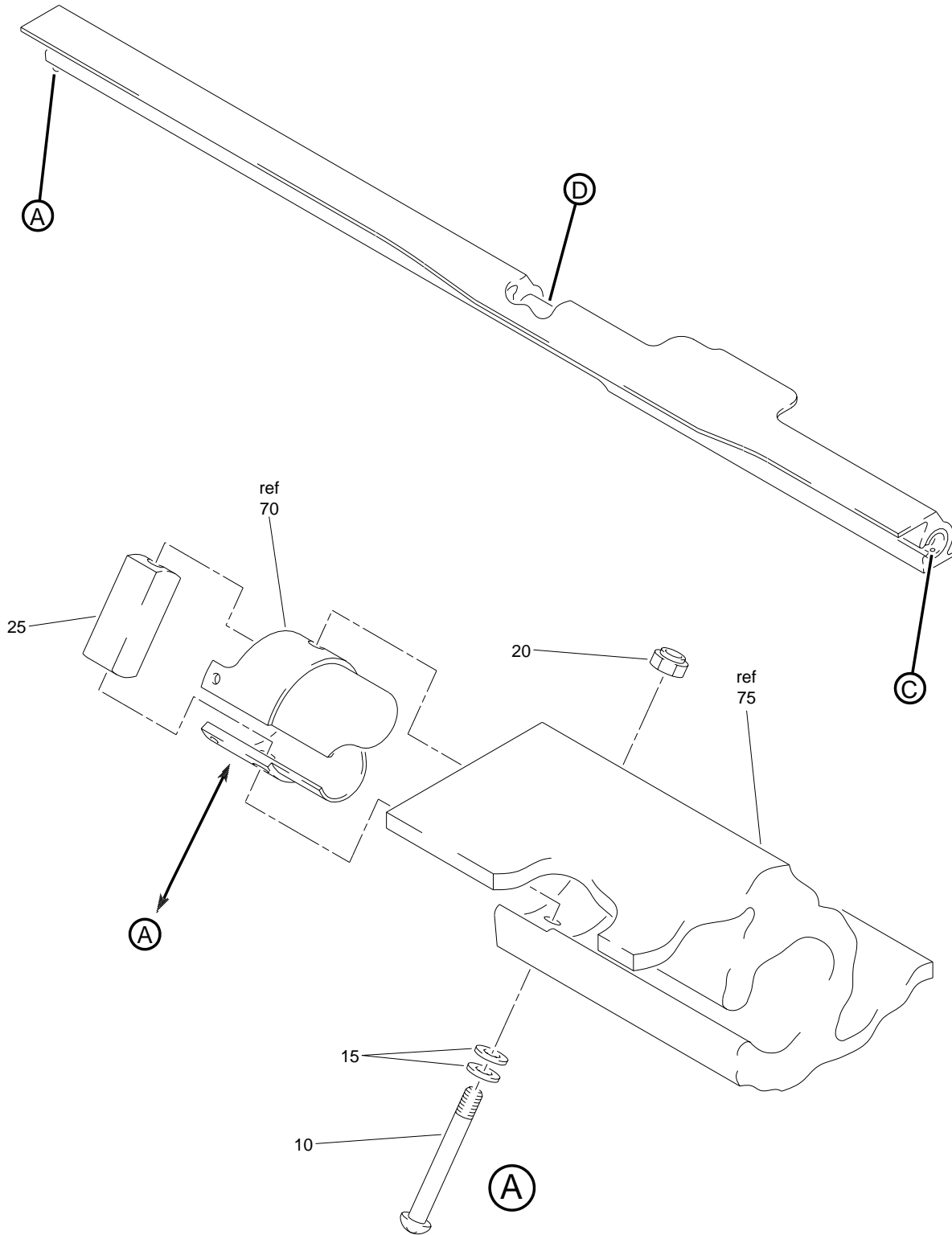
- Item Not Illustrated

71-11-33

ILLUSTRATED PARTS LIST

01.1 Page 10740

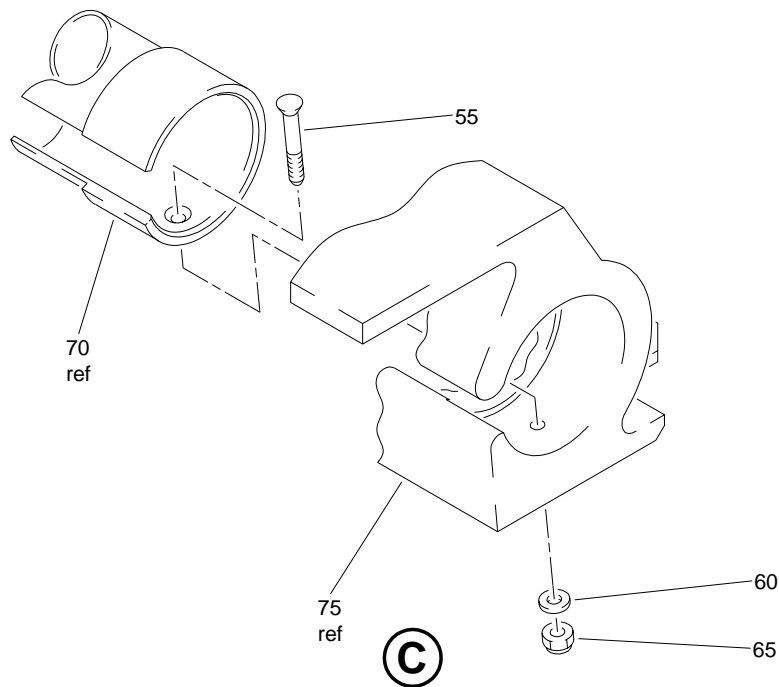
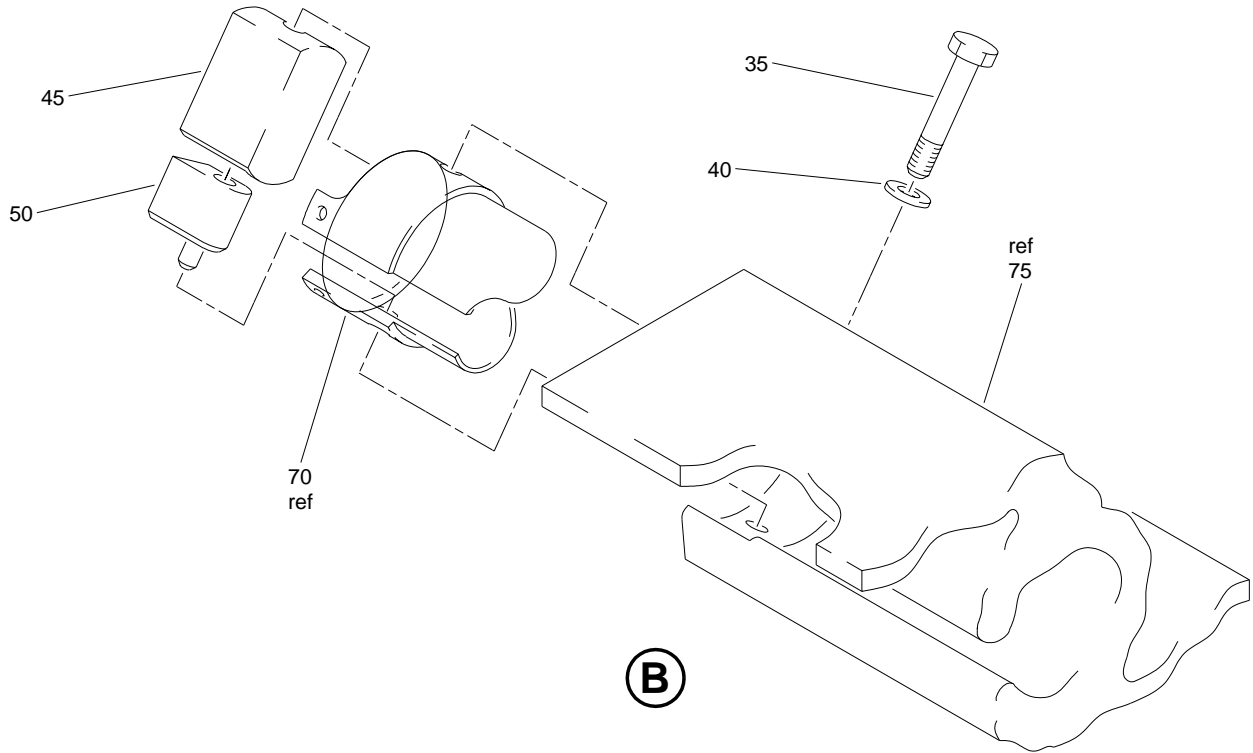
Jul 01/04



Lower Bifurcation Track Assembly
Figure 14 (Sheet 1)

71-11-33

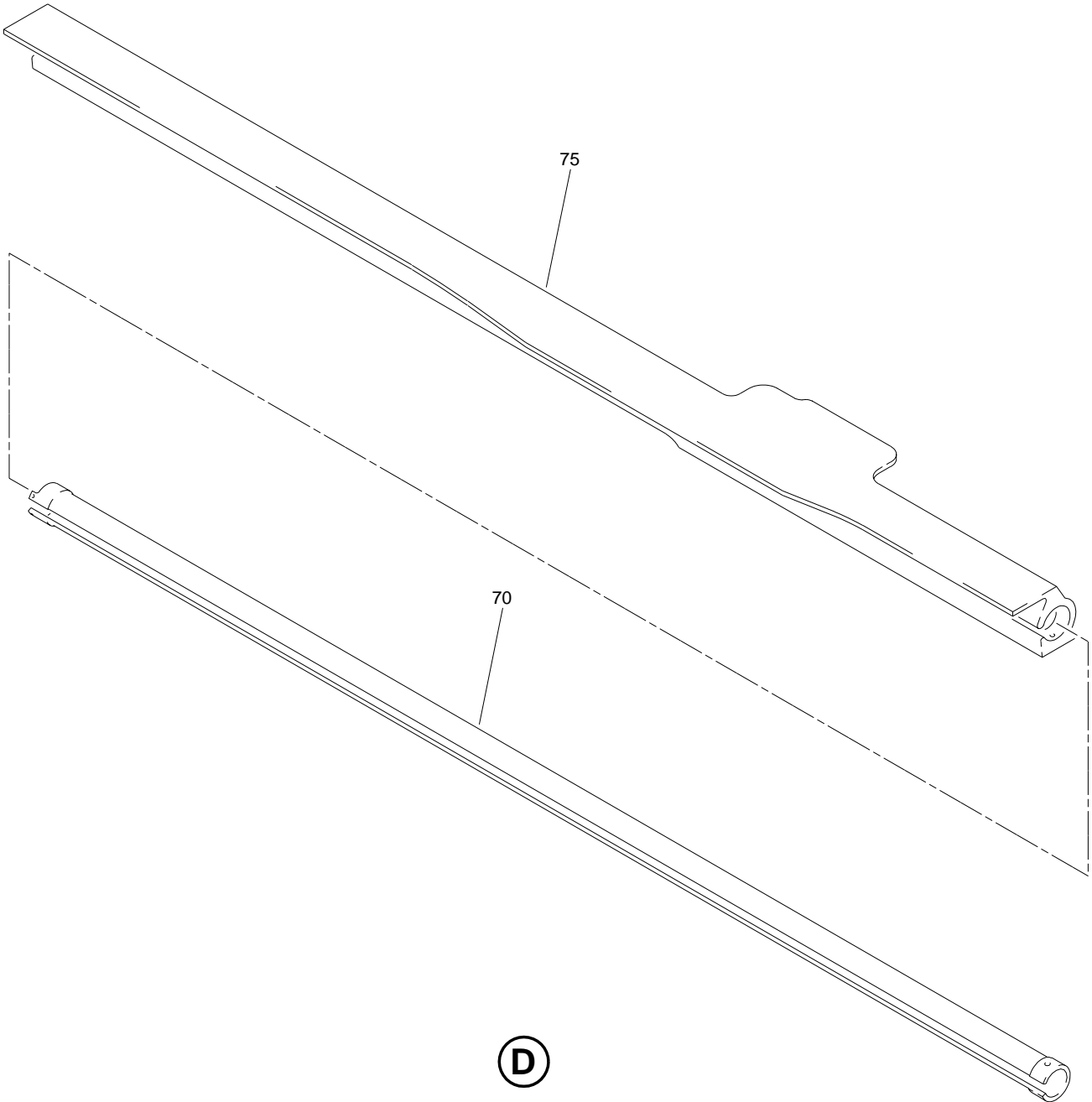
ILLUSTRATED PARTS LIST
01.1 Page 1074P
Jul 01/04



Lower Bifurcation Track Assembly
Figure 14 (Sheet 2)

71-11-33

ILLUSTRATED PARTS LIST
01.1 Page 1074Q
Jul 01/04



Lower Bifurcation Track Assembly
Figure 14 (Sheet 3)

71-11-33

ILLUSTRATED PARTS LIST
01.1 Page 1074R
Jul 01/04

BOEING
 COMPONENT
 MAINTENANCE MANUAL

FIG. & ITEM	PART NO.	AIRLINE PART NUMBER	NOMENCLATURE	EFF CODE	QTY PER ASSY
14- -1A	315T3402-12		1234567 TRACK ASSY-LWR BIFURCATION	E, F, H , L, N-R, T , V, Y, Z, AC, AD AG, AH , AK, A M, AP, AR, AT , AV AX, AZ , BB, B D, BF, BH	RF
-5	315T3402-13		.KIT-SUBSTITUTION (OPT ITEM 30)	E, F, H , L, N-R, T , V, Y, Z, AC, AD AG, AH , AK, A M, AP, AR, AT , AV AX, AZ , BB, B D, BF, BH	1
10	NAS623-3-26		..SCREW	E, F, H , L, N-R, T , V, Y, Z, AC, AD AG, AH , AK, A M, AP, AR, AT , AV AX, AZ , BB, B D, BF, BH	1

71-11-33

ILLUSTRATED PARTS LIST
 01.1 Page 1074S
 Jul 01/04

FIG. & ITEM	PART NO.	AIRLINE PART NUMBER	NOMENCLATURE	EFF CODE	QTY PER ASSY
14-15	AN960PD10L		..WASHER	E, F, H L, N-R, T V, Y, Z, AC, AD AG, AH AK, A M, AP, AR, AT AV AX, AZ BB, B D, BF, BH	2
20	H10-3BAC		..NUT- (V15653) (SPEC BACN10JC3) (OPT NS202101-02 (V80539)) (OPT RMLH9075-3W (V72962)) (OPT VN303A02 (V92215)) (OPT 96-02 (V80539)) (OPT BRH10A3 (V52828)) (OPT T6S1032J (V11815))	E, F, H L, N-R, T V, Y, Z, AC, AD AG, AH AK, A M, AP, AR, AT AV AX, AZ BB, B D, BF, BH	1
25	315T3317-1		..RETAINER-LINER	E, F, H L, N-R, T V, Y, Z, AC, AD AG, AH AK, A M, AP, AR, AT AV AX, AZ BB, B D, BF, BH	1

71-11-33

ILLUSTRATED PARTS LIST

01.1 Page 1074T

Jul 01/04

BOEING
 COMPONENT
 MAINTENANCE MANUAL

FIG. & ITEM	PART NO.	AIRLINE PART NUMBER	NOMENCLATURE	EFF CODE	QTY PER ASSY
14-30	315T3402-14		.KIT-SUBSTITUTION (OPT ITEM 5)	E, F, H , L, N-R, T , V, Y, Z, AC, AD AG, AH , AK, A M, AP, AR, AT , AV AX, AZ , BB, B D, BF, BH	1
35	BACB30LM3H15		..BOLT	E, F, H , L, N-R, T , V, Y, Z, AC, AD AG, AH , AK, A M, AP, AR, AT , AV AX, AZ , BB, B D, BF, BH	1
40	AN960PD10L		..WASHER	E, F, H , L, N-R, T , V, Y, Z, AC, AD AG, AH , AK, A M, AP, AR, AT , AV AX, AZ , BB, B D, BF, BH	1

71-11-33

ILLUSTRATED PARTS LIST
 01.1 Page 1074U
 Jul 01/04

FIG. & ITEM	PART NO.	AIRLINE PART NUMBER	NOMENCLATURE	EFF CODE	QTY PER ASSY
14-45	315T3257-1		1234567 ..RETAINER	E, F, H , L, N-R, T , V, Y, Z, AC, AD AG, AH , AK, A M, AP, AR, AT , AV AX, AZ , BB, B D, BF, BH	1
50	315T3257-2		..PIN	E, F, H , L, N-R, T , V, Y, Z, AC, AD AG, AH , AK, A M, AP, AR, AT , AV AX, AZ , BB, B D, BF, BH	1

71-11-33

 ILLUSTRATED PARTS LIST
 01.1 Page 1074V
 Jul 01/04

 **BOEING**
 COMPONENT
 MAINTENANCE MANUAL

FIG. & ITEM	PART NO.	AIRLINE PART NUMBER	NOMENCLATURE 1234567	EFF CODE	QTY PER ASSY
14-55	HL19PB5-5		.BOLT- (V60516) (SPEC BACB30FN5-5) (OPT HL19PB5-5 (V73197)) (OPT HL19PB5-5 (V92215)) (OPT HL19PB5-5 (V97928)) (OPT 62547-5-5 (V56878)) (OPT HL19PB5-5 (V80539)) (OPT HL19PB5-5 (V08524)) (OPT HL19-5-5 (V06725)) (OPT L839-5-5 (V06725)) (OPT HL19PB5-5 (V56878))	E,F,H ,L, N-R,T ,V,Y, Z,AC, AD AG,AH ,AK,A M,AP, AR,AT ,AV AX,AZ ,BB,B D,BF, BH	1
60	AN960KD8		.WASHER	E,F,H ,L, N-R,T ,V,Y, Z,AC, AD AG,AH ,AK,A M,AP, AR,AT ,AV AX,AZ ,BB,B D,BF, BH	1

71-11-33

ILLUSTRATED PARTS LIST
 01.1 Page 1074W
 Jul 01/04

FIG. & ITEM	PART NO.	AIRLINE PART NUMBER	NOMENCLATURE	EFF CODE	QTY PER ASSY
14-65	H10-08BAC		1234567 .NUT- (V15653) (SPEC BACN10JC08) (OPT NS202101-82 (V80539)) (OPT RMLH9075-82W (V72962)) (OPT VN303A82 (V92215)) (OPT 96-82 (V80539)) (OPT BRH10A08 (V52828)) (OPT T6S832J (V11815))	E, F, H , L, N-R, T , V, Y, Z, AC, AD AG, AH , AK, A M, AP, AR, AT , AV AX, AZ , BB, B D, BF, BH	1
70	315T3415-16		.LINER	E, F, H , L, N-R, T , V, Y, Z, AC, AD AG, AH , AK, A M, AP, AR, AT , AV AX, AZ , BB, B D, BF, BH	1

71-11-33

 ILLUSTRATED PARTS LIST
 01.1 Page 1074X
 Jul 01/04


BOEING
 COMPONENT
 MAINTENANCE MANUAL

FIG. & ITEM	PART NO.	AIRLINE PART NUMBER	NOMENCLATURE 1234567	EFF CODE	QTY PER ASSY
14- 75	315T3402-3		.TRACK	E,F,H ,L, N-R,T ,V,Y, Z,AC, AD AG,AH ,AK,A M,AP, AR,AT ,AV AX,AZ ,BB,B D,BF, BH	1

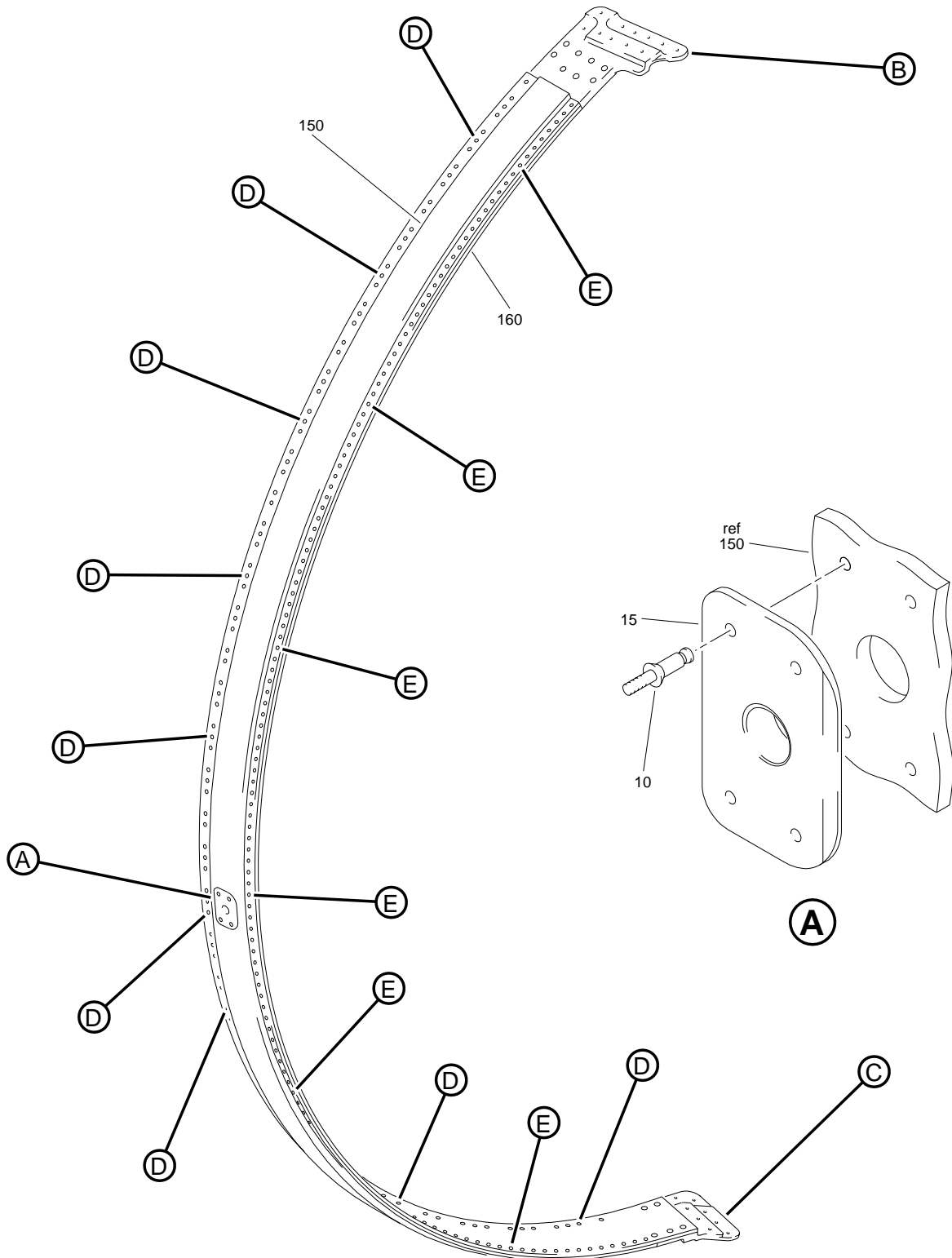
- Item Not Illustrated

71-11-33

ILLUSTRATED PARTS LIST

01.1 Page 1074Y

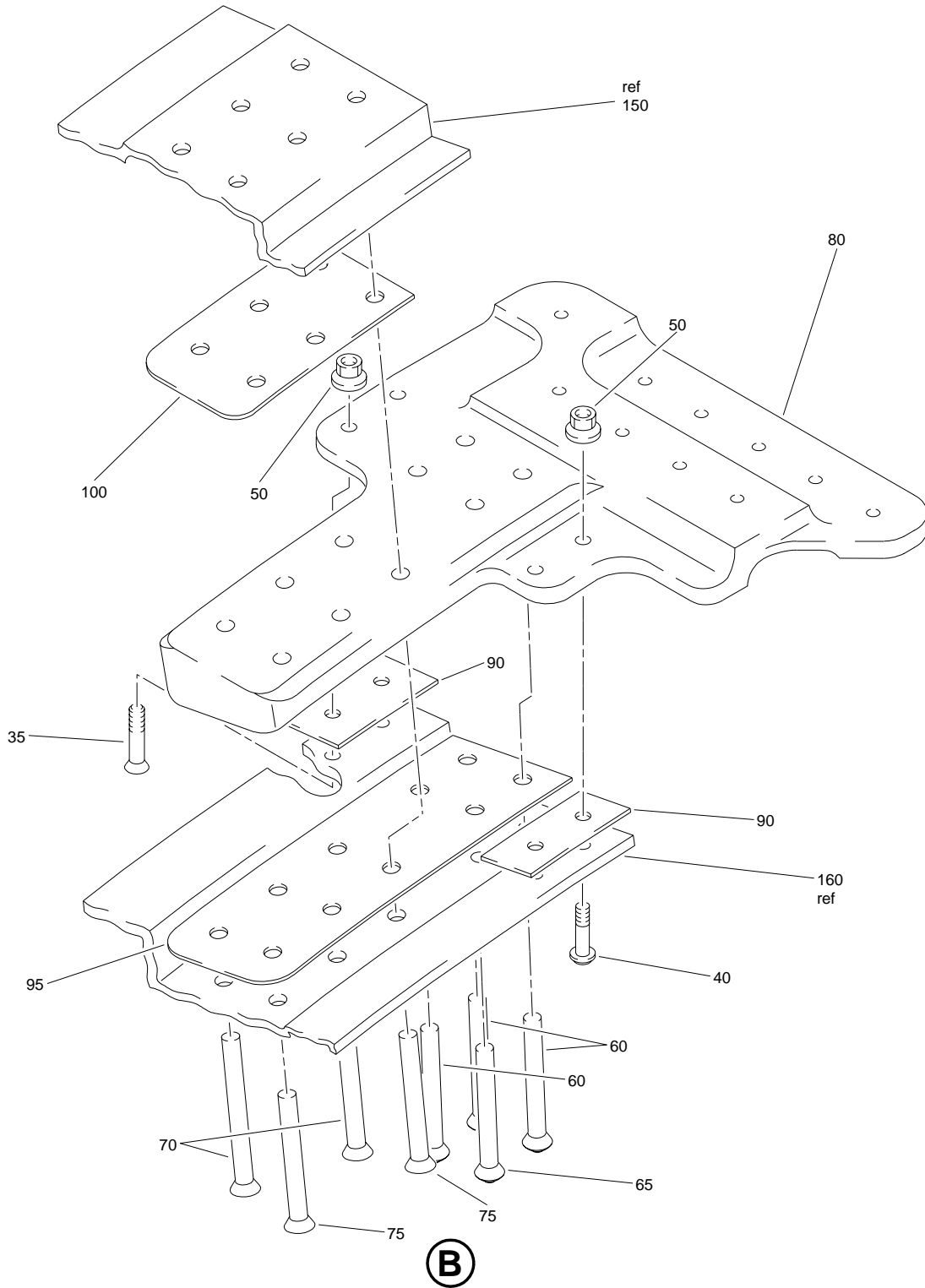
Jul 01/04



Aft Cascade Ring Assembly
Figure 15 (Sheet 1)

71-11-33

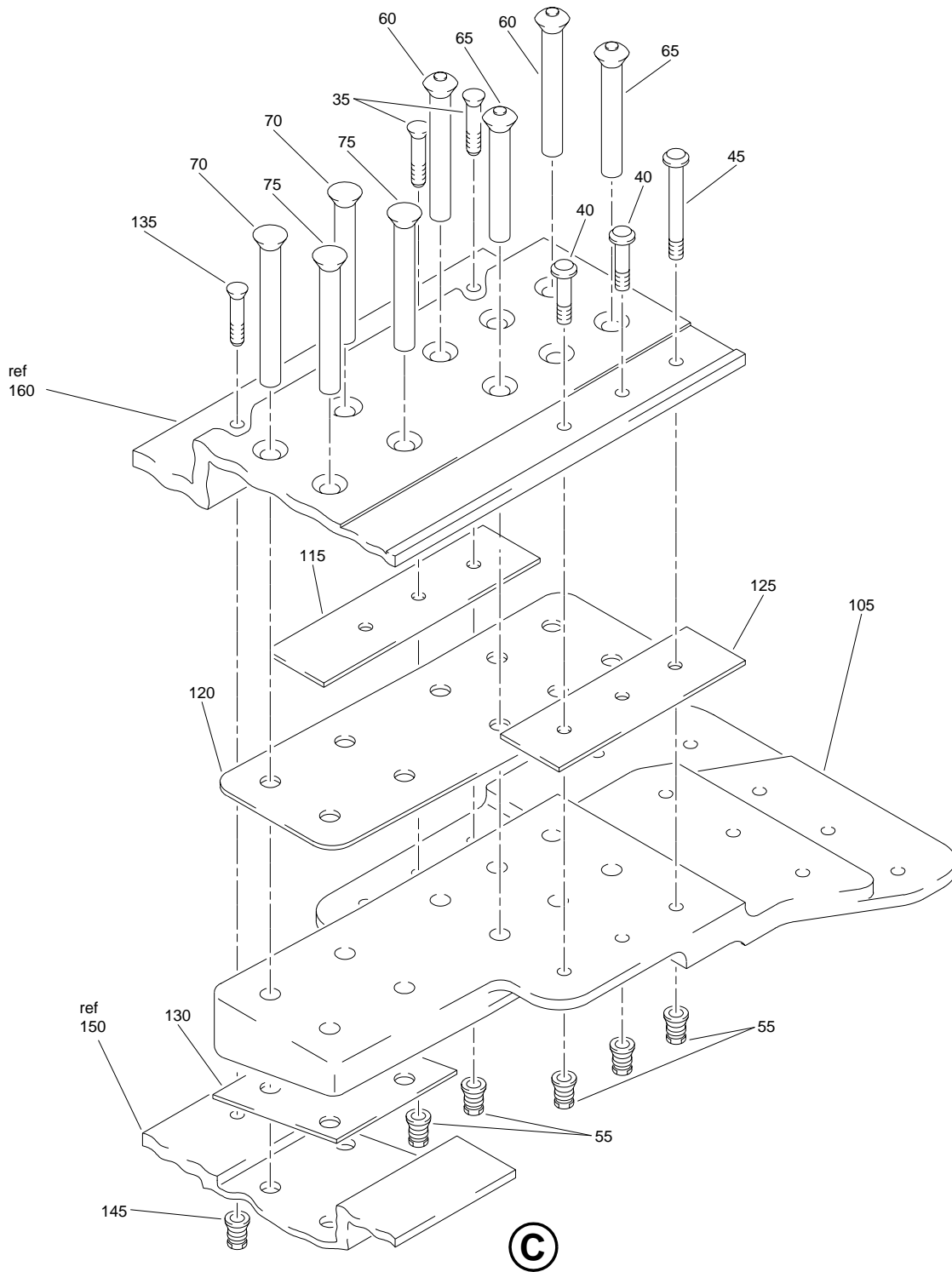
ILLUSTRATED PARTS LIST
01.1 Page 1075
Jul 01/04



Aft Cascade Ring Assembly
 Figure 15 (Sheet 2)

71-11-33

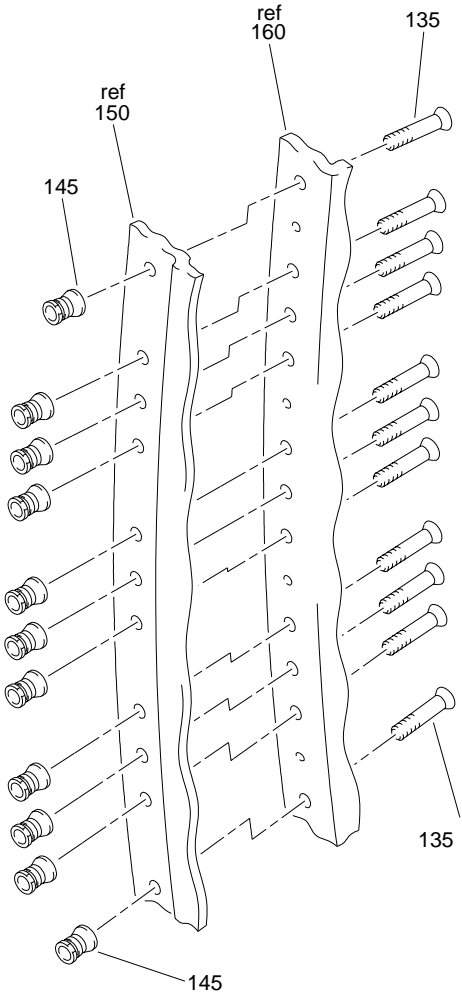
ILLUSTRATED PARTS LIST
 01.1 Page 1076
 Jul 01/04



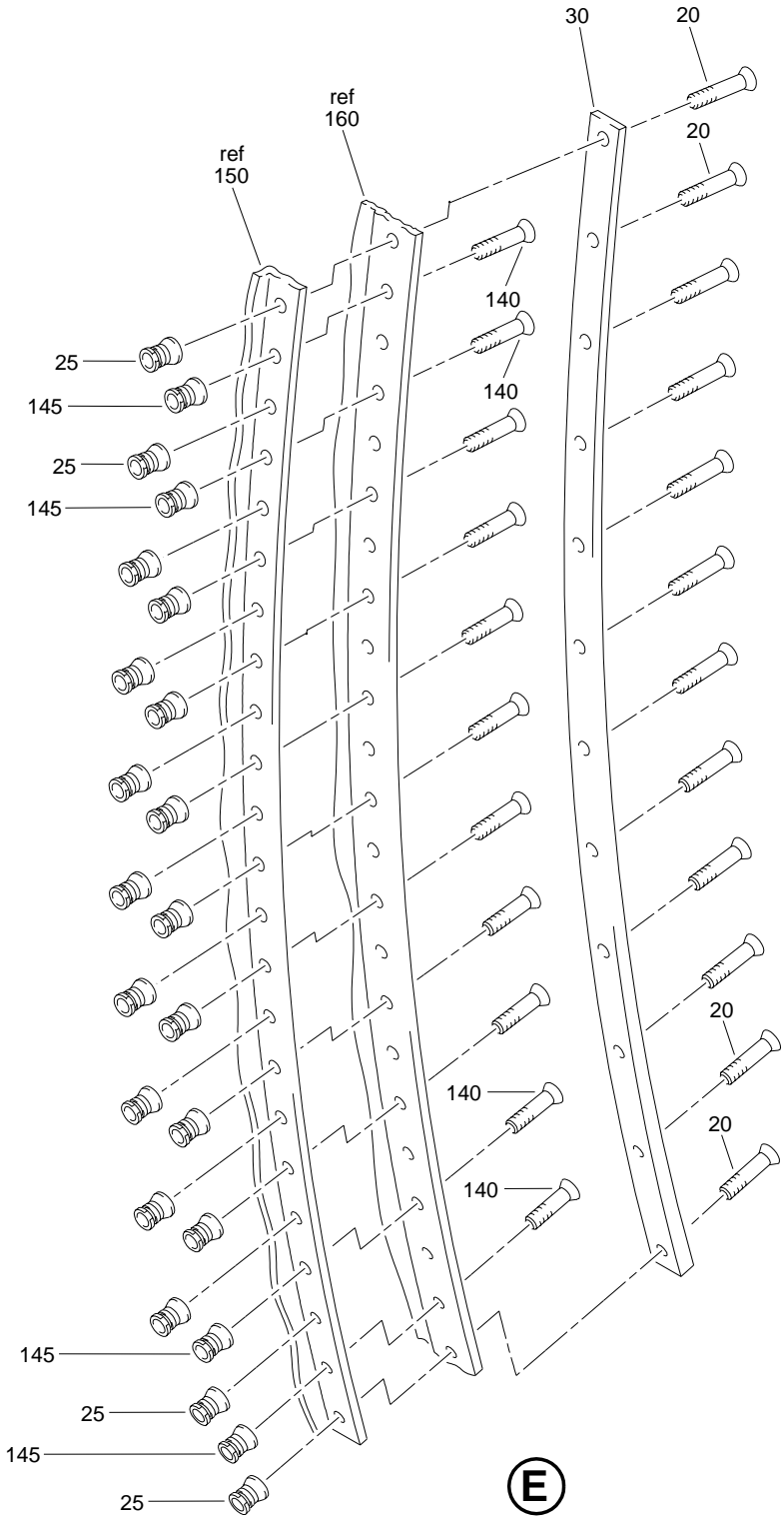
Aft Cascade Ring Assembly
Figure 15 (Sheet 3)

71-11-33

ILLUSTRATED PARTS LIST
01.1 Page 1076A
Jul 01/04



D



E

**Aft Cascade Ring Assembly
 Figure 15 (Sheet 4)**

71-11-33

**ILLUSTRATED PARTS LIST
 01.1 Page 1076B
 Jul 01/04**


BOEING
 COMPONENT
 MAINTENANCE MANUAL

FIG. & ITEM	PART NO.	AIRLINE PART NUMBER	NOMENCLATURE 1234567	EFF CODE	QTY PER ASSY
15- -1A	315T3204-21		RING ASSY-CACADE SPRT, AFT (POST SB 767-78A0089)	A-D,G ,J,K, M,S,U ,W,X, AA,AB AE,AF ,AJ,A L,AN, AQ,AS ,AU AW,AY ,BA,B C,BE, BG	RF
-5	315T3204-22		RING ASSY-CACADE SPRT, AFT (POST SB 767-78A0089)	E,F,H ,L, N-R,T ,V,Y, Z,AC, AD AG,AH ,AK,A M,AP, AR,AT ,AV AX,AZ ,BB,B D,BF, BH	RF
10	BACR15FP5MPR		.RIVET- (SIZE DETERMINE ON INST)		4
15	315T3222-9		.BUSHING		1

71-11-33

 ILLUSTRATED PARTS LIST
 01.1 Page 1076C
 Jul 01/04

FIG. & ITEM	PART NO.	AIRLINE PART NUMBER	NOMENCLATURE 1234567	EFF CODE	QTY PER ASSY
15-20	HL13VAZ6-4		.BOLT- (V56878) (SPEC BACB30NY6K4) (OPT HL13VAZ6-4 (V73197)) (OPT HL13VAZ6-4 (V92215)) (OPT HL13VAZ6-4 (V97928)) (OPT L801-6K4 (V06725)) (OPT HL13VAZ6-4 (V60516)) (OPT L801-6K4 (V0PTK6)) (OPT HL13VAZ6-4 (V17446))		72
25	HL79-6		.COLLAR- (V5M902) (SPEC BACC30M6) (OPT HL79-6 (V73197)) (OPT HL79-6 (V92215)) (OPT 66014-6 (V56878)) (OPT HL79-6 (V56878))		72
30	315T3220-1		.STRIP-RUB		6

71-11-33

ILLUSTRATED PARTS LIST

01.1 Page 1076D

Jul 01/04


BOEING
 COMPONENT
 MAINTENANCE MANUAL

FIG. & ITEM	PART NO.	AIRLINE PART NUMBER	NOMENCLATURE 1234567	EFF CODE	QTY PER ASSY
15-35	HL11VAZ6-5		.BOLT- (V60516) (SPEC BACB30NW6K5) (OPT B30NW6K5 (V97928)) (OPT HL11VAZ6-5 (V73197)) (OPT HL11VAZ6-5 (V92215)) (OPT HL11VAZ6-5 (V97928)) (OPT L803-6K5 (V06725)) (OPT HL11VAZ6-5 (V0PTK6)) (OPT HL11VAZ6-5 (V56878))		4
40	HL10VAZ6-4		.BOLT- (V60516) (SPEC BACB30MY6K4)		4
45	HL10VAZ6-10		.BOLT- (V60516) (SPEC BACB30MY6K10)		1
50	BACN10YT3CS		.NUT		4
55	HL79-6		.COLLAR- (V5M902) (SPEC BACC30M6) (OPT HL79-6 (V73197)) (OPT HL79-6 (V92215)) (OPT 66014-6 (V56878)) (OPT HL79-6 (V56878))		5

71-11-33

 ILLUSTRATED PARTS LIST
 01.1 Page 1076E
 Jul 01/04

FIG. & ITEM	PART NO.	AIRLINE PART NUMBER	NOMENCLATURE	EFF CODE	QTY PER ASSY
15-60	BACR15CE8KE20		.RIVET		6
65	BACR15CE8KE17		.RIVET		4
70	BACR15BA8KE22C		.RIVET		5
75	BACR15BA8KE19C		.RIVET		5
80	315T4216-5		.FITTING-ATTACH, UPR	A-D,G ,J,K, M,S,U ,W,X, AA,AB AE,AF ,AJ,A L,AN, AQ,AS ,AU AW,AY ,BA,B C,BE, BG	1
-85	315T4216-6		.FITTING-ATTACH, UPR	E,F,H ,L, N-R,T ,V,Y, Z,AC, AD AG,AH ,AK,A M,AP, AR,AT ,AV AX,AZ ,BB,B D,BF, BH	1

71-11-33

ILLUSTRATED PARTS LIST

01.1 Page 1076F

Jul 01/04

BOEING
 COMPONENT
 MAINTENANCE MANUAL

FIG. & ITEM	PART NO.	AIRLINE PART NUMBER	NOMENCLATURE	EFF CODE	QTY PER ASSY
15-90	BACS40R011B028F		.SHIM		AR
95	BACS40R022C058F		.SHIM		AR
100	BACS40R021B035F		.SHIM		AR
105	315T4203-7		.FITTING-ATTACH, LWR (OPT ITEM 105A)	A-D,G ,J,K, M,S,U ,W,X, AA,AB AE,AF ,AJ,A L,AN, AQ,AS ,AU AW,AY ,BA,B C,BE, BG	1
-105A	315T4203-9		.FITTING-ATTACH, LWR (OPT ITEM 105)	A-D,G ,J,K, M,S,U ,W,X, AA,AB AE,AF ,AJ,A L,AN, AQ,AS ,AU AW,AY ,BA,B C,BE, BG	1

71-11-33

ILLUSTRATED PARTS LIST
 01.1 Page 1076G
 Jul 01/04

FIG. & ITEM	PART NO.	AIRLINE PART NUMBER	NOMENCLATURE 1234567	EFF CODE	QTY PER ASSY
15- -110	315T4203-8		.FITTING-ATTACH, LWR (OPT ITEM 110A)	E, F, H , L, N-R, T , V, Y, Z, AC, AD AG, AH , AK, A M, AP, AR, AT , AV AX, AZ , BB, B D, BF, BH	1
-110A	315T4203-10		.FITTING-ATTACH, LWR (OPT ITEM 110)	E, F, H , L, N-R, T , V, Y, Z, AC, AD AG, AH , AK, A M, AP, AR, AT , AV AX, AZ , BB, B D, BF, BH	1

71-11-33

 ILLUSTRATED PARTS LIST
 01.1 Page 1076H
 Jul 01/04

BOEING
 COMPONENT
 MAINTENANCE MANUAL

FIG. & ITEM	PART NO.	AIRLINE PART NUMBER	NOMENCLATURE 1234567	EFF CODE	QTY PER ASSY
15-					
115	BACS40R011C033F		.SHIM		AR
120	BACS40R022C065F		.SHIM		AR
125	BACS40R011B033F		.SHIM		AR
130	BACS40R021B029F		.SHIM		AR
135	HL11VAZ6-5		.BOLT- (V60516) (SPEC BACB30NW6K5) (OPT B30NW6K5 (V97928)) (OPT HL11VAZ6-5 (V73197)) (OPT HL11VAZ6-5 (V92215)) (OPT HL11VAZ6-5 (V97928)) (OPT L803-6K5 (V06725)) (OPT HL11VAZ6-5 (V0PTK6)) (OPT HL11VAZ6-5 (V56878))		100
140	HL11VAZ6-3		.BOLT- (V60516) (SPEC BACB30NW6K3) (OPT B30NW6K3 (V97928)) (OPT HL11VAZ6-3 (V73197)) (OPT HL11VAZ6-3 (V92215)) (OPT HL11VAZ6-3 (V97928)) (OPT L803-6K3 (V06725)) (OPT HL11VAZ6-3 (V0PTK6)) (OPT HL11VAZ6-3 (V56878))		66

71-11-33

ILLUSTRATED PARTS LIST
 01.1 Page 1076I
 Jul 01/04

FIG. & ITEM	PART NO.	AIRLINE PART NUMBER	NOMENCLATURE 1234567	EFF CODE	QTY PER ASSY
15-145	HL79-6		.COLLAR- (V5M902) (SPEC BACC30M6) (OPT HL79-6 (V73197)) (OPT HL79-6 (V92215)) (OPT 66014-6 (V56878)) (OPT HL79-6 (V56878))		166
150	315T3224-9		.SEGMENT-RING, OUTER	A-D,G ,J,K, M,S,U ,W,X, AA,AB AE,AF ,AJ,A L,AN, AQ,AS ,AU AW,AY ,BA,B C,BE, BG E,F,H ,L, N-R,T ,V,Y, Z,AC, AD AG,AH ,AK,A M,AP, AR,AT ,AV AX,AZ ,BB,B D,BF, BH	1
-155	315T3224-10		.SEGMENT-RING, OUTER		1
160	315T3223-5		.RING-INNER		1

- Item Not Illustrated

71-11-33

 ILLUSTRATED PARTS LIST
 01.1 Page 1076J
 Jul 01/04